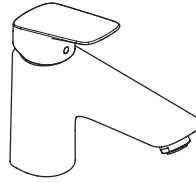
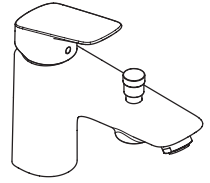


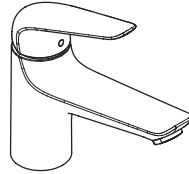
EN Instructions for use / Assembly instructions



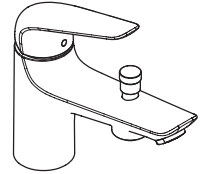
Logis
71311000



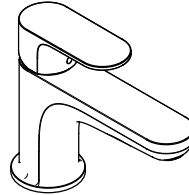
Logis
71312000



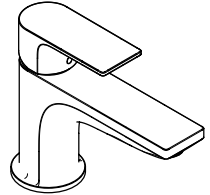
Novus
71322000



Novus
71321000



Rebris S
72434000



Rebris E
72435000



Safety Notes

- △ Gloves should be worn during installation to prevent crushing and cutting injuries.
- △ The hot and cold supplies must be of equal pressures.

Installation Instructions

- Prior to installation, inspect the product for transport damages. After it has been installed, no transport or surface damage will be honoured.
- The pipes and the fixture must be installed, flushed and tested as per the applicable standards.
- The plumbing codes applicable in the respective countries must be observed.
- There must be an access door for maintenance.

Technical Data

Operating pressure: max. 1 MPa
 Recommended operating pressure: 0,1 - 0,5 MPa
 Test pressure: 1,6 MPa
 (1 MPa = 10 bar = 147 PSI)

Hot water temperature: max. 60°C

Thermal disinfection: 70°C / 4 min

The product is exclusively designed for drinking water!

Symbol description



Do not use silicone containing acetic acid!



Adjustment (see page 36)

To adjust the hot water limiter. Using a hot water limiter in combination with a continuous flow water heater is not recommended.



Dimensions (see page 37)



Flow diagram (see page 37)



Spare parts (see page 40)



Cleaning (see page 43)



Operation (see page 42)



Test certificate (see page 44)

Fault

Cause

Remedy

Insufficient water

- Shower filter seal dirty

- Clean filter seal between shower and hose

Mixer stiff

- Cartridge defective, calcified

- Exchange cartridge

Mixer dripping

- Cartridge defective

- Exchange cartridge

Hot water temperature too low

- Hot water limiter incorrectly set

- Set hot water limiter

Instantaneous heater didn't work

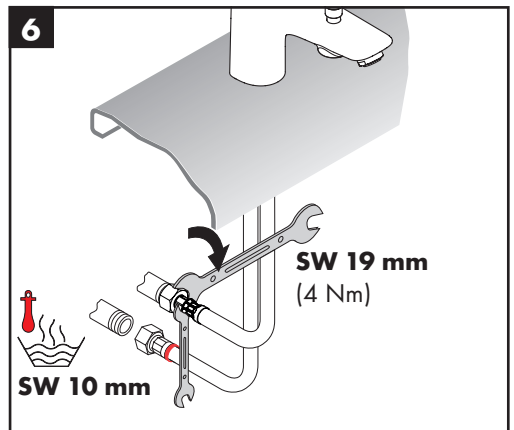
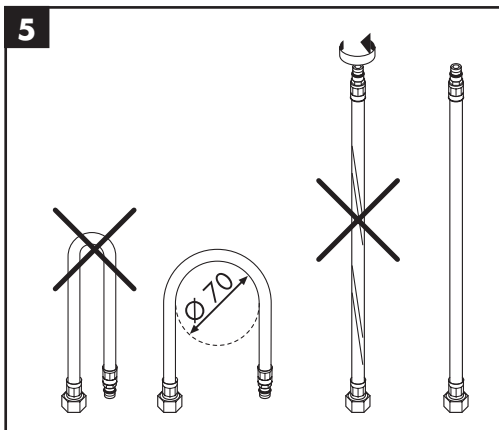
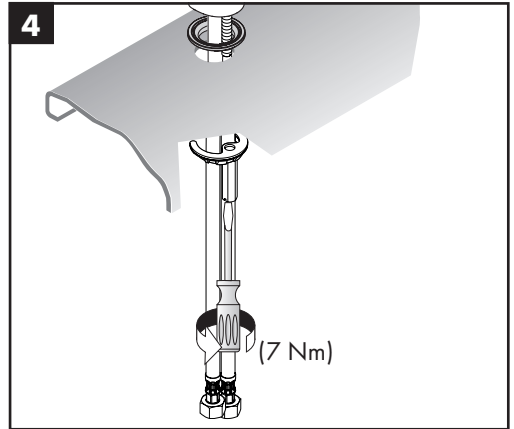
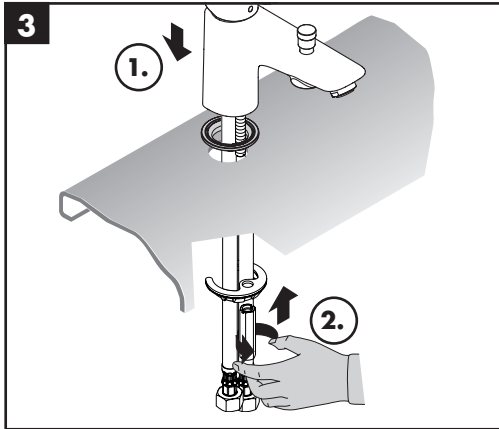
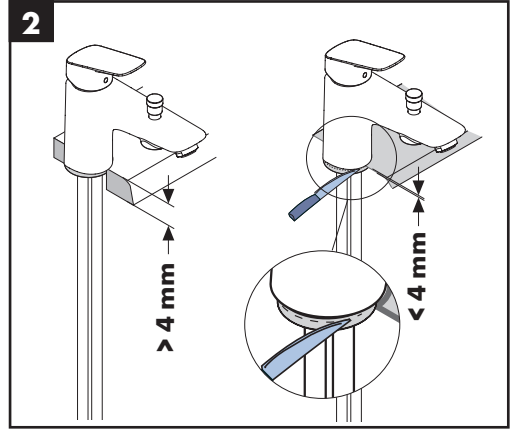
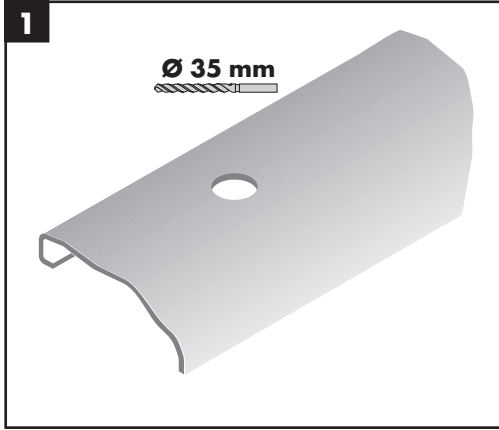
- Flow limiter in handshower isn't removed

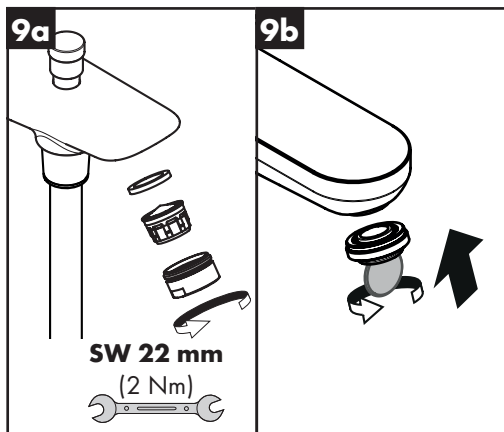
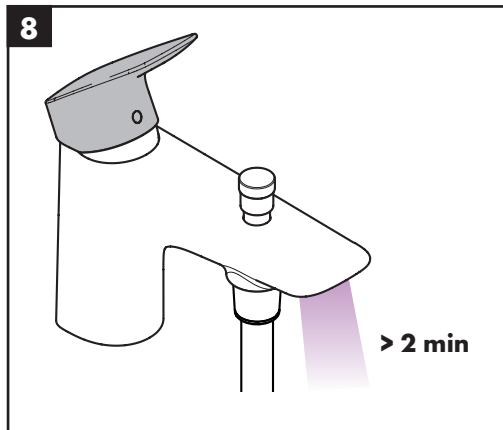
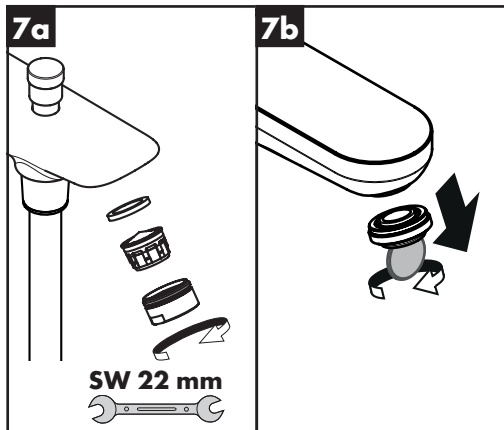
- Remove flow limiter

- Shower filter seal dirty

- Clean filter seal between shower and hose









60 °C



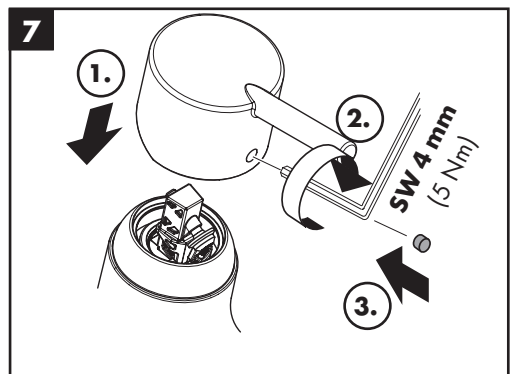
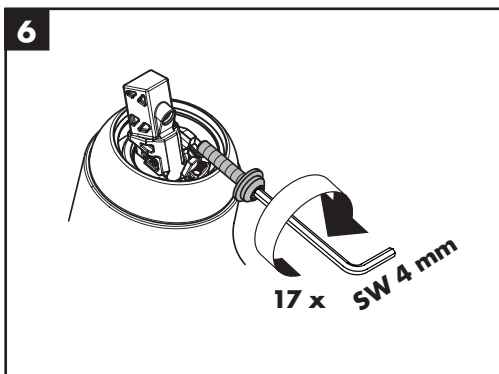
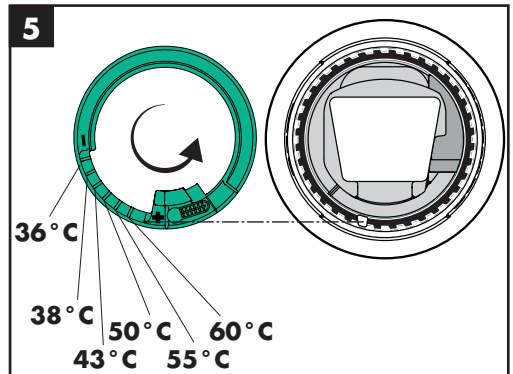
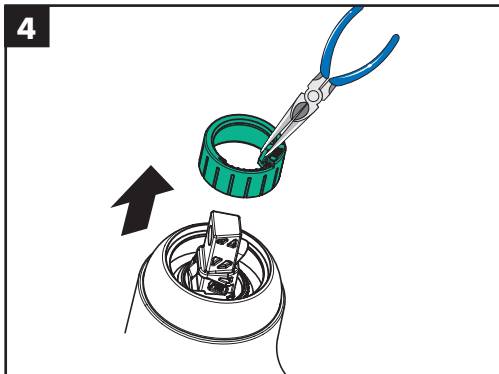
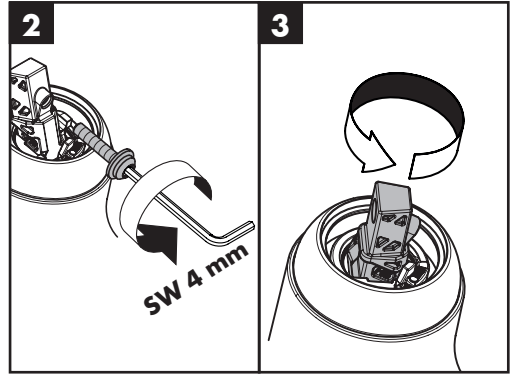
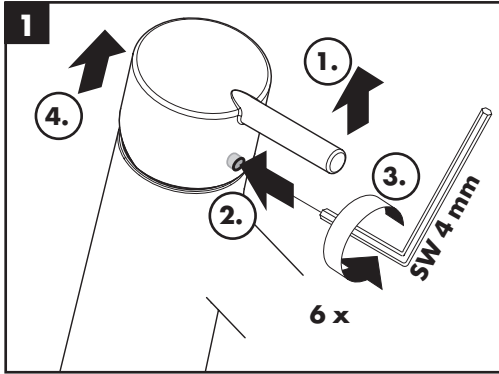
10 °C



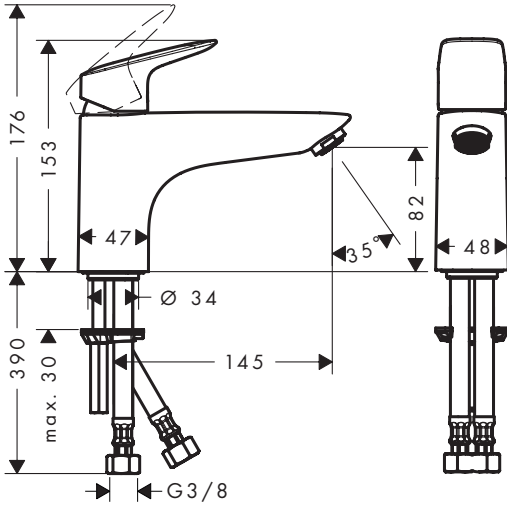
0,3 MPa

0,3 МПа

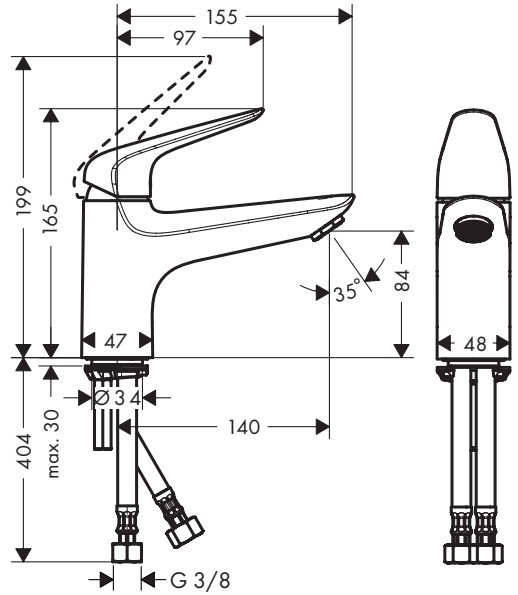
0,3 میجاباسکال



Logis
71311000

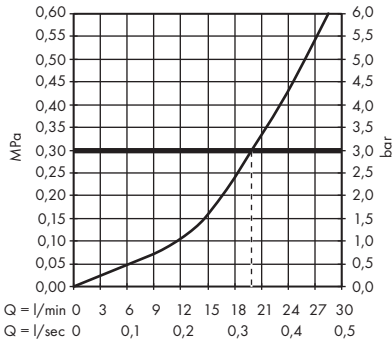


Novus
71322000



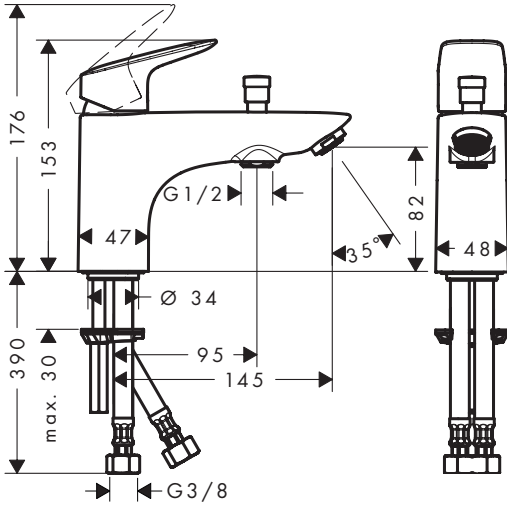
Logis 71311000

Novus 71322000

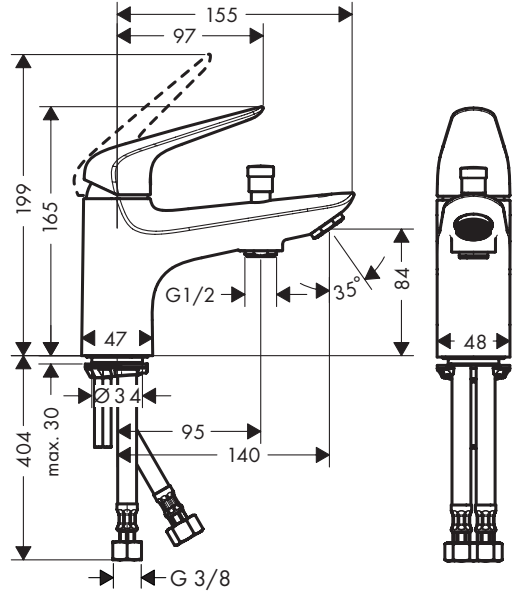




Logis
71312000

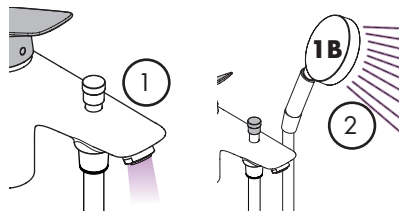
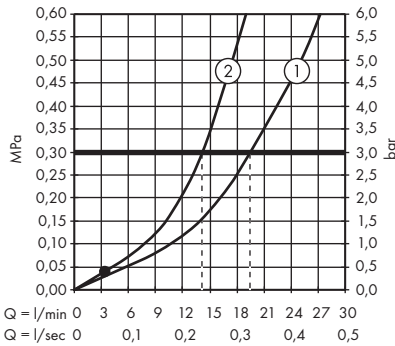


Novus
71321000



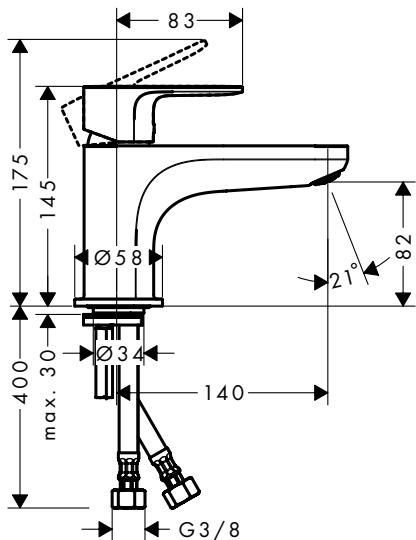
Logis 71312000

Novus 71321000

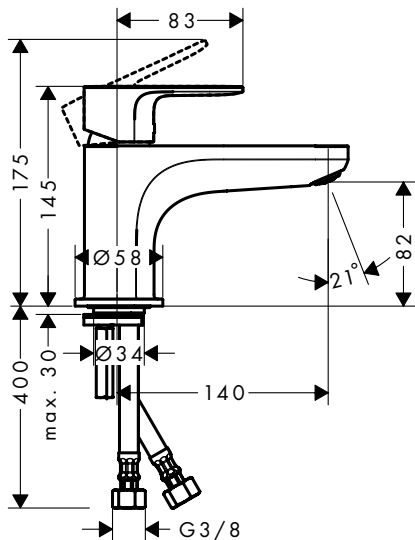




Rebris S
72434000

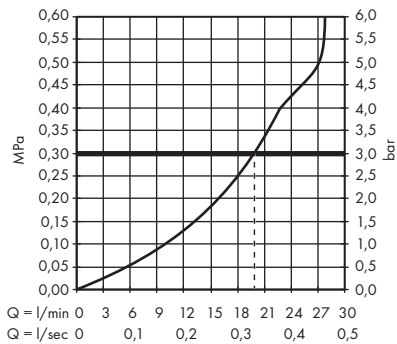


Rebris E
72435000



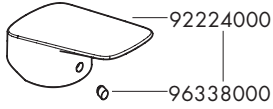
Rebris S 72434000

Rebris E 72435000

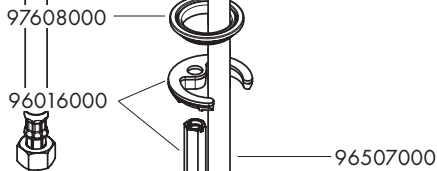
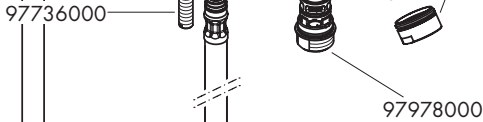
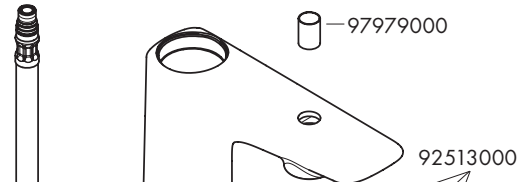
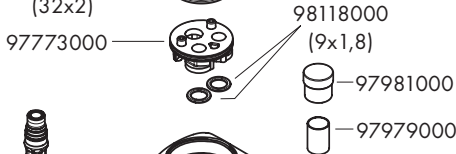
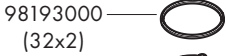
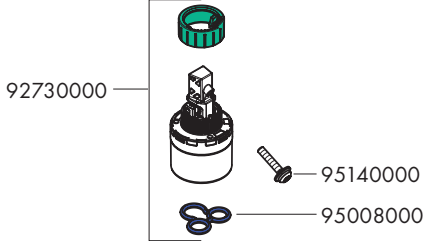
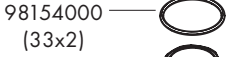




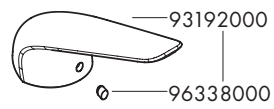
Logis
71312000



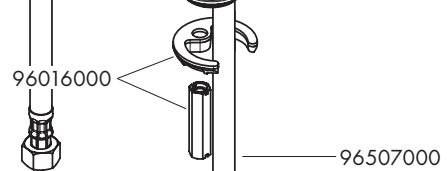
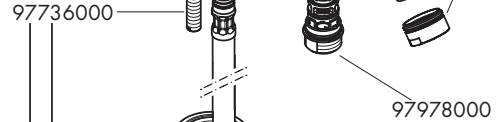
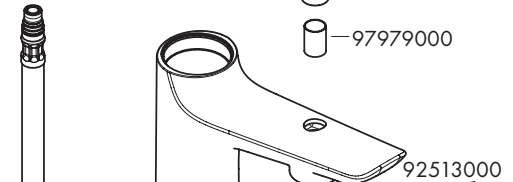
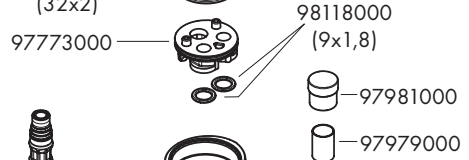
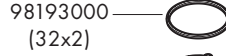
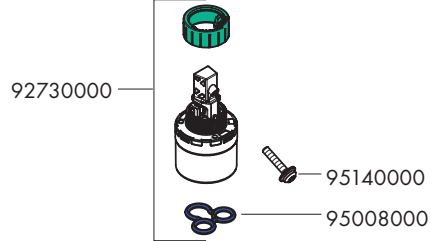
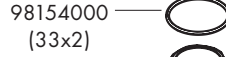
Logis
71311000
97406000



Novus
71321000

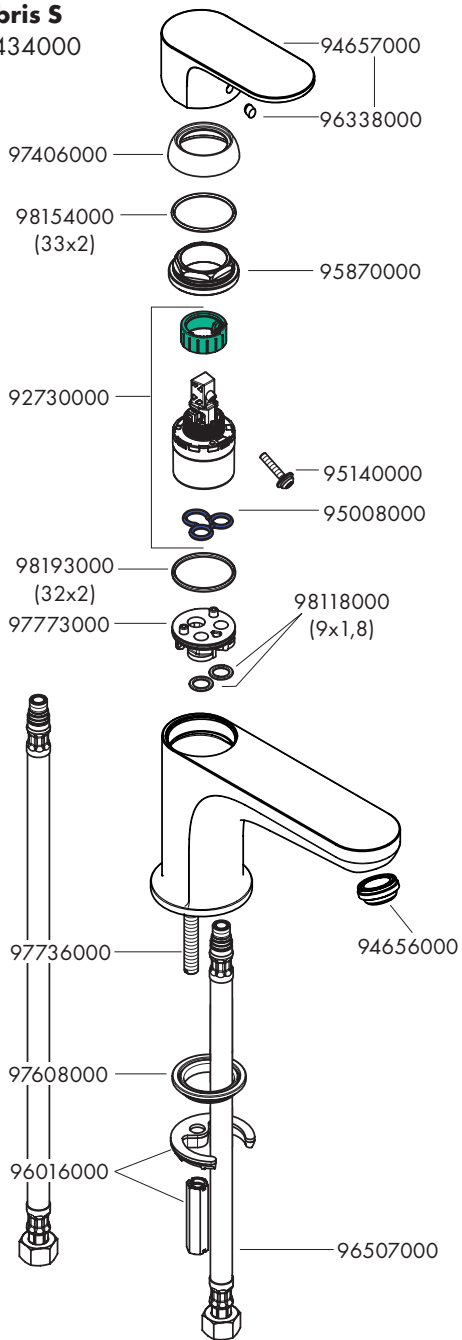


Novus
71322000
97406000

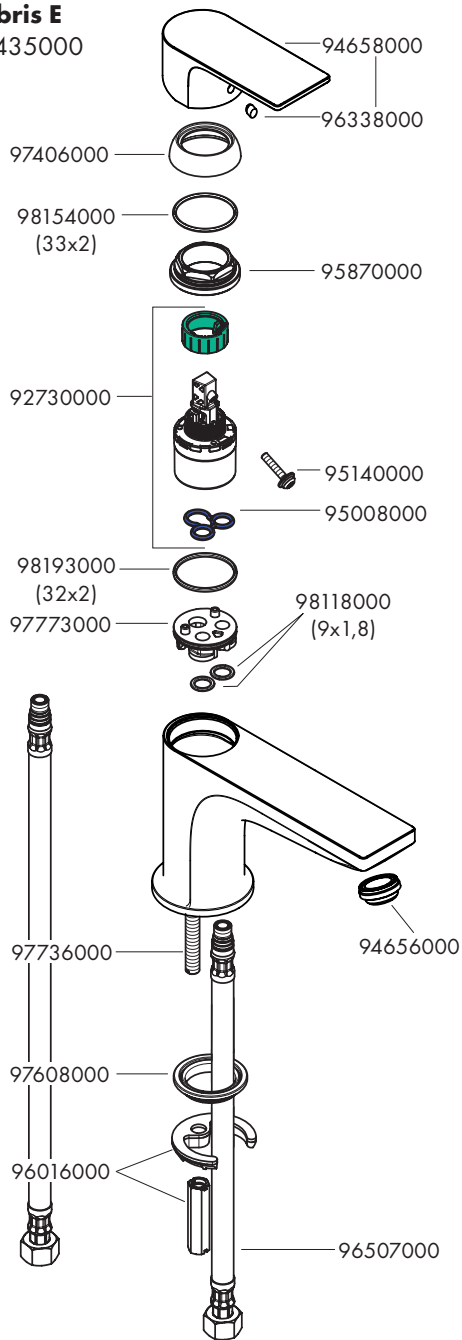


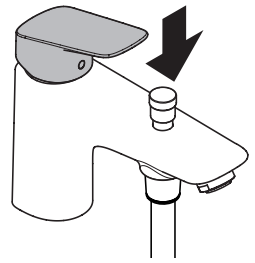
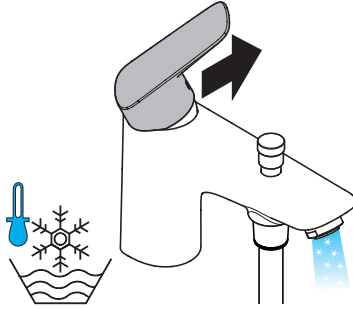
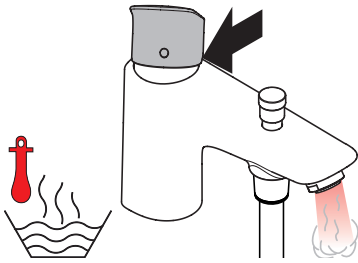
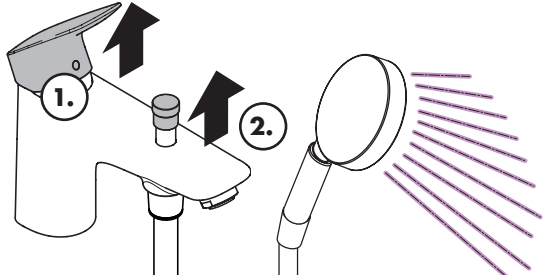
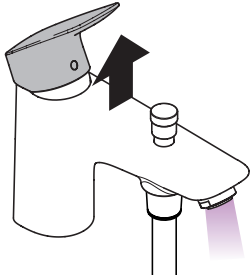


Rebris S 72434000



Rebris E 72435000







P-IX

DVGW SINTEF NF



ETA



71311000

71312000

71321000 PA-IX 73 19/IIDB DL0552

71322000 PA-IX 73 19/IIDB DL0552

72434000 P-IX 38270/IO

72435000 P-IX 38270/IO

