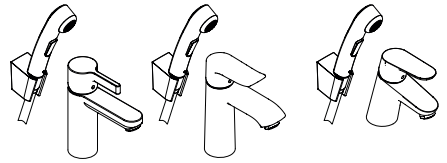


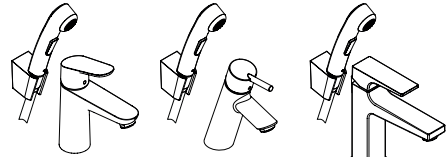
EN Instructions for use / Assembly instructions



Metris 5
31160000

Metris
31285000

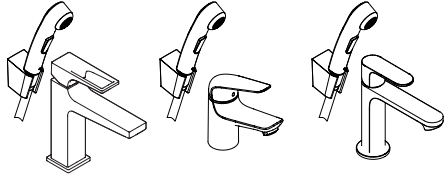
Focus 70
31926000



Focus 100
31927000

Talis S²
32140000

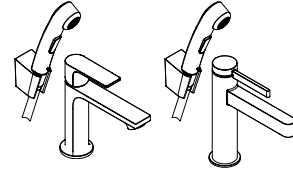
Metropol
32522000



Metropol
74522000

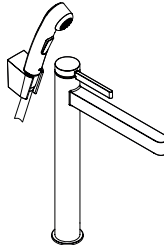
Novus 70
71144000

Rebris S 110
72215XXX



Rebris E 110
72216000

Finoris 110
76210XXX



Finoris 260
76220XXX



Safety Notes

- △ Gloves should be worn during installation to prevent crushing and cutting injuries.
- △ The product may only be used for bathing, hygienic and body cleaning purposes.
- △ The hot and cold supplies must be of equal pressures.

Installation Instructions

- Prior to installation, inspect the product for transport damages. After it has been installed, no transport or surface damage will be honoured.
- The pipes and the fixture must be installed, flushed and tested as per the applicable standards.
- The plumbing codes applicable in the respective countries must be observed.
- 31285000 / 31927000 / 32522000 / 74522000 / 76210XXX / 76220XXX: The drain valve must only be used as intended. It is not allowed to attach other objects to the drain valve, for example a semi-pedestal.

Technical Data

Operating pressure: max. 1 MPa
 Recommended operating pressure: 0,1 - 0,5 MPa
 Test pressure: 1,6 MPa
 (1 MPa = 10 bar = 147 PSI)

Hot water temperature: max. 60°C
 Thermal disinfection: 70°C / 4 min

The product is exclusively designed for drinking water!

Symbol description



Do not use silicone containing acetic acid!



Adjustment (see page 35)

To adjust the hot water limiter. Using a hot water limiter in combination with a continuous flow water heater is not recommended.



Dimensions (see page 38)



Flow diagram (see page 41)



Spare parts (see page 42)

XXX = Colors
 000 = Chrome Plated
 670 = Matt Black

Special accessories (order as an extra)



seal #98996000 (see page 33)



Cleaning (see page 49)

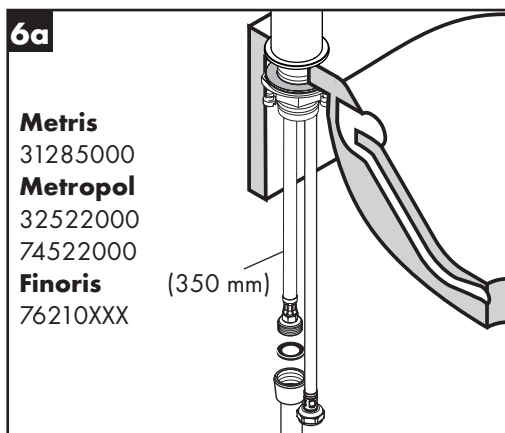
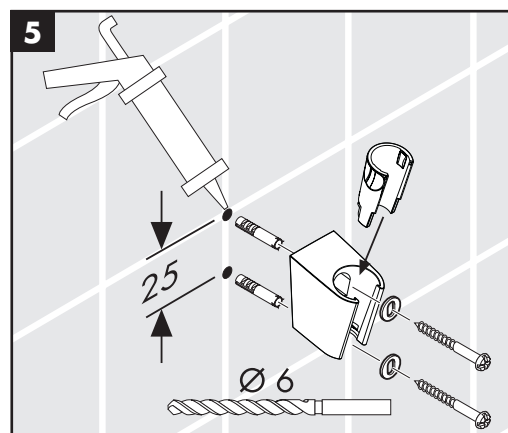
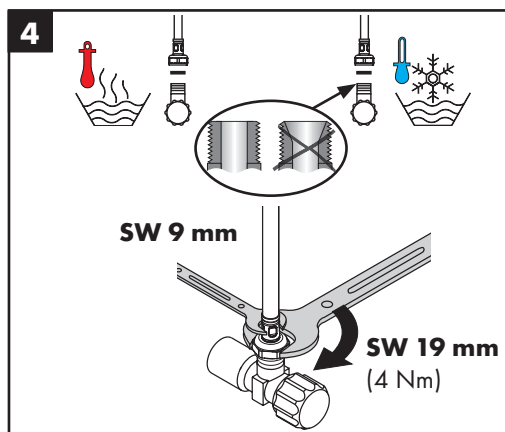
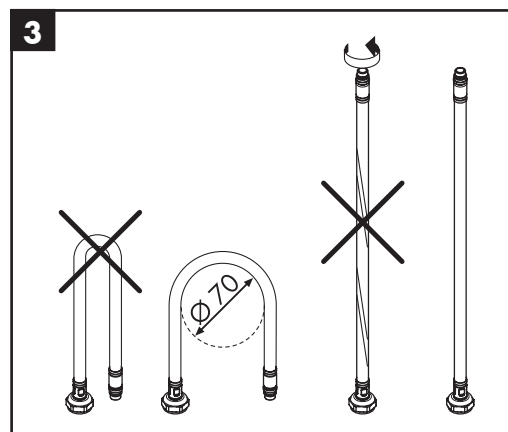
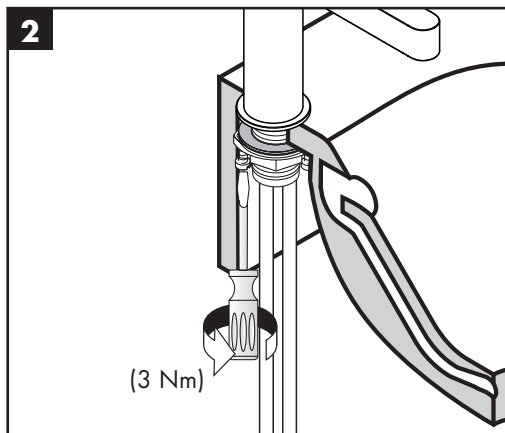
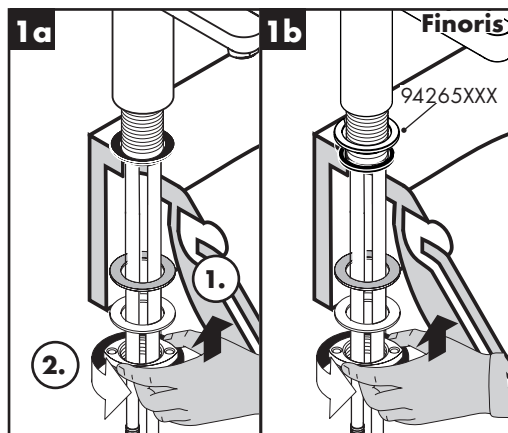


Operation (see page 37)

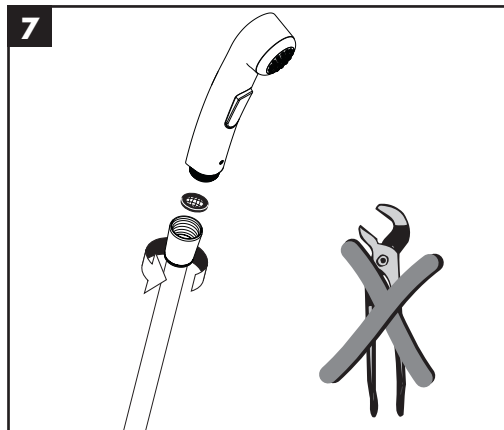
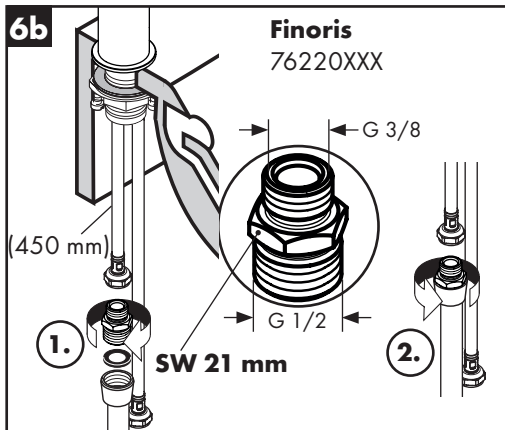
- Hansgrohe recommends not to use as drinking water the first half liter of water drawn in the morning or after a prolonged period of non-use.
- Due to the design of the Bidette fittings, a small amount of water will leak at the outlet of the fitting when the hand shower is running.



Test certificate (see page 52)

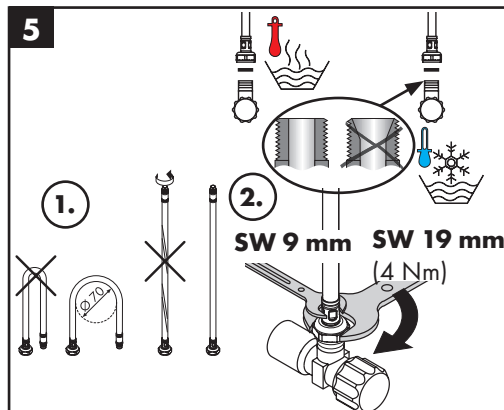
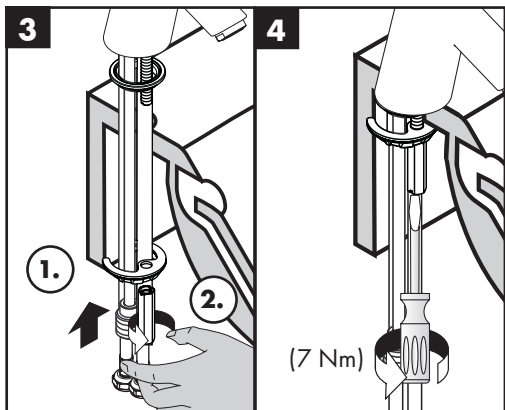
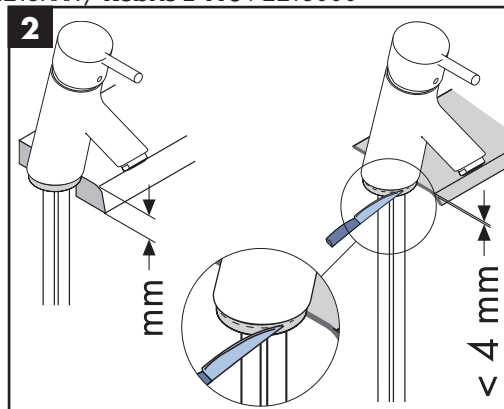
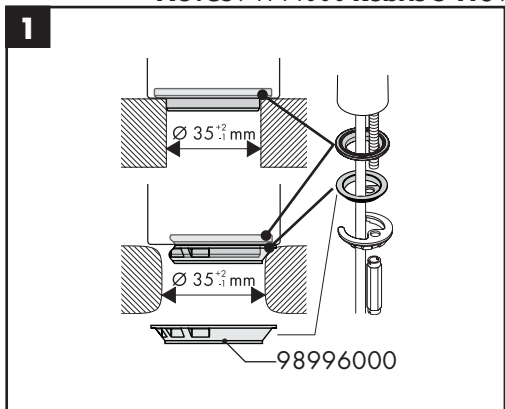


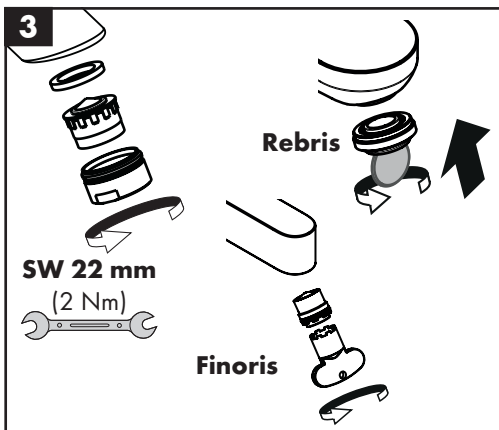
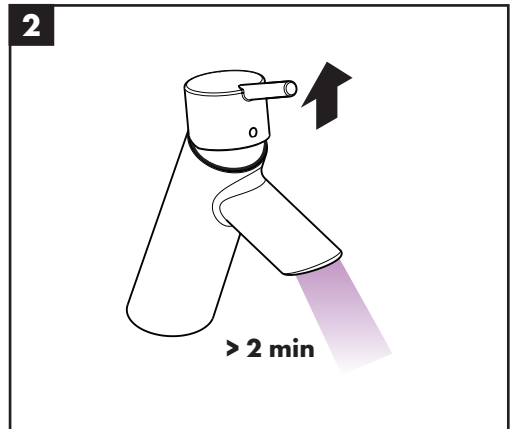
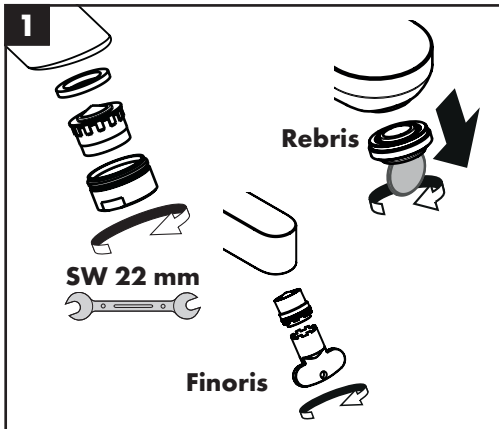
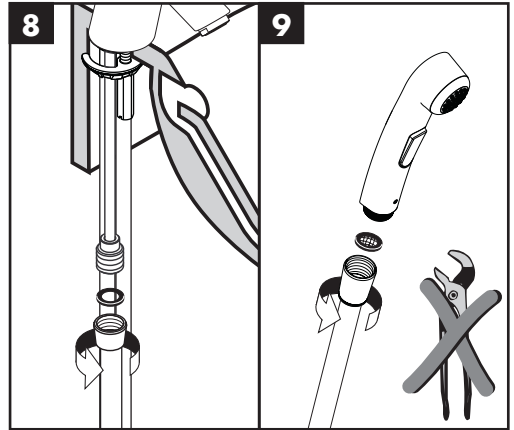
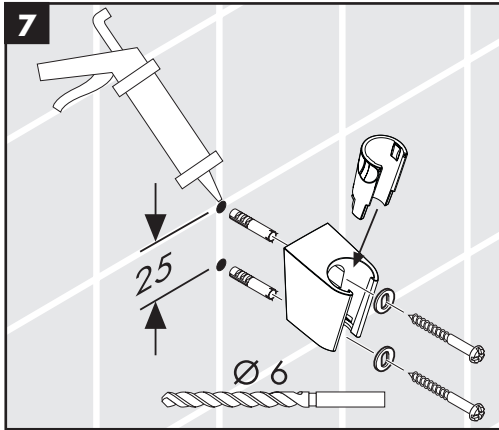
Metris
31285000
Metropol
32522000
74522000
Finoris
76210XXX

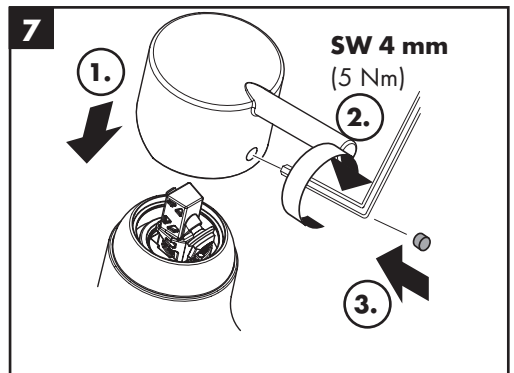
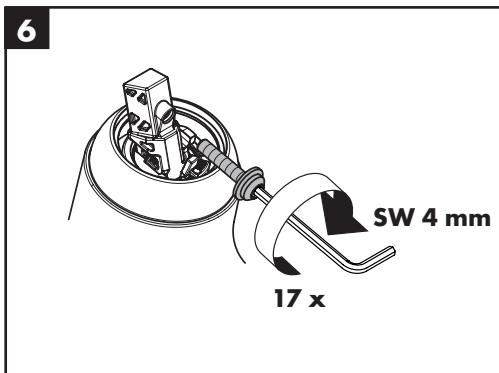
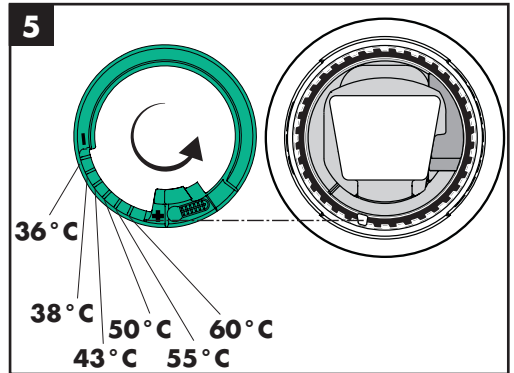
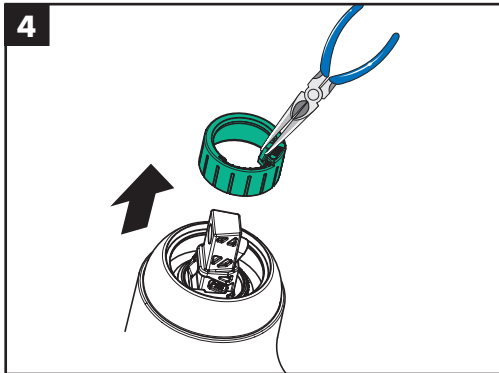
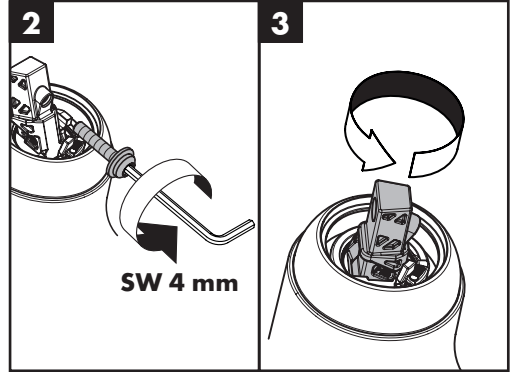
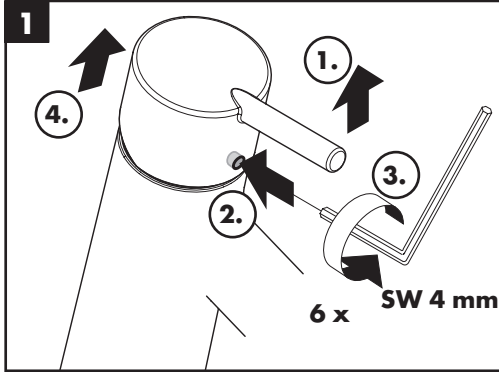


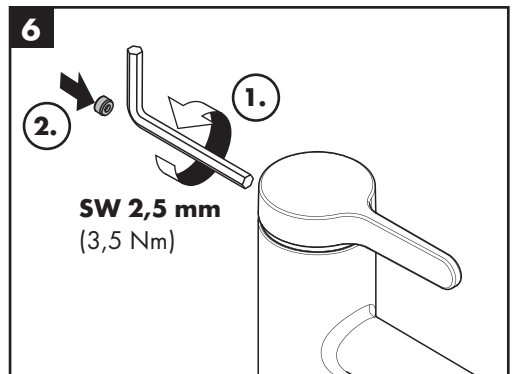
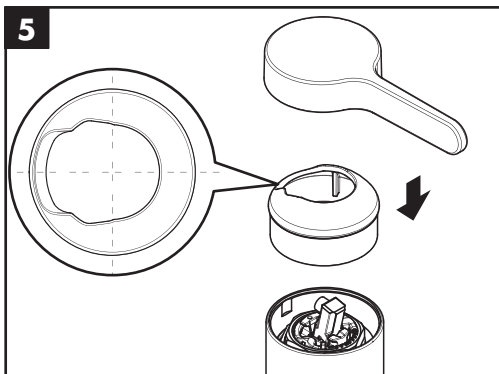
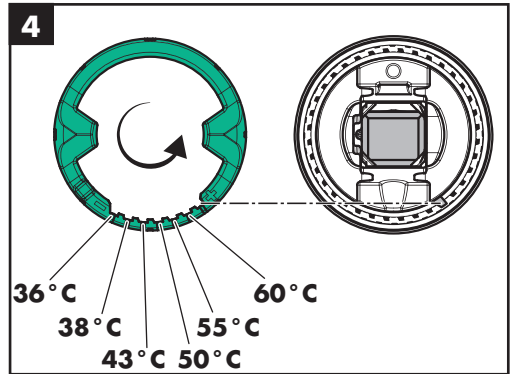
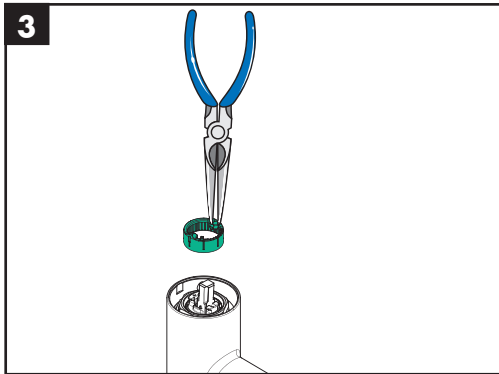
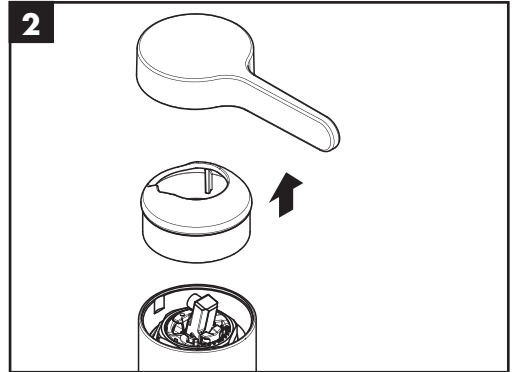
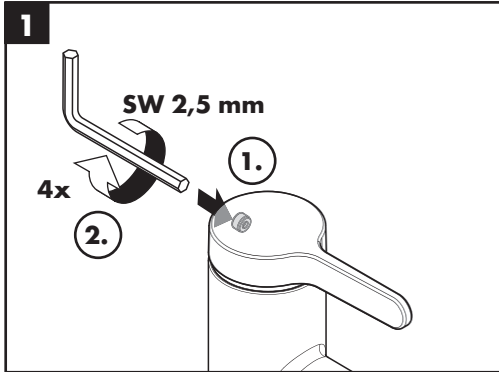
Talis E² 31165000 / Talis S² 32140000 / Focus 31926000 / Focus 100 31927000 /

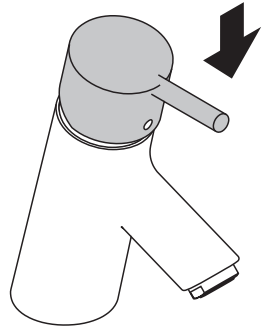
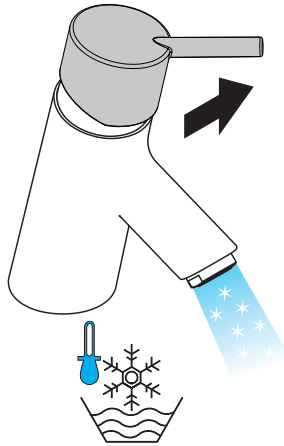
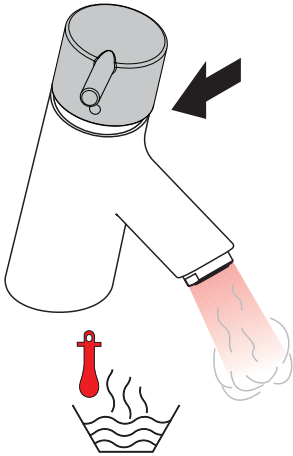
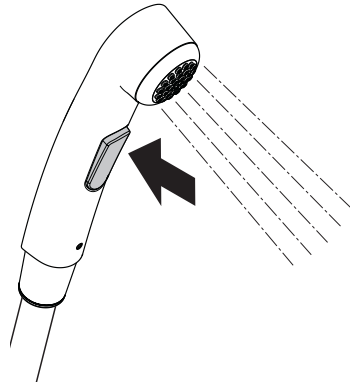
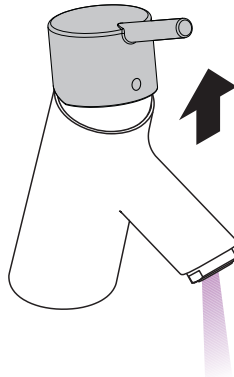
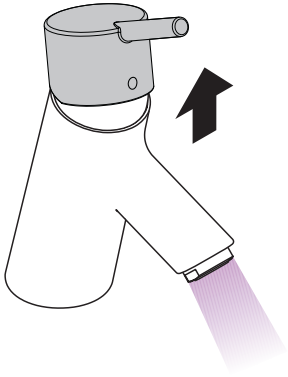
Novus 71144000 Rebris S 110 72215XXX / Rebris E 110 72216000





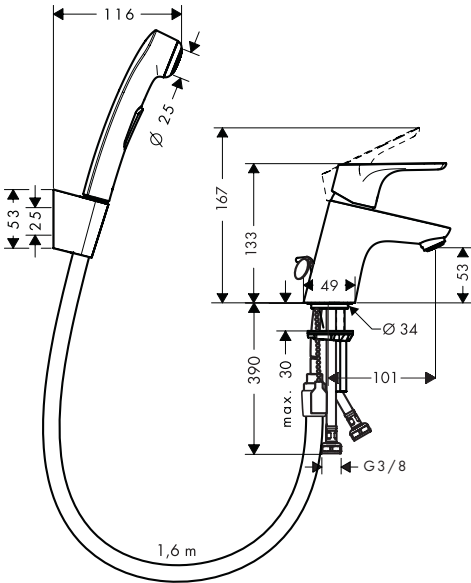




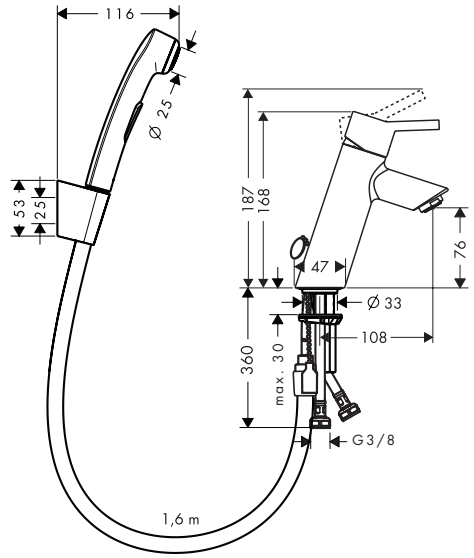




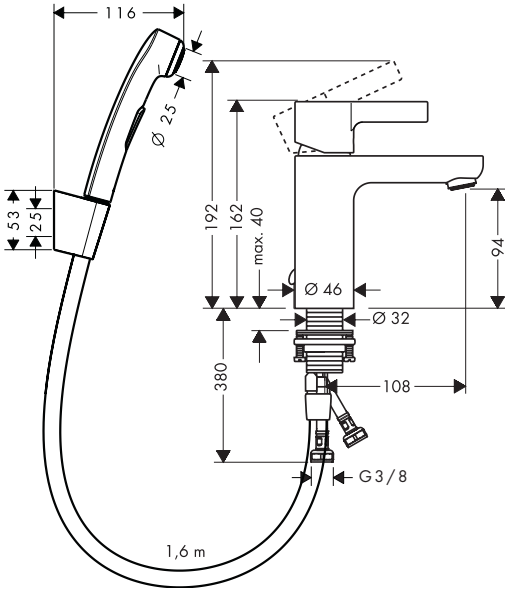
Focus 70
31926000



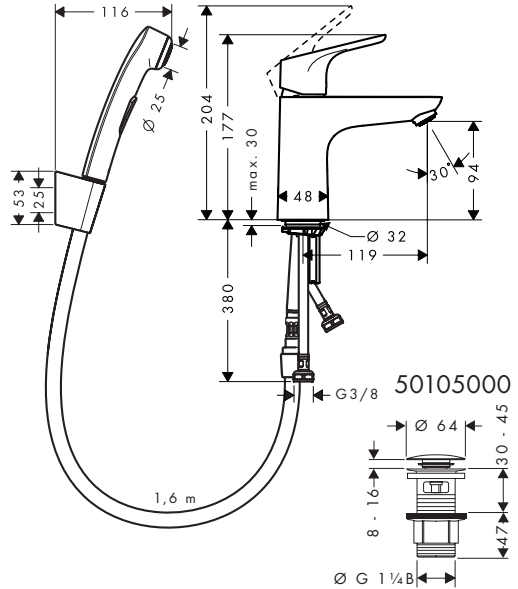
Talis S²
32140000



Metris S
31160000

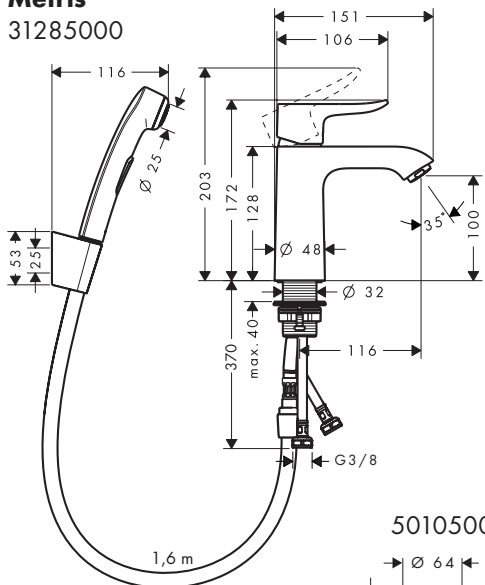


Focus 100
31927000

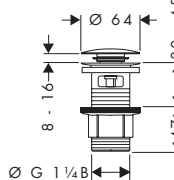




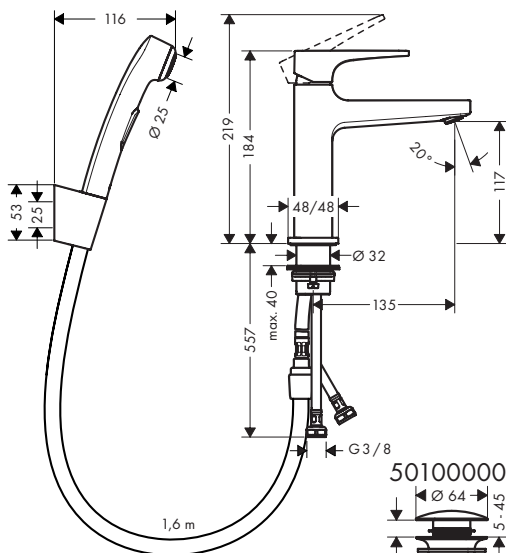
Metris
31285000



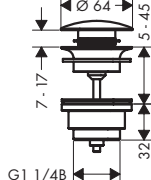
50105000



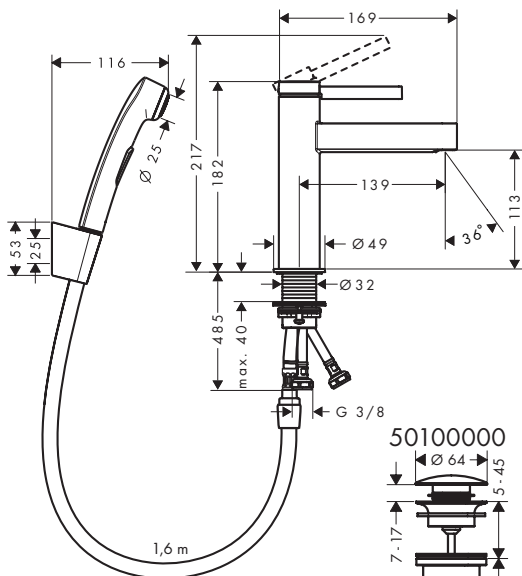
Metropol
32522000 / 74522000



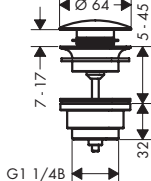
50100000



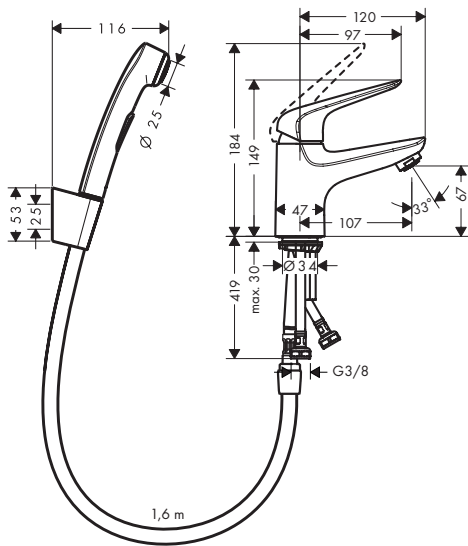
Finoris 110
76210XXX



50100000



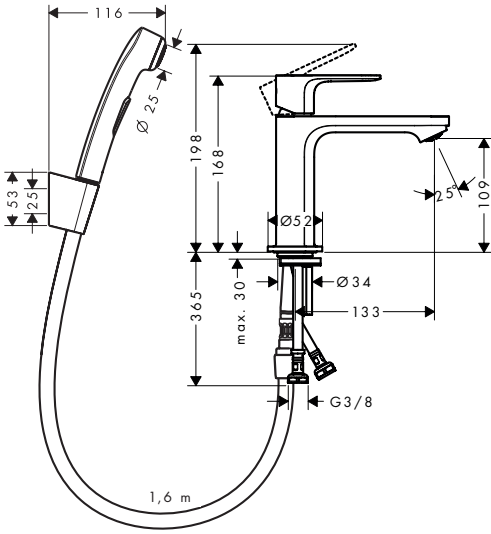
Novus 70
71144000





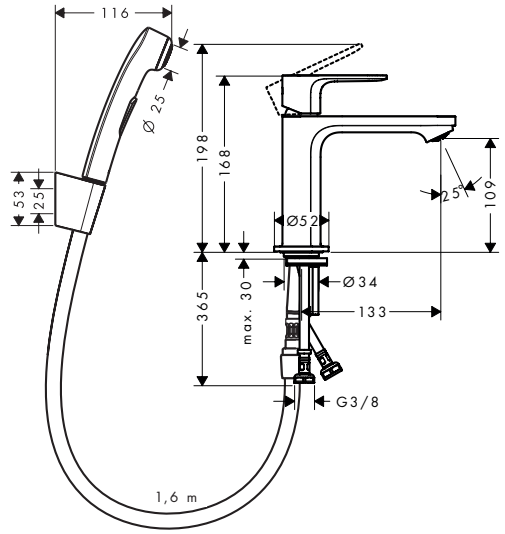
Rebris S 110

72215XXX



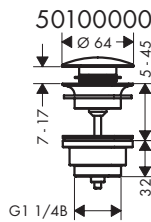
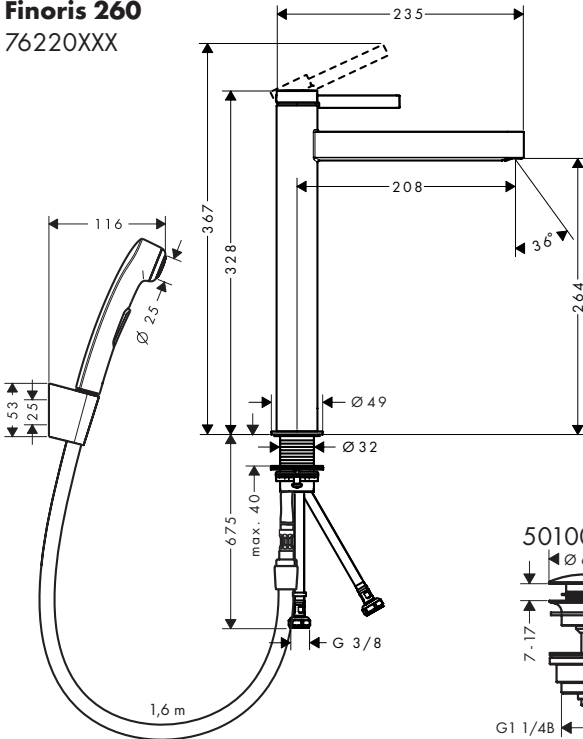
Rebris E 110

72216000



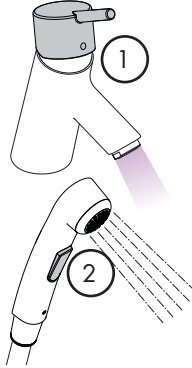
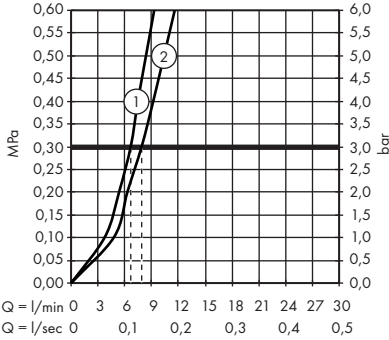
Finoris 260

76220XXX

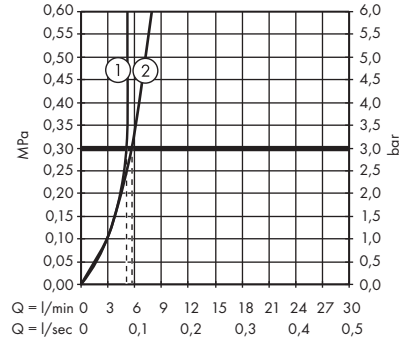




Talis S² 32140000 / **Metropol** 32522000 /
Metropol 74522000 / **Novus 70** 71144000 /
Metris S 31160000 / **Metris** 31285000 /
Focus 70 31926000 / **Focus 100** 31927000

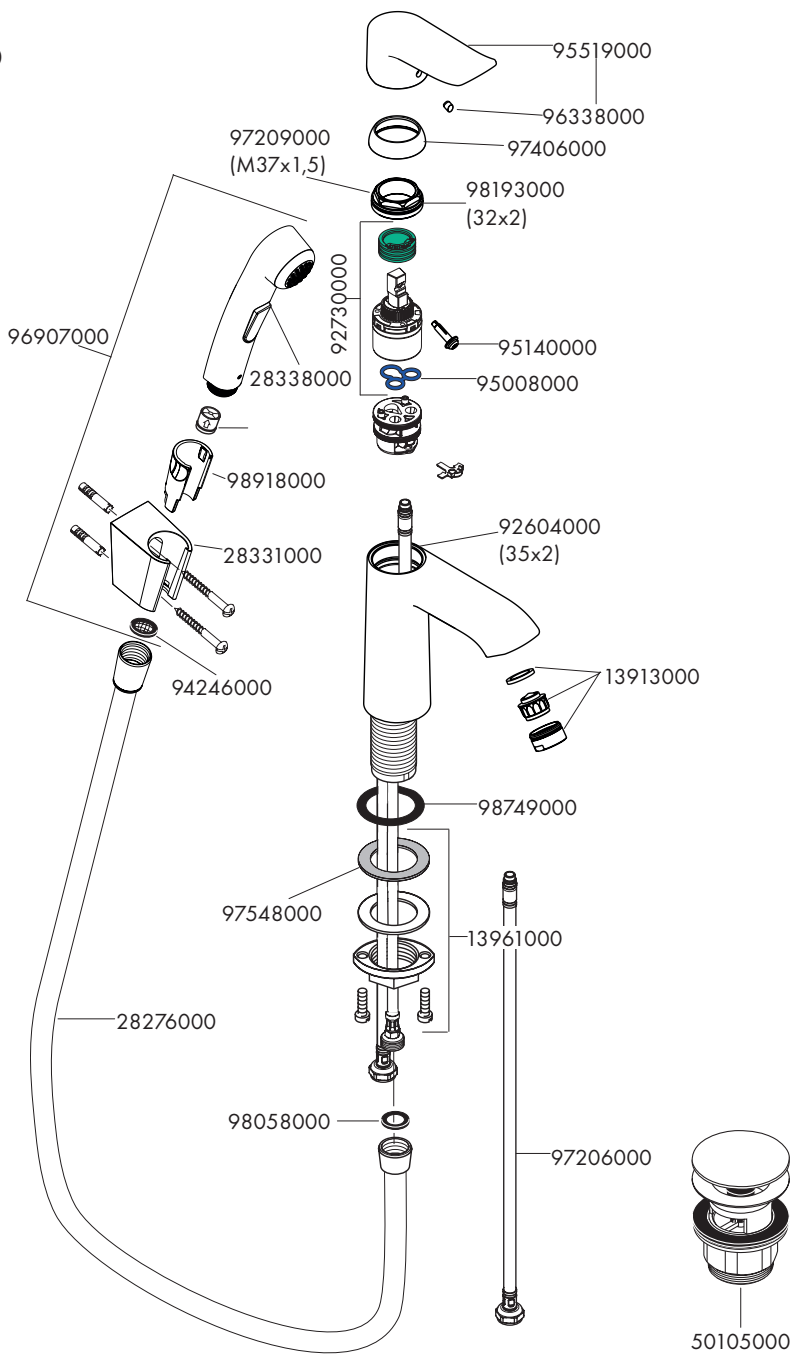


Rebris S 110 72215XXX /
Rebris E 110 72216000 /
Finoris 110 76210XXX /
Finoris 260 76220XXX



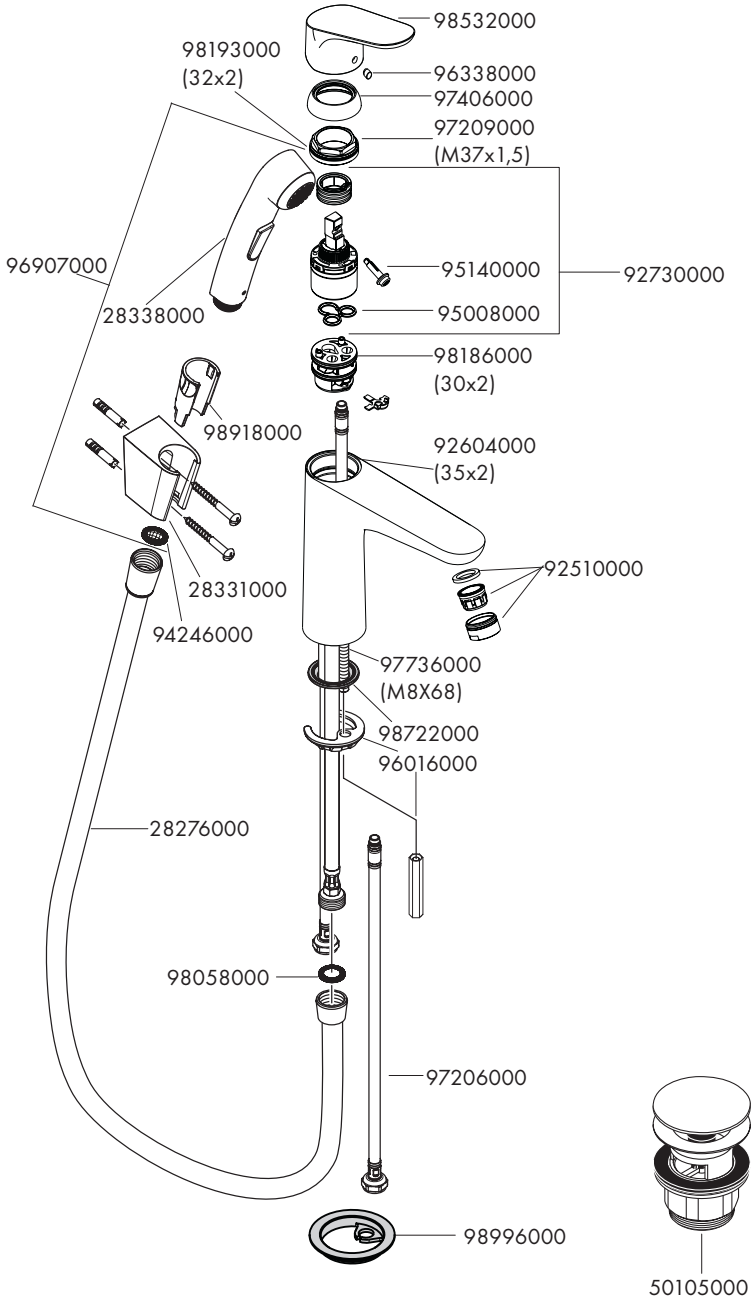


Metris
31285000





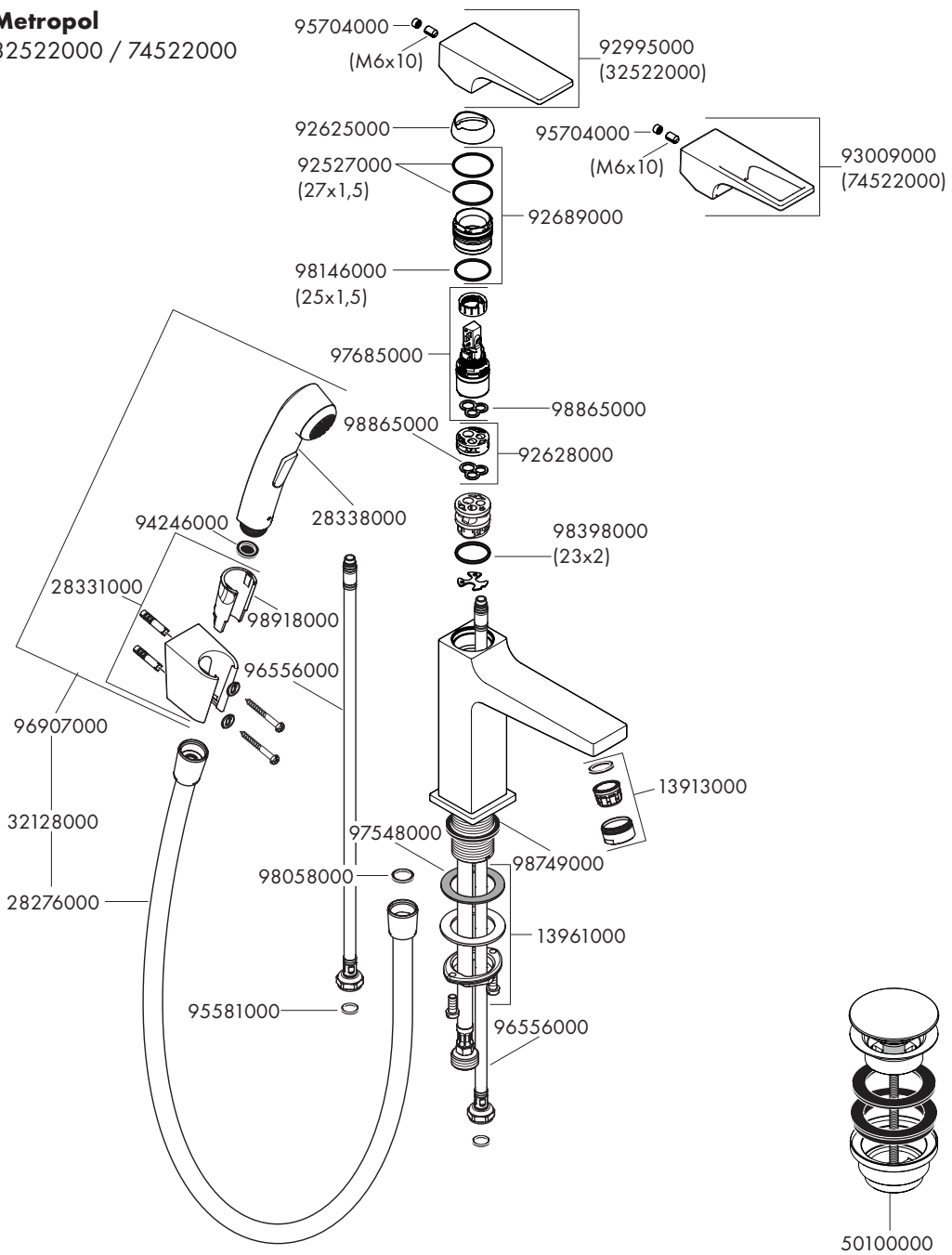
Focus 100
31927000





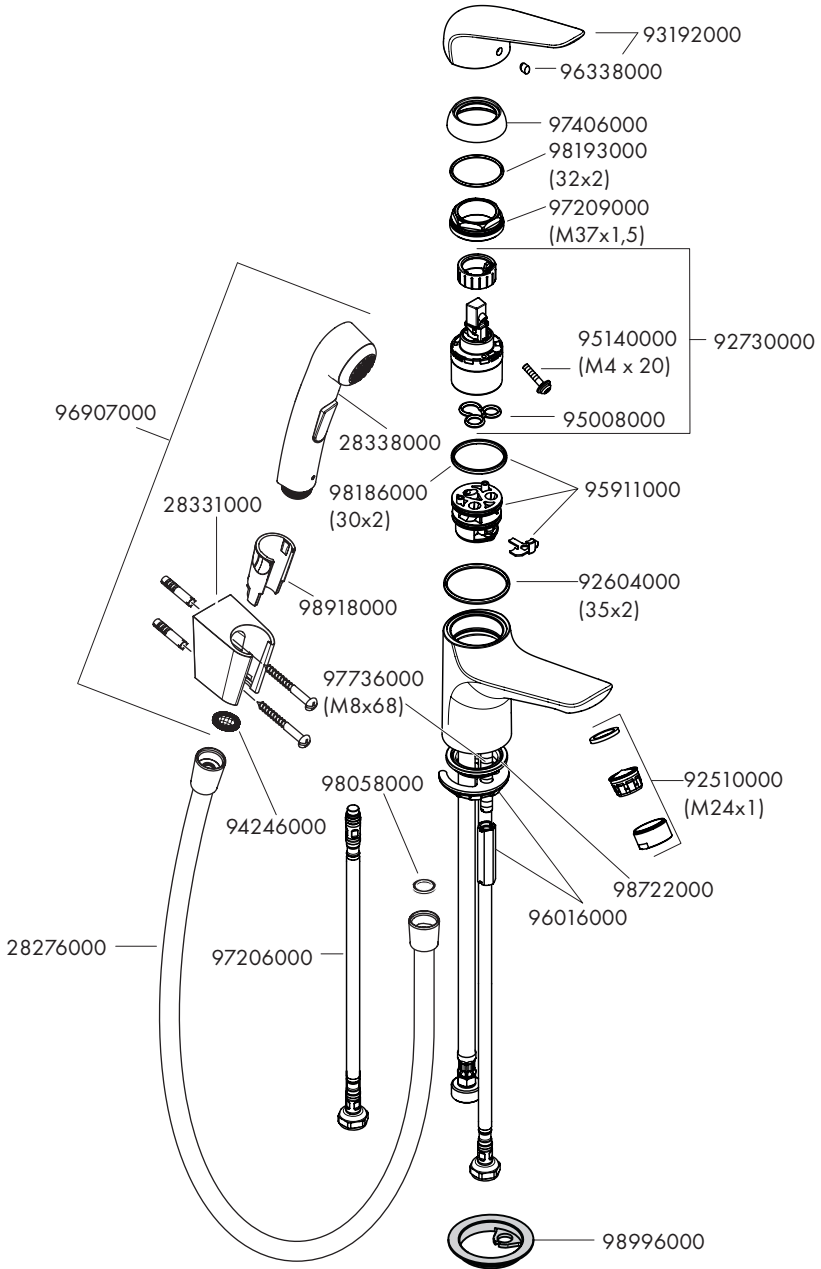
Metropol

32522000 / 74522000





Novus 70
71144000

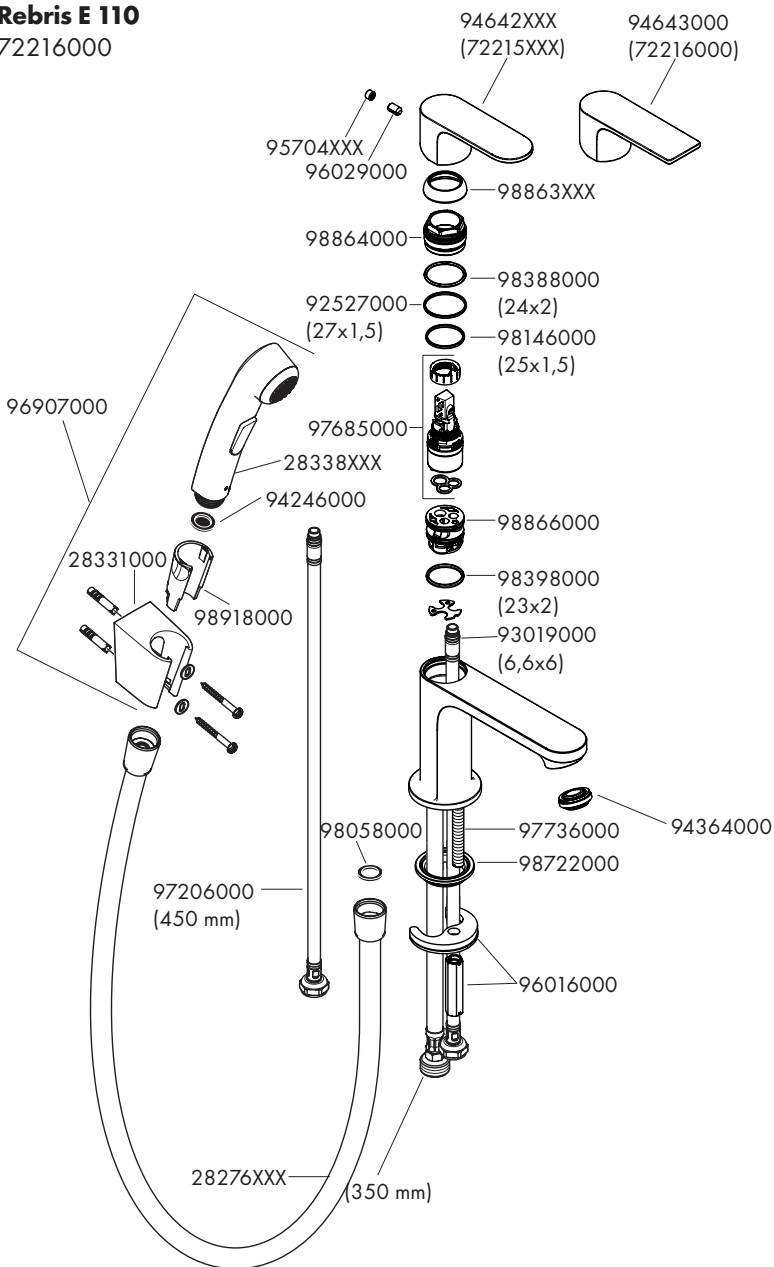


Rebris S 110

72215XXX

Rebris E 110

72216000





Finoris 110

76210XXX

93735460
(76210000 / 76220000)
93735610
(76210670 / 76220670)

98446000
(M5x5)
SW 2,5 mm

98433000
(30x1,5)
98391000
(29x2)

98146000
(25x1,5)

28338000

28331000

98918000

96556000
(600 mm)

28276XXX

98058000

(350 mm)

94266XXX

93737000

92926000
SW 24 mm

93760000

98398000
(23x2)

93019000
(6,6x1,6)

94265XXX

98749000

97548000

13961000

50100000

Finoris 260

76220XXX

94267000
(900 mm)

93973000

98987000

97206000
(450 mm)

(1/2 x 3/8)
SW 21 mm



P-IX

DVGW SINTEF NF



ETA



GØDKENDT
TIL DRIKKEVAND

31160000	P-IX 19432/IAO	X	X		04/00132
31285000	P-IX 19941/IAO	X	X		04/00132
31926000	P-IX 19240/IAO	X	X	X	04/00132
31927000		X	X		04/00132
32140000		X	X		04/00132
32522000			X		
71144000	CT0653		X		
72215XXX	PA-IX 38272/IOO				
72216000	PA-IX 38272/IOO				
74522000			X		
76210XXX	PA-IX 38215/IOO		X		
76220XXX	PA-IX 38215/IOO		X		

