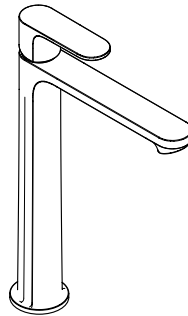


EN Instructions for use / Assembly instructions



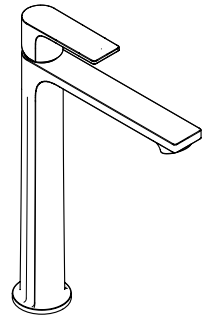
**Rebris S 240
CoolStart**

72580XXX
72582000

**Rebris S 240
CoolStart
EcoSmart**

72590XXX

Rebris S 240
72542XXX



**Rebris E 240
CoolStart**

72581XXX
72583000

**Rebris E 240
CoolStart
EcoSmart**

72591XXX

Rebris E 240
72545XXX



Safety Notes

- △ Gloves should be worn during installation to prevent crushing and cutting injuries.
- △ The product may only be used for bathing, hygienic and body cleaning purposes.
- △ The hot and cold supplies must be of equal pressures.

Installation Instructions

- Prior to installation, inspect the product for transport damages. After it has been installed, no transport or surface damage will be honoured.
- The pipes and the fixture must be installed, flushed and tested as per the applicable standards.
- The plumbing codes applicable in the respective countries must be observed.
- The drain valve must only be used as intended. It is not allowed to attach other objects to the drain valve, for example a semi-pedestal.
- If the instantaneous water heater causes problems or if you wish to increase the water flow, the EcoSmart® (flow limiter) located behind the aerator can be removed.

Technical Data

This mixer series-produced with EcoSmart® (flow limiter)

Operating pressure:	max. 1 MPa
Recommended operating pressure:	0,1 - 0,5 MPa
Test pressure:	1,6 MPa
	(1 MPa = 10 bar = 147 PSI)
Hot water temperature:	max. 60 °C
Thermal disinfection:	70 °C / 4 min

The product is exclusively designed for drinking water!

Symbol description



Do not use silicone containing acetic acid!



Adjustment (see page 35)

To adjust the hot water limiter. Using a hot water limiter in combination with a continuous flow water heater is not recommended.



Dimensions (see page 36)



Flow diagram (see page 36)



Spare parts (see page 38)

- XXX = Colors
- 000 = Chrome Plated
- 670 = Matt Black

Special accessories (order as an extra)



- special tool #58085000 (see page 33)



- Installation putty (see page 34)



Cleaning (see page 37)

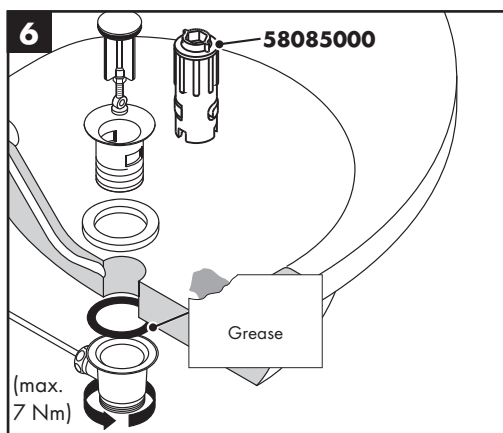
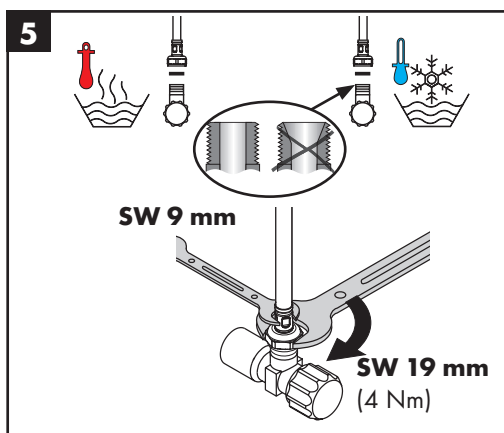
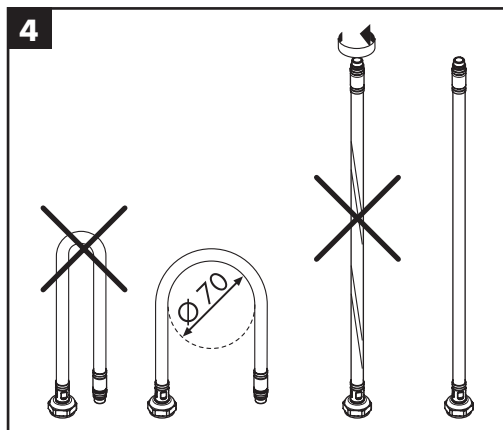
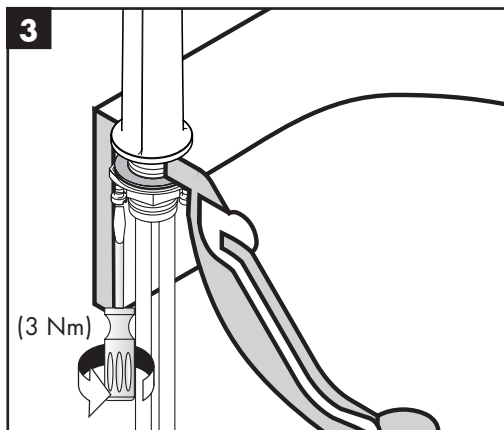
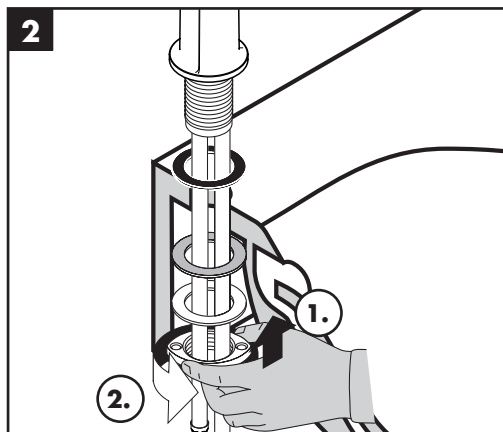
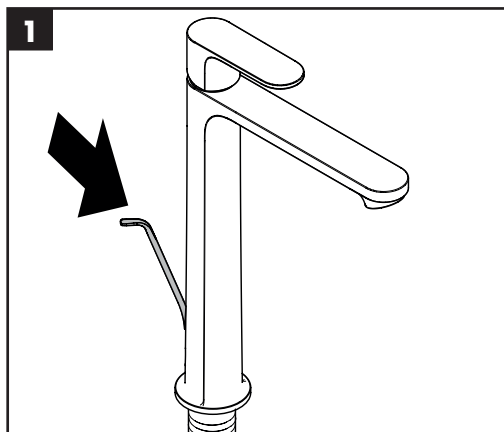


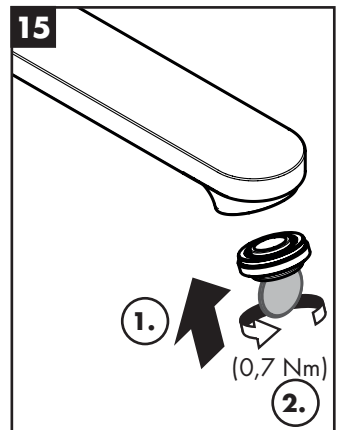
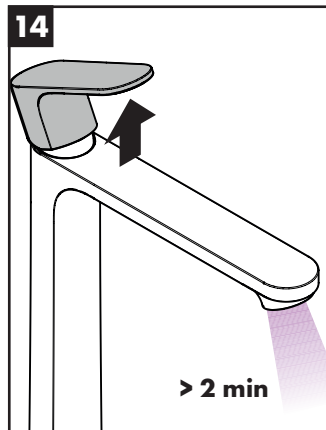
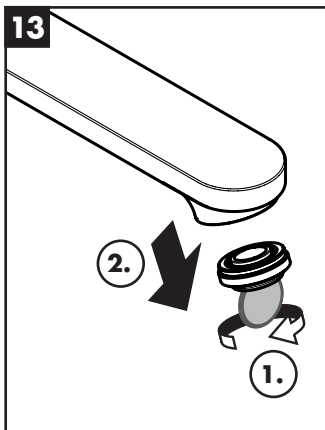
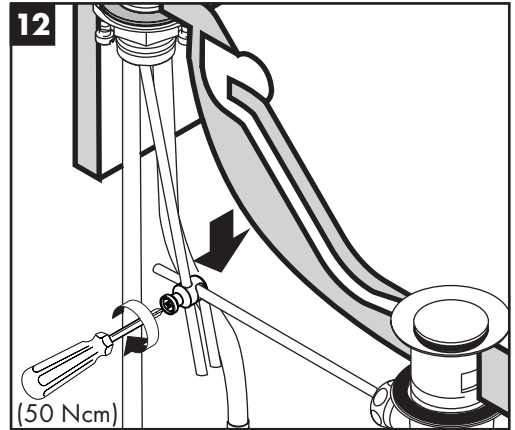
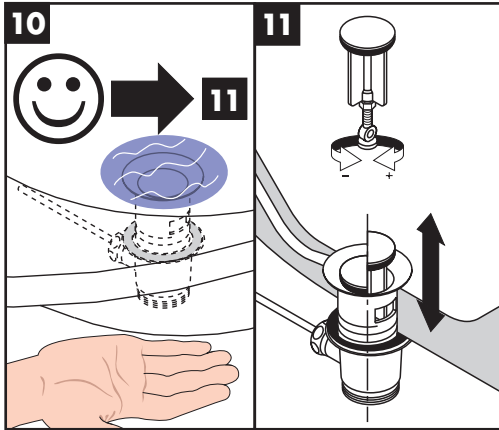
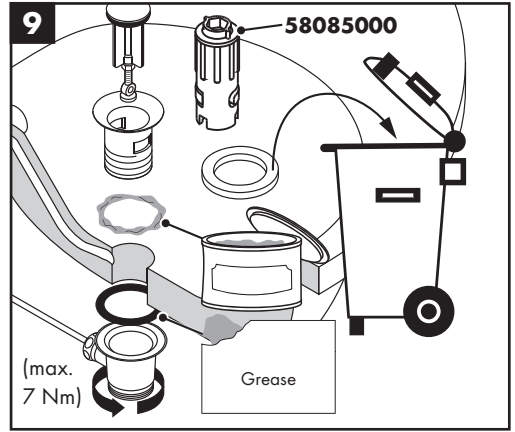
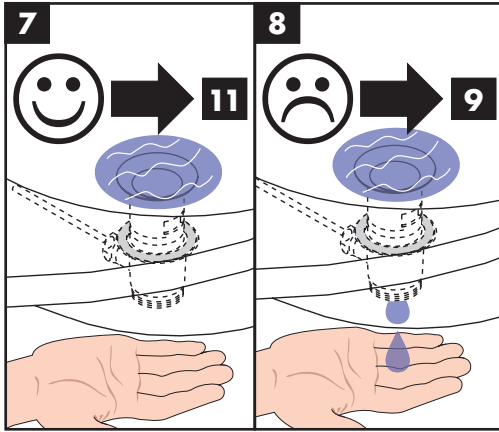
Operation (see page 40)

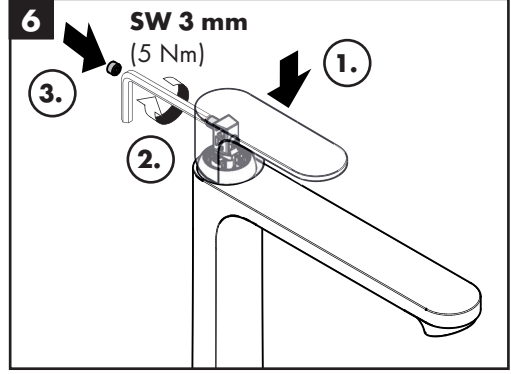
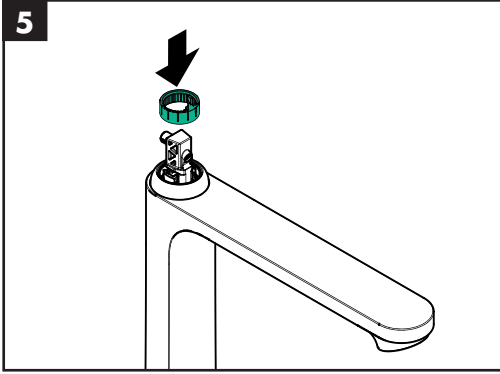
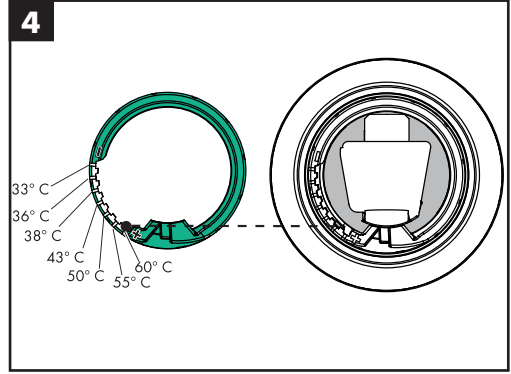
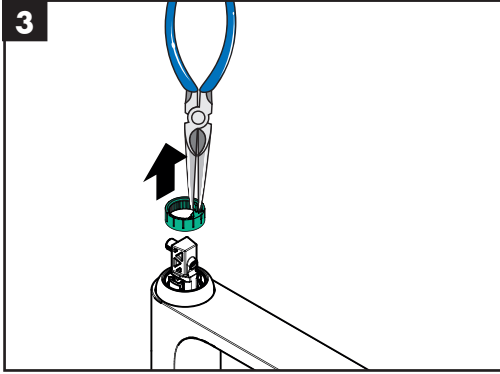
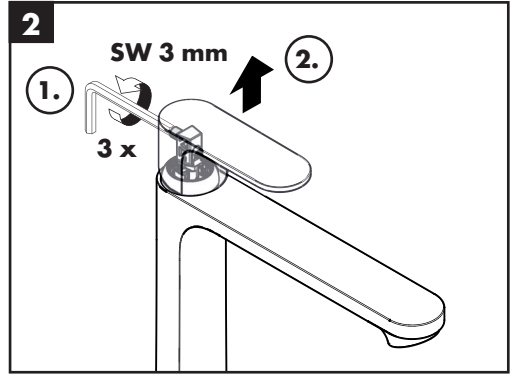
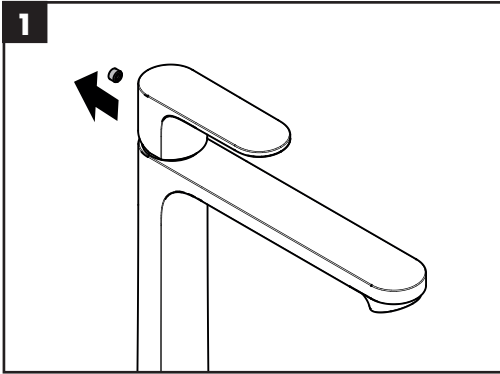
- Hansgrohe recommends not to use as drinking water the first half liter of water drawn in the morning or after a prolonged period of non-use.
- After periods of prolonged non-use, but at least every third day, the fittings must be opened with the handle in hot and cold position to prevent stagnation in the connecting lines. Let the water run until the water temperature is constant.



Test certificate (see page 40)









Rebris S 240

CoolStart

72580XXX

Rebris S 240

CoolStart EcoSmart

72590XXX

Rebris E 240

CoolStart

72581XXX

Rebris E 240

CoolStart EcoSmart

72591XXX

Rebris S 240

CoolStart

72582000

Rebris S 240

72542XXX

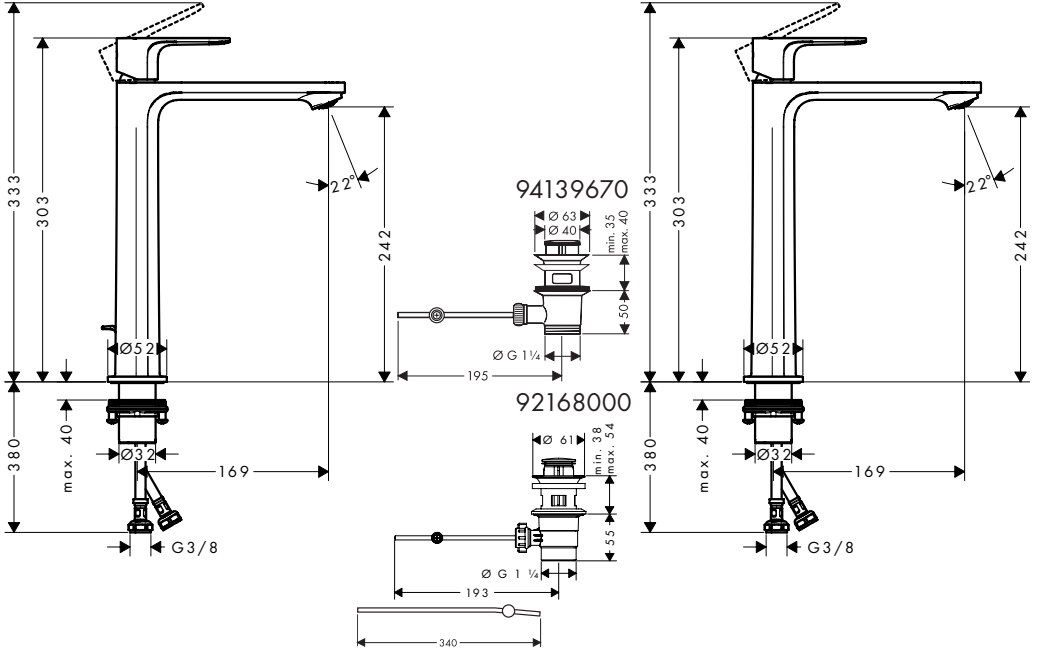
Rebris E 240

CoolStart

72583000

Rebris E 240

72545XXX



Rebris S 240

72580XXX

72582000

72542XXX

Rebris E 240

72581XXX

72583000

72545XXX

Rebris S 240

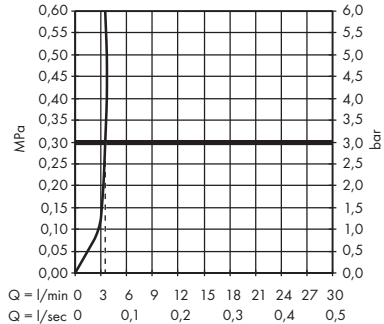
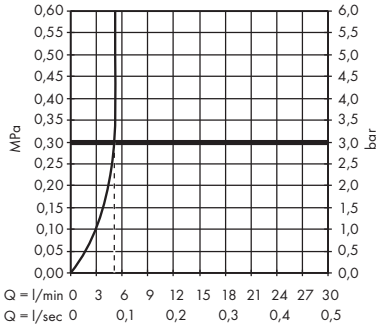
EcoSmart

72590XXX

Rebris E 240

EcoSmart

72591XXX





Rebris S 240

CoolStart

72580XXX

72582000

Rebris E 240

CoolStart

72581XXX

72583000

95704000

(7258000

72581000

72582000

72583000

72590000

(72591000)

95704610

(72580670

72581670

72590670

72591670)

93019000
(6,6x1,6)

96556000
(600 mm)

96657XXX



98863XXX

98388000
(24x2)

92527000
(27x1,5)

98146000
(25x1,5)

95973001

98865000

98866000

98398000
(23x2)

94364001
(4,5 l/min)

94364000
(5 l/min)

97548000

13961000

94139670

92168000

96324000

94645XXX

EcoSmart®

Rebris S 240

CoolStart

EcoSmart

72590XXX

Rebris E 240

CoolStart

EcoSmart

72591XXX



Rebris S 240

72542XXX

Rebris E 240

72545XXX

95704000
(72542000
72545000)
95704610
(72542670
72545670)

96029000
(M6x10)
98388000
(24x2)
92527000
(27x1,5)
98146000
(25x1,5)

98865000
98866000

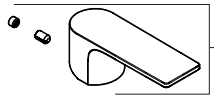
94642XXX

98863XXX

98864000

95973001

98398000
(23x2)

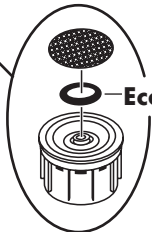


94643XXX

93019000
(6,6x1,6)

96556000
(600 mm)

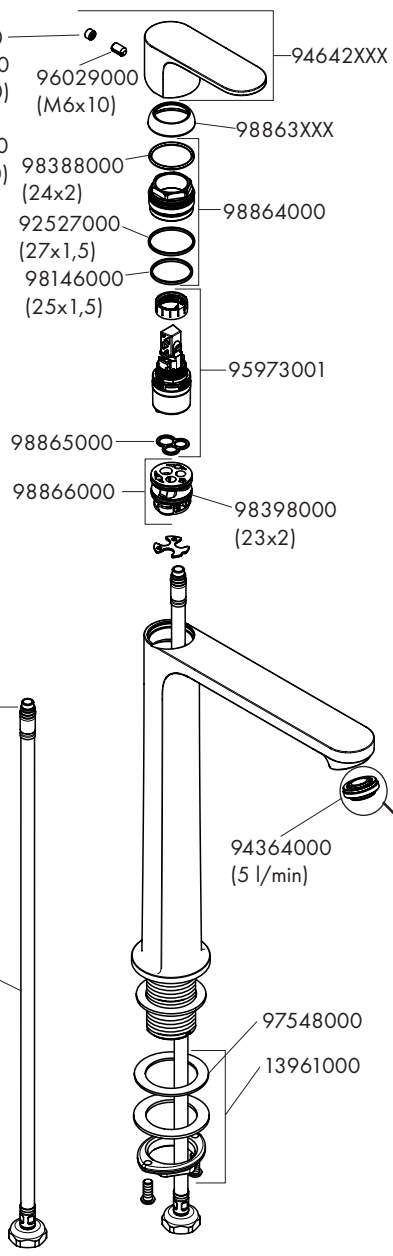
94364000
(5 l/min)



EcoSmart®

97548000

13961000



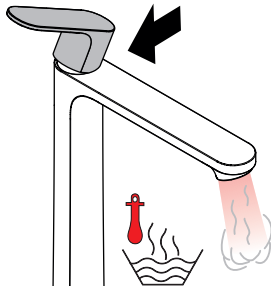
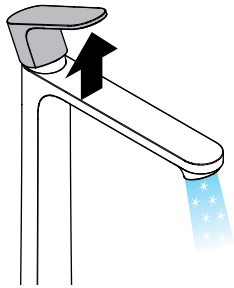


Rebris S 240 CoolStart

72580XXX / 72582000

Rebris S 240 CoolStart EcoSmart

72590XXX

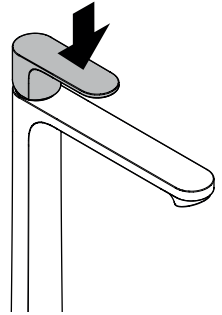
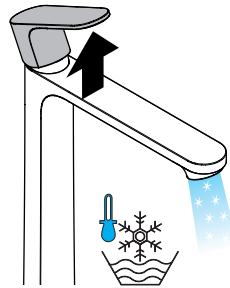


Rebris E 240 CoolStart

72581XXX / 72583000

Rebris E 240 CoolStart EcoSmart

72591XXX

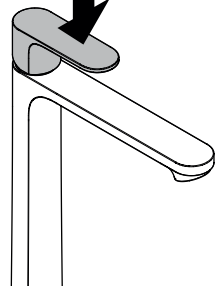
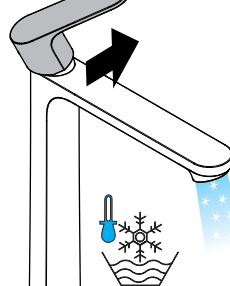
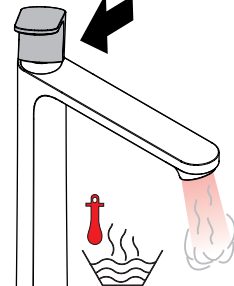
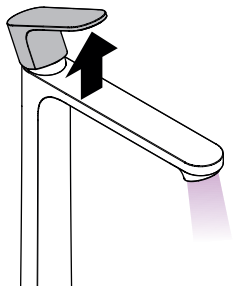


Rebris S 240

72542XXX

Rebris E 240

72545XXX



P-IX

DVGW NF



72580XXX PA-IX 38265/IO

72581XXX PA-IX 38265/IO

72582000 PA-IX 38265/IO

72583000 PA-IX 38265/IO

72590XXX PA-IX 38265/IO

72591XXX PA-IX 38265/IO

72542XXX PA-IX 38264/IO

72545XXX PA-IX 38264/IO

