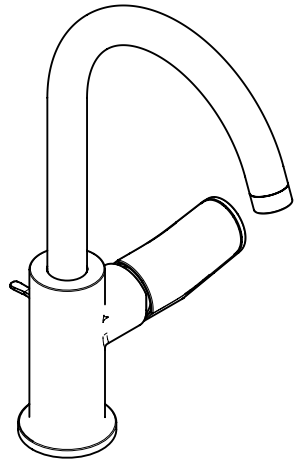
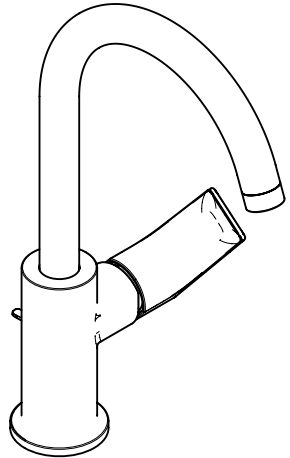


EN Instructions for use / Assembly instructions



Rebris S 210
72536XXX



Rebris E 210
72576XXX



Safety Notes

- ⚠ Gloves should be worn during installation to prevent crushing and cutting injuries.
- ⚠ The product may only be used for bathing, hygienic and body cleaning purposes.
- ⚠ The hot and cold supplies must be of equal pressures.

Installation Instructions

- Prior to installation, inspect the product for transport damages. After it has been installed, no transport or surface damage will be honoured.
- The pipes and the fixture must be installed, flushed and tested as per the applicable standards.
- The plumbing codes applicable in the respective countries must be observed.
- The drain valve must only be used as intended. It is not allowed to attach other objects to the drain valve, for example a semi-pedestal.
- If the instantaneous water heater causes problems or if you wish to increase the water flow, the EcoSmart® (flow limiter) located behind the aerator can be removed.

Technical Data

This mixer series-produced with EcoSmart® (flow limiter)

Operating pressure:	max. 1 MPa
Recommended operating pressure:	0,1 - 0,5 MPa
Test pressure:	1,6 MPa
	(1 MPa = 10 bar = 147 PSI)
Hot water temperature:	max. 60 °C
Thermal disinfection:	70 °C / 4 min

The product is exclusively designed for drinking water!

Symbol description



Do not use silicone containing acetic acid!



Adjustment (see page 36)

To adjust the hot water limiter. Using a hot water limiter in combination with a continuous flow water heater is not recommended.



Dimensions (see page 37)



Flow diagram (see page 37)



Spare parts (see page 39)

- XXX = Colors
- 000 = Chrome Plated
- 670 = Matt Black

Special accessories (order as an extra)



- special tool #58085000 (see page 34)



- Installation putty (see page 35)



Cleaning (see page 38)

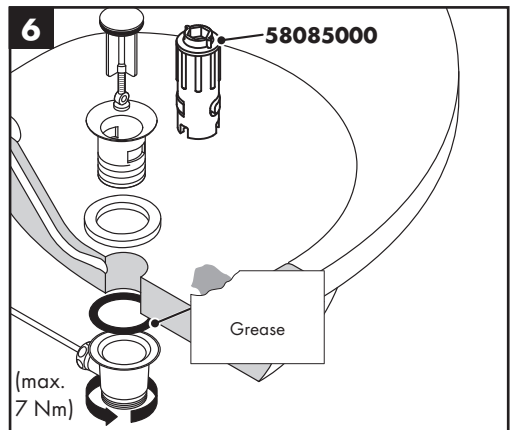
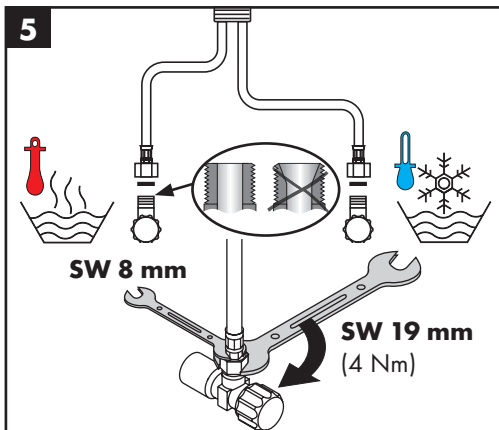
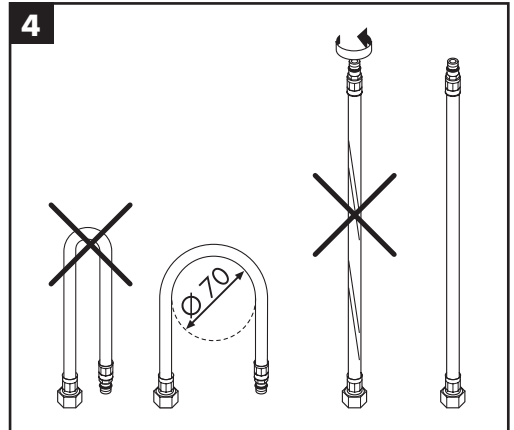
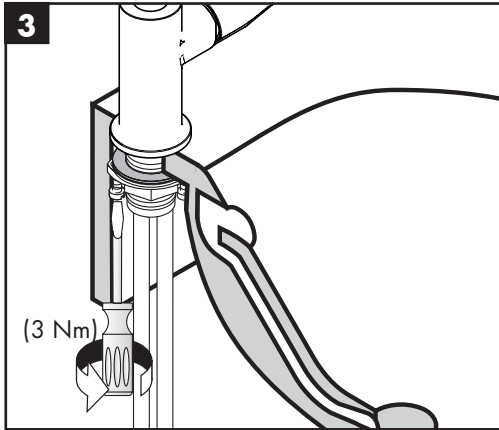
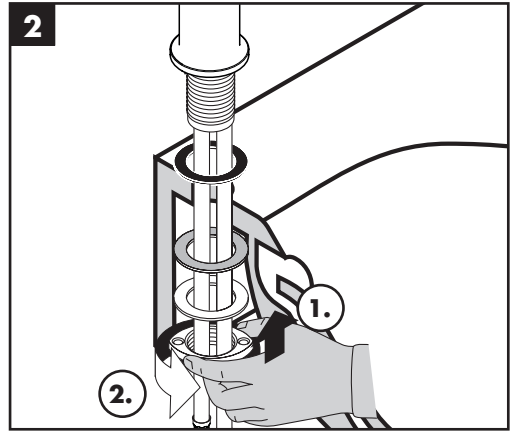
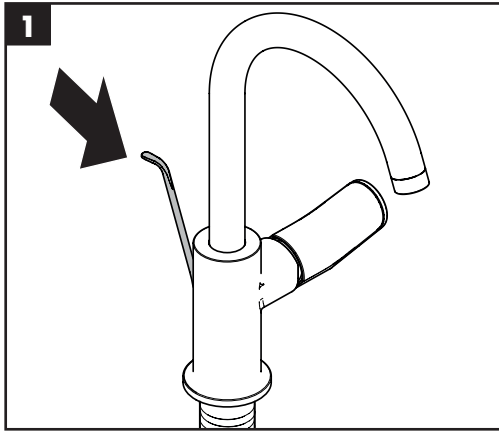


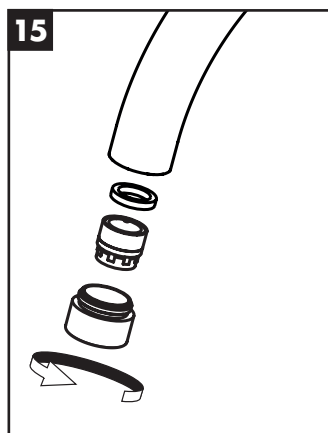
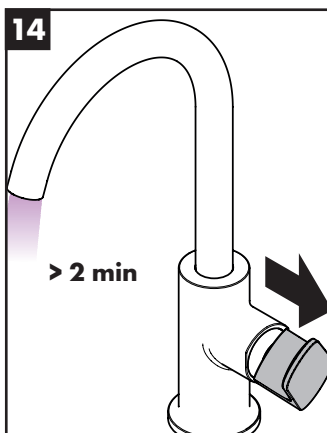
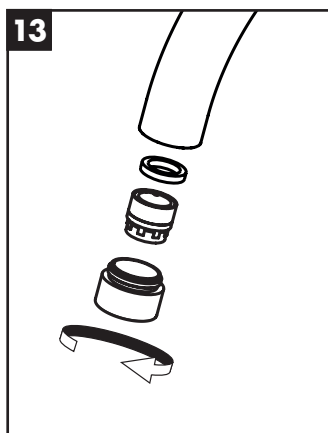
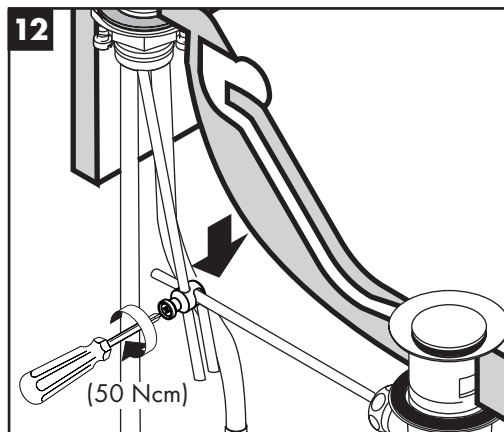
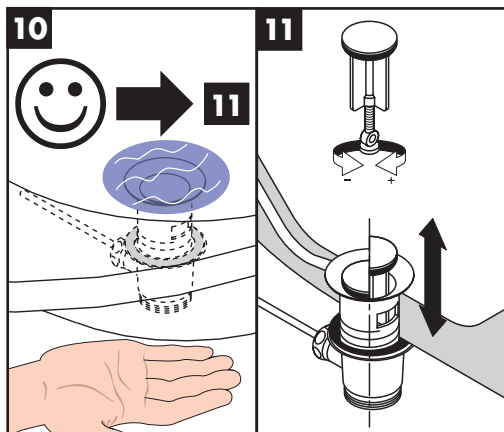
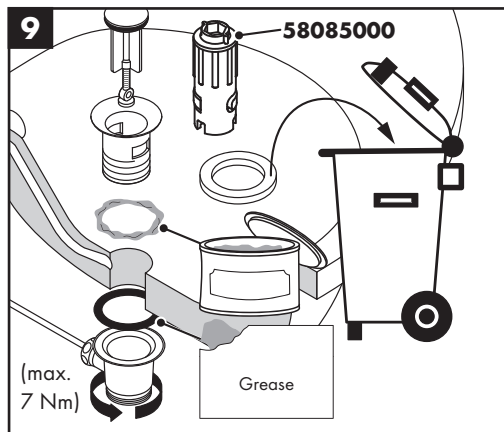
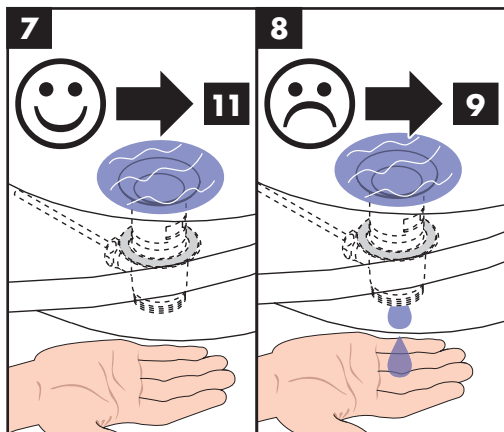
Operation (see page 40)

- Hansgrohe recommends not to use as drinking water the first half liter of water drawn in the morning or after a prolonged period of non-use.



Test certificate (see page 40)







60 °C



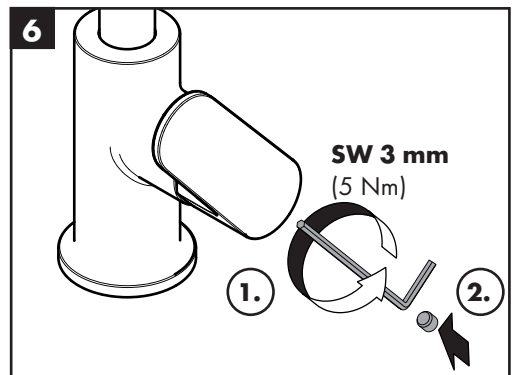
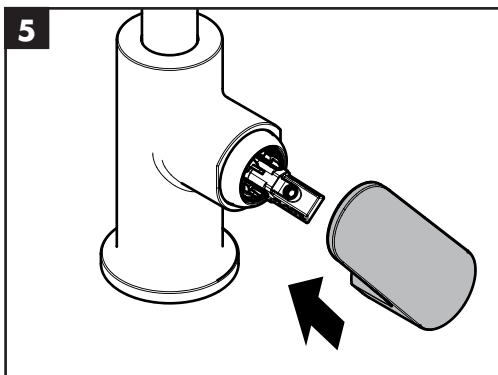
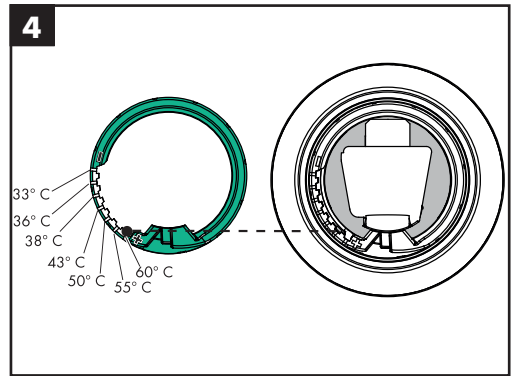
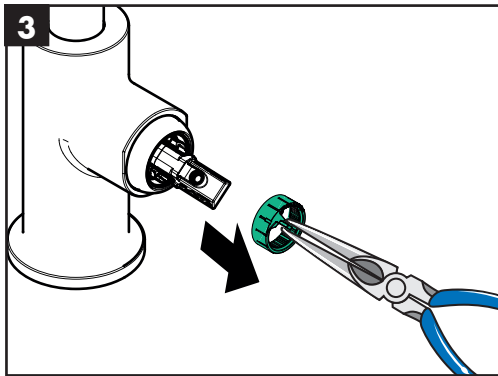
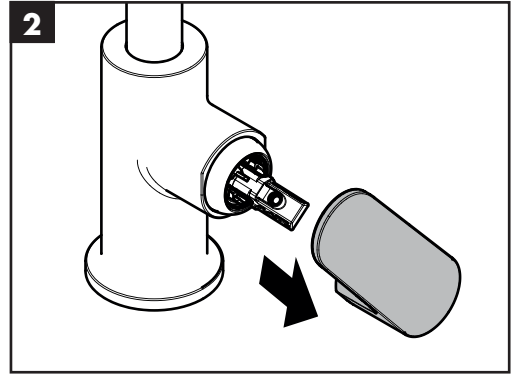
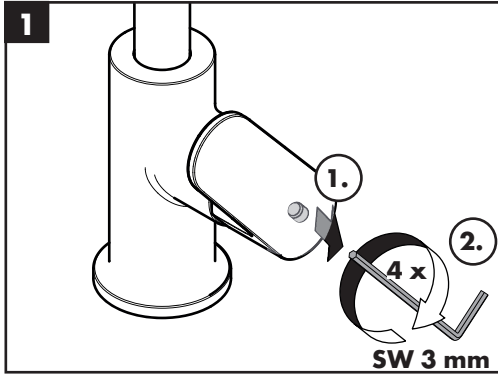
10 °C



0,3 MPa

0,3 MPa

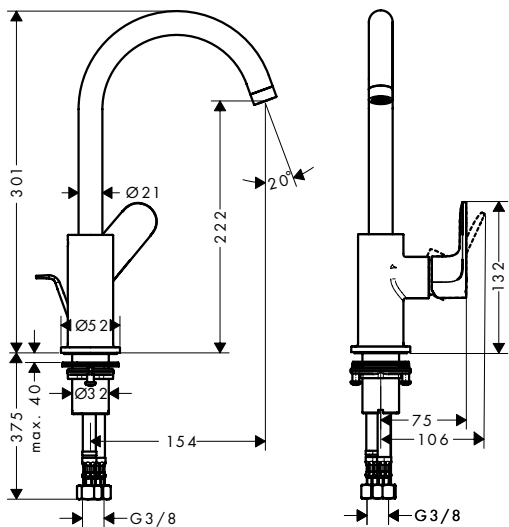
0,3 میجاباسکال





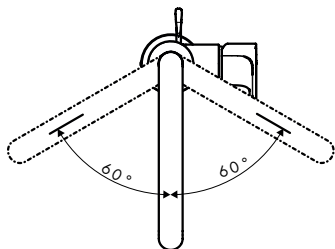
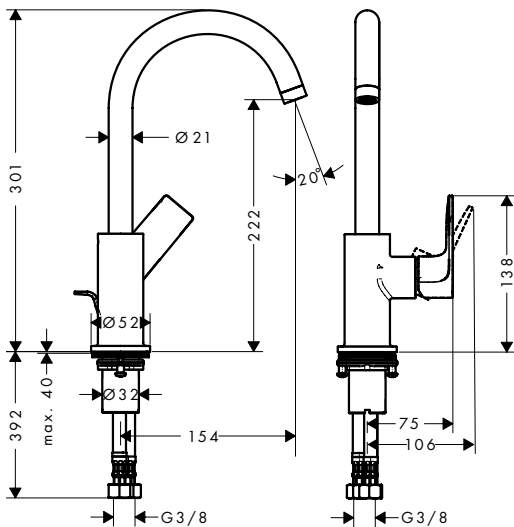
Rebris S 210

72536XXX

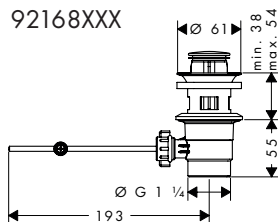


Rebris E 210

72576XXX



92168XXX

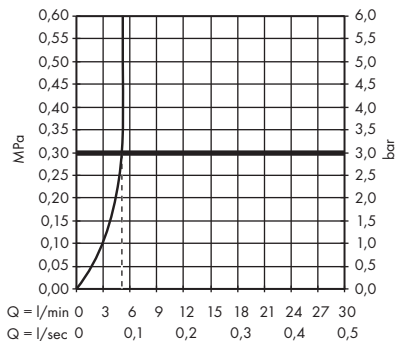


Rebris S 210

72536XXX

Rebris E 210

72576XXX



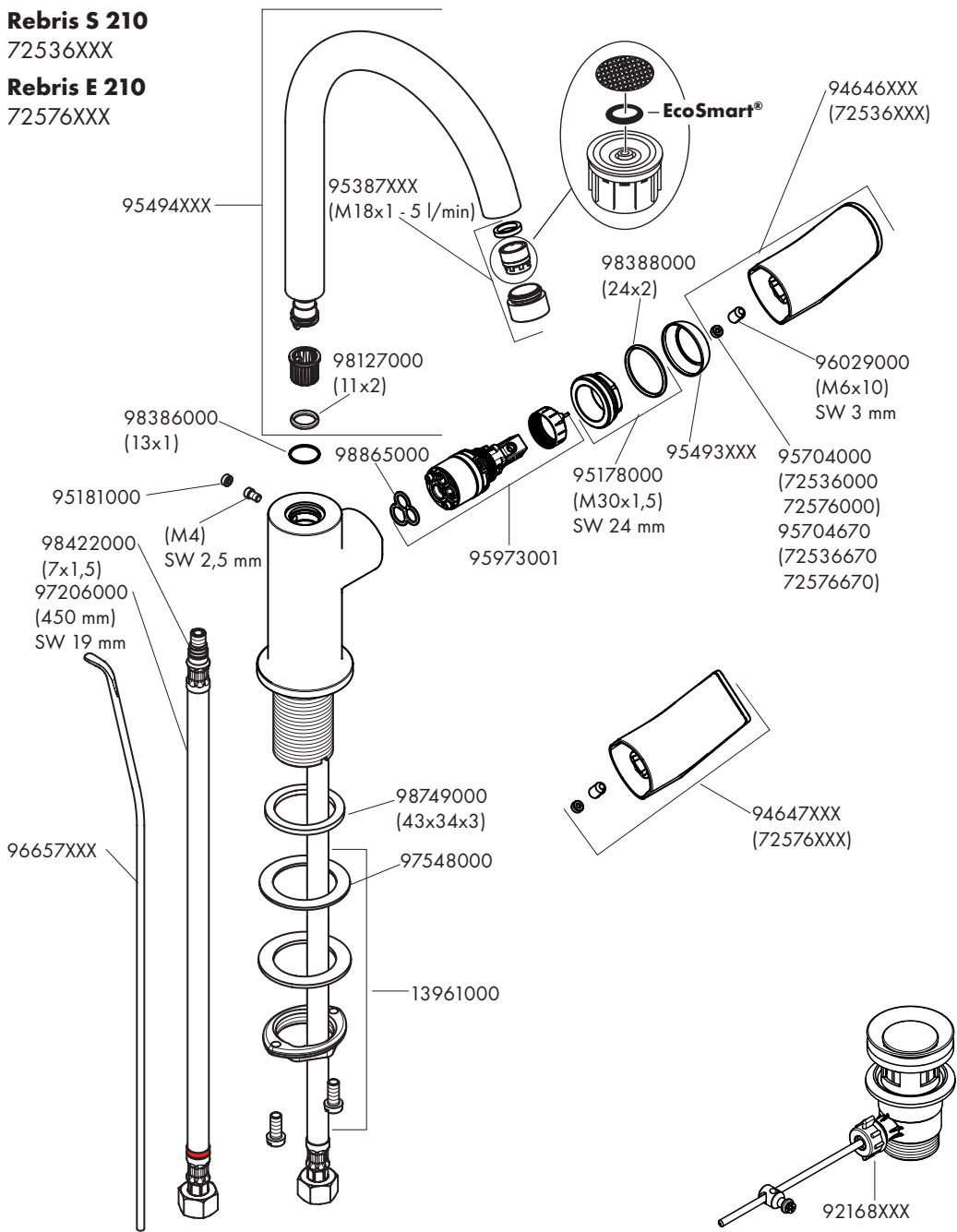


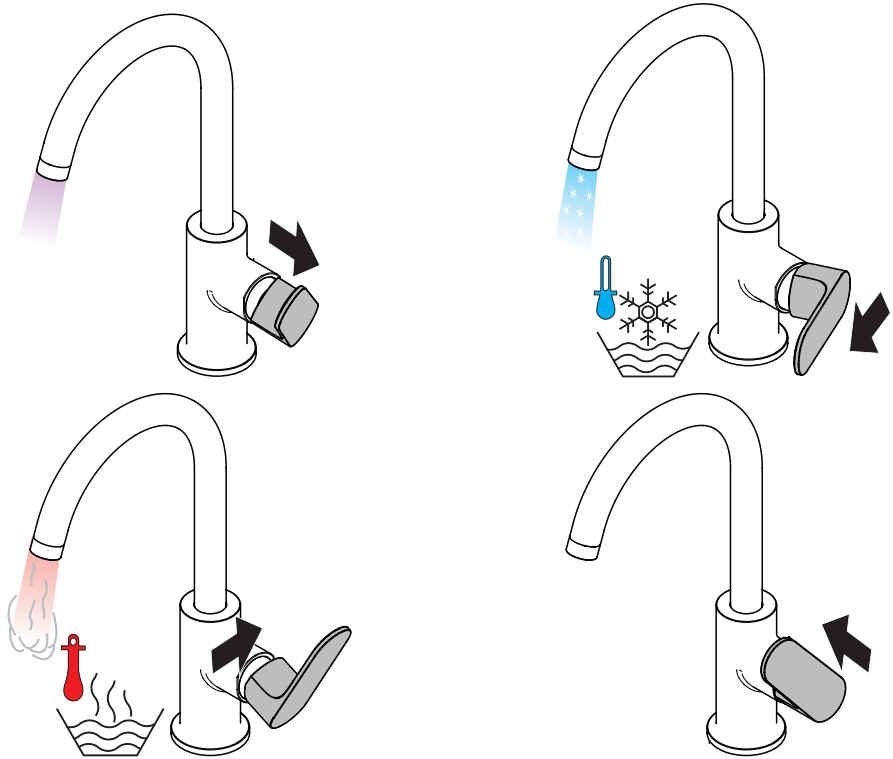
Rebris S 210

72536XXX

Rebris E 210

72576XXX





P-IX

DVGW SINTEF NF



ETA



72536XXX PA-IX 38266/IO DN0342

X

72576XXX PA-IX 38266/IO DN0342

X

