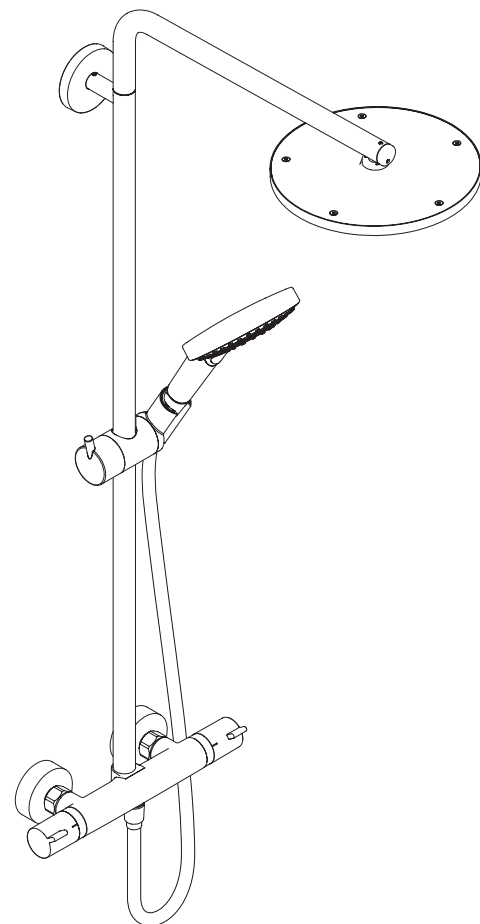


| | | |
|-----------|---|-----------|
| DE | Gebrauchsanleitung / Montageanleitung | 2 |
| FR | Mode d'emploi / Instructions de montage | 3 |
| EN | Instructions for use / Assembly instructions | 4 |
| IT | Istruzioni per l'uso / Istruzioni per Installazione | 5 |
| ES | Modo de empleo / Instrucciones de montaje | 6 |
| NL | Gebruiksaanwijzing / Handleiding | 7 |
| DK | Brugsanvisning / Monteringsvejledning | 8 |
| PT | Instruções para uso / Manual de Instalação | 9 |
| PL | Instrukcja obsługi / Instrukcja montażu | 10 |
| CS | Návod k použití / Montážní návod | 11 |
| SK | Návod na použitie / Montážny návod | 12 |
| ZH | 用户手册 / 组装说明 | 13 |
| RU | Руководство пользователя / Инструкция по монтажу | 14 |
| FI | Käyttöohje / Asennusohje | 15 |
| SV | Bruksanvisning / Monteringsanvisning | 16 |
| LT | Vartotojo instrukcija / Montavimo instrukcijos | 17 |
| HR | Upute za uporabu / Uputstva za instalaciju | 18 |
| RO | Manual de utilizare / Instrucțiuni de montare | 19 |
| EL | Οδηγίες χρήσης / Οδηγία συναρμολόγησης | 20 |
| SL | Navodilo za uporabo / Navodila za montažo | 21 |
| ET | Kasutusjuhend / Paigaldusjuhend | 22 |
| LV | Lietošanas pamācība / Montāžas instrukcija | 23 |
| SR | Uputstvo za upotrebu / Uputstvo za montažu | 24 |
| NO | Bruksanvisning / Montasjeveiledning | 25 |
| BG | Инструкция за употреба / Ръководство за монтаж | 26 |
| JP | 取扱説明書 / 施工説明書 | 27 |
| SQ | Udhëzuesi i përdorimit / Udhëzime rreth montimit | 28 |
| AR | دليل الاستخدام / تعليمات التجميع | 29 |
| TR | Kullanım kılavuzu / Montaj kılavuzu | 30 |
| HU | Használati útmutató / Szerelési útmutató | 31 |



Raindance Select S
Showerpipe 240 1jet PowderRain
 27633670 / 27633700 / 27867670



Safety Notes

- ⚠ Gloves should be worn during installation to prevent crushing and cutting injuries.
- ⚠ The product may only be used for bathing, hygienic and body cleaning purposes.
- ⚠ The arm of the shower head is intended only to hold the shower head. Do not load it down with other objects!
- ⚠ Children as well as adults with physical, mental and/or sensoric impairments must not use this product without proper supervision. Persons under the influence of alcohol or drugs are prohibited from using this product.
- ⚠ Do not allow the streams of the shower touch sensitive body parts (such as your eyes). An adequate distance must be kept between the shower and you.
- ⚠ The product may not be used as a holding handle. A separate handle must be installed.
- ⚠ The hot and cold supplies must be of equal pressures.

Installation Instructions

- Prior to installation, inspect the product for transport damages. After it has been installed, no transport or surface damage will be honoured.
- The pipes and the fixture must be installed, flushed and tested as per the applicable standards.
- The plumbing codes applicable in the respective countries must be observed.
- The installation dimensions stated in these installation instructions are ideal for people of approximately 1800 mm in body height. The dimensions can be altered if required. In this case, pay attention to the fact that a change of installation height will also change the minimum height, and that the altered mounting dimensions must be taken into consideration.
- During installation of the product by qualified trained personnel, make sure that the entire fastening surface is even and smooth (no protruding seams or tile offset), that the finish of the wall is suitable to apply the product and has no weak points.
- The pre-mounted filter insert must be used to ensure a normal flow of the shower and to prevent dirt from entering through the pipes. Dirt entering can affect the function and/or lead to damages to the shower. Hansgrohe will not be held liable for this type of damage.
- The product is not designed to be used with steam baths!
- If required, the bottom part of the pipe between the fixture and the shower head can be shortened with a fine-toothed saw.
- If the continuous water heater causes any problems, or you have different water pressures you must install a water limiter to the cold supply, (ordered separately, article number 97510000).

Technical Data

| | |
|---------------------------------|----------------------------|
| Operating pressure: | max. 1 MPa |
| Recommended operating pressure: | 0,1 - 0,5 MPa |
| Test pressure: | 1,6 MPa |
| | (1 MPa = 10 bar = 147 PSI) |
| Hot water temperature: | max. 60 °C |
| Centre distance: | 150±12 mm |
| Connections G 1/2: | cold right - hot left |
| Thermal disinfection: | 70 °C / 4 min |

- Safety against backflow
- The product is exclusively designed for drinking water!

Symbol description



Do not use silicone containing acetic acid!

max. $\approx 42^{\circ}\text{C}$ Safety Function (see page 34)

The desired maximum temperature for example max. 42 ° C can be pre-set thanks to the safety function.



Adjustment (see page 34)

After the installation, the output temperature of the thermostat must be checked. A correction is necessary if the temperature measured at the output differs from the temperature set on the thermostat.



Maintenance (see page 38)

- The check valves must be checked regularly according to EN 806-5 in accordance with national or regional regulations (at least once a year).
- To guarantee the smooth running of the thermostat, it is necessary from time to time to turn the thermostat from total hot to total cold.



Dimensions (see page 39)



Flow diagram (see page 39)



Spare parts (see page 40)

XXX = Colors
670 = Matt Black
700 = Matt White

Special accessories (order as an extra)



tile-matching-disk Chrome Plated #95239XXX (see page 40)



Cleaning (see page 36)

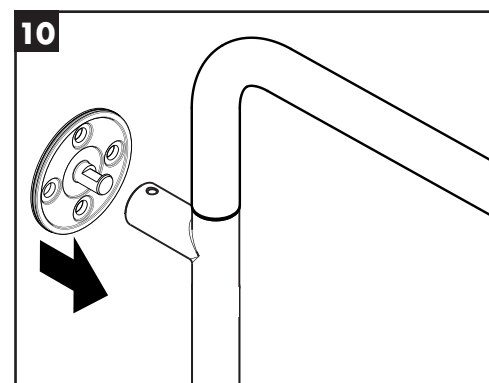
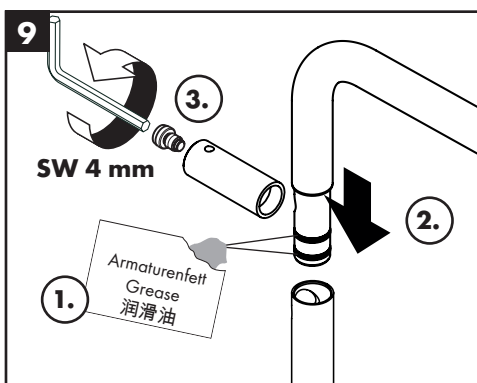
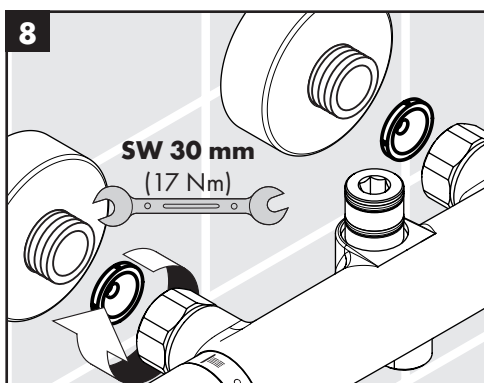
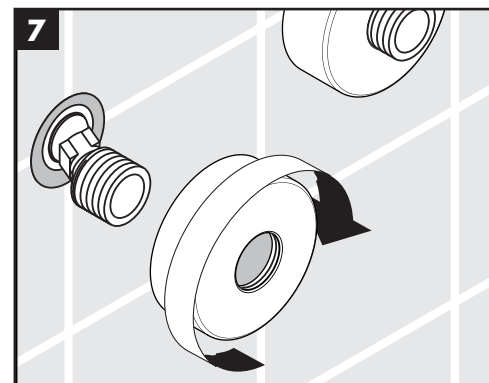
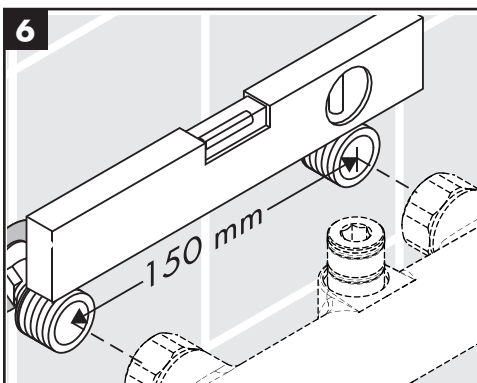
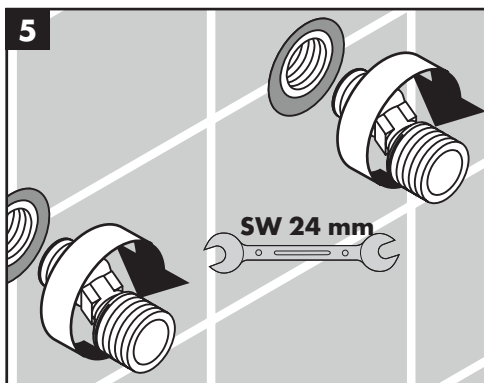
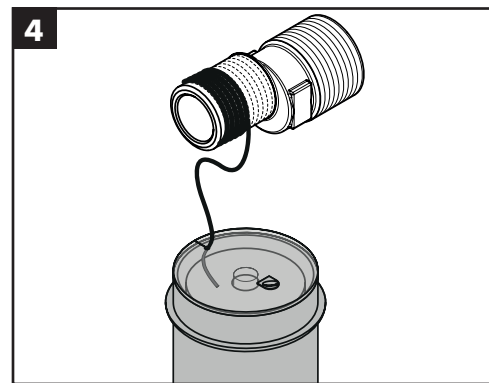
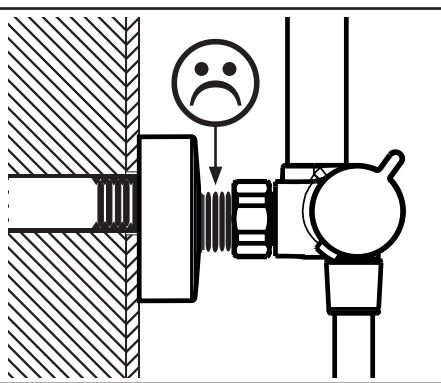
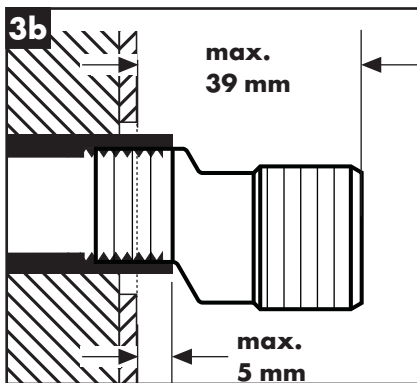
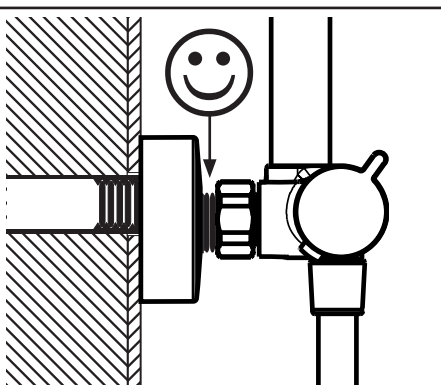
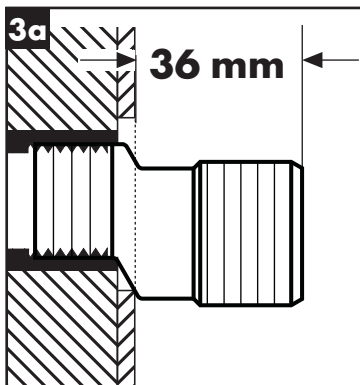
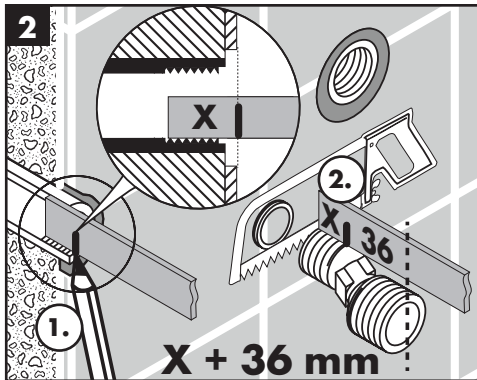
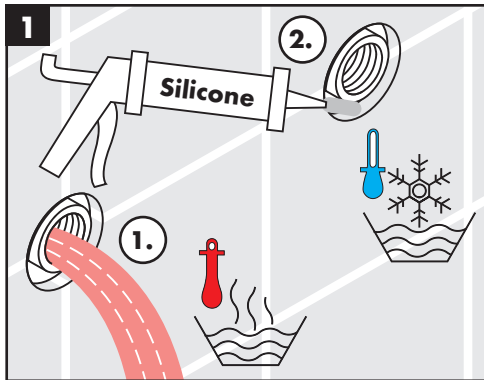


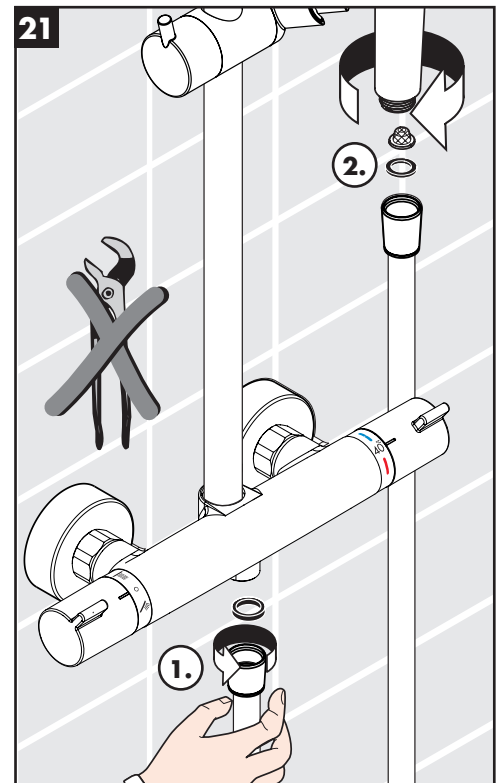
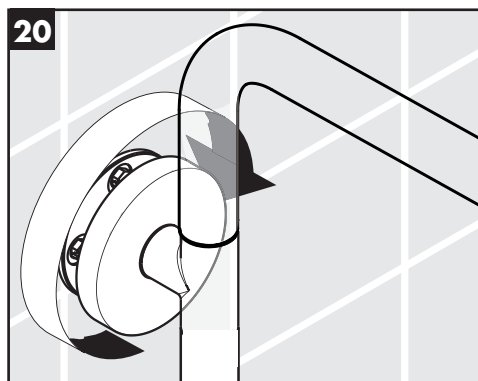
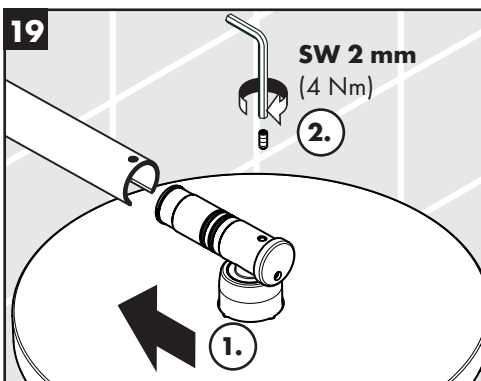
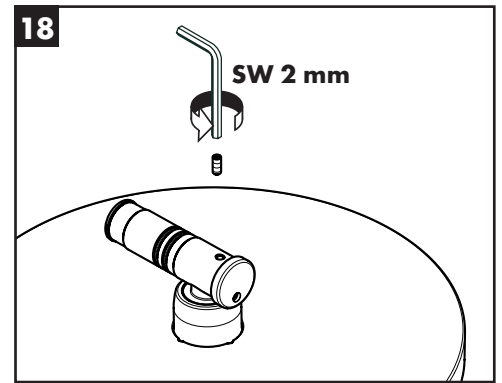
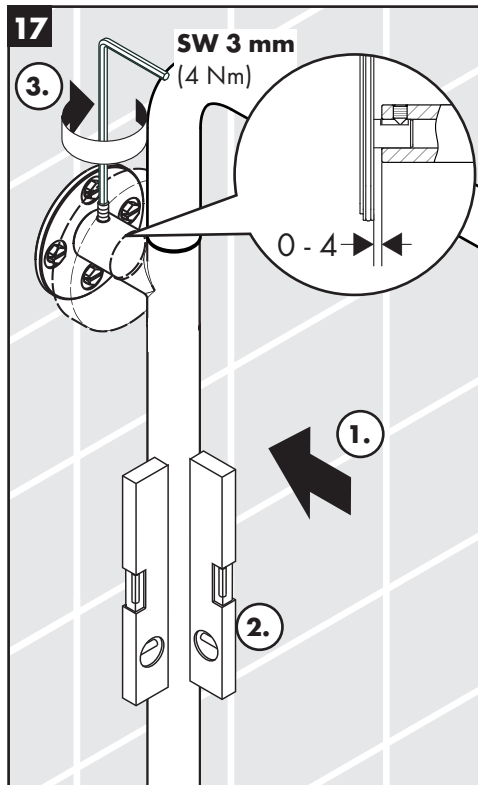
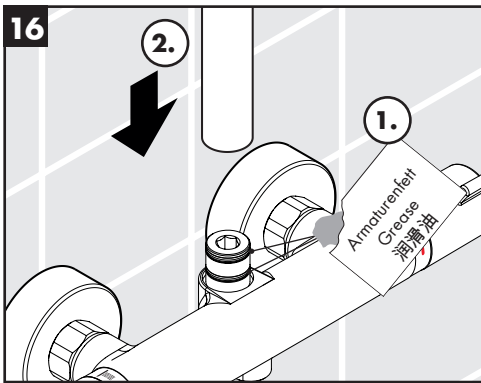
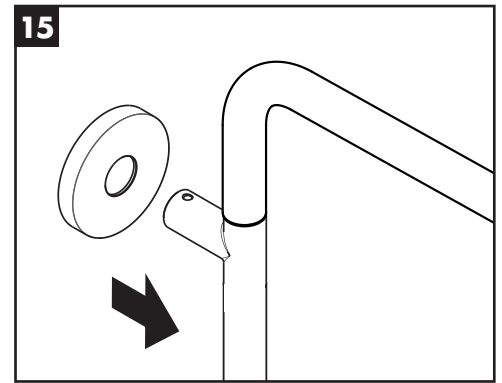
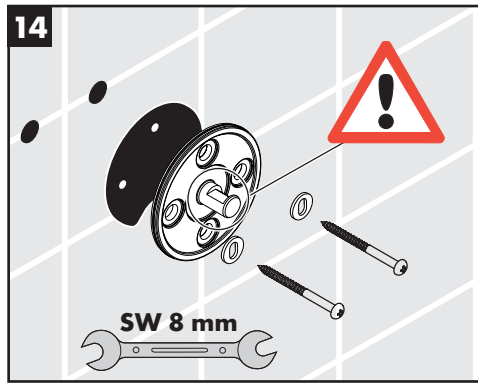
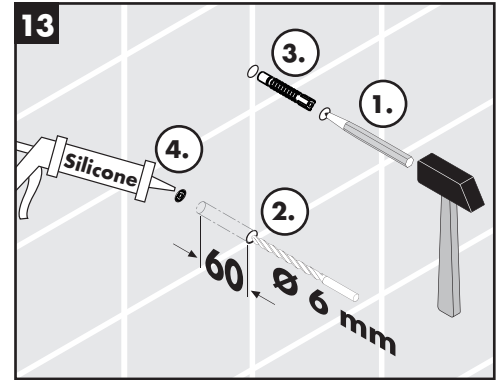
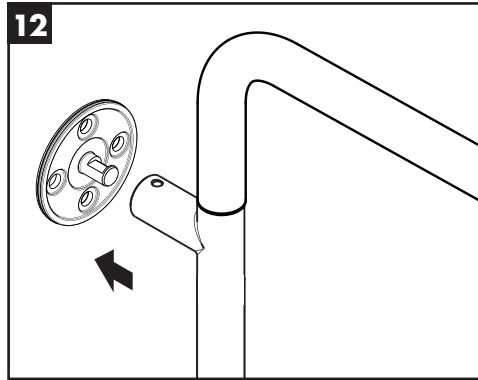
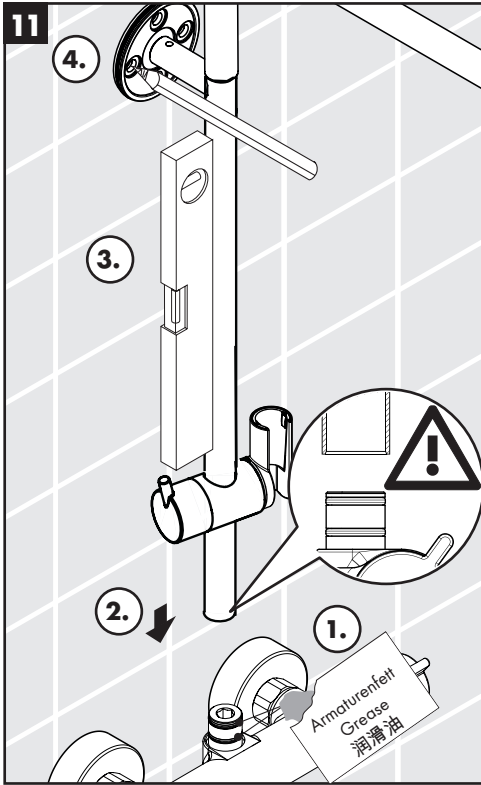
Operation (see page 35)

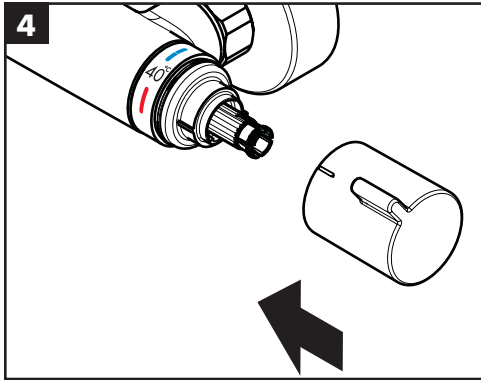
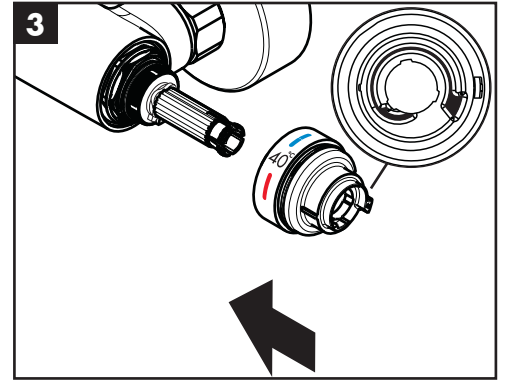
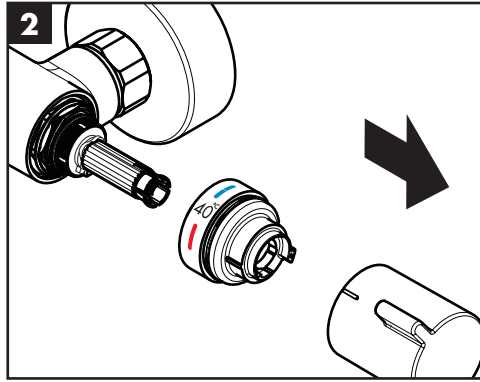
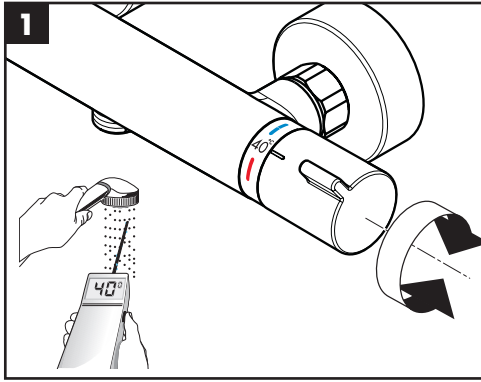


Test certificate (see page 40)

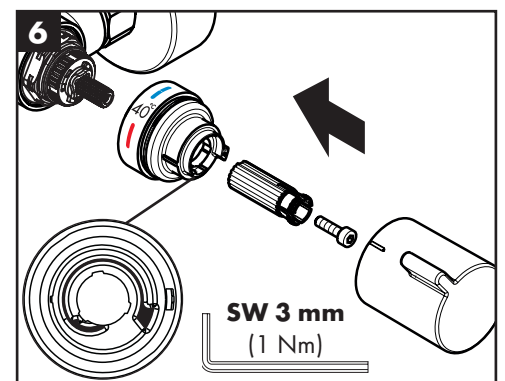
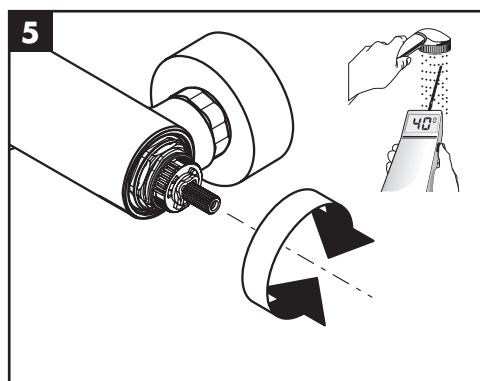
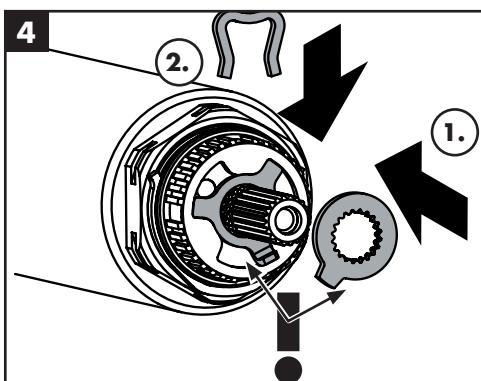
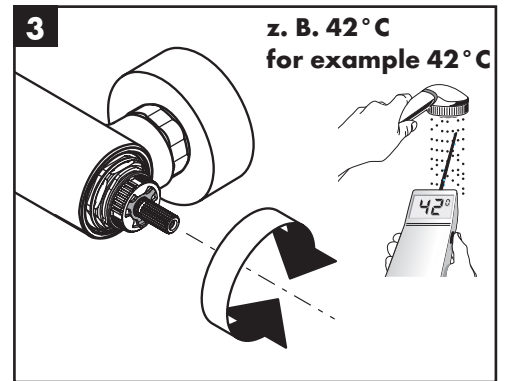
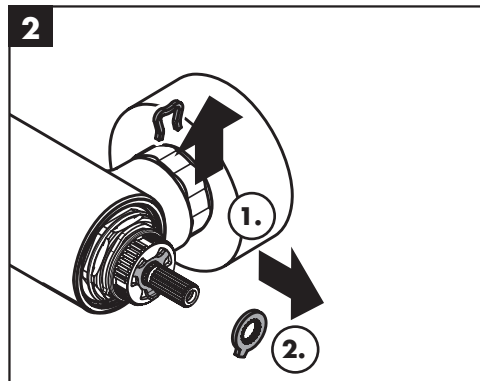
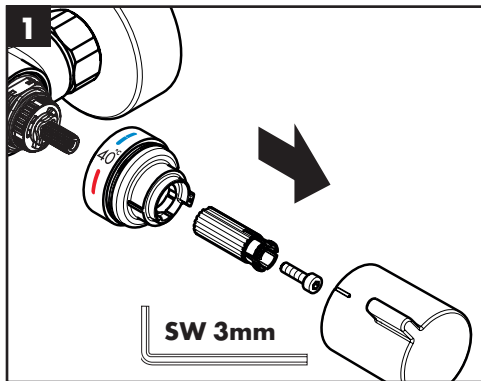
| Fault | Cause | Remedy |
|---|--|--|
| Insufficient water | - Supply pressure inadequate | - Check water pressure (If a pump has been installed check to see if the pump is working). |
| | - Regulator filter dirty ('96922000) | - Clean filter in front of the mixer and on the MTC-thermo cartridge |
| | - filter insert shower dirty | - Clean filter insert between shower and hose |
| Crossflow, hot water being forced into cold water pipe, or vice versa, when mixer is closed | - Backflow preventers dirty or leaking | - Clean backflow preventers, exchange if necessary |
| Spout temperature does not correspond with temperature set | - Thermostat has not been adjusted | - Adjust thermostat |
| | - Hot water temperature too low | - Increase hot water temperature to 42 °C to 60 °C |
| Temperature regulation not possible | - thermo cartridge calcified | - Exchange thermo cartridge |
| Instantaneous heater didn't work with thermostat | - Schmutzfangsiebe verschmutzt | - Clean the filter / exchange filter |
| | - check valve hasn't moved back | - Exchange check valves |
| | - Flow limiter in handshower isn't removed | - Remove flow limiter |

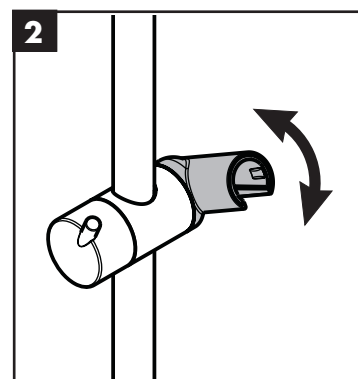
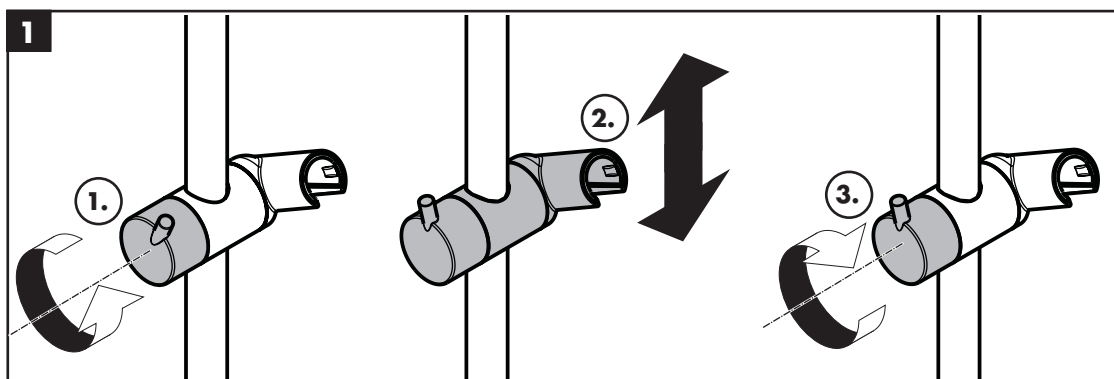
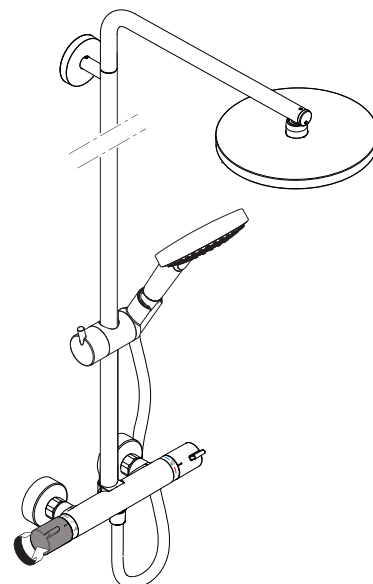
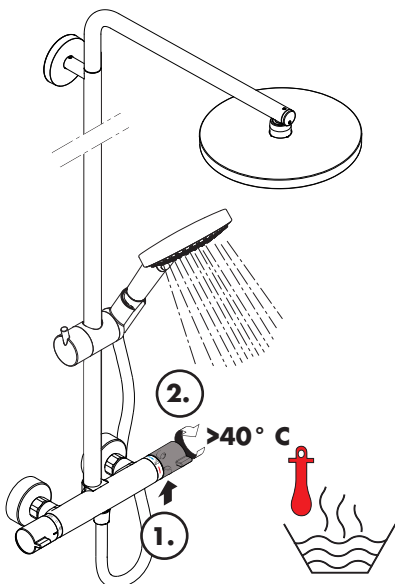
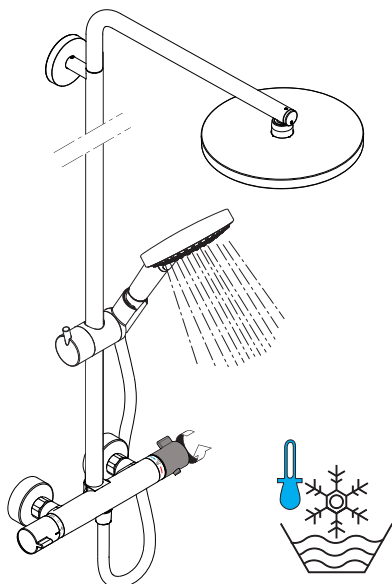
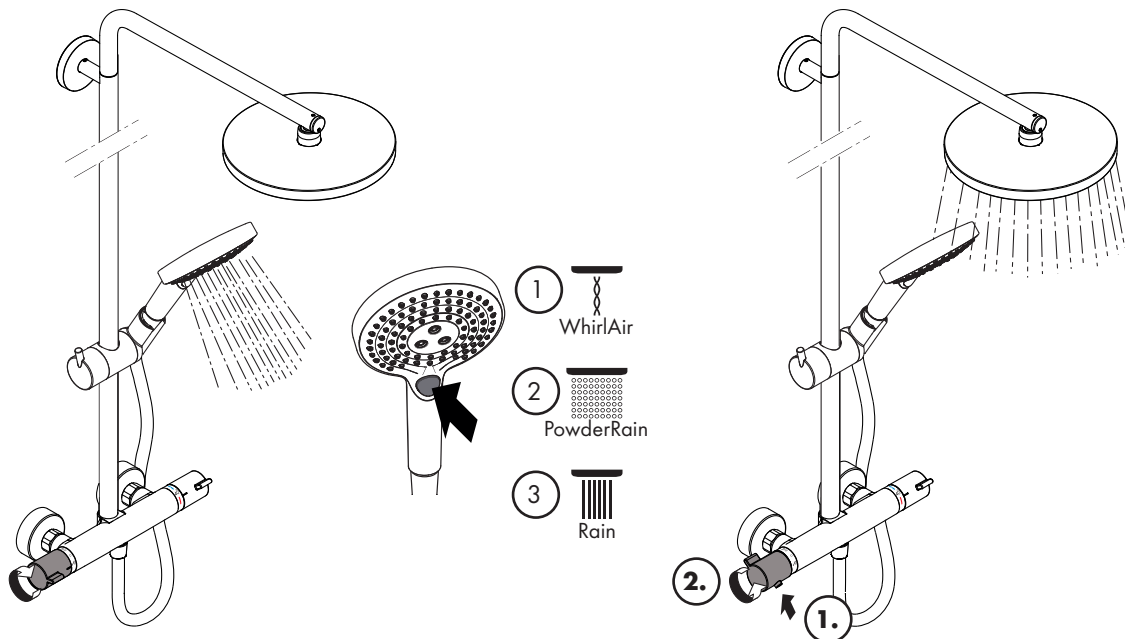






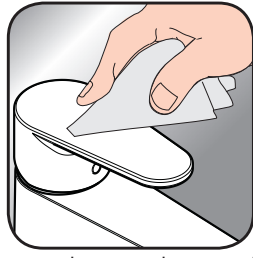
max.
≈ 42 °C







[www.hansgrohe.com/
cleaning-recommendation](http://www.hansgrohe.com/cleaning-recommendation)



[www.hansgrohe.com/
cleaning-recommendation](http://www.hansgrohe.com/cleaning-recommendation)



[www.hansgrohe.com/
cleaning-recommendation](http://www.hansgrohe.com/cleaning-recommendation)



[www.hansgrohe.com/
cleaning-recommendation](http://www.hansgrohe.com/cleaning-recommendation)

DE Reinigungsempfehlung / Garantie / Kontakt

FR Recommandation pour le nettoyage / Garanties / Contact

EN Cleaning recommendation / Warranty / Contact

IT Raccomandazione di pulizia / Garanzia / Contatto

ES Recomendaciones para la limpieza / Garantía / Contacto

NL Aanbevelingen inzake reiniging / Garantie / Contact

DK Rengøringsvejledning / Garanti / Kontakt

PT Recomendações de limpeza / Garantia / Contacto

PL Zalecenie dotyczące pielęgnacji / Gwarancja / Kontakt

CS Doporučení k čištění / Záruka / Kontakt

SK Odporúčania pre čistenie / Záruka / Kontakt

ZH 清洁指南 / 担保 / 接触

RU Рекомендации по очистке / Гарантия / Контакты

FI Puhdistussuositus / Takuu / Kosketus

SV Rengöringsrekommendationer / Garanti / Contacto

LT Valymo rekomendacijos / Garantija / Kontaktai

HR Preporuke za čišćenje / Garancija / Kontakt

TR Temizleme önerisi / Garanti / Temas

RO Recomandări pentru curățare / Garanție / Contact

EL Σύσταση καθαρισμού / Εγγύηση / επαφή

SL Priporočilo za čišćenje / Garancija / Kontakt

ET Puhastussoovitused / Garantii / Kontakt

LV Tīrīšanas ieteikumi / Garantija / Kontakti

SR Preporuke za čišćenje / Garancija / Kontakt

NO Anbefaling for rengjøring / Garanti / Kontakt

BG Препоръка за почистване / Гаранция / Контакт

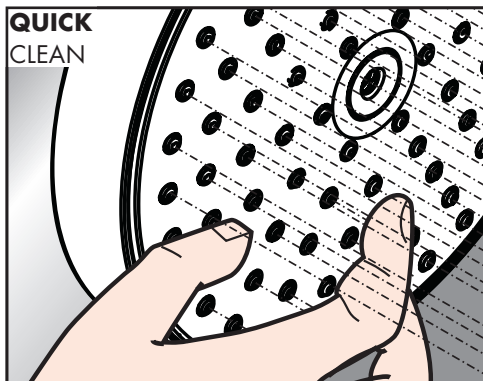
SQ Këshilla rreth pastrimit / Garancia / Kontakt

KO 세정시 권장사항 / 품질보증 / 접촉

AR توصيات التنظيف / الضمان (الولايات المتحدة الأمريكية) / اتصال

HU Tisztítási tanácsok / Garancia / érintkezés

JP お手入れの方法 / 保証について / ご連絡先



DE Einfach sauber: Kalk lässt sich von den Noppen ganz leicht abrubbeln.

FR La propreté en toute simplicité: les dépôts formés sur les buses élastiques en silicone s'éliminent par un simple passage de la main.

EN Just clean: simply rub over the spray nozzles to remove lime scale.

IT Facile da pulire: Il calcare viene eliminato semplicemente dagli ugelli elastici in silicone.

ES Fácil asear: La cal se puede retirar sencillamente frotando con los dedos de las toberas elásticas de silicona.

NL Eenvoudig schoon: Kalk kan eenvoudig van de noppen worden gewreven.

DK Enkel rengøring: Det er let at fjerne kalkaflejringer fra stråledyserne.

PT Simplesmente limpo: o calcário pode ser simplesmente retirado das saiências através de fricção.

PL Po prostu czysto: Pęczki można całkiem łatwo oczyścić z kamienia.

CS Jednoduše čistě: Vapenné usazeniny můžete z noplek snadno odstranit otřením.

SK Jednoducho čistý: Vodný kameň sa dá zo štetín celkom ľahko odstrániť.

ZH 清洁: 只需要揉搓花洒表面的出水孔即可去除水垢。

RU Простота чистки: известь очень легко стирается с утолщений.

FI Yksinkertaisesti puhdas: kalkin voi helposti hieroa irti nypyistä.

SV Enkelt att göra rent: det är lätt att ta bort kalk från nopporna.

LT Paprasta švara: kalkės lengvai nugrandomos nuo kilpos.

HR Jednostavno čisto: Kamenac se sasvim lako uklanja s izbočina.

TR Sadece temiz: Kireç, düğümlele kolayca ovalanabilir.

RO Pur și simplu curat: Calcarul se îndepărtează ușor de pe noduri prin frecare.

EL Απλά τέλεια καθαριότητα: Τα άλata μπορούν να αφαιρεθούν με μεγάλη ευκολία από τα σπόμενα.

SL Preprosto čisto: apnenec se z lahkoto podrgne z vozličkov.

ET Lihtsalt puhas: lujja saab nuppudele lihtsalt maha hõõruda.

LV Vienkārša tīrīšana: kaļķis no izvirzījumiem ir viegli norubināms.

SR Jednostavno čisto: Kamenac se sasvim lako skida sa izbočina.

NO Simpelten ren: Ved å gnikke er det lett å fjerne kalk fra nuppene.

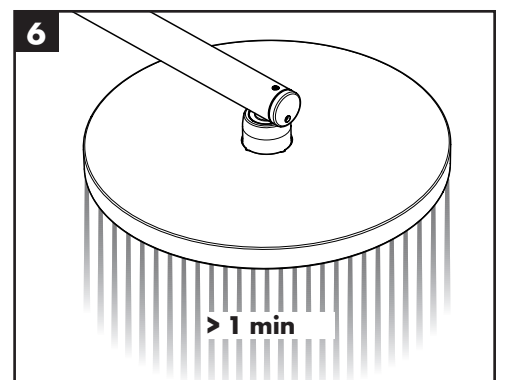
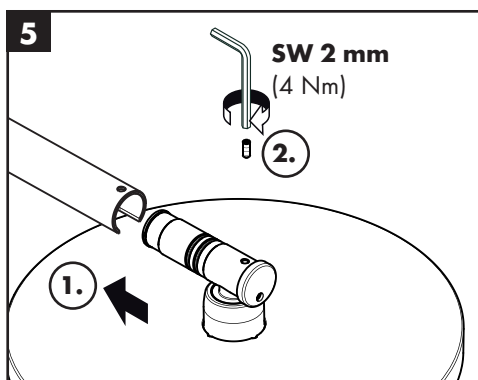
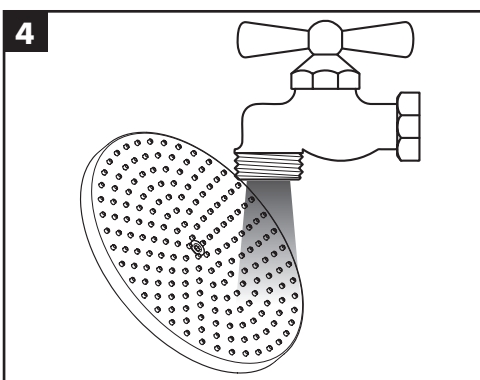
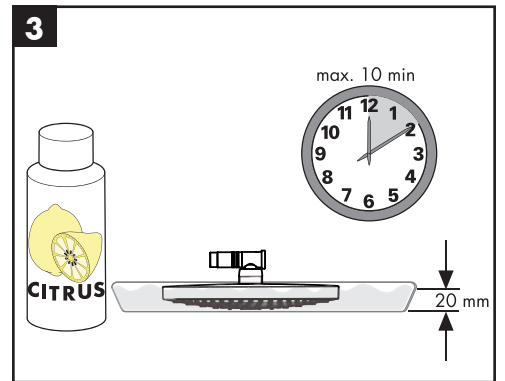
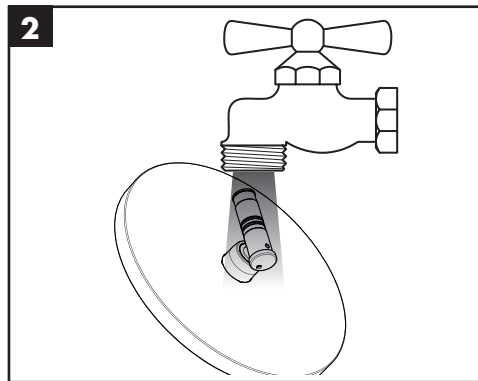
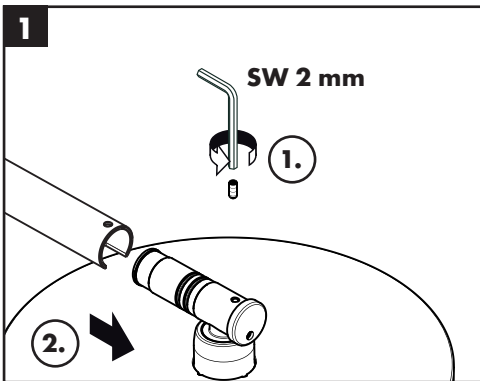
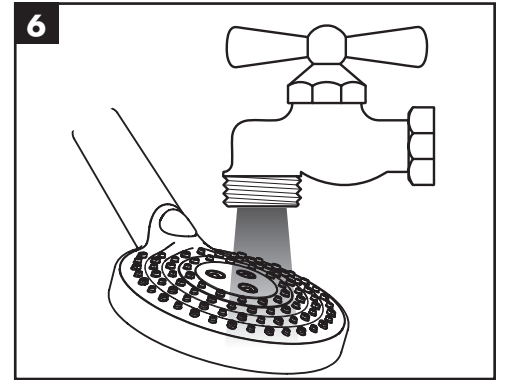
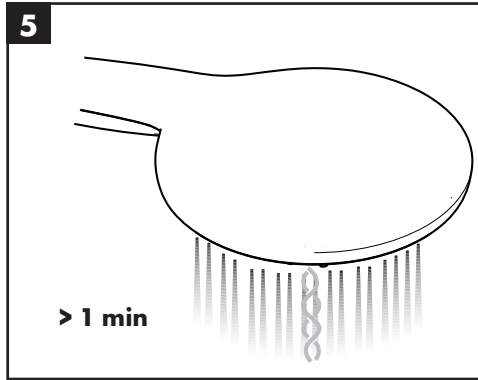
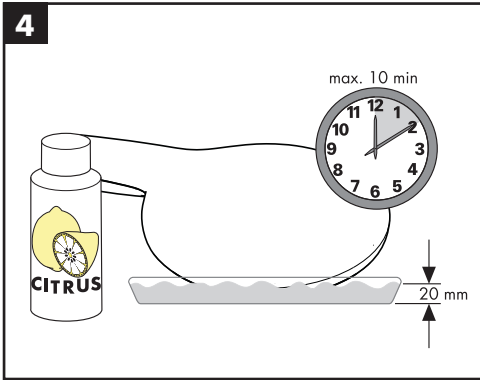
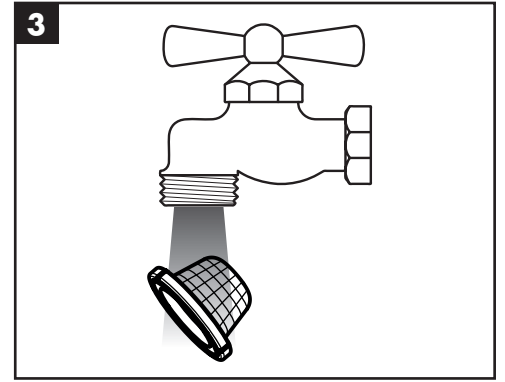
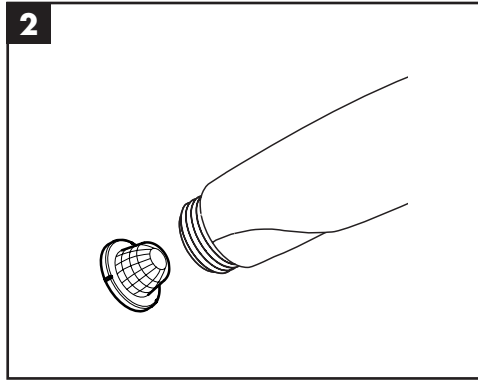
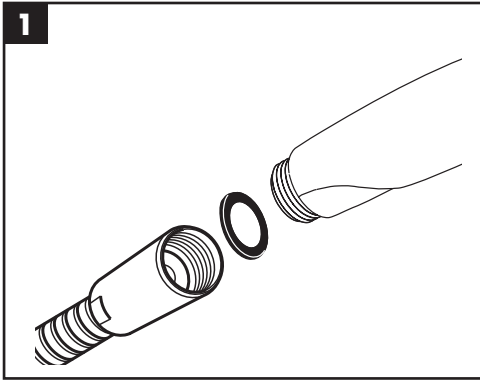
BG Просто чисто: Варовикът лесно може да се изтърси от удебеленията.

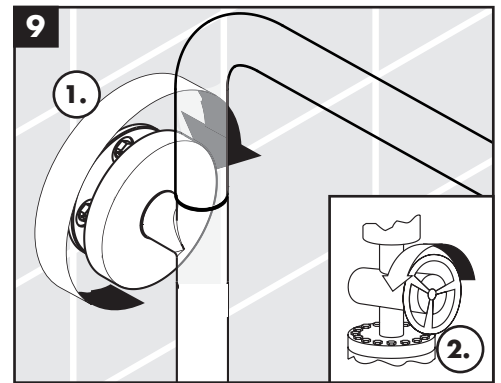
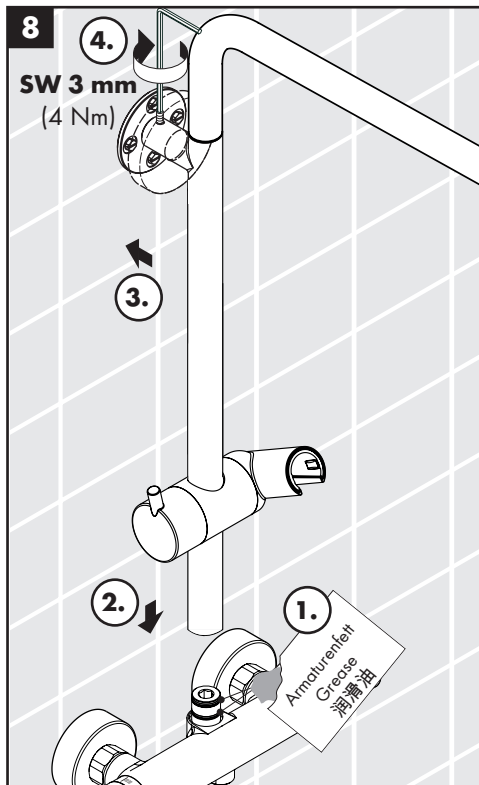
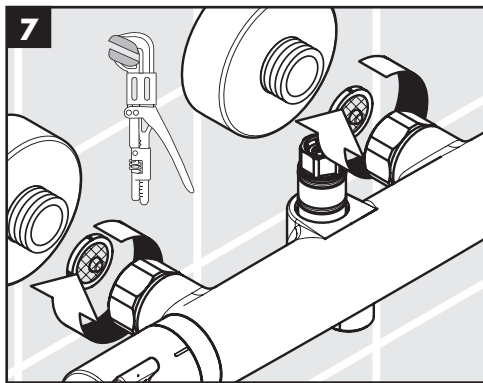
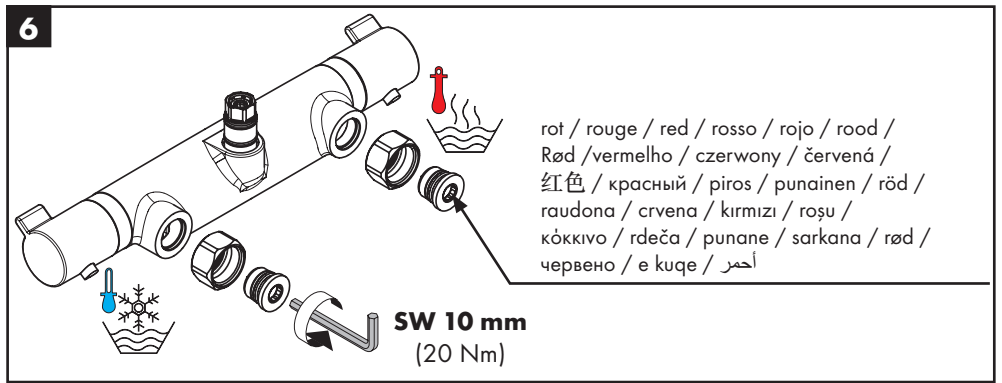
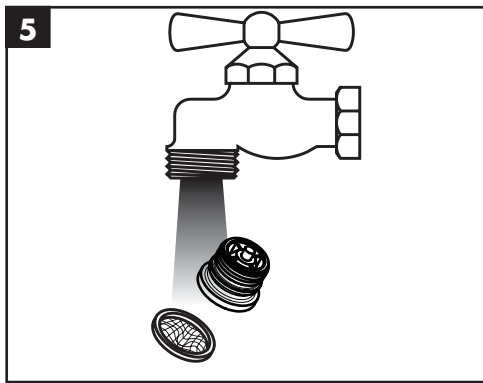
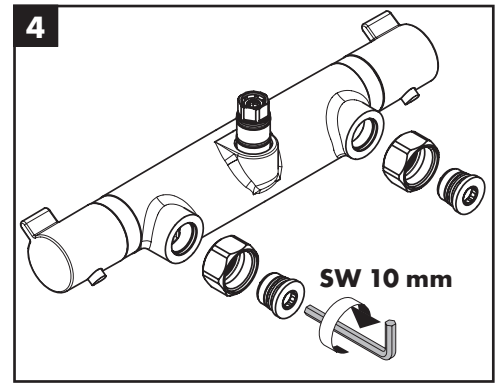
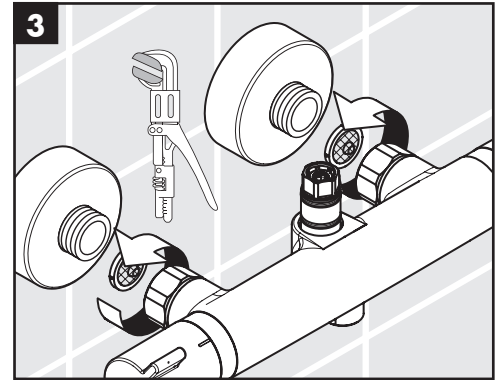
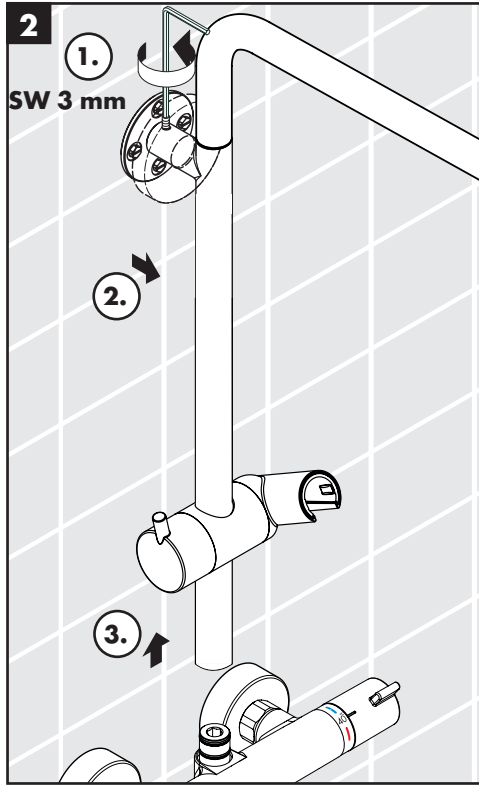
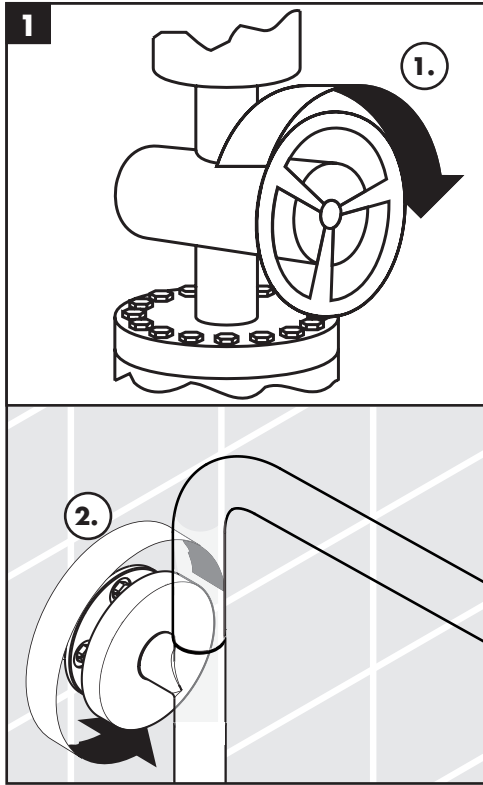
SQ Thjesht dhe pastër. Mbetjet gëlqerore mund të hiqen me fërkim të lehtë.

AR إنه سهل التنظيف، حيث يسقط الجير بسهولة شديدة من الأجزاء النائنة

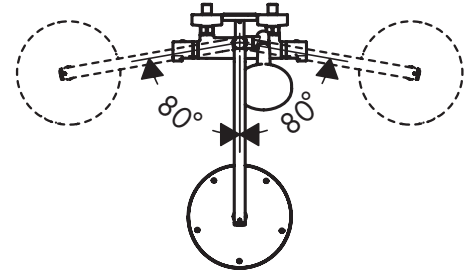
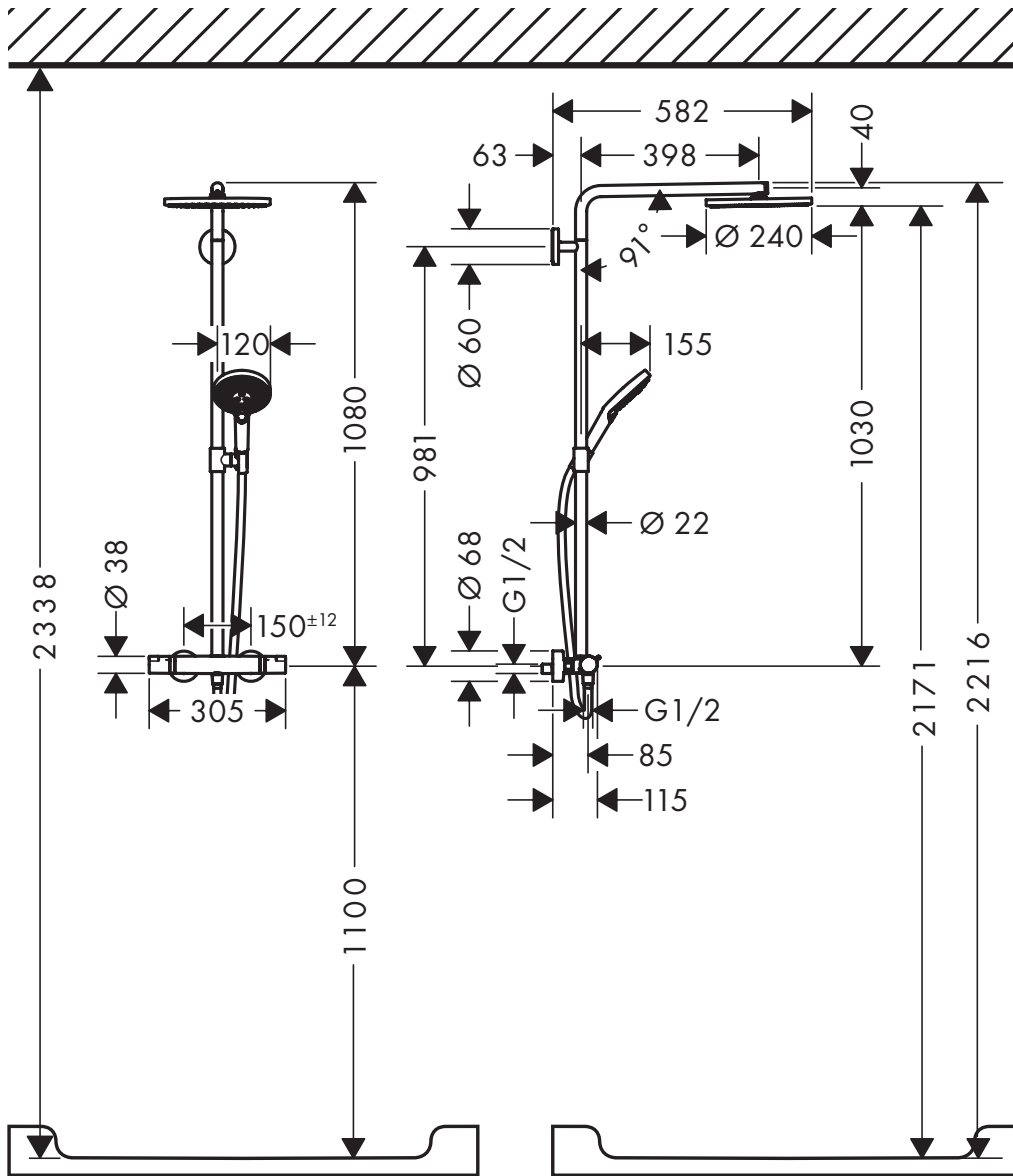
HU Egyszerűen tiszta: a vízkő egészen könnyen ledörzsölhető a csomókról.

JP 清掃が簡単: カルキは突起部から簡単にこすり落とすことができます。





Raindance Select S
Showerpipe 240 1jet PowderRain
 27633670 / 27633700 / 27867670



Raindance Select S
Showerpipe 240 1jet PowderRain
 27633670 / 27633700 / 27867670

