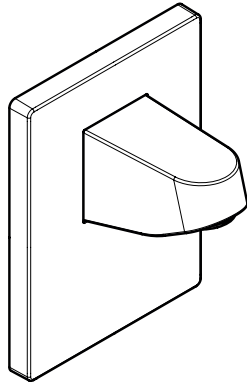
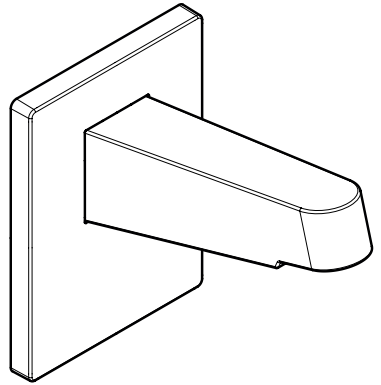


EN Instructions for use / Assembly instructions



Pulsify 105
24139XXX



Pulsify 260
24149XXX



Safety Notes

⚠️ Gloves should be worn during installation to prevent crushing and cutting injuries.

Installation Instructions

- Prior to installation, inspect the product for transport damages. After it has been installed, no transport or surface damage will be honoured.
- The pipes and the fixture must be installed, flushed and tested as per the applicable standards.
- The plumbing codes applicable in the respective countries must be observed.
- During installation of the product by qualified trained personnel, make sure that the entire fastening surface is even and smooth (no protruding seams or tile offset), that the finish of the wall is suitable to apply the product and has no weak points.

Symbol description



Do not use silicone containing acetic acid!



Installation example (see page 18)



Dimensions (see page 20)



Spare parts (see page 23)

XXX = Colors

000 = Chrome Plated

140 = Brushed Bronze

670 = Matt Black

700 = Matt White



Cleaning (see page 22)



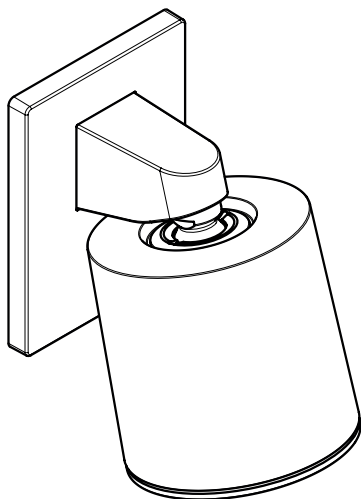
Test certificate (see page)



Pulsify 105
24139XXX



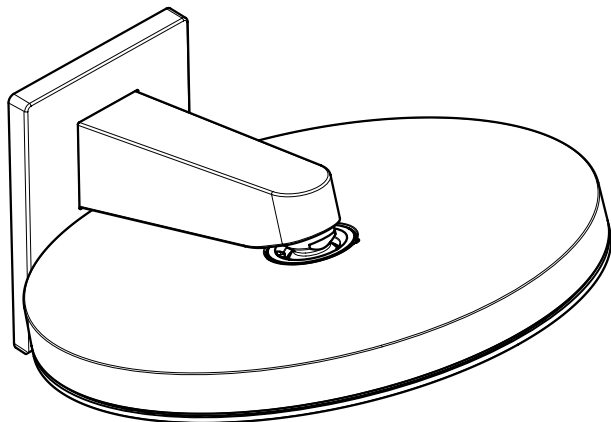
Pulsify 105 1jet
24130XXX



Pulsify 260
24149XXX



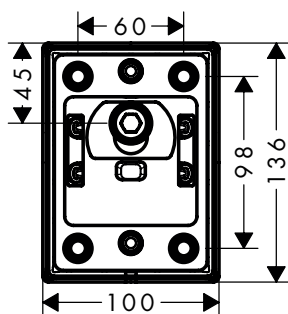
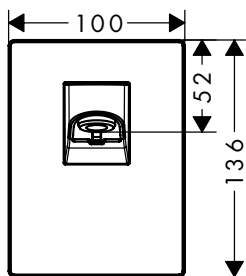
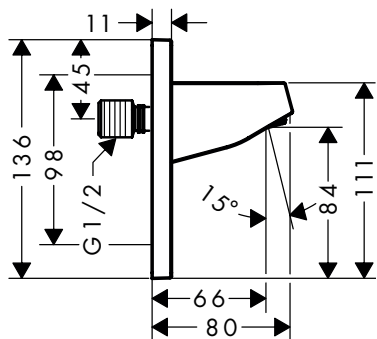
Pulsify 260 1jet
24140XXX / 24141XXX





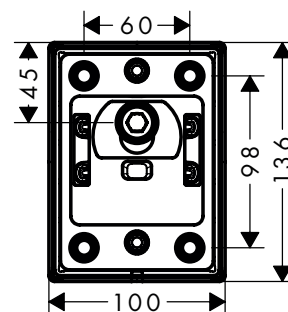
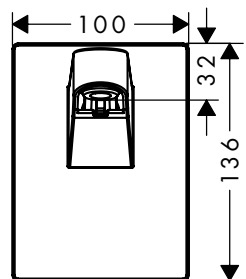
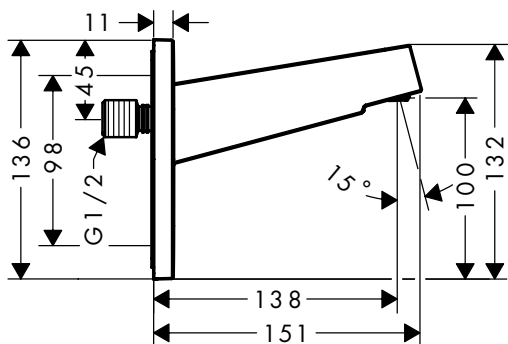
Pulsify 105

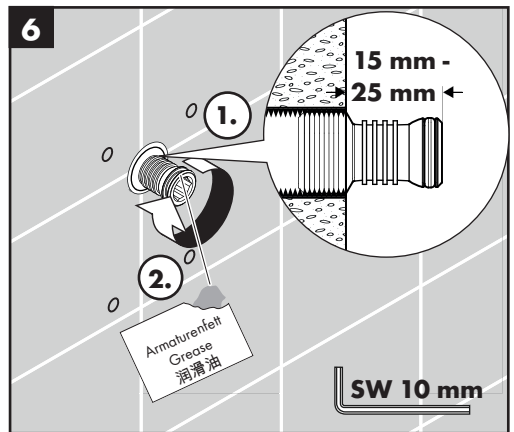
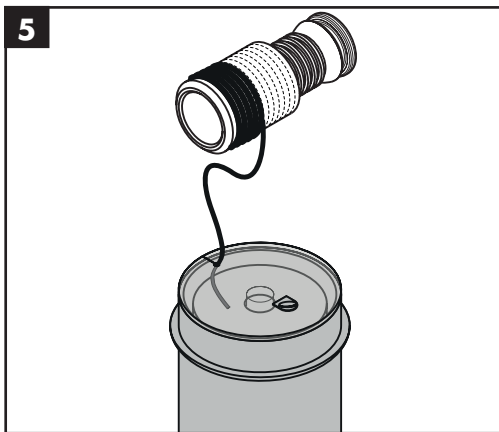
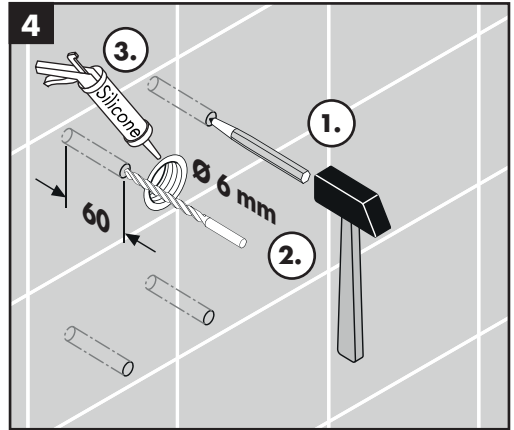
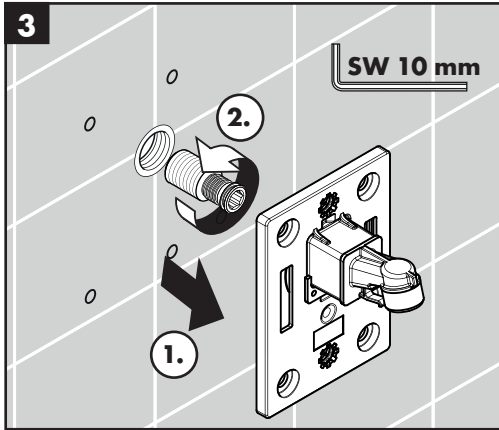
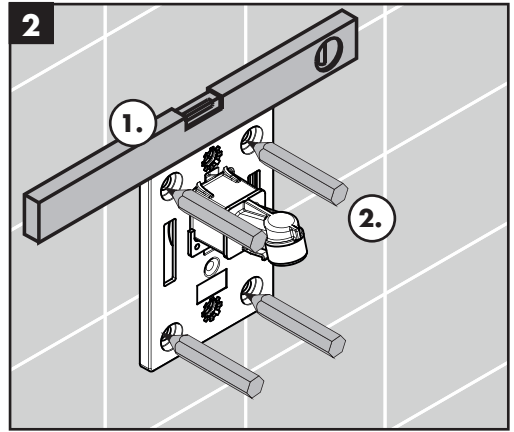
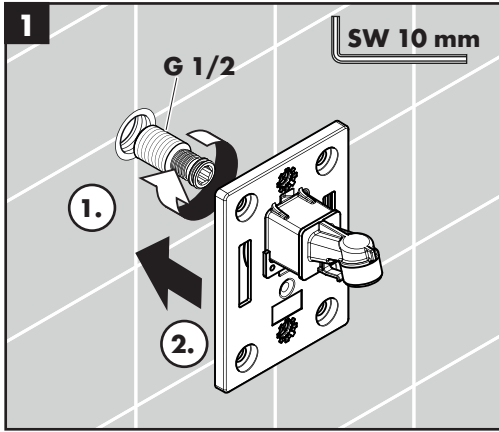
24139XXX

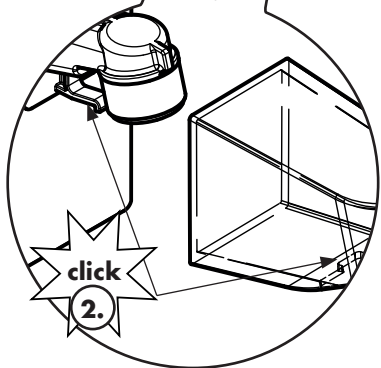
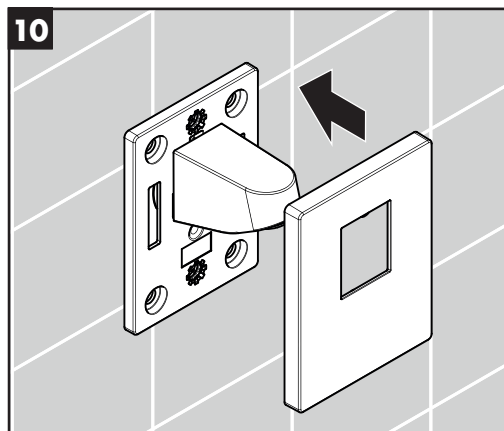
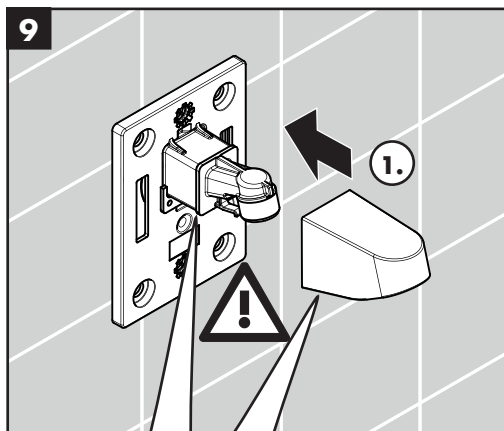
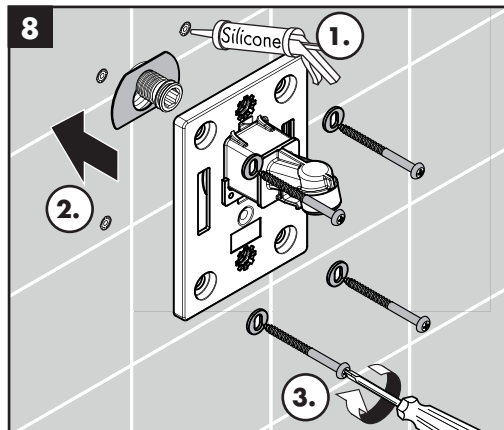
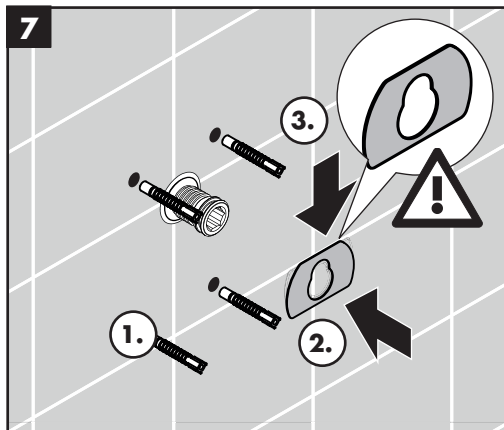


Pulsify 260

24149XXX



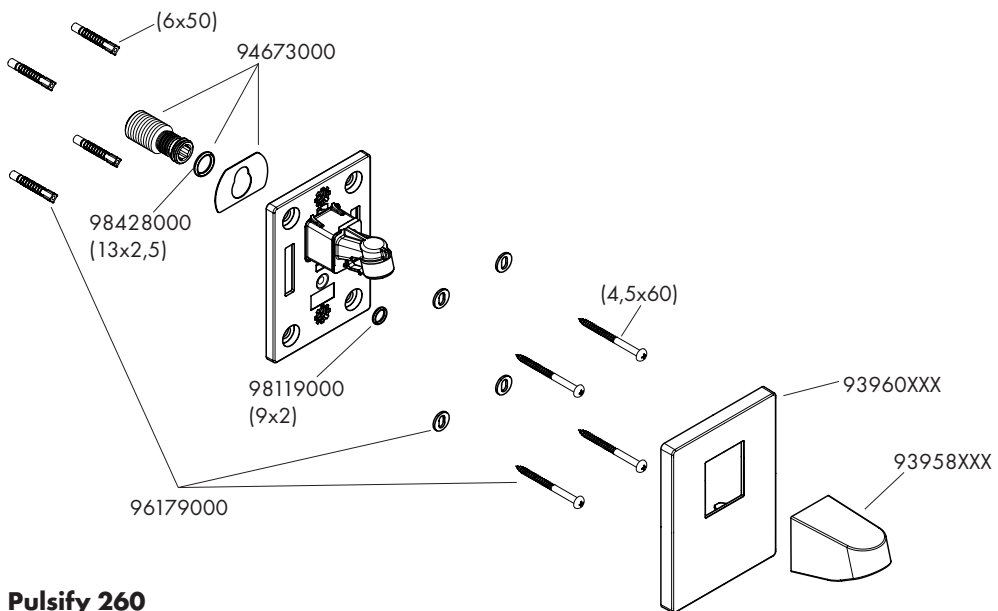






Pulsify 105

24139XXX



Pulsify 260

24149XXX

