



**Pulsify 105 3jet
Activation**
24100XXX

**Pulsify Blend 105
3jet Activation**
24103000



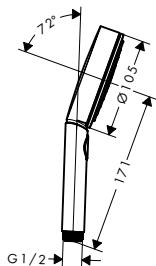
Pulsify 105 1jet
24120XXX

**Pulsify Blend
105 1jet**
24122000

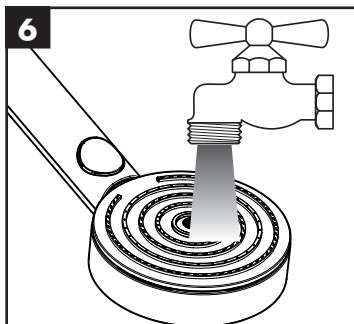
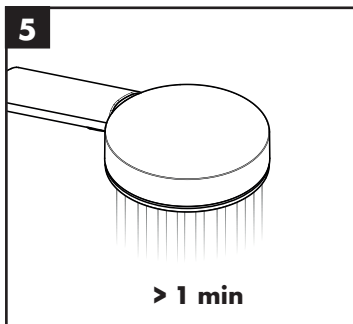
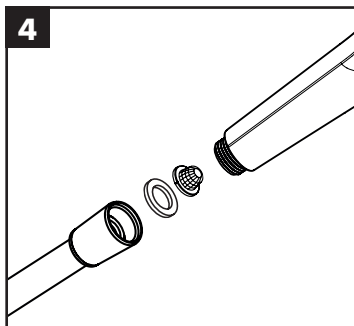
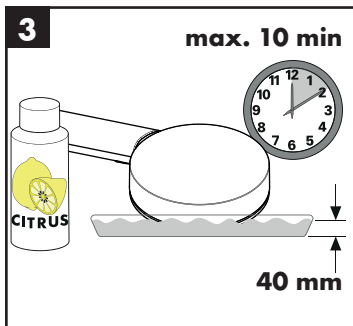
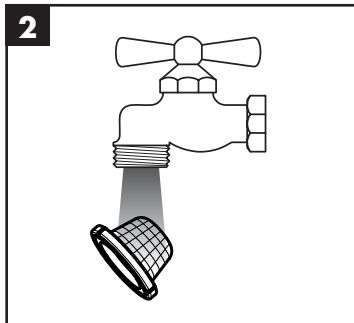
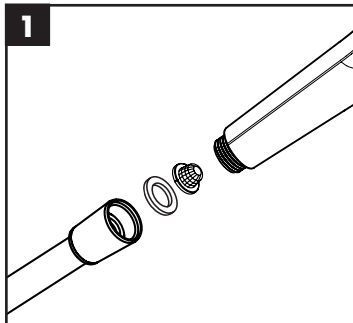


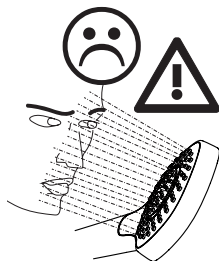
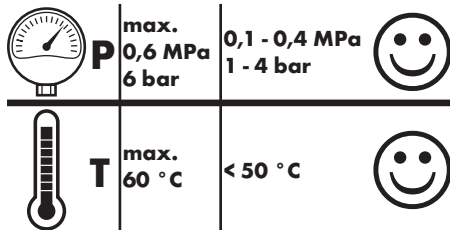
**Pulsify 105 3jet
Relaxation**
24110XXX

**Pulsify Blend 105
3jet Relaxation**
24113000

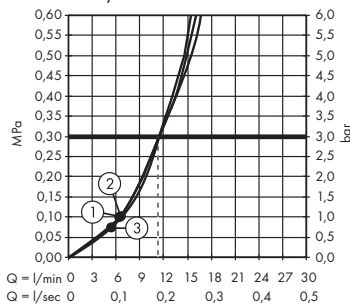


Service

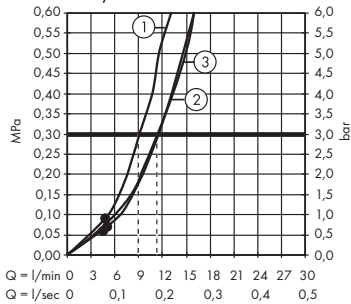




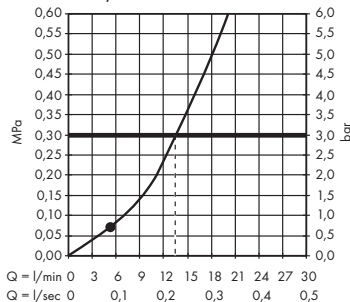
24100XXX / 24103000

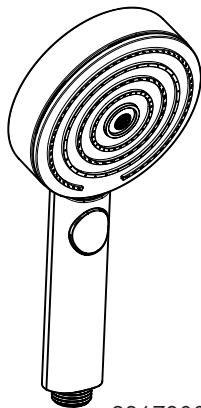
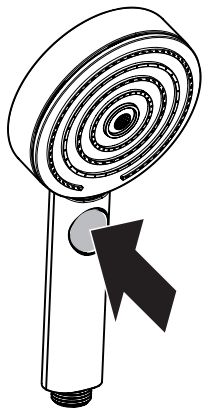


24110XXX / 24113000



24120XXX / 24122000





P-IX DVGW NF

24100XXX P-IX 17563/IA

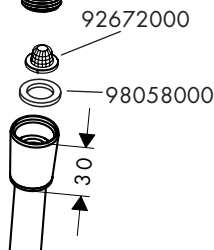
24103000 P-IX 17563/IA

24120XXX P-IX 17567/IS DM0737

24122000 P-IX 17567/IS

24110XXX P-IX 17565/IA DM0737

24113000 P-IX 17565/IA



Hansgrohe SE

DIN 4109-1

P-IX 17563/IA

MPA NRW.

Hansgrohe SE

DIN 4109-1

P-IX 17567/IS

MPA NRW.

Hansgrohe SE

DIN 4109-1

P-IX 17565/IA

MPA NRW.