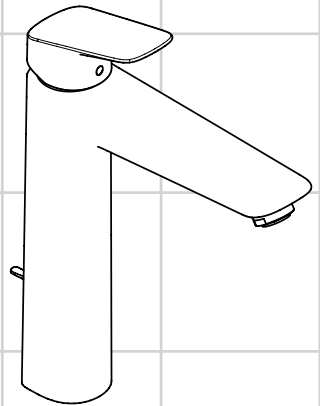





**EN** Instructions for use / assembly instructions



**Logis 190**  
71090000 / 71091000



## Safety Notes

-  Gloves should be worn during installation to prevent crushing and cutting injuries.
-  The shower system may only be used for bathing, hygienic and body cleaning purposes.
-  The hot and cold supplies must be of equal pressures.

## Installation Instructions

- Prior to installation, inspect the product for transport damages. After it has been installed, no transport or surface damage will be honoured.
- The pipes and the fixture must be installed, flushed and tested as per the applicable standards.
- The plumbing codes applicable in the respective countries must be observed.
- The drain valve must only be used as intended. It is not allowed to attach other objects to the drain valve, for example a semi-pedestal.
- If the instantaneous water heater causes problems or if you wish to increase the water flow, the EcoSmart® (flow limiter) located behind the aerator can be removed.

## Technical Data

**This mixer series-produced with EcoSmart®** (flow limiter)

Operating pressure:	max. 1 MPa
Recommended operating pressure:	0,1 - 0,5 MPa
Test pressure:	1,6 MPa
(1 MPa = 10 bar = 147 PSI)	
Hot water temperature:	max. 70 °C
Recommended hot water temp.:	65 °C
Thermal disinfection:	max. 70 °C / 4 min

The product is exclusively designed for drinking water!

## Symbol description



Do not use silicone containing acetic acid!



**Adjustment**  
(see page 33)

To adjust the hot water limiter. Using a hot water limiter in combination with a continuous flow water heater is not recommended.



**Dimensions**  
(see page 34)



**Flow diagram**  
(see page 34)

- ① with EcoSmart®
- ② without EcoSmart®



**Spare parts**  
(see page 37)

**Special accessories** (order as an extra)



special tool #58085000  
(see page 31)



Installation putty  
(see page 31)



**Operation** (see page 35)

Hansgrohe recommends not to use as drinking water the first half liter of water drawn in the morning or after a prolonged period of non-use.



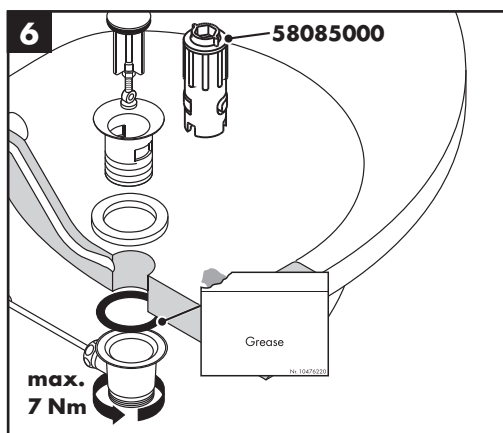
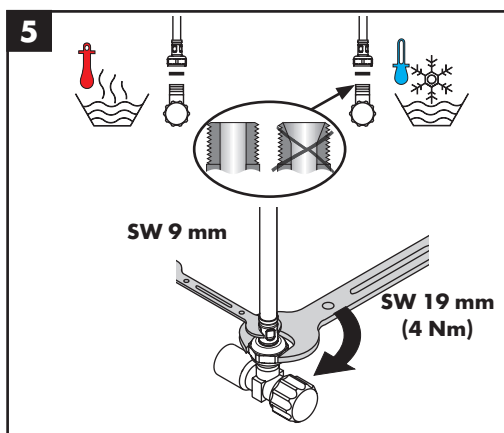
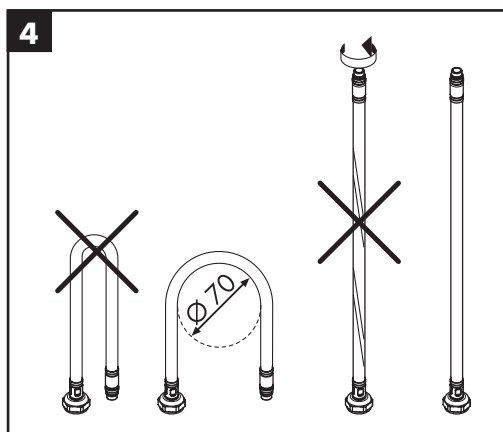
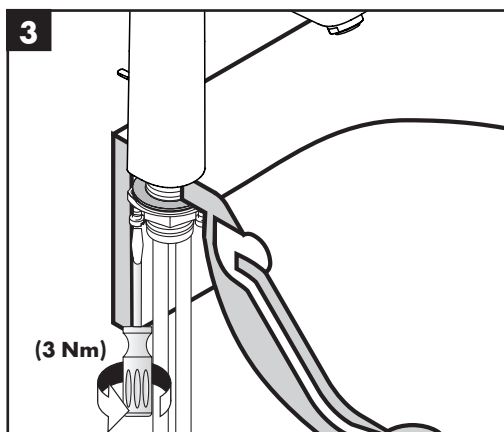
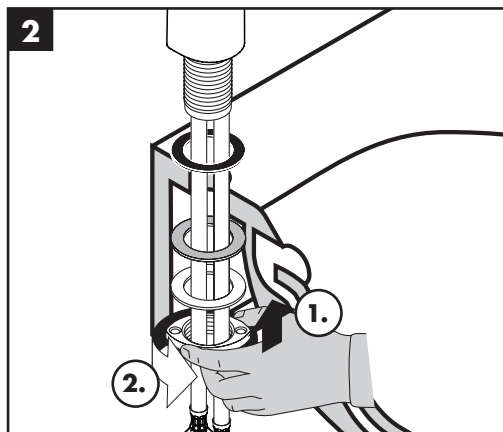
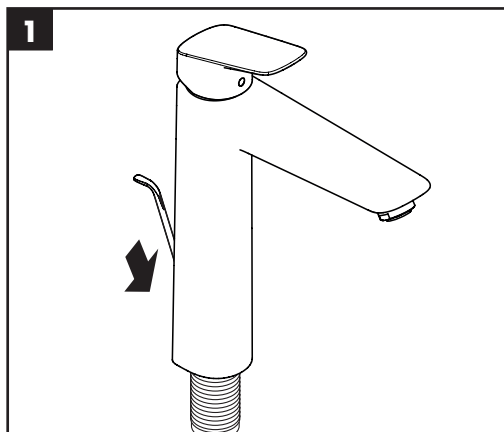
**Test certificate**  
(see page 40)

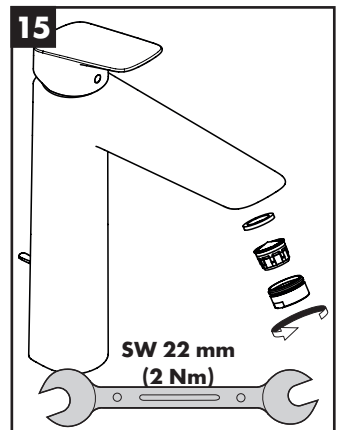
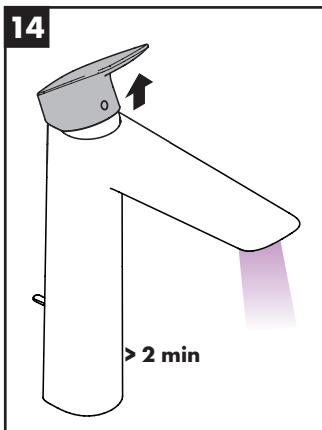
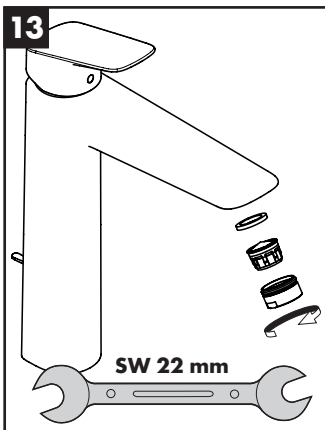
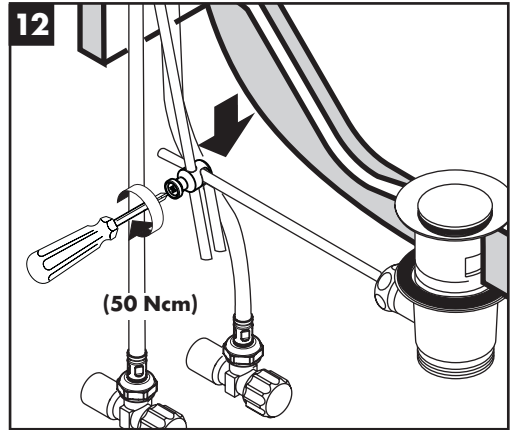
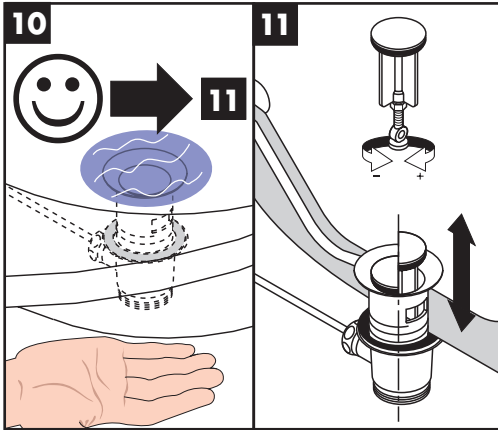
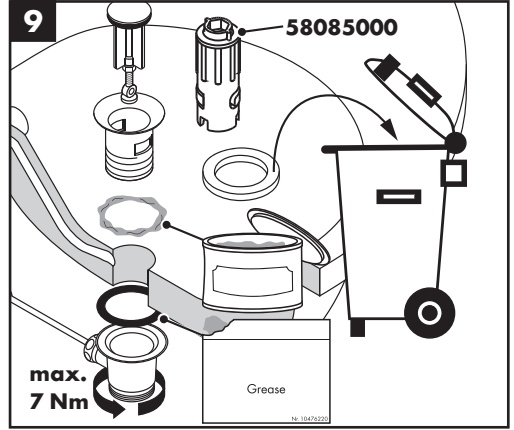
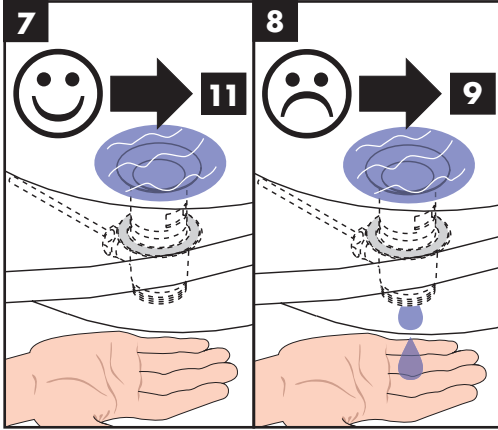


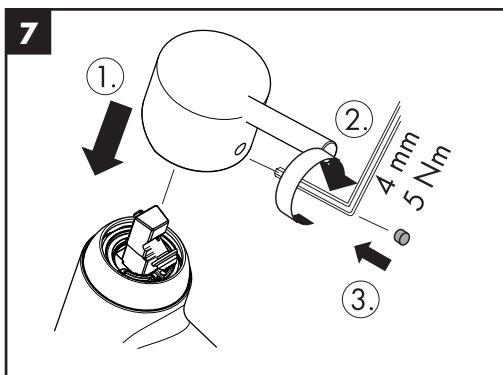
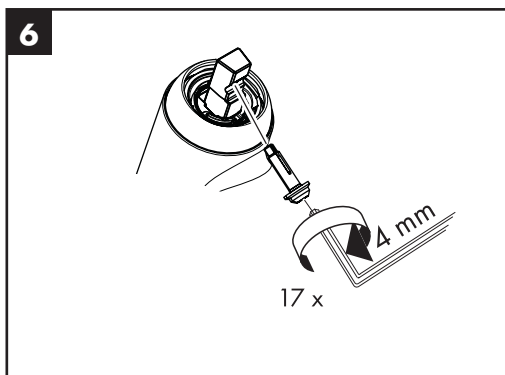
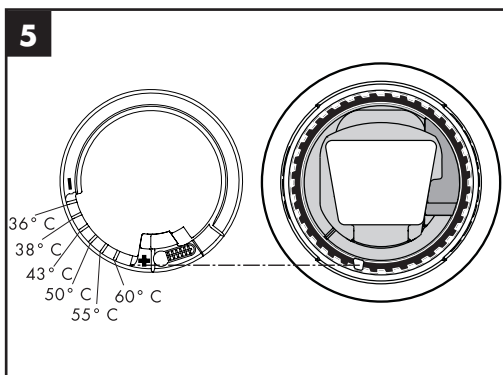
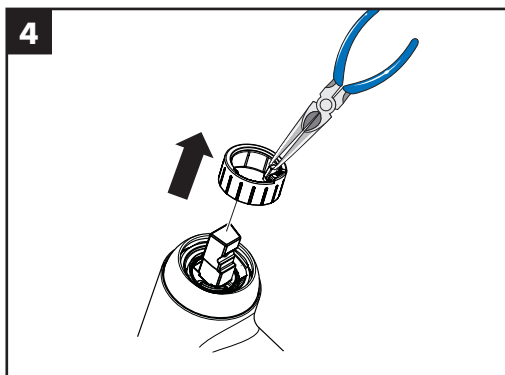
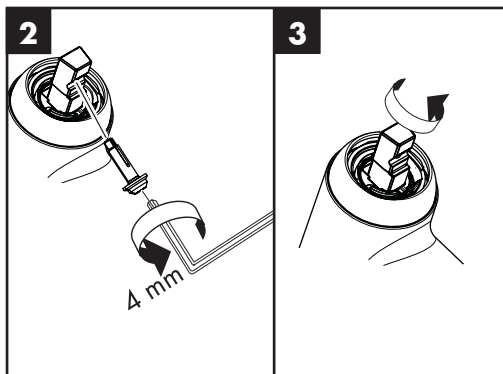
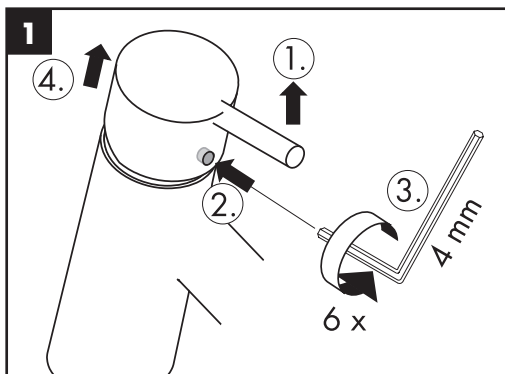
**Cleaning**  
(see page 36)



**Assembly see page 31**

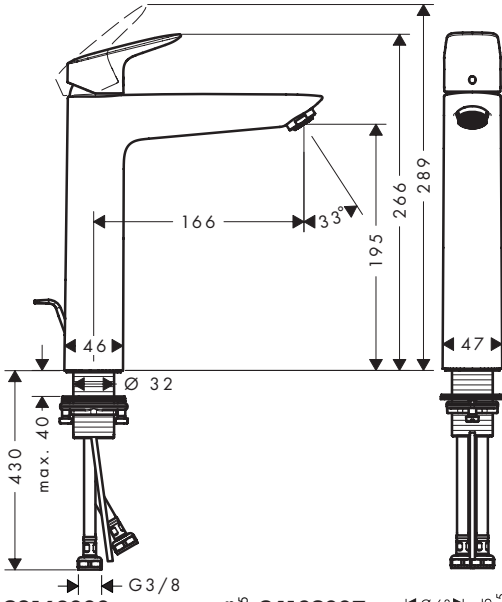




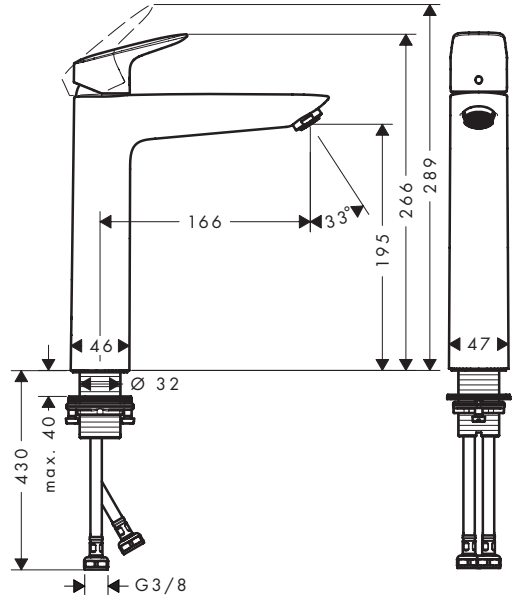




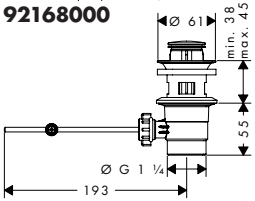
**Logis 190**  
71090000



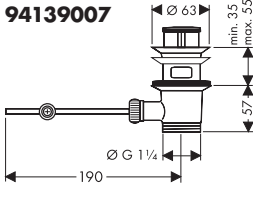
**Logis 190**  
71091000



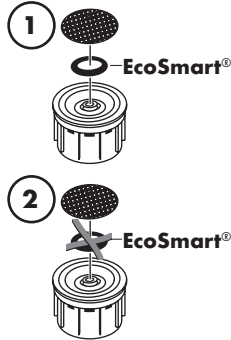
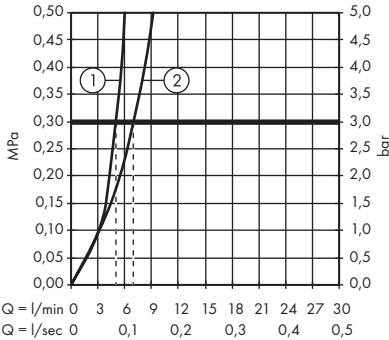
**92168000**

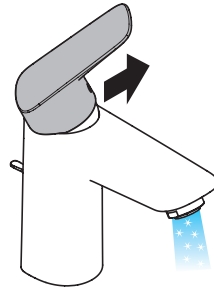
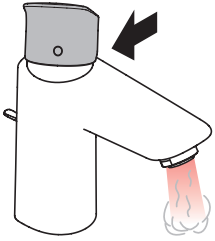
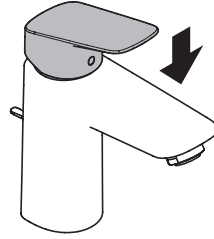
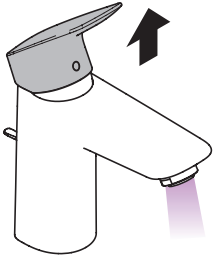


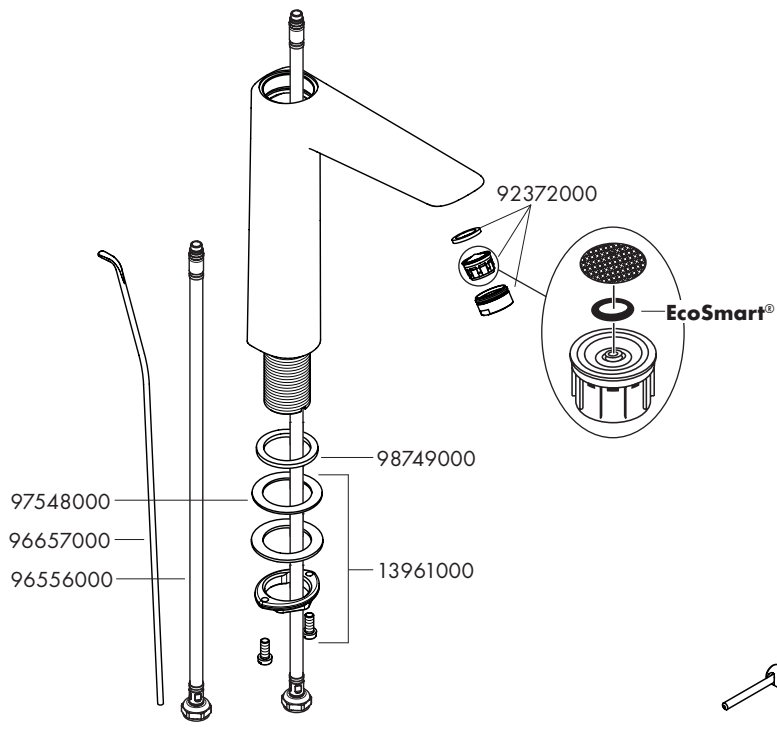
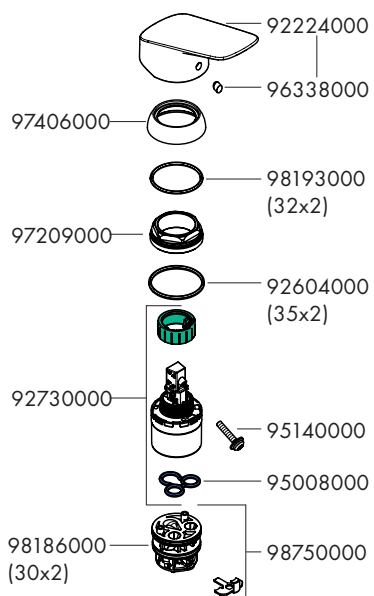
**94139007**



**Logis 190**  
71090000 / 71091000











P-IX

DVGW SVGW ACS WRAS KIWA

ETA



GODKENDT  
TIL DRIKKEVAND



	P-IX	DVGW	SVGW	ACS	WRAS	KIWA	ETA			
<b>71090000</b>	P-IX 28113/IO CP0553	X	X	X	X	X	1.42/20391	04/00044	1370	
<b>71091000</b>	P-IX 28113/IO CP0553	X	X	X	X	X	1.42/20391	04/00044	1370	

