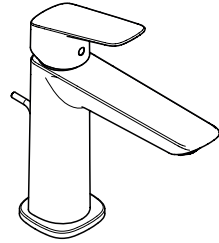


EN Instructions for use / Assembly instructions

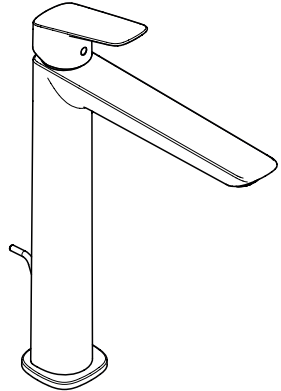


Logis 110 Fine

71251XXX / 71252XXX / 71253XXX

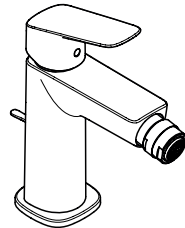
Logis 110 Fine CoolStart

71254XXX / 71255XXX



Logis 240 Fine

71257XXX / 71258XXX



Logis 110 Fine

71201XXX



Safety Notes

- ⚠ Gloves should be worn during installation to prevent crushing and cutting injuries.
- ⚠ The product may only be used for bathing, hygienic and body cleaning purposes.
- ⚠ The hot and cold supplies must be of equal pressures.

Installation Instructions

- Prior to installation, inspect the product for transport damages. After it has been installed, no transport or surface damage will be honoured.
- The pipes and the fixture must be installed, flushed and tested as per the applicable standards.
- The plumbing codes applicable in the respective countries must be observed.
- The drain valve must only be used as intended. It is not allowed to attach other objects to the drain valve, for example a semi-pedestal.
- If the instantaneous water heater causes problems or if you wish to increase the water flow, the EcoSmart (flow limiter) located behind the aerator can be removed.
- If the water is flowing along the fixture in the direction of the shaft, the spray former must be replaced with a standard air bubbler 95928000.

Technical Data

This mixer series-produced with EcoSmart (flow limiter)

Operating pressure:	max. 1 MPa
Recommended operating pressure:	0,1 - 0,5 MPa
Test pressure:	1,6 MPa
	(1 MPa = 10 bar = 147 PSI)
Hot water temperature:	max. 60 °C
Thermal disinfection:	70 °C / 4 min

The product is exclusively designed for drinking water!

Symbol description



Do not use silicone containing acetic acid!



Adjustment (see page 35)

To adjust the hot water limiter. Using a hot water limiter in combination with a continuous flow water heater is not recommended.



Dimensions (see page 36)



Flow diagram (see page 37)



Spare parts (see page 38)

XXX = Colors
 000 = Chrome Plated
 670 = Matt Black
 700 = Matt White

Special accessories (order as an extra)



- special tool #58085000 (see page 33)



- Installation putty (see page 34)



Cleaning (see page 39)

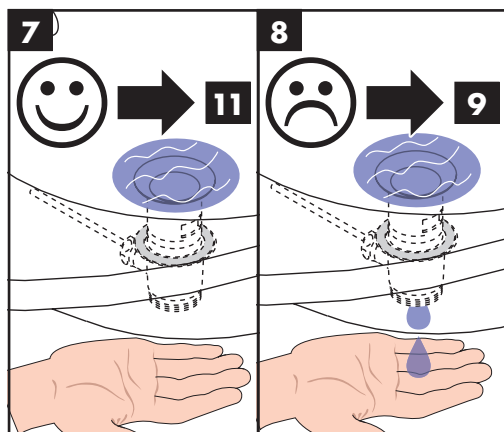
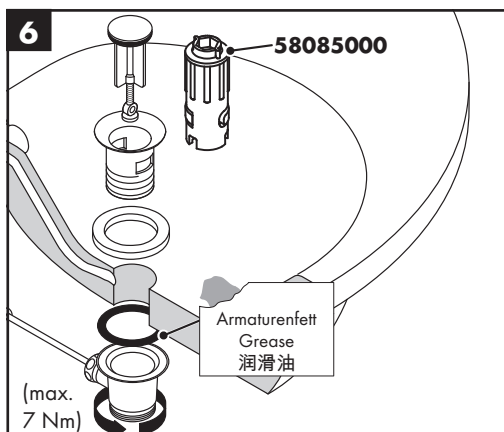
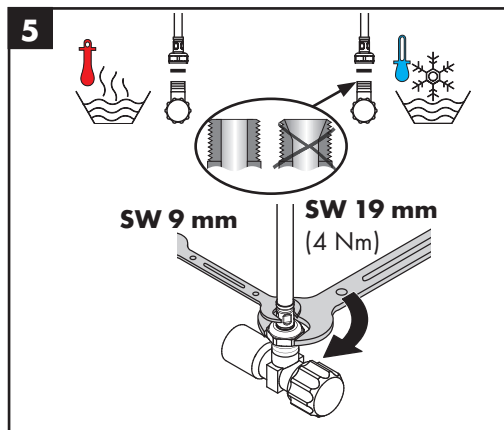
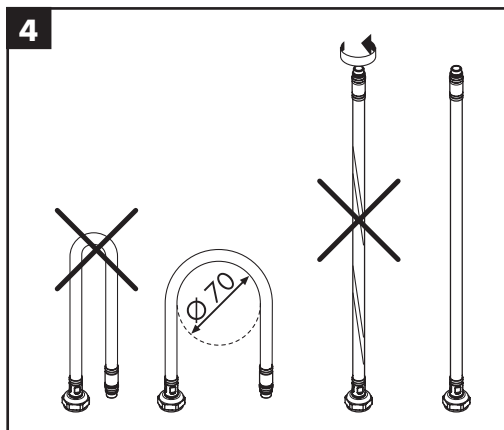
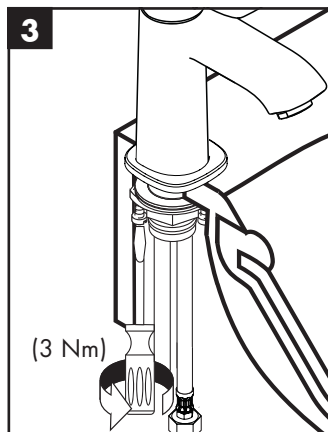
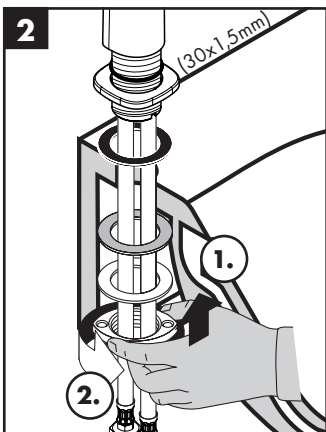
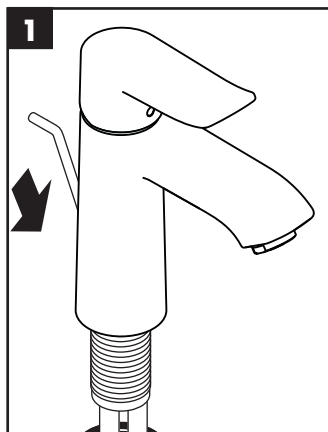


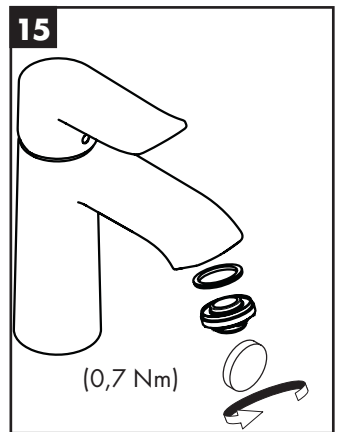
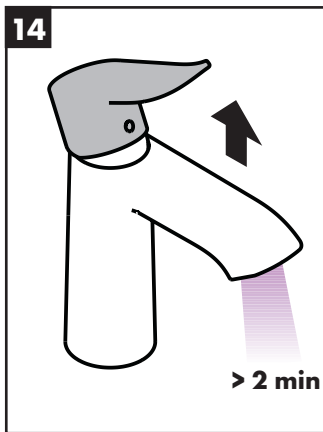
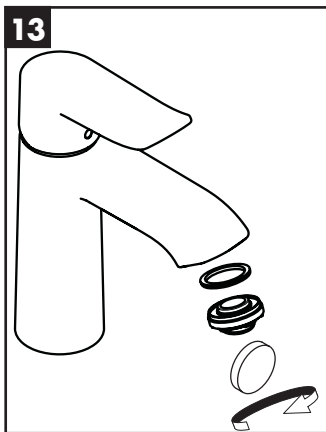
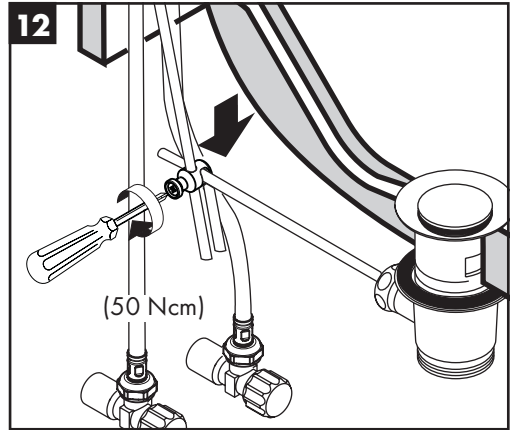
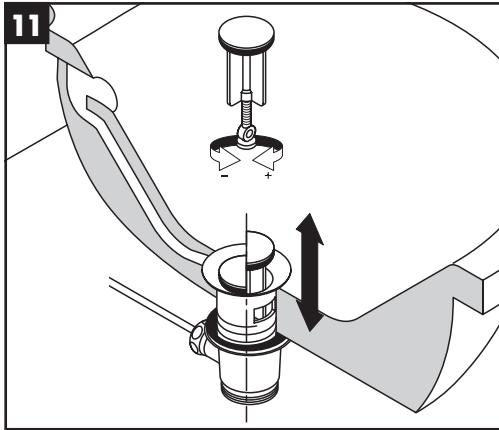
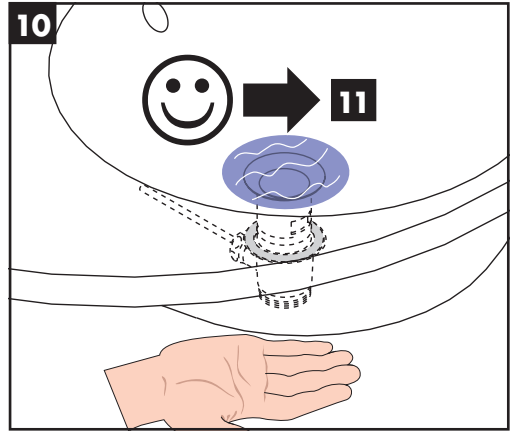
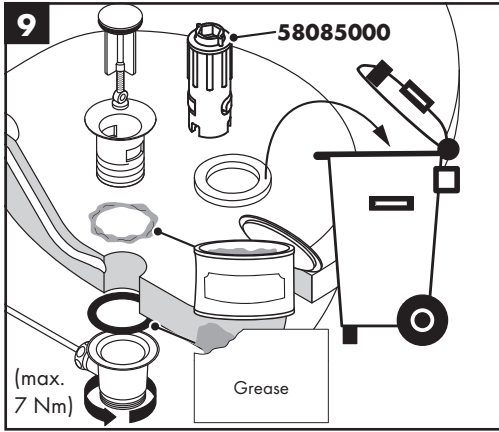
Operation (see page 40)

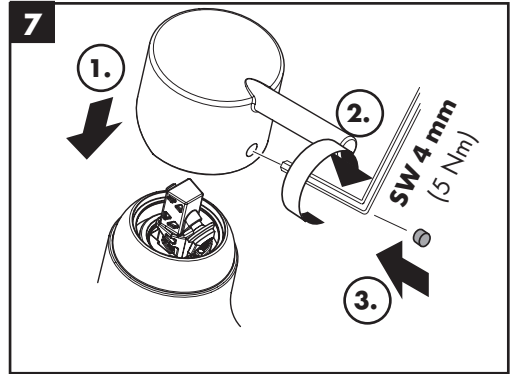
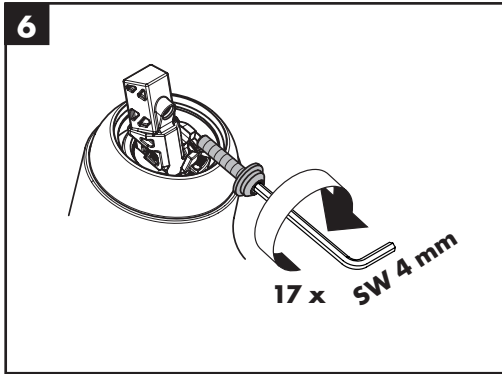
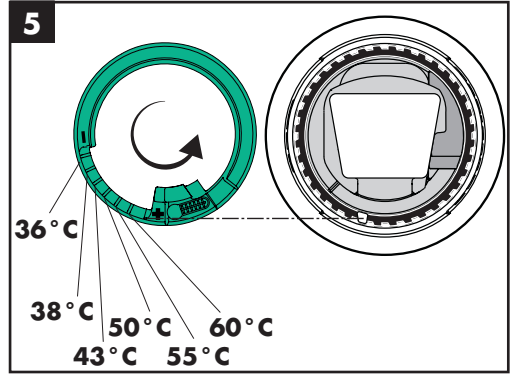
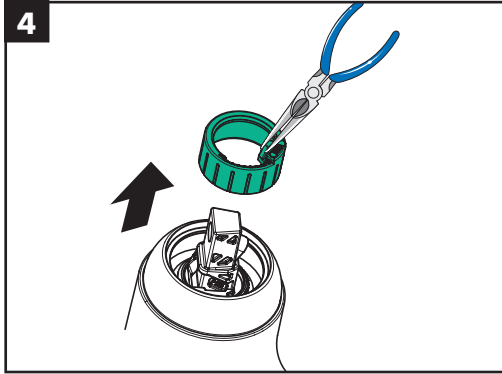
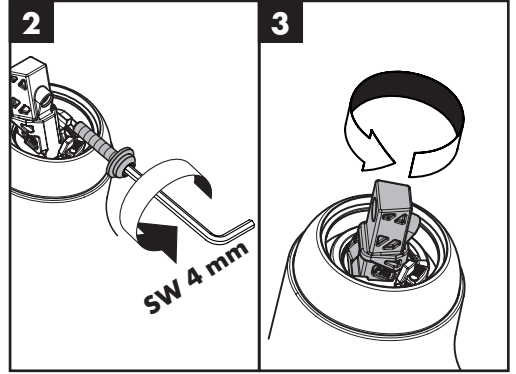
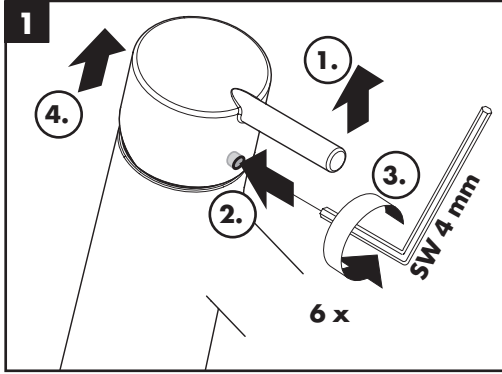
- Hansgrohe recommends not to use as drinking water the first half liter of water drawn in the morning or after a prolonged period of non-use.
- After periods of prolonged non-use, but at least every third day, the fittings must be opened with the handle in hot and cold position to prevent stagnation in the connecting lines. Let the water run until the water temperature is constant.



Test certificate (see page 40)

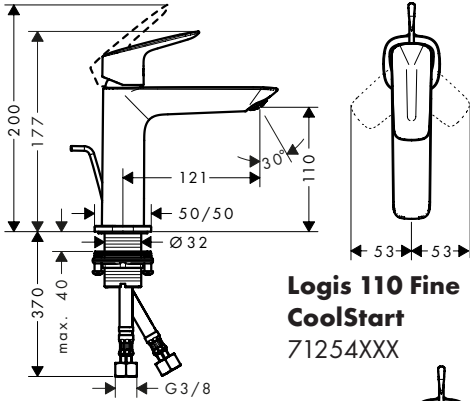




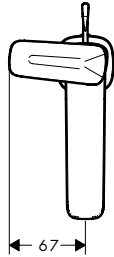




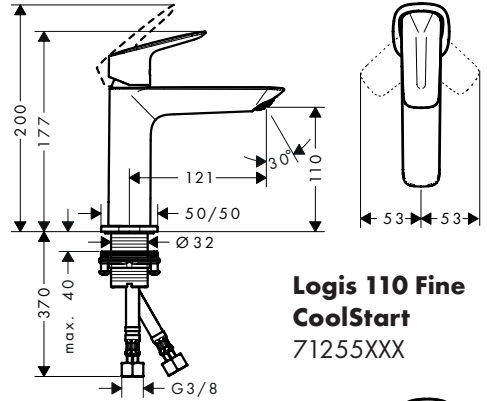
Logis 110 Fine
71251XXX / 71254XXX



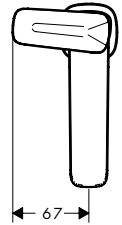
Logis 110 Fine
CoolStart
71254XXX



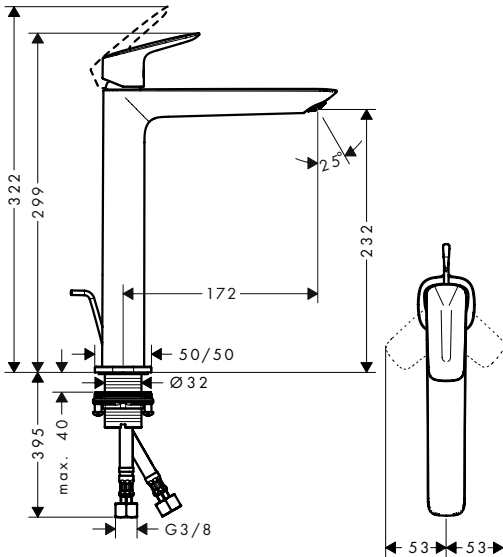
Logis 110 Fine
71253XXX / 71255XXX / 71252XXX



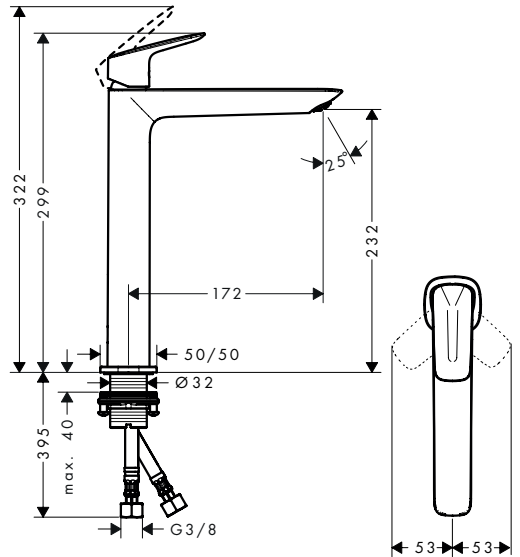
Logis 110 Fine
CoolStart
71255XXX



Logis 240 Fine
71257XXX

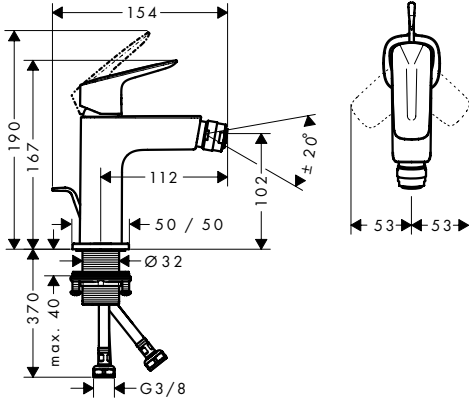


Logis 240 Fine
71258XXX

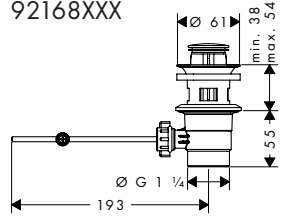


Logis 110 Fine

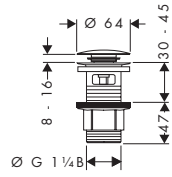
71201XXX



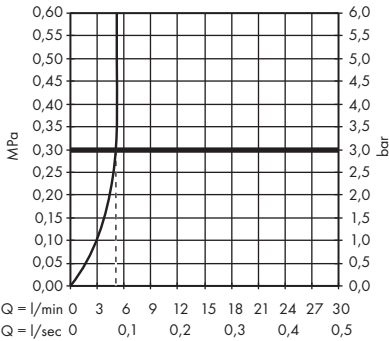
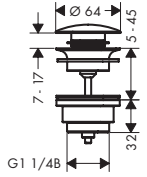
92168XXX



50105000



50100XXX





Logis 110 Fine

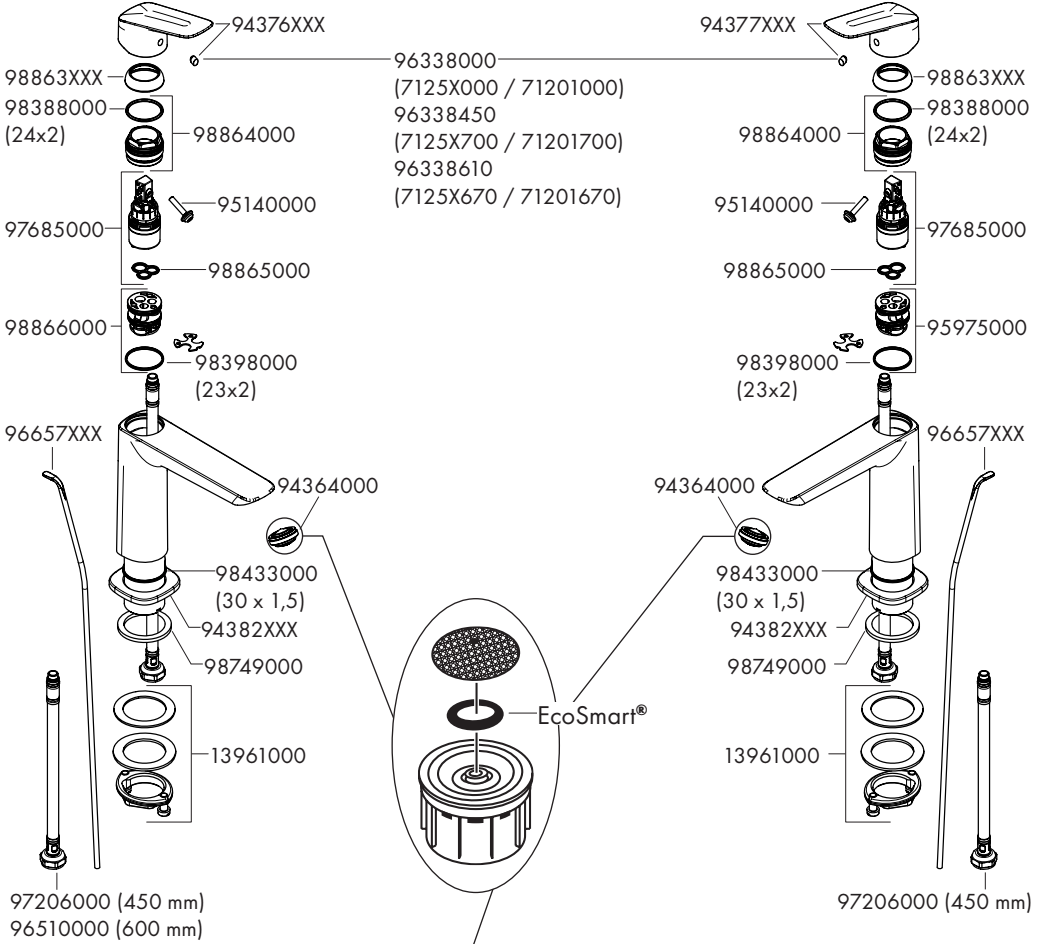
71251XXX / 71252XXX / 71253XXX

Logis 240 Fine

71257XXX / 71258XXX

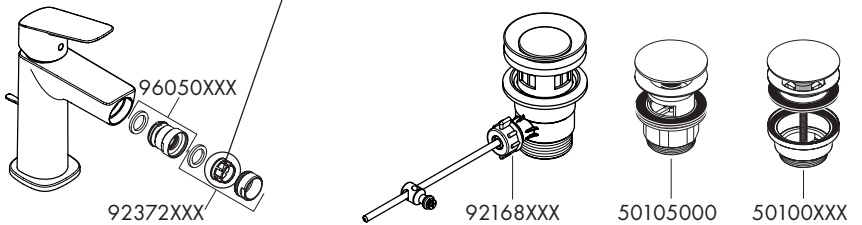
Logis 110 Fine CoolStart

71254XXX / 71255XXX



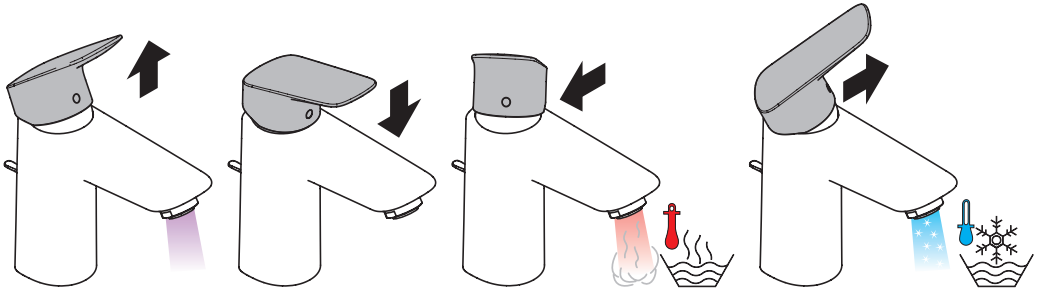
Logis 110 Fine

71201XXX

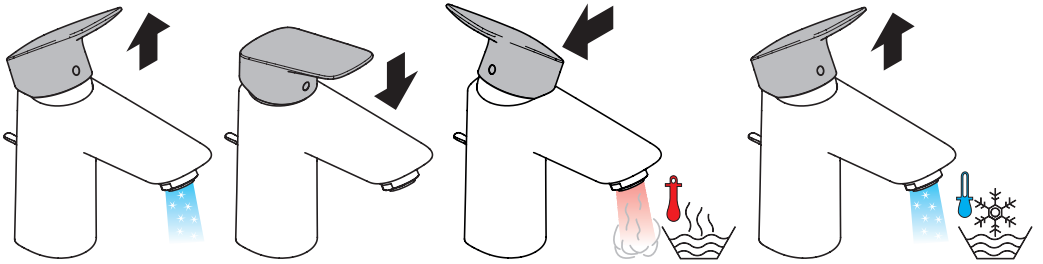




Logis 100 Fine / Logis 240 Fine



Logis 100 Fine CoolStart



	P-IX	DVGW	CERTIFICATION S KIWA 1004
71201XXX	PA-IX 38211/IO	DN0046	
71251XXX	PA-IX 38071/IO	DN0046	X
71252XXX	PA-IX 38071/IO	DN0046	X
71253XXX	PA-IX 38071/IO	DN0046	X
71254XXX	PA-IX 38072/IO	DN0046	X
71255XXX	PA-IX 38072/IO	DN0046	X
71257XXX	PA-IX 38074/IO	DN0046	X
71258XXX	PA-IX 38074/IO	DN0046	X

