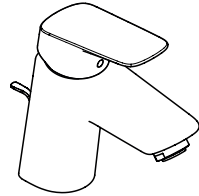


EN Instructions for use / assembly instructions



Logis 70

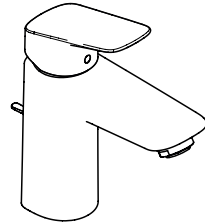
71070000 / 71071000

71077000 / 71078000

71170000 / 71330000

Logis 70 CoolStart

71072000 / 71073000 / 71098000



Logis 100

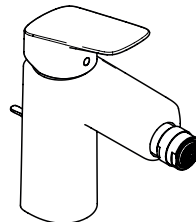
71100000 / 71101000

71104000 / 71107000

71171000 / 71331000 / 71332000

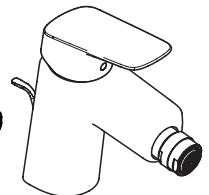
Logis 100 CoolStart

71102000 / 71103000 / 71149000



Logis 100

71200000



Logis 70

71203000 /

71204000



Safety Notes

- △ Gloves should be worn during installation to prevent crushing and cutting injuries.
- △ The product may only be used for bathing, hygienic and body cleaning purposes.
- △ The hot and cold supplies must be of equal pressures.

Installation Instructions

- Prior to installation, inspect the product for transport damages. After it has been installed, no transport or surface damage will be honoured.
- The pipes and the fixture must be installed, flushed and tested as per the applicable standards.
- The plumbing codes applicable in the respective countries must be observed.
- The drain valve must only be used as intended. It is not allowed to attach other objects to the drain valve, for example a semi-pedestal.
- If the instantaneous water heater causes problems or if you wish to increase the water flow, the EcoSmart® (flow limiter) located behind the aerator can be removed.

Technical Data

This mixer series-produced with EcoSmart® (flow limiter)

Operating pressure: max. 1 MPa
 Recommended operating pressure: 0,1 - 0,5 MPa
 Test pressure: 1,6 MPa

(1 MPa = 10 bar = 147 PSI)

Hot water temperature: max. 60°C
 Thermal disinfection: max. 70°C / 4 min

The product is exclusively designed for drinking water!

Symbol description



Do not use silicone containing acetic acid!



Adjustment (see page 35)

To adjust the hot water limiter. Using a hot water limiter in combination with a continuous flow water heater is not recommended.



Dimensions (see page 36)



Flow diagram (see page 37)



Spare parts (see page 40)

Special accessories (order as an extra)



- special tool #58085000 (see page 33)



- Installation putty (see page 33)



- seal #98996000 (see page 32)



Cleaning (see page 42)

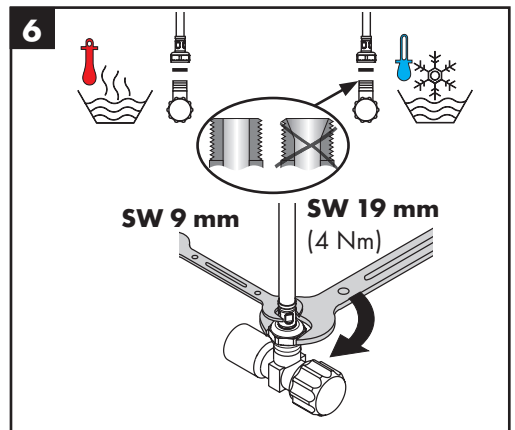
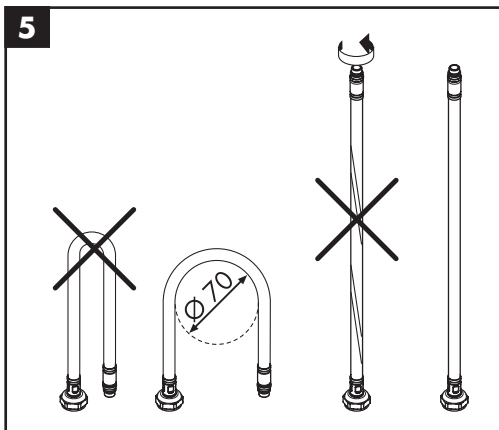
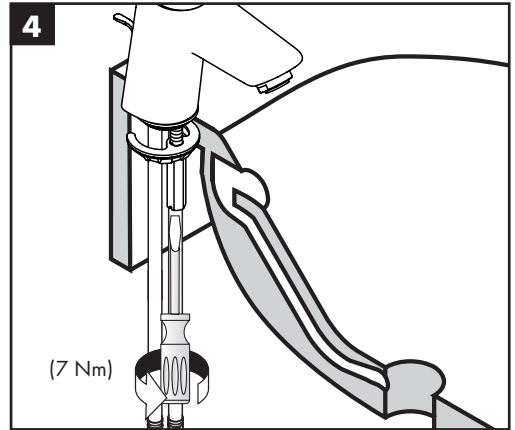
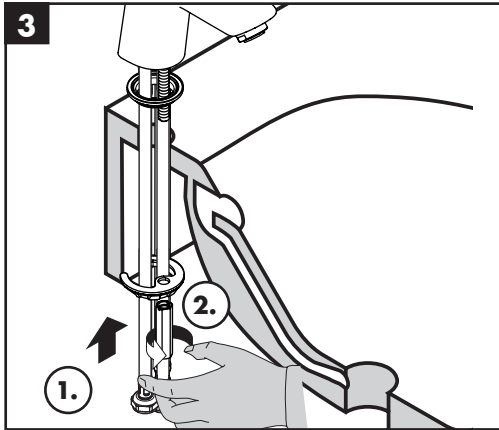
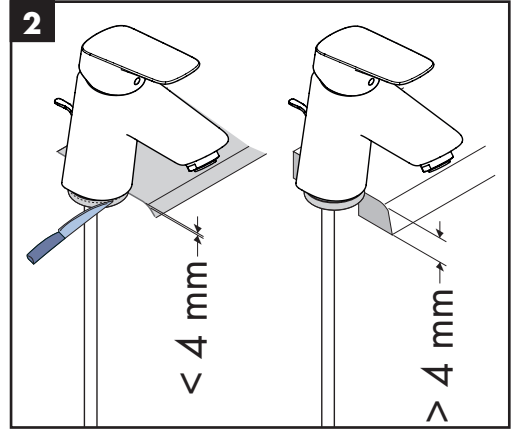
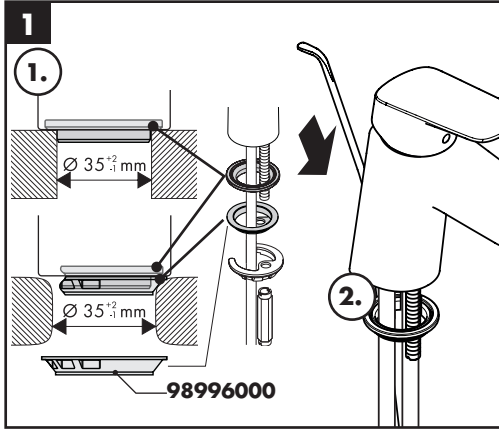


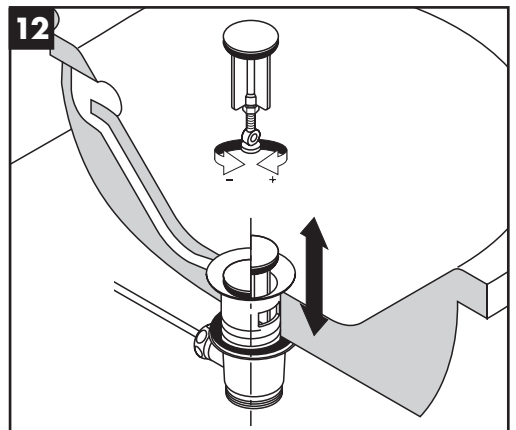
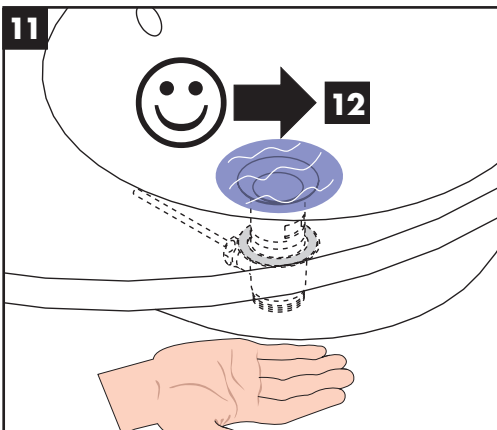
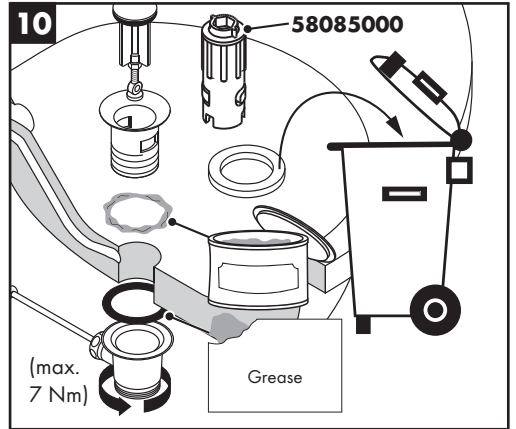
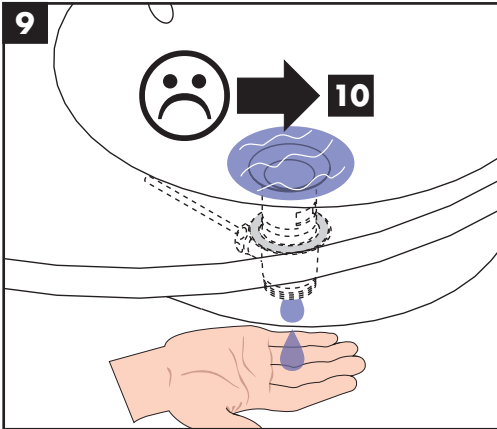
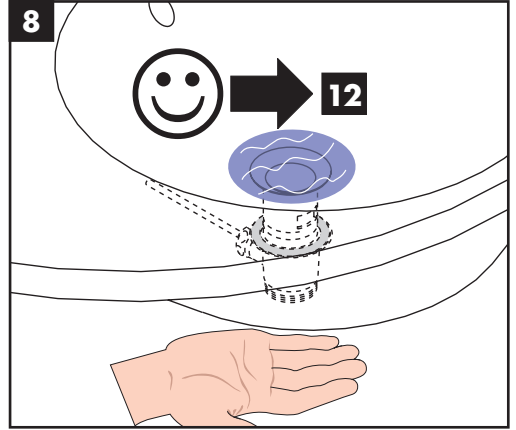
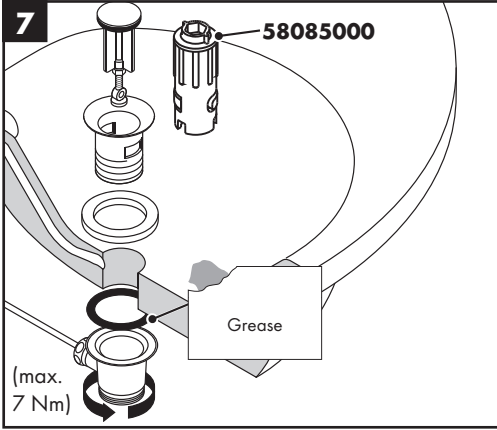
Operation (see page 38)

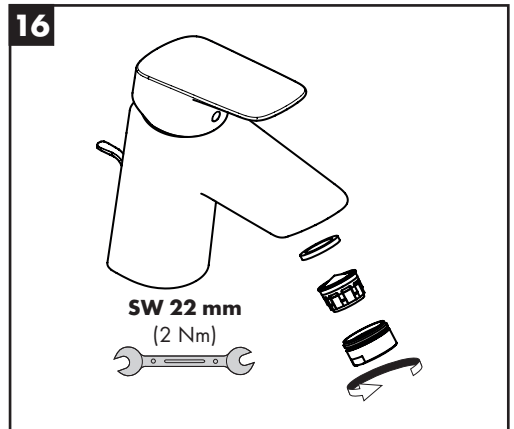
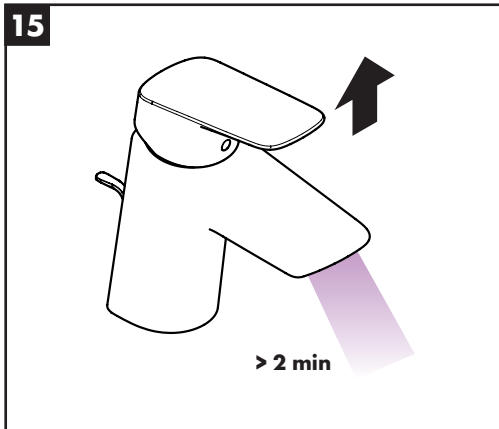
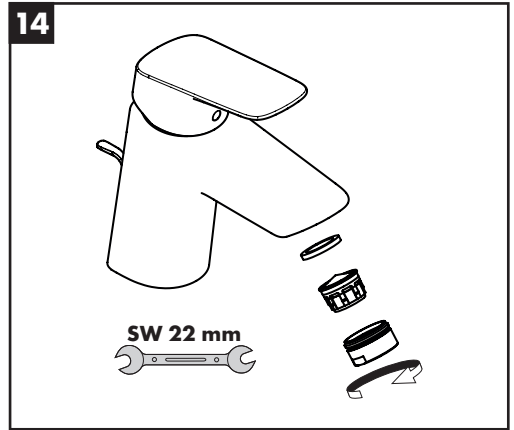
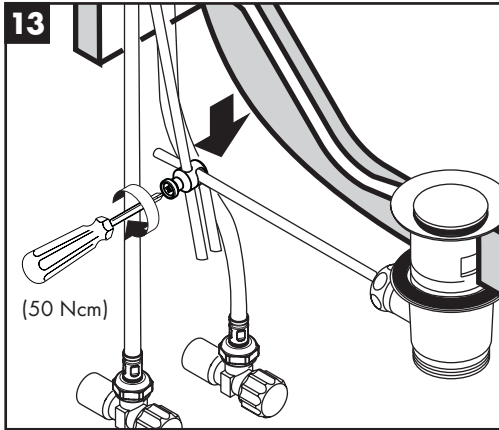
- Hansgrohe recommends not to use as drinking water the first half liter of water drawn in the morning or after a prolonged period of non-use.
- After periods of prolonged non-use, but at least every third day, the fittings must be opened with the handle in hot and cold position to prevent stagnation in the connecting lines. Let the water run until the water temperature is constant.

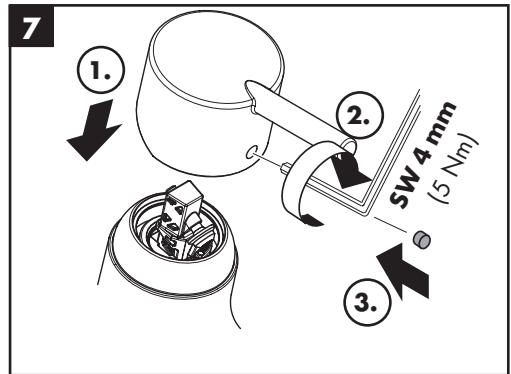
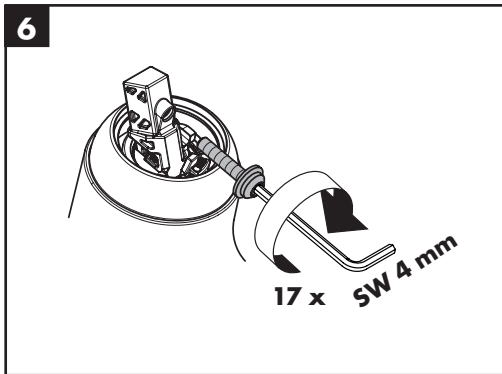
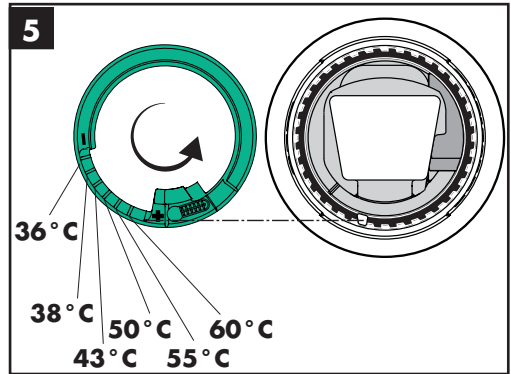
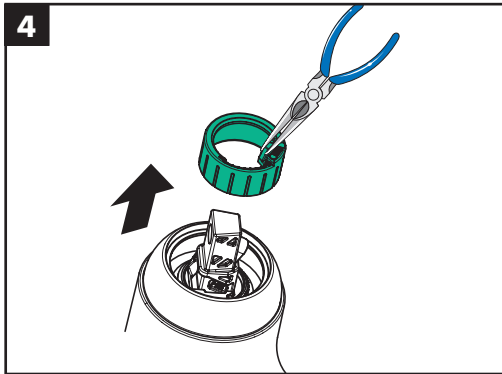
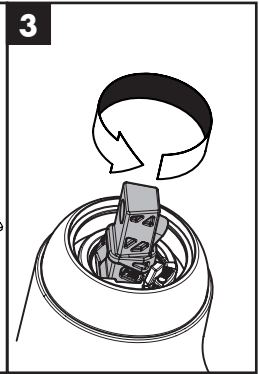
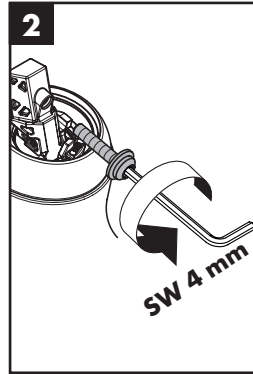
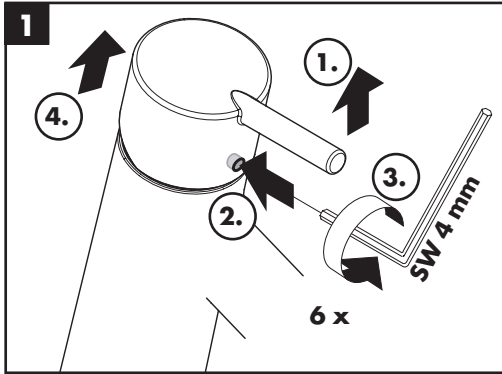


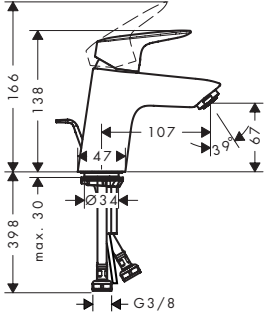
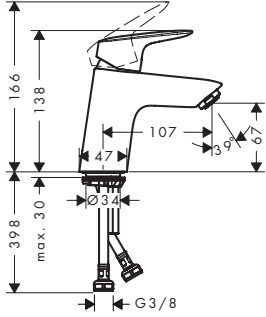
Test certificate (see page 44)



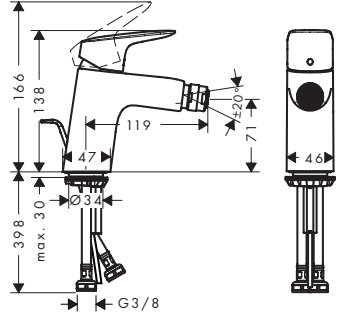
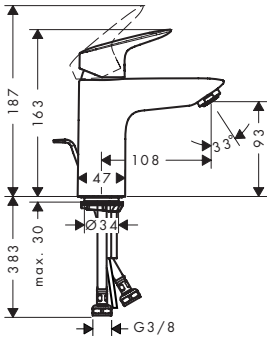
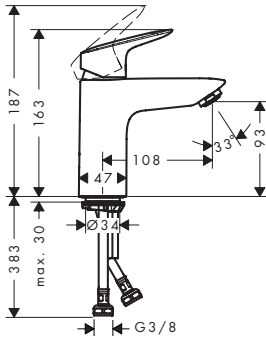




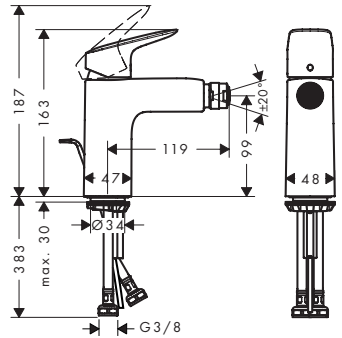
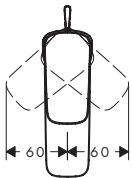
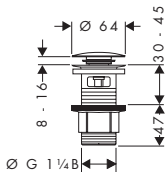
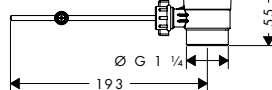
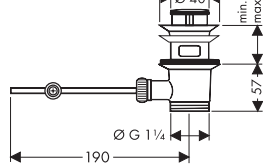
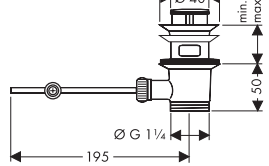


**Logis 70**71070000 /
71078000 /
71170000**Logis 70****CoolStart**
71072000**Logis 70**71071000 /
71077000 /
71330000**Logis 70****CoolStart**
71073000 /
71098000**Logis 70**

71203000 / 71204000

**Logis 100**71100000 /
71104000 /
71171000**Logis 100****CoolStart**
71102000**Logis 100**71101000 /
71107000 /
71331000 /
71332000**Logis 100****CoolStart**
71103000 /
71149000**Logis 100**

71200000

**Logis 70**71070000 /
71071000 /
71077000 /
71203000 /
71204000 /
71170000 /
71330000 /**Logis 100**71100000 /
71101000 /
71107000 /
71200000 /
71171000 /
71331000 /
71332000**50105000****92168000****94139007****94139000**



Logis 70

71070000 / 71071000 / 71100000 / 71101000 /
 71077000 / 71170000 / 71107000 / 71171000 /
 71330000 / 71331000 / 71332000

Logis 100

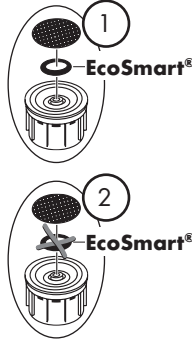
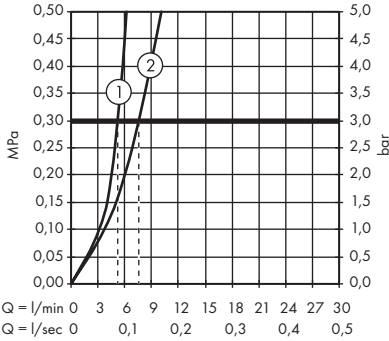
71100000 / 71101000 /
 71107000 / 71171000 /
 71331000 / 71332000

Logis 70 CoolStart

71072000 / 71073000 / 71102000 / 71103000 /
 71098000

Logis 100 CoolStart

71102000 / 71103000 /
 71149000

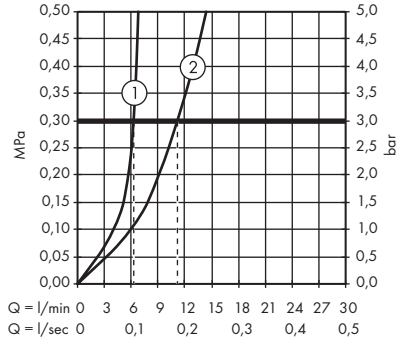


Logis 70

71203000 / 71204000

Logis 100

71200000

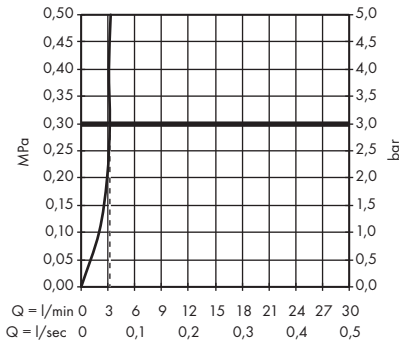


Logis 70

71078000

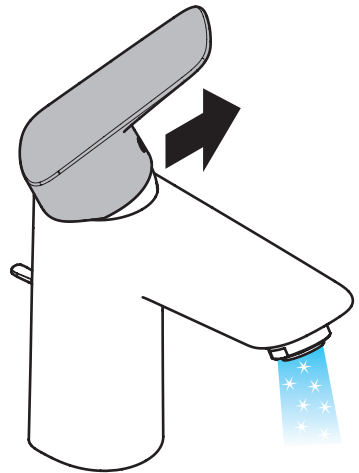
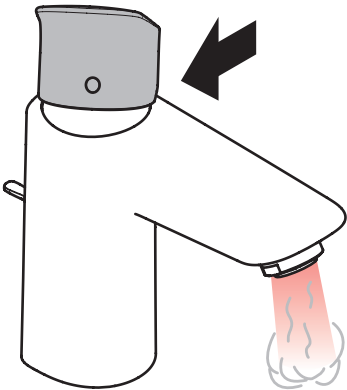
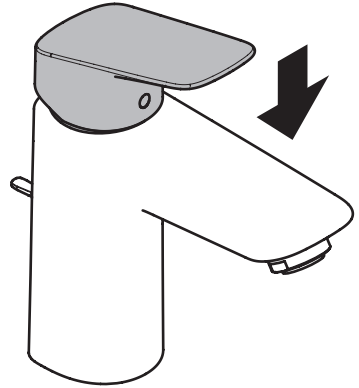
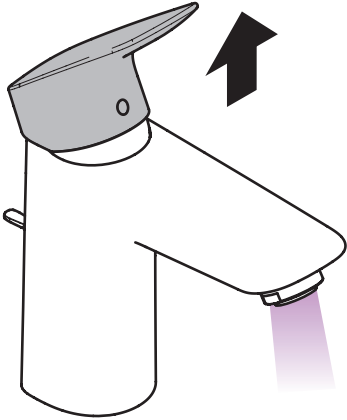
Logis 100

71104000



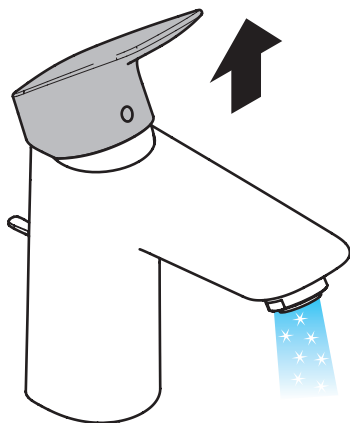
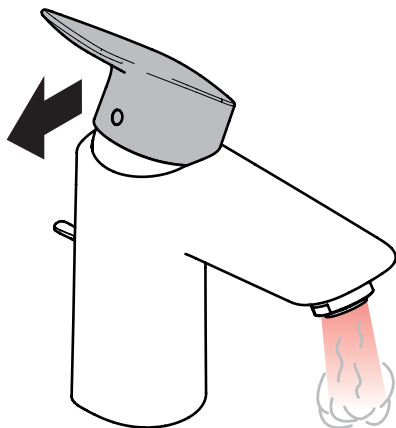
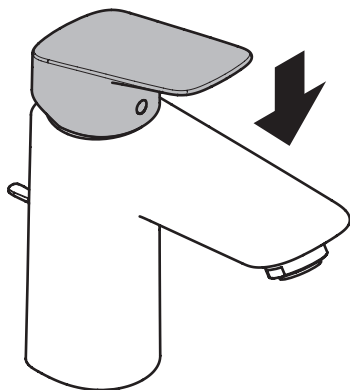
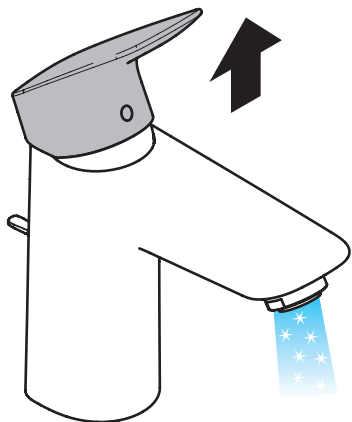


Logis 70 71070000 / 71071000 / 71078000 / 71077000 / 71203000 / 71204000 / 71170000
Logis 100 71100000 / 71101000 / 71104000 / 71107000 / 71200000 / 71171000 / 71330000 /
71331000 / 71332000





Logis 70 CoolStart 71072000 / 71073000 / 71098000
Logis 100 CoolStart 71102000 / 71103000 / 71149000



冷たい

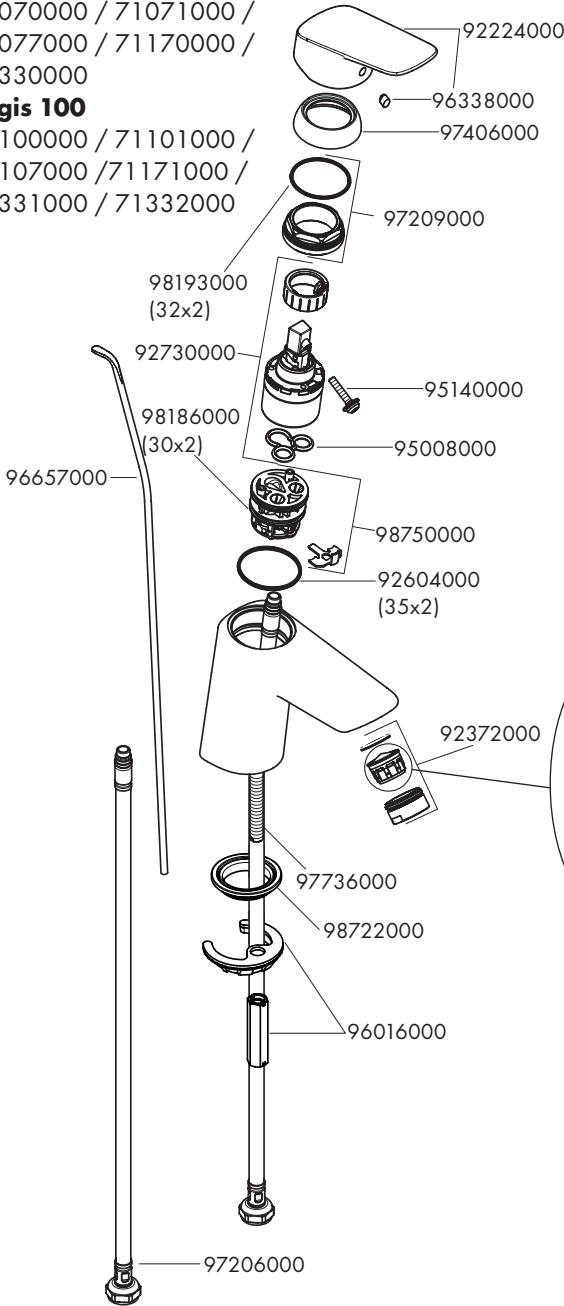


Logis 70

71070000 / 71071000 /
71077000 / 71170000 /
71330000

Logis 100

71100000 / 71101000 /
71107000 / 71171000 /
71331000 / 71332000

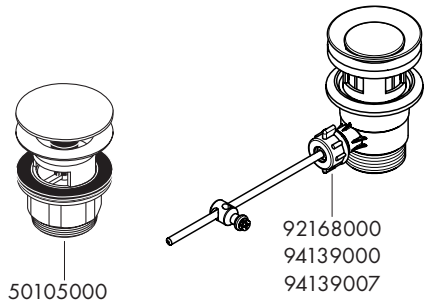
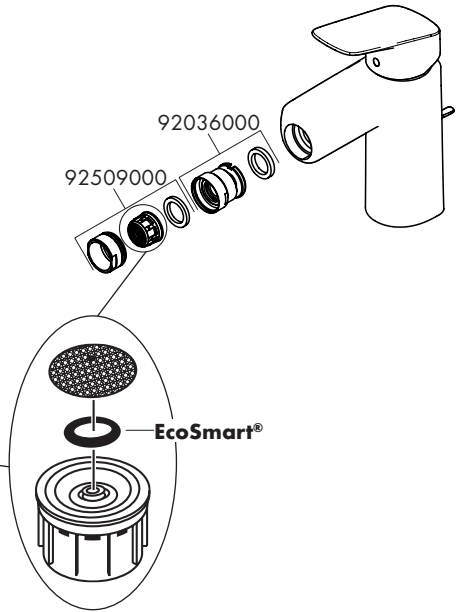


Logis 70

71203000 / 71204000

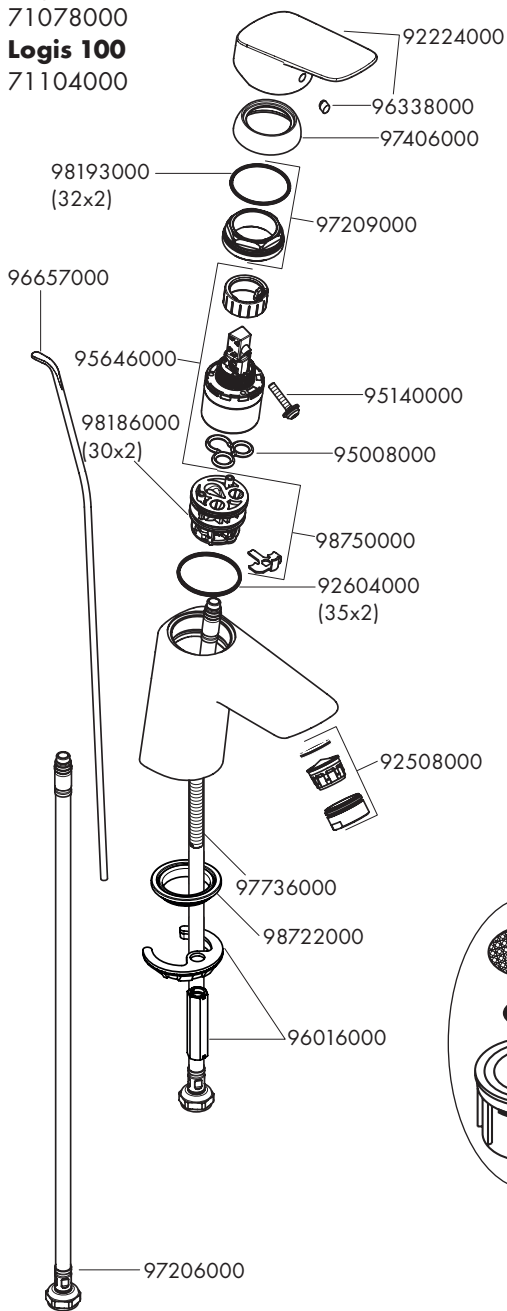
Logis 100

71200000





Logis 70
71078000
Logis 100
71104000



Logis 70 CoolStart
71072000 / 71073000 / 71098000
Logis 100 CoolStart
71102000 / 71103000 / 71149000

