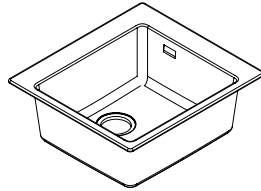


Instructions for use / assembly instructions



C51-F450-01	43212XXX
C51-F660-02	43213XXX
C51-F450-03	43214XXX
C51-F635-04	43215XXX
C51-F770-05	43216XXX
C51-F450-06	43217XXX
C51-F660-07	43218XXX
C51-F450-08	43219XXX
C51-F635-09	43220XXX
C51-F770-10	43221XXX
C51-F450-11	43227XXX
C51-F450-12	43228XXX
S510-F450	43312XXX/43318XXX
S510-F450	43322XXX/43323XXX
S510-F660	43313XXX/43319XXX
S510-F660	43324XXX/43325XXX
S510-F635	43315XXX
S514-F450	43314XXX
S510-F770	43316XXX/43321XXX
S510-F770	43328XXX/43329XXX
S510-F760	43317XXX/43320XXX
S510-F760	43326XXX/43327XXX
S5110-F450	43330XXX
S520-F345	43356XXX
S520-F530	43357XXX
S520-F480	43358XXX
S520-F510	43359XXX
S510-U450	43431XXX/43437XXX
S510-U450	43441XXX/43442XXX
S510-U660	43432XXX/43438XXX
S510-U660	43443XXX/43444XXX
S510-U660	43451XXX
S510-U635	43433XXX
S510-U760	43436XXX/43439XXX
S510-U760	43445XXX/43446XXX
S510-U770	43434XXX/43440XXX
S510-U770	43447XXX/43448XXX



Safety Notes

△ Gloves should be worn during installation to prevent crushing and cutting injuries.

Installation Instructions

- Prior to installation, inspect the product for transport damages. After it has been installed, no transport or surface damage will be honoured.
- The plumbing codes applicable in the respective countries must be observed.

Symbol description



Do not use silicone containing acetic acid!



Dimensions (see page 17)



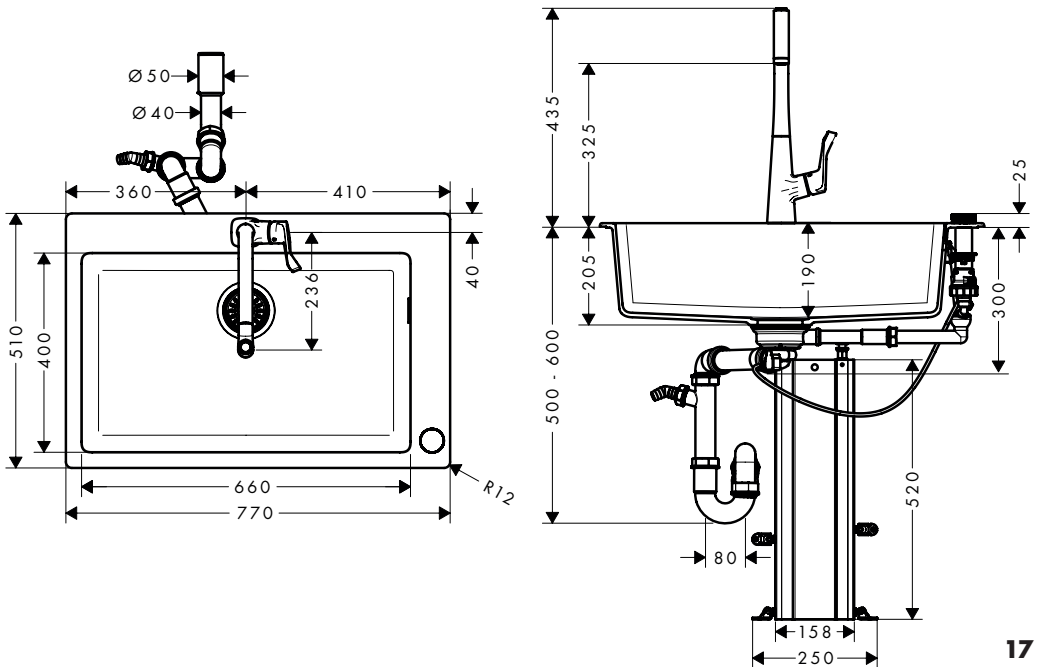
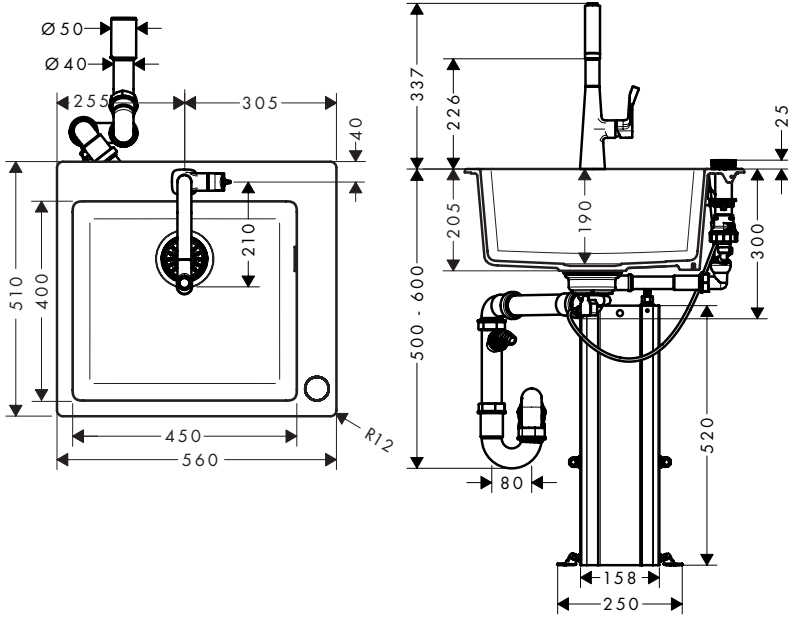
Cleaning (see page 35)



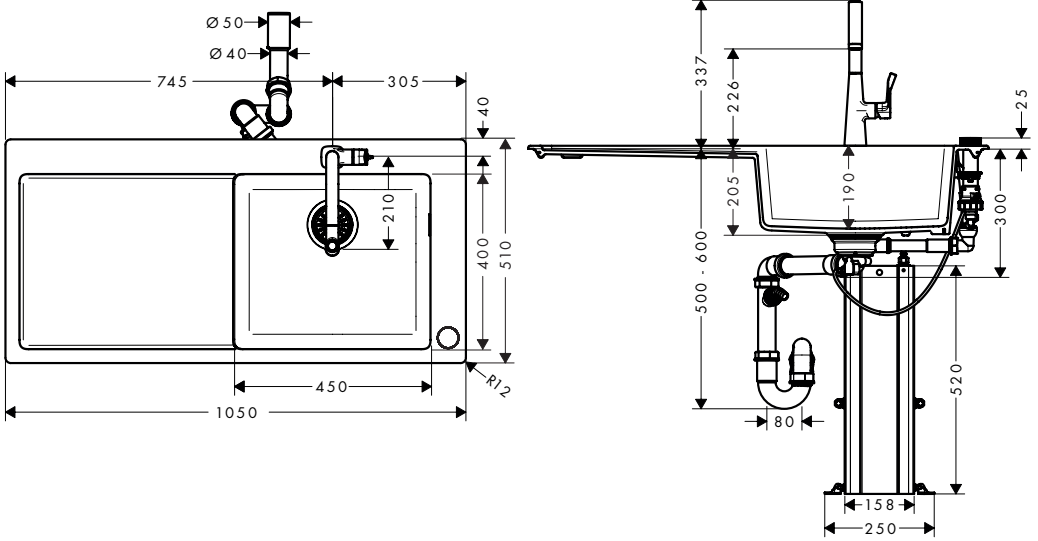
Surface-mounted installation
(see page 32)



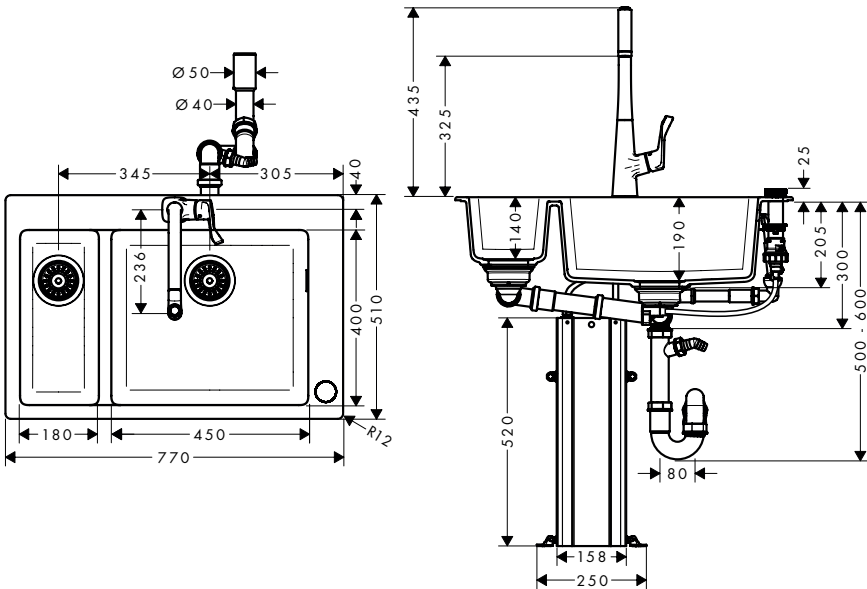
Undermount installation
(see page 34)

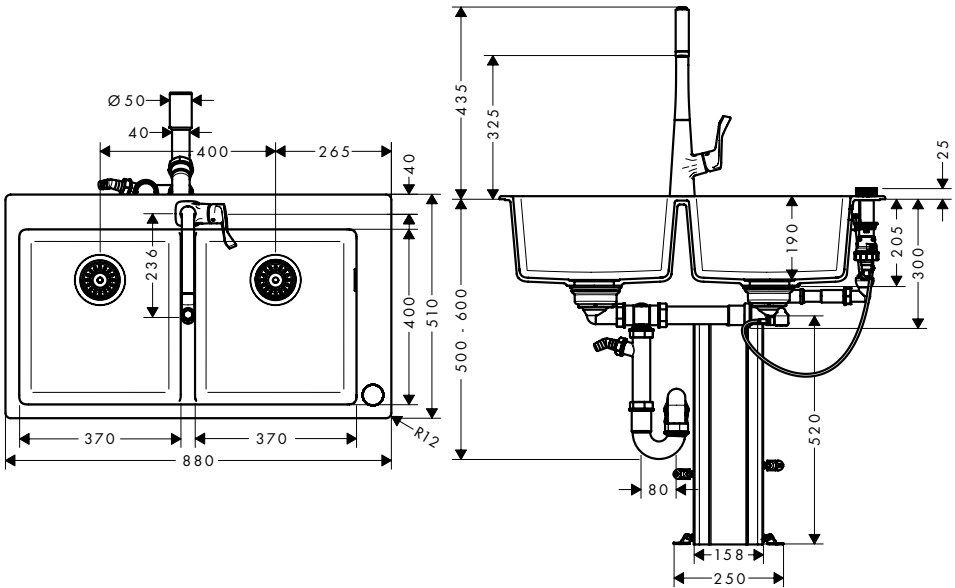
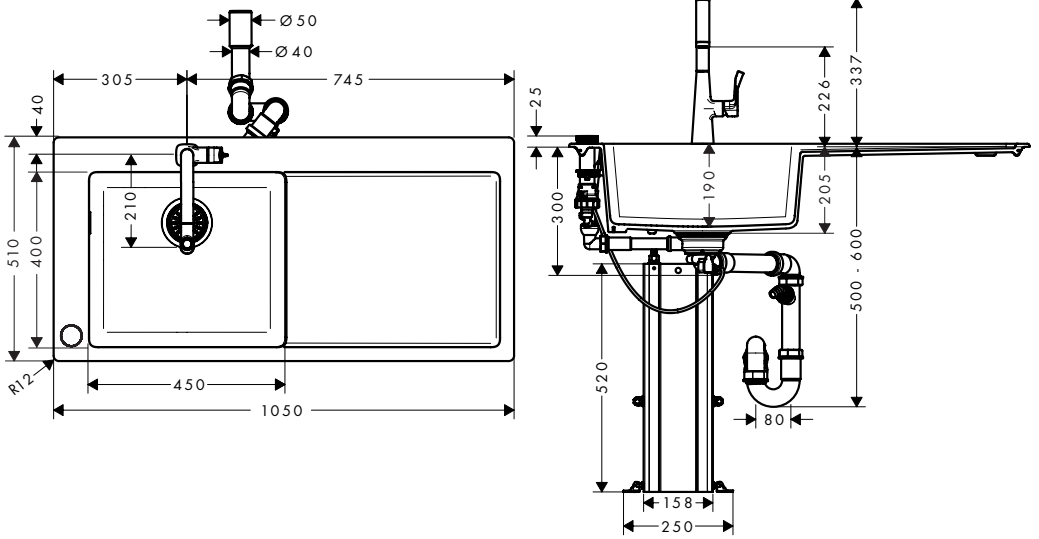


C51-F450-03 43214XXX

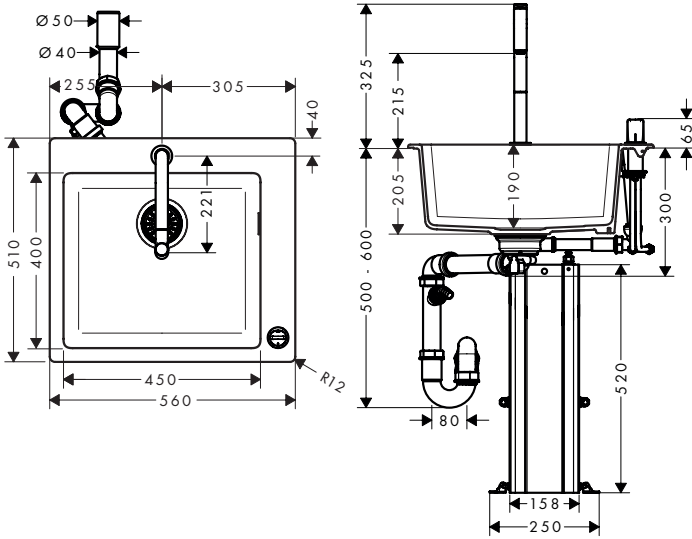


C51-F635-04 43215XXX

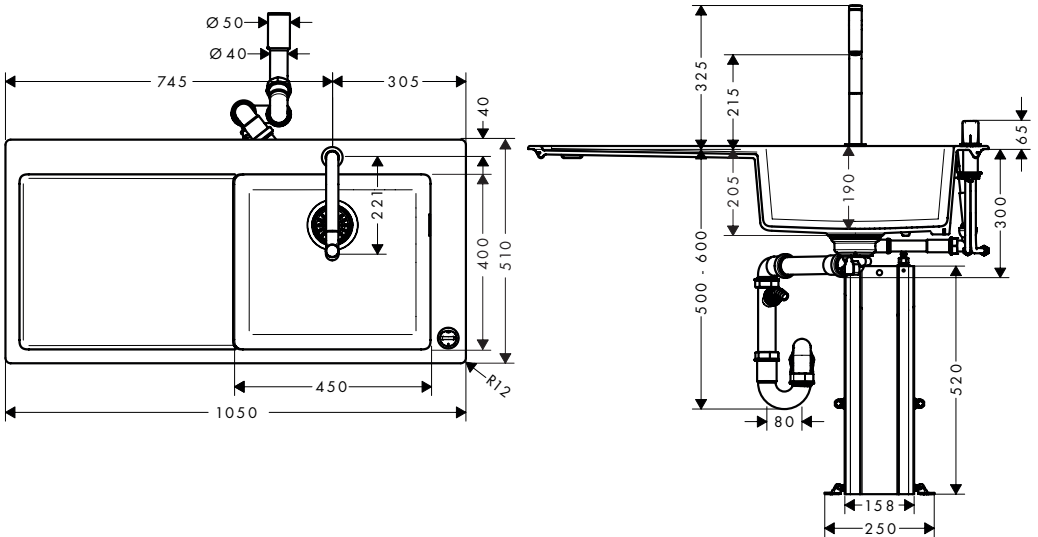


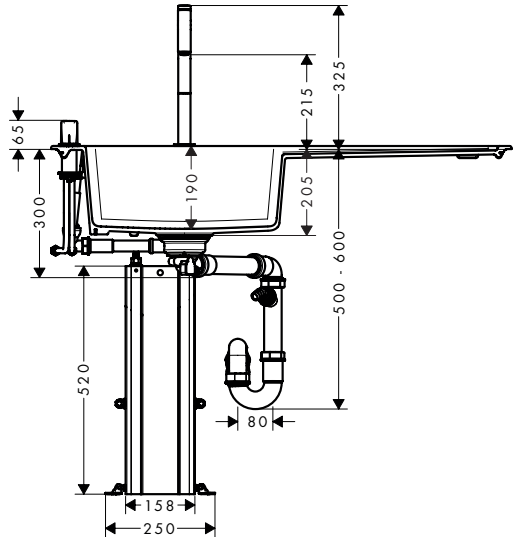
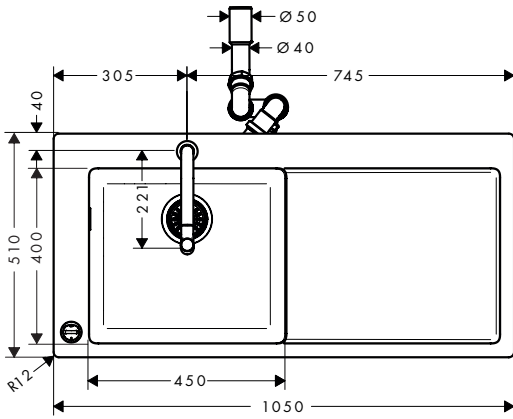
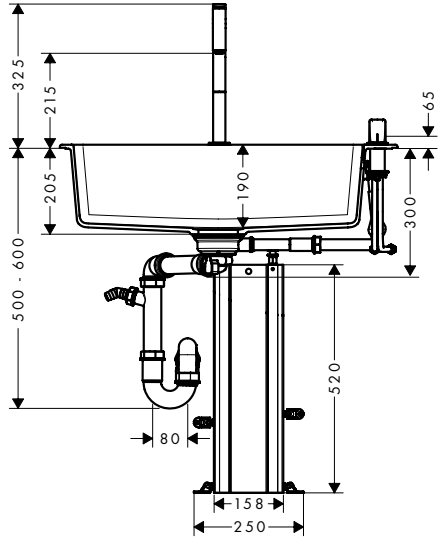
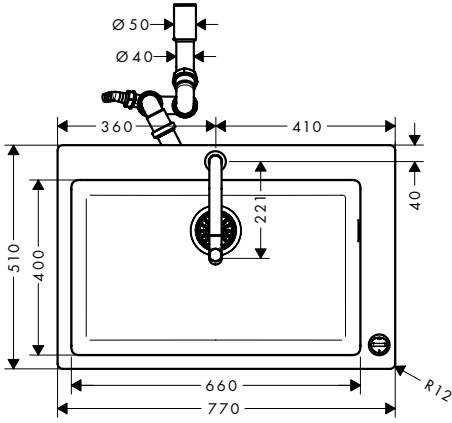


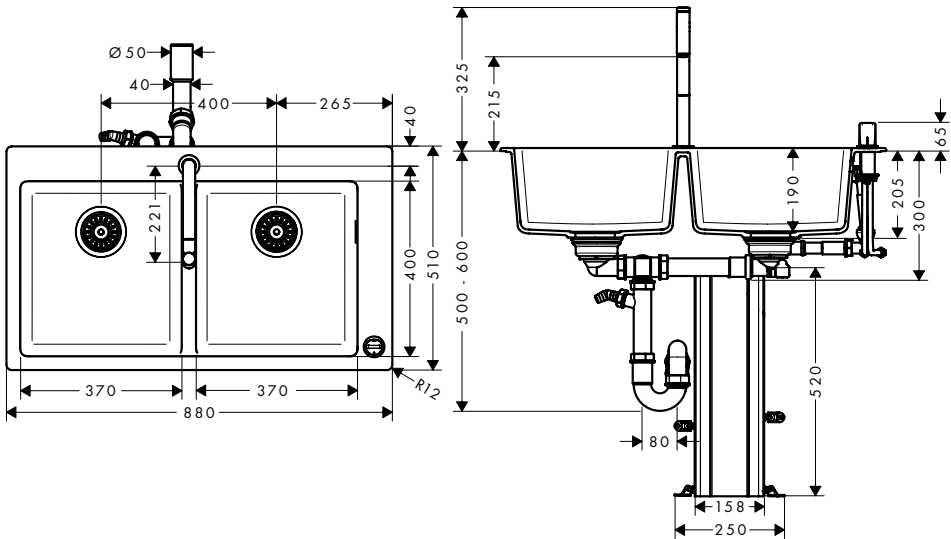
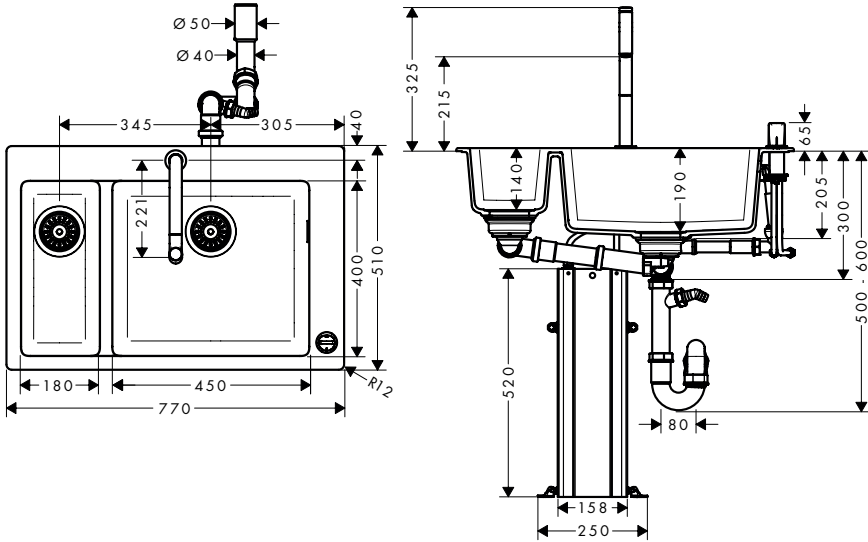
C51-F450-06 43217XXX

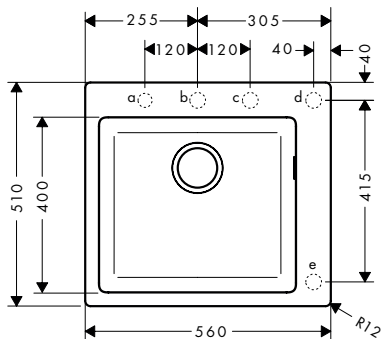


C51-F450-08 43219XXX

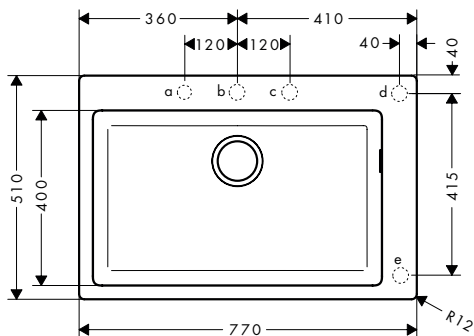
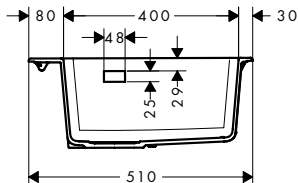
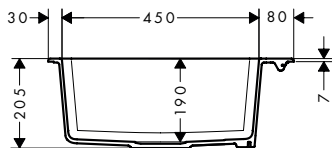




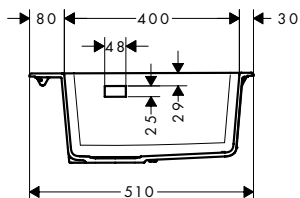
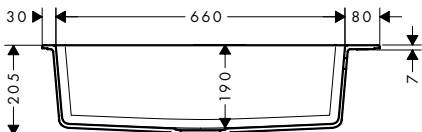


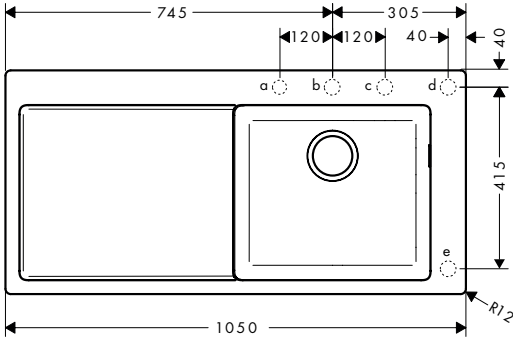


a, b, c, d, e = \varnothing 35

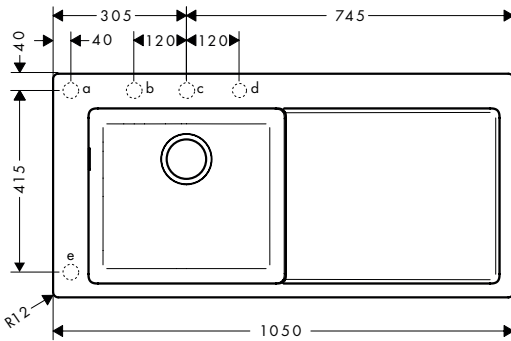
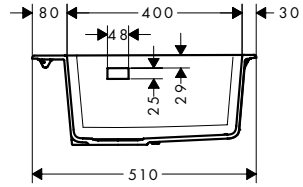
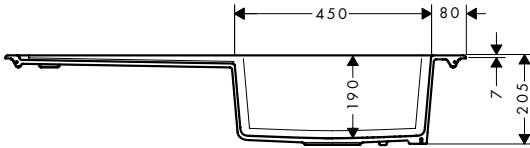


a, b, c, d, e = \varnothing 35

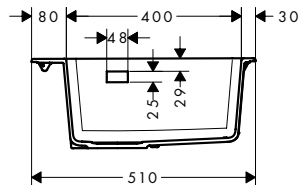
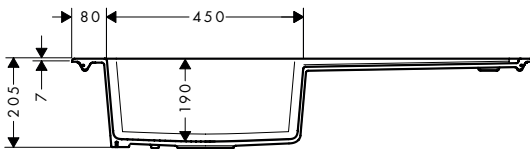


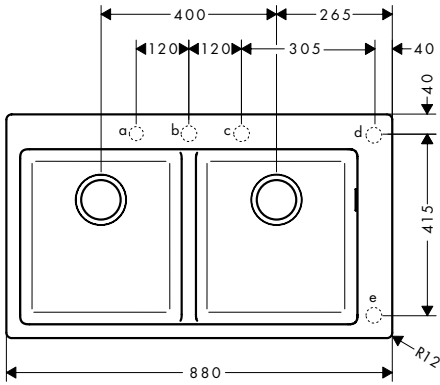


a, b, c, d, e = \varnothing 35

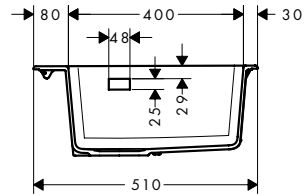
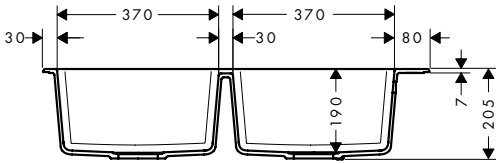


a, b, c, d, e = \varnothing 35

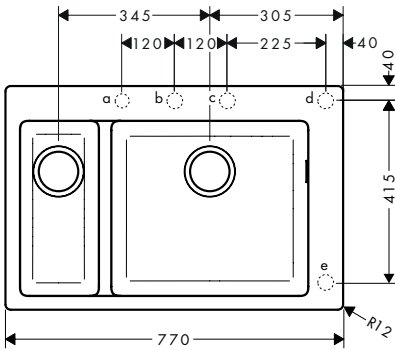




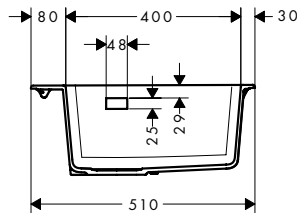
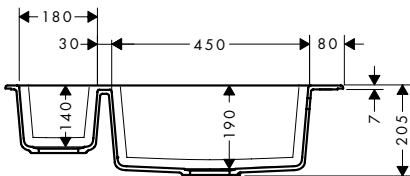
a, b, c, d, e = \varnothing 35



S510-F635 43315XXX

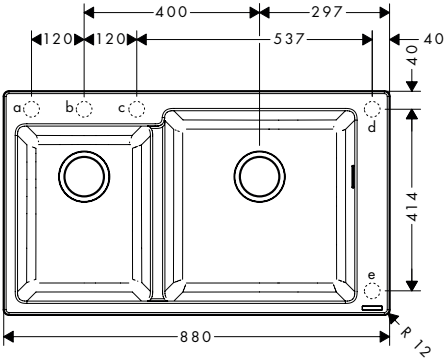


a, b, c, d, e = \varnothing 35

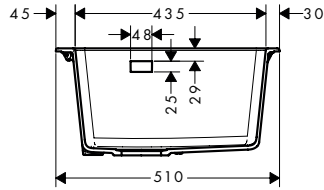
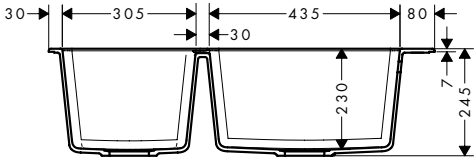




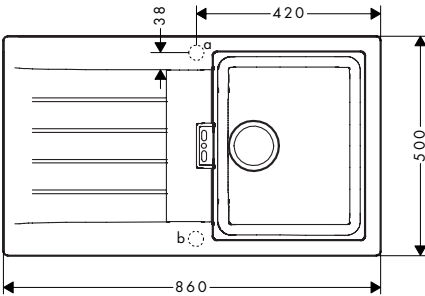
S510-F760 43317XXX / 43320XXX / 43326XXX / 43327XXX



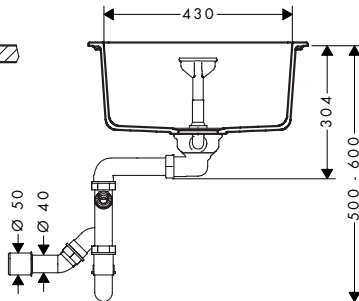
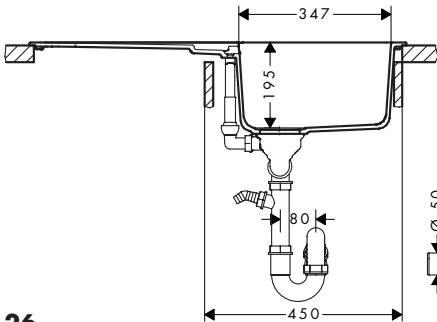
a, b, c, d, e = \varnothing 35

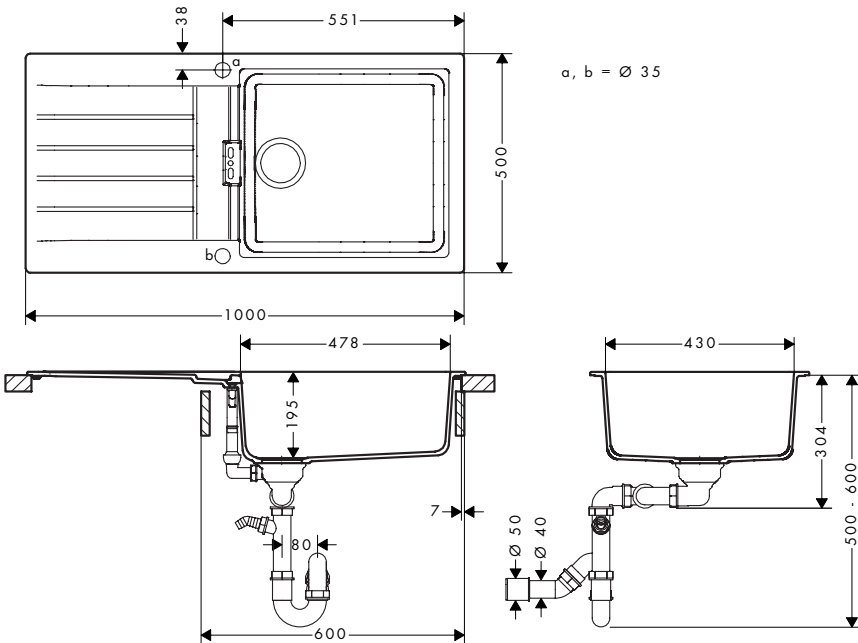
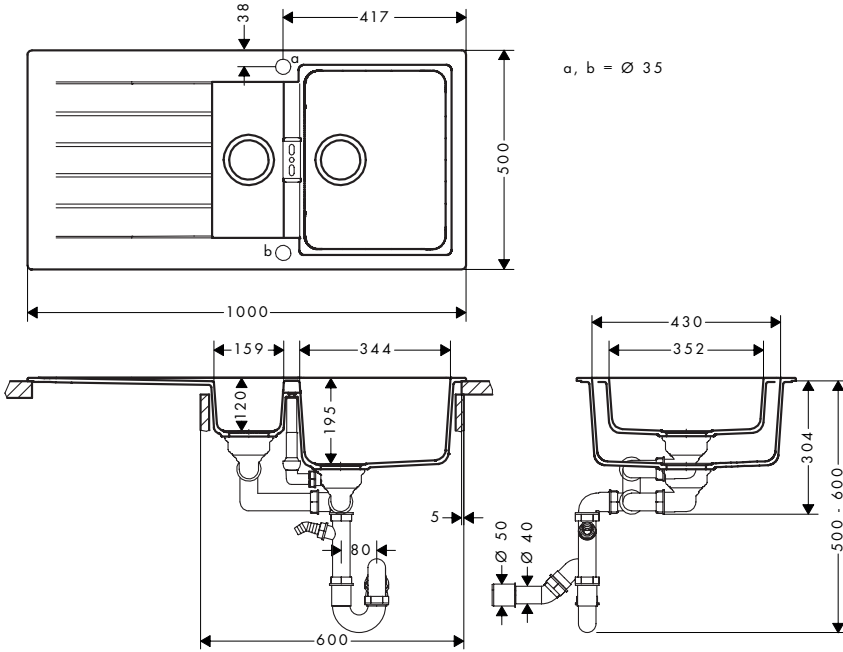


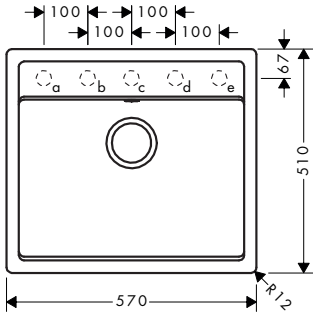
S520-F345 43356XXX



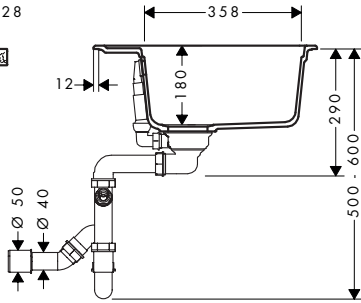
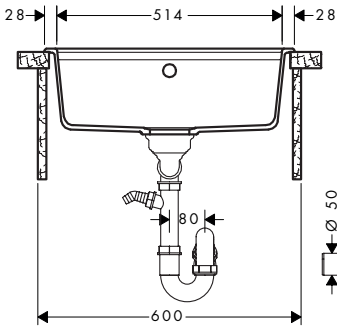
a, b = \varnothing 35

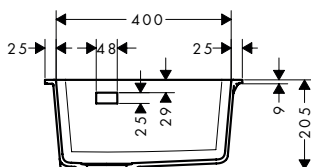
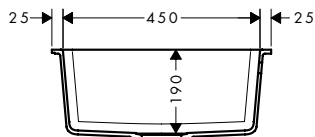
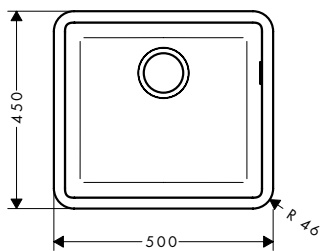




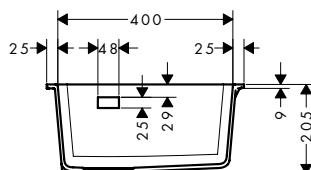
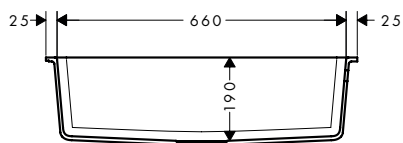
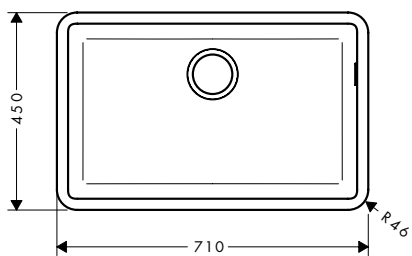


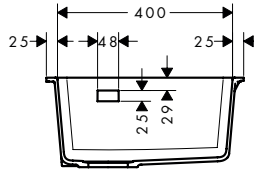
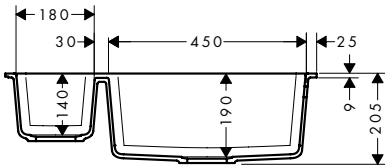
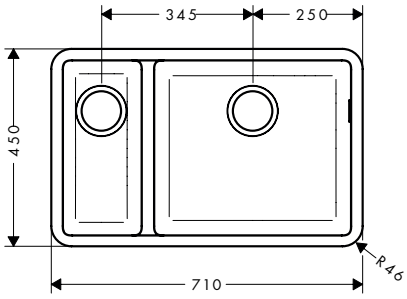
a, b, c, d, e = \varnothing 35



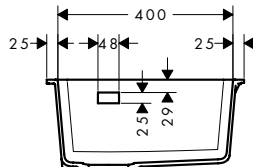
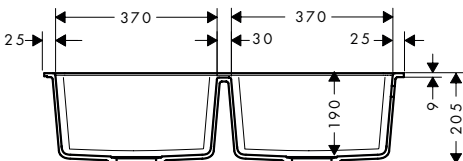
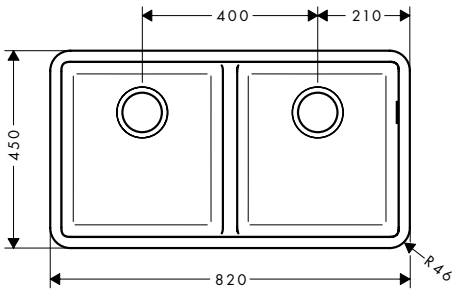


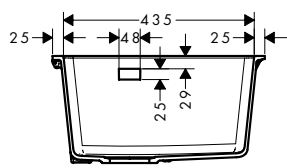
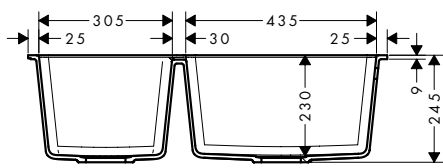
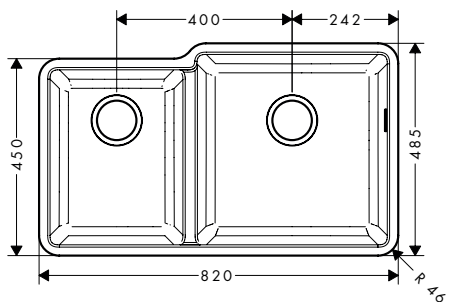
S510-U660 43432XXX / 43438XXX / 43443XXX / 43444XXX / 43451XXX

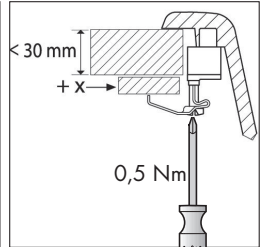
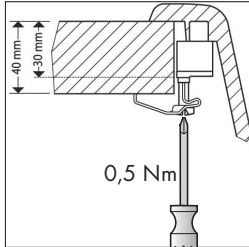
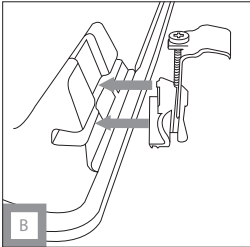
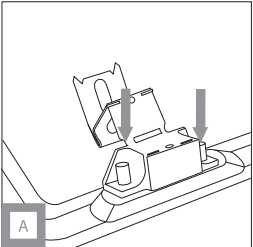
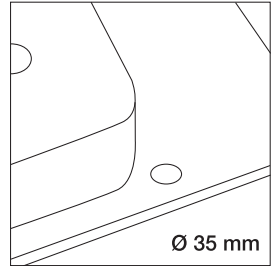
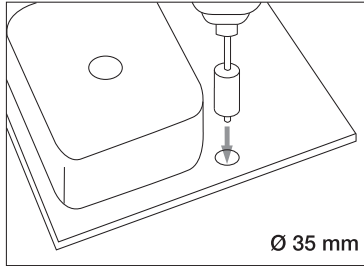
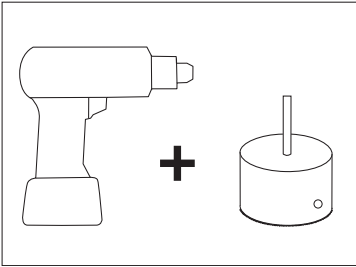
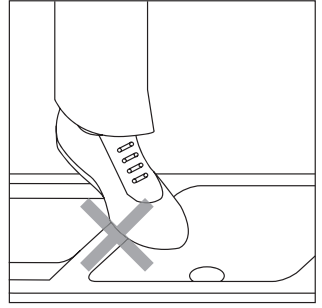
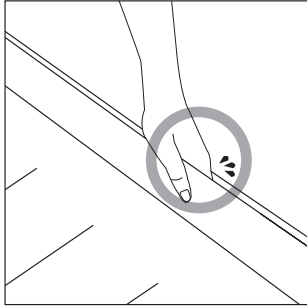
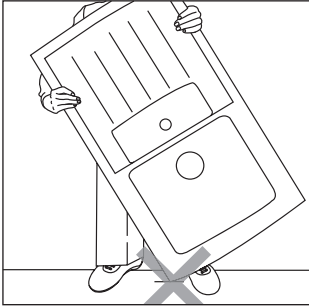


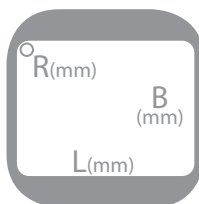
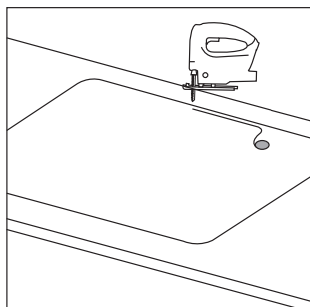


S510-U770 43434XXX / 43440XXX / 43447XXX / 43448XXX

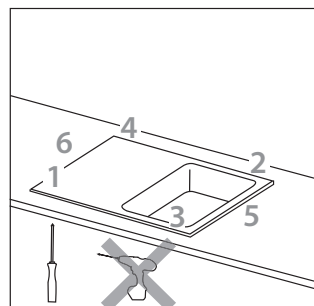
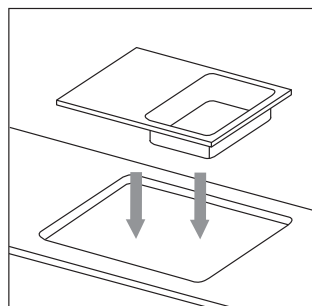
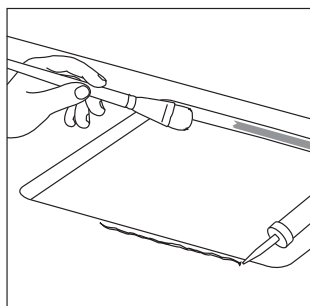


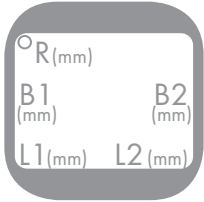
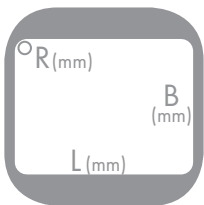
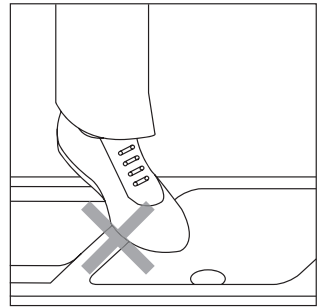
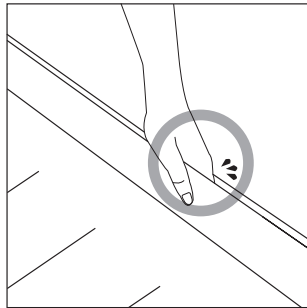
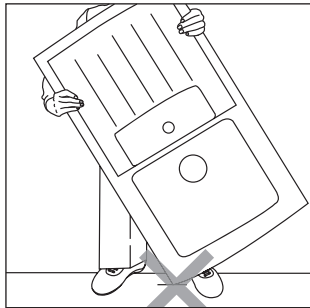




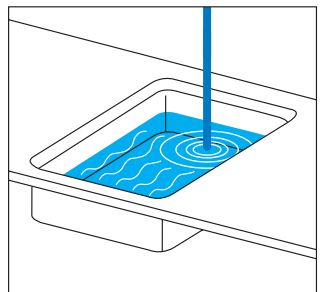
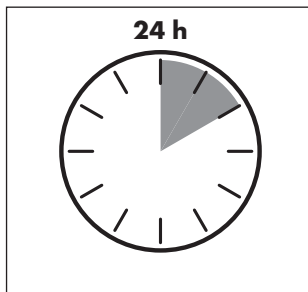
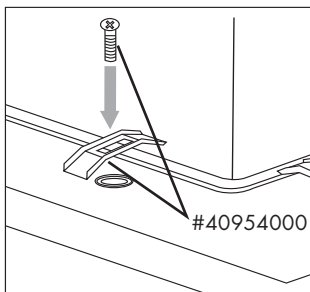
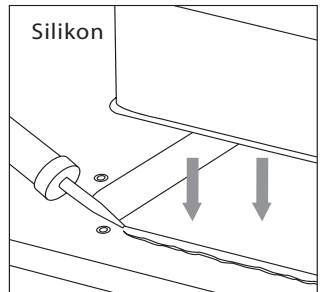
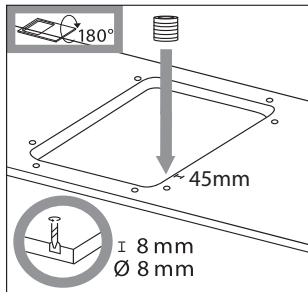
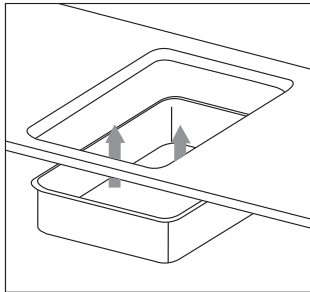


		L	B	R
43212XXX/43217XXX 43312XXX/43318XXX 43322XXX/43323XXX		540	490	10
43213XXX/43218XXX 43313XXX/43319XXX 43324XXX/43325XXX		750	490	10
43214XXX 43219XXX 43314XXX		1030	490	10
43227XXX 43228XXX 43330XXX		1030	490	10
43215XXX 43220XXX 43315XXX		750	490	10
43216XXX/43221XXX 43316XXX/43321XXX 43328XXX/43329XXX 43317XXX/43320XXX 43326XXX/43327XXX		860	490	10
43356XXX		840	480	10
43357XXX 43358XXX		980	480	10
43359XXX		552	490	10





		L	B	R
43431XXX/43437XXX 43441XXX/43442XXX		448	398	16
43432XXX/43438XXX 43443XXX/43444XXX 43451XXX		658	398	16
43433XXX		658	398	16
43434XXX/43440XXX 43447XXX/43448XXX		768	398	16
		L1/L2	B1/B2	R
43436XXX/43439XXX 43445XXX/43446XXX		335/433	398/433	16

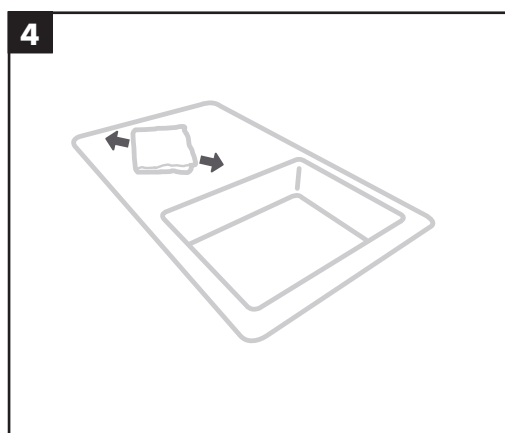
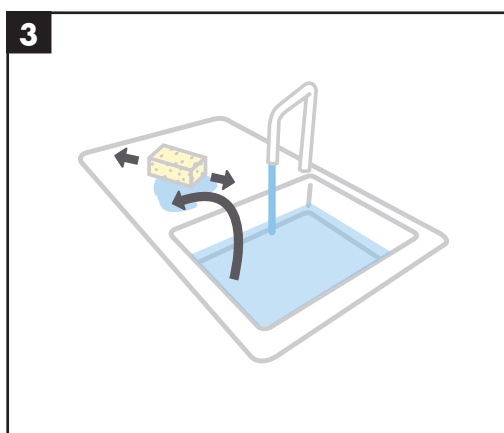
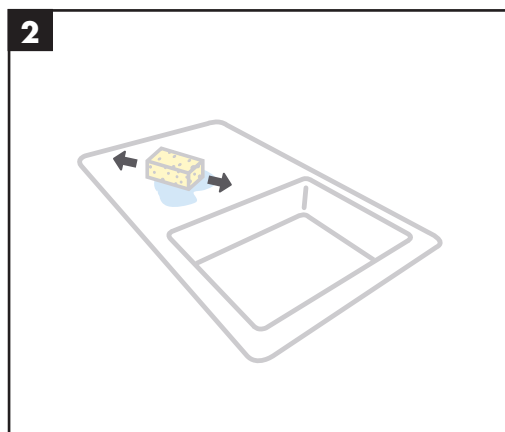
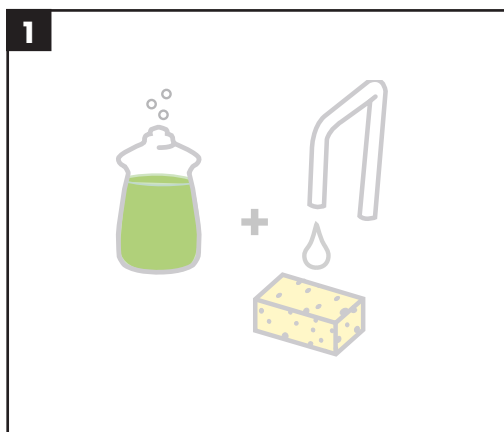


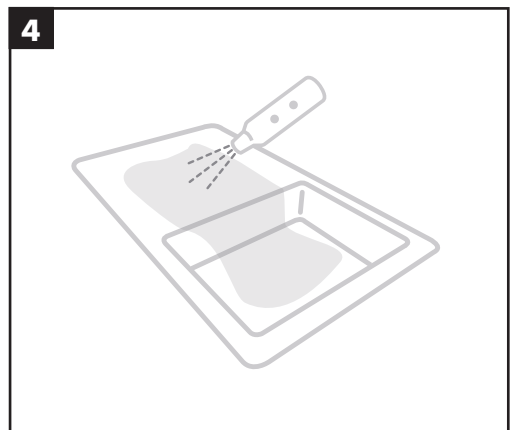
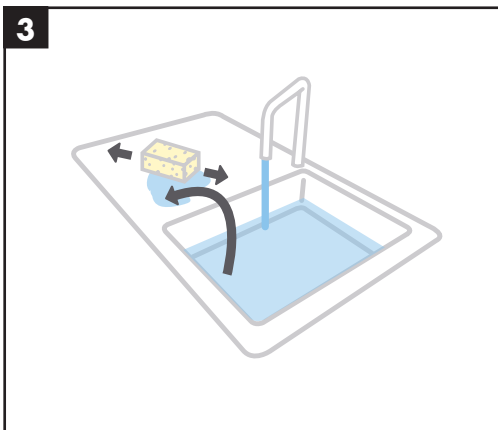
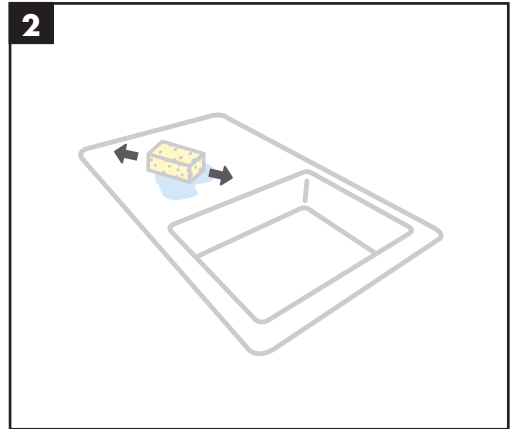
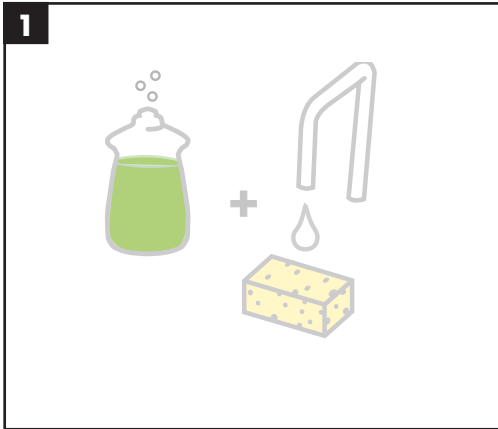


Cleaning and caring for quartz composite sink

Do not use abrasive cleaning creams or powders, concentrated caustic soda, formic acid or anything highly corrosive.







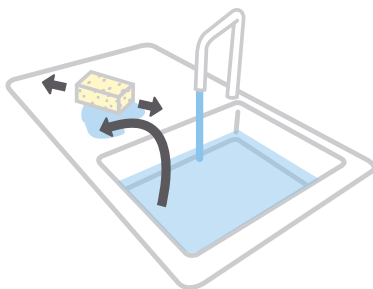


5

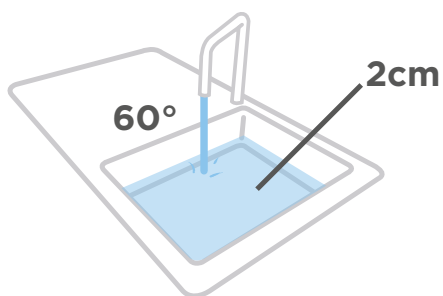


00:10:00

6



7



8

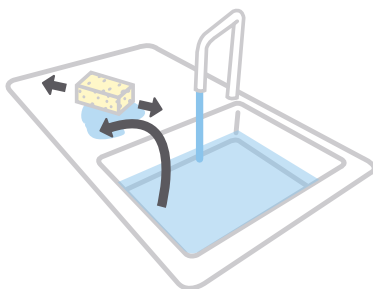


9



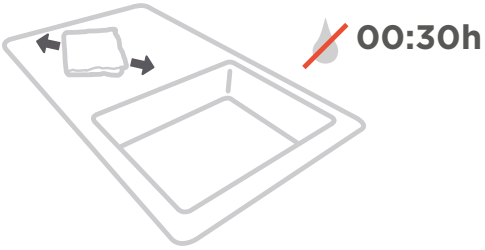
01:30:00

10

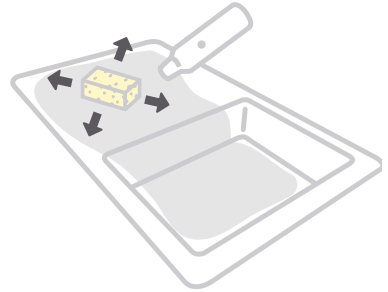




11



12



13



00:01:00

14

