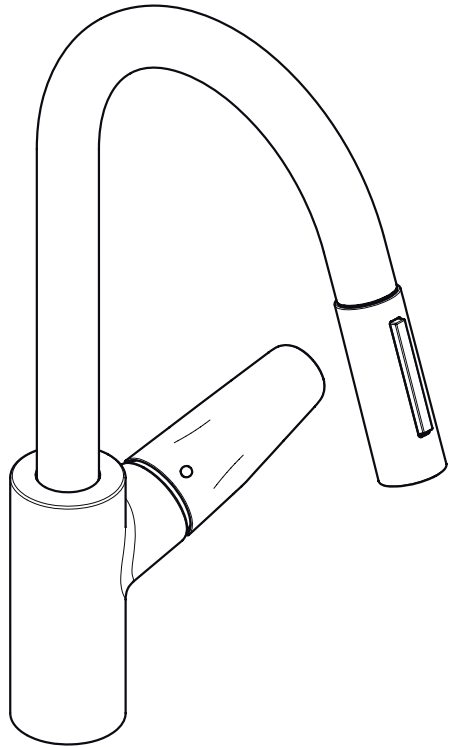


# hansgrohe

Instructions for use / Assembly instructions



**Focus M41 240 2jet**

31815XXX / 31846XXX

**Focus M41 240 Eco 2jet**

31813000

**Focus M41 240 Eco 2jet**

31833XXX



## Safety Notes

- △ Gloves should be worn during installation to prevent crushing and cutting injuries.
- △ The hot and cold supplies must be of equal pressures.

## Installation Instructions

- Prior to installation, inspect the product for transport damages. After it has been installed, no transport or surface damage will be honoured.
- The pipes and the fixture must be installed, flushed and tested as per the applicable standards.
- The plumbing codes applicable in the respective countries must be observed.
- **31813000 / 31833000:** The mixer can not used together with a continuous flow water heater.

## Technical Data

Operating pressure: max. 1 MPa  
 Recommended operating pressure: 0,1 - 0,5 MPa  
 Test pressure: 1,6 MPa  
 (1 MPa = 10 bar = 147 PSI)

Hot water temperature: max. 60 °C  
 Thermal disinfection: 70 °C / 4 min

The product is exclusively designed for drinking water!

## Symbol description



Do not use silicone containing acetic acid!



## Adjustment (see page 35)

To adjust the hot water limiter. Using a hot water limiter in combination with a continuous flow water heater is not recommended.



## Maintenance (see page 37)

The check valves must be checked regularly according to EN 806-5 in accordance with national or regional regulations (at least once a year).



## Dimensions (see page 38)



## Flow diagram (see page 39)



## Spare parts (see page 40)

## Special accessories (order as an extra)



Adapter (G<sup>3</sup>/<sub>8</sub> / G<sup>1</sup>/<sub>2</sub>)  
#93395000 (see page 40)



## Cleaning (see page 36)



## Operation (see page 42)

Hansgrohe recommends not to use as drinking water the first half liter of water drawn in the morning or after a prolonged period of non-use.



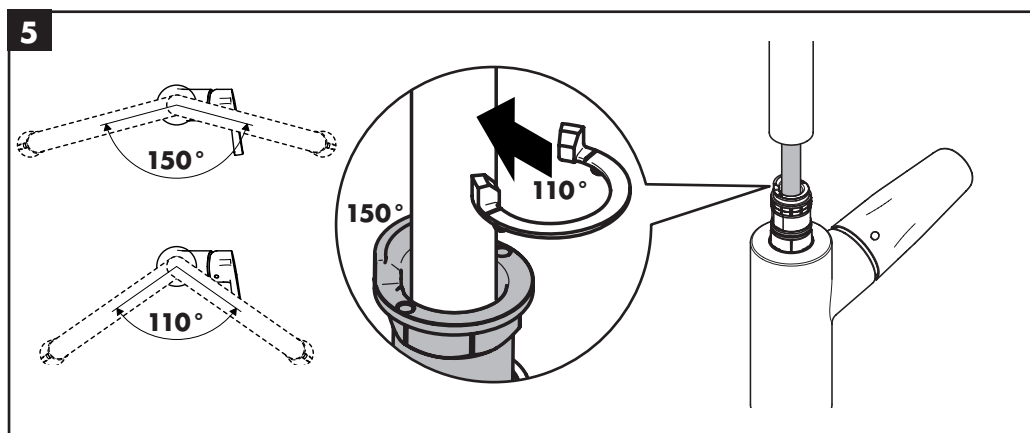
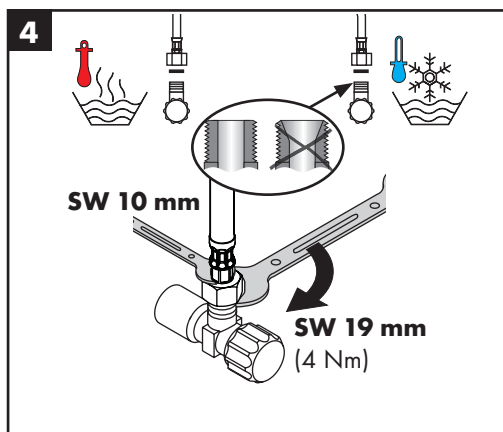
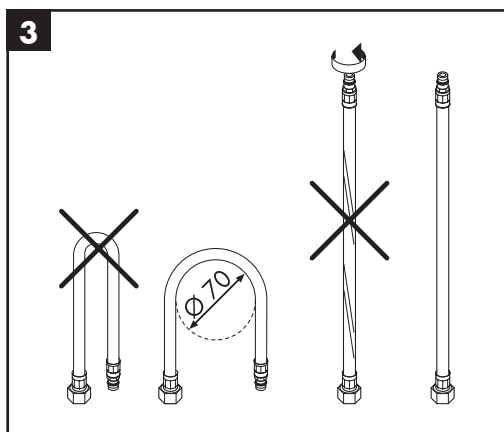
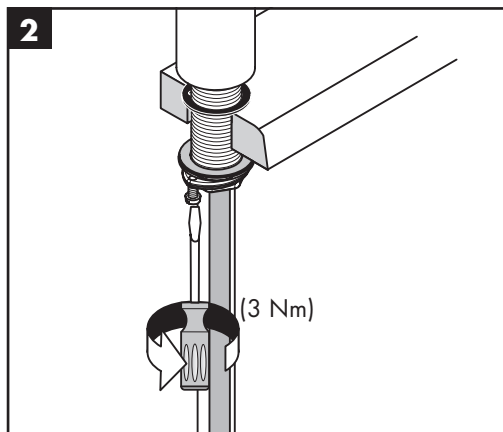
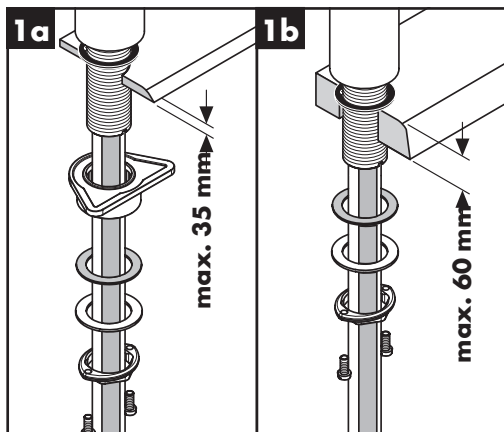
## Test certificate (see page 48)

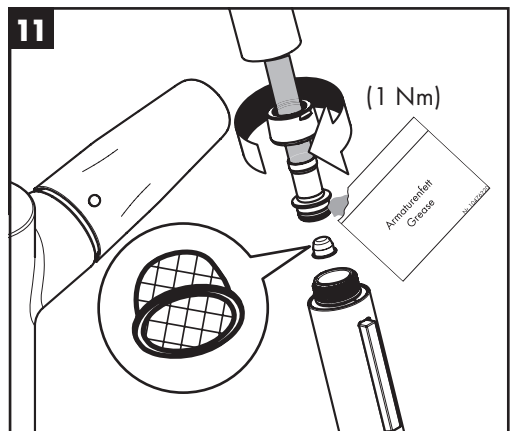
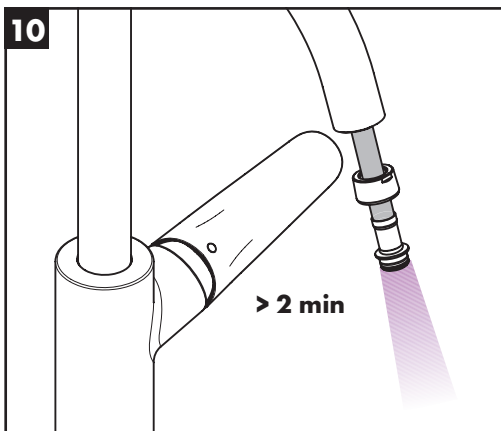
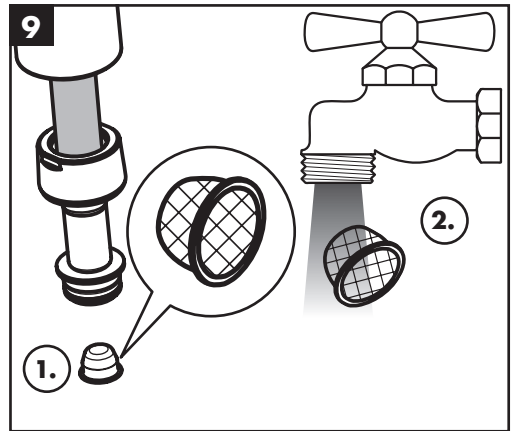
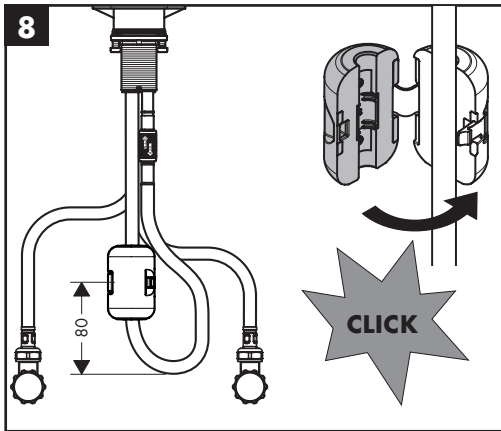
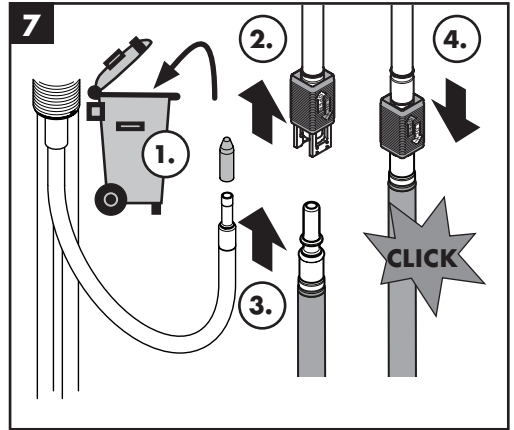
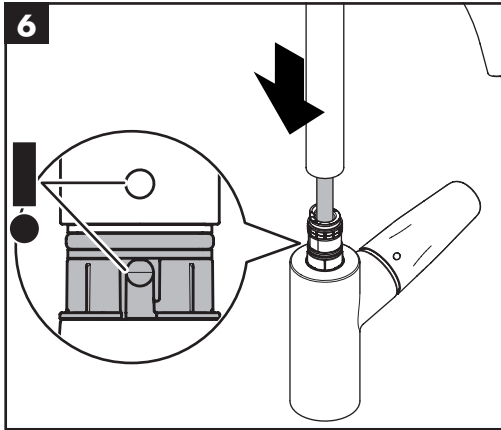
### Fault

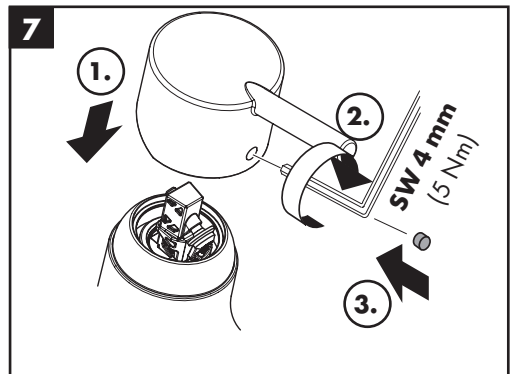
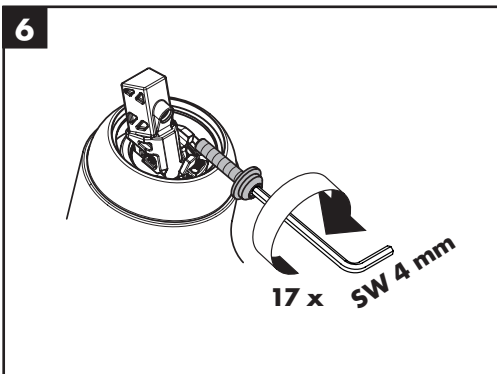
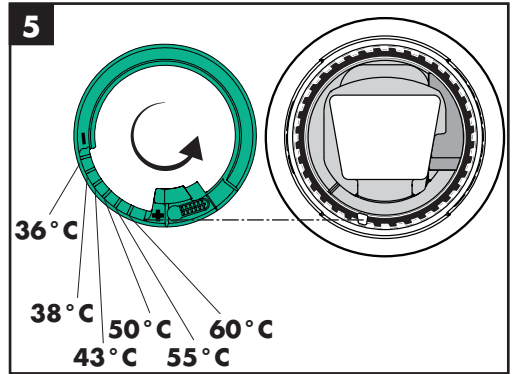
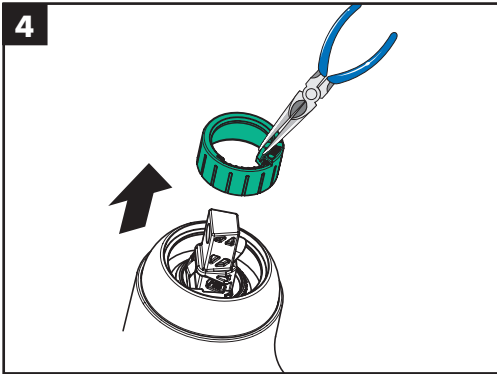
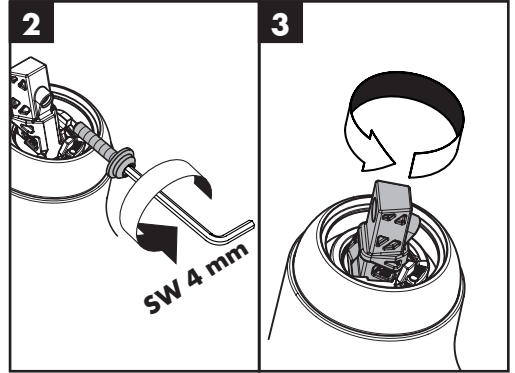
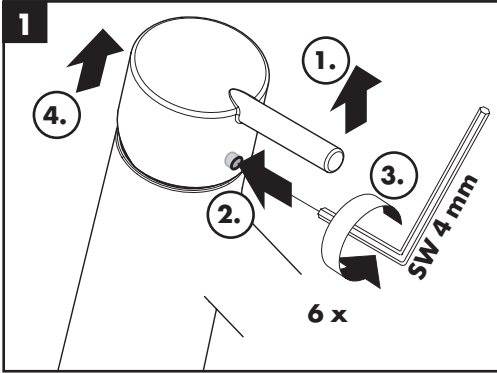
### Cause

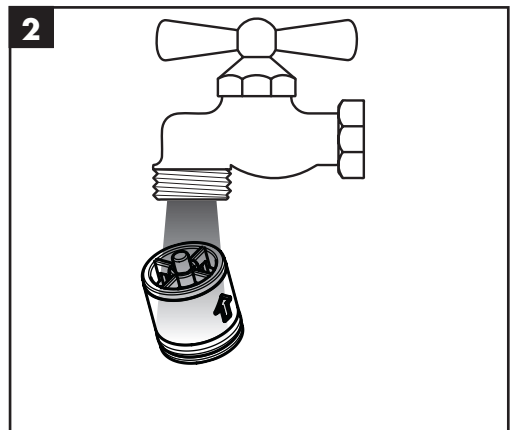
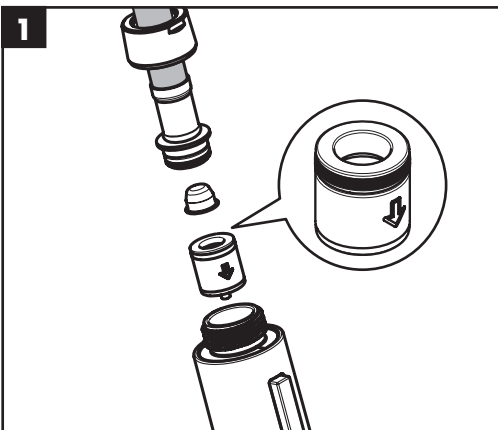
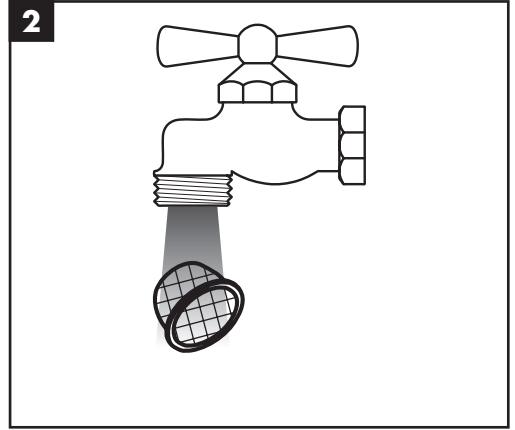
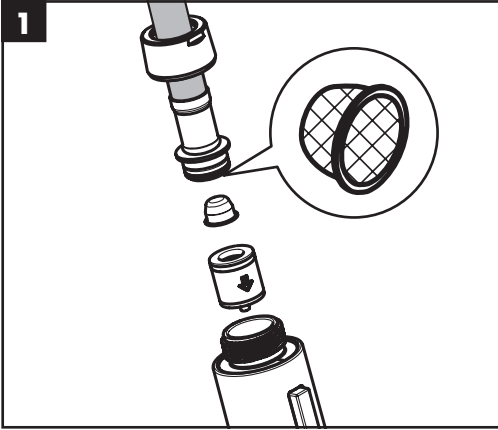
### Remedy

Insufficient water	- Aerator calcified, dirty	- Clean aerator, replace as necessary
Mixer stiff	- Cartridge defective, calcified	- Exchange cartridge
Mixer dripping	- Cartridge defective	- Exchange cartridge
Water escaping in area of swivel spout	- O-ring defective	- Exchange O-ring
Water escaping at the threaded base	- connection hoses not completely screwed into basic body	- Tighten connection hoses by hand
	- O-ring at the connection hose defective.	- Exchange O-ring
Hot water temperature too low	- Hot water limiter incorrectly set	- Set hot water limiter











**Focus M41 240 2jet**

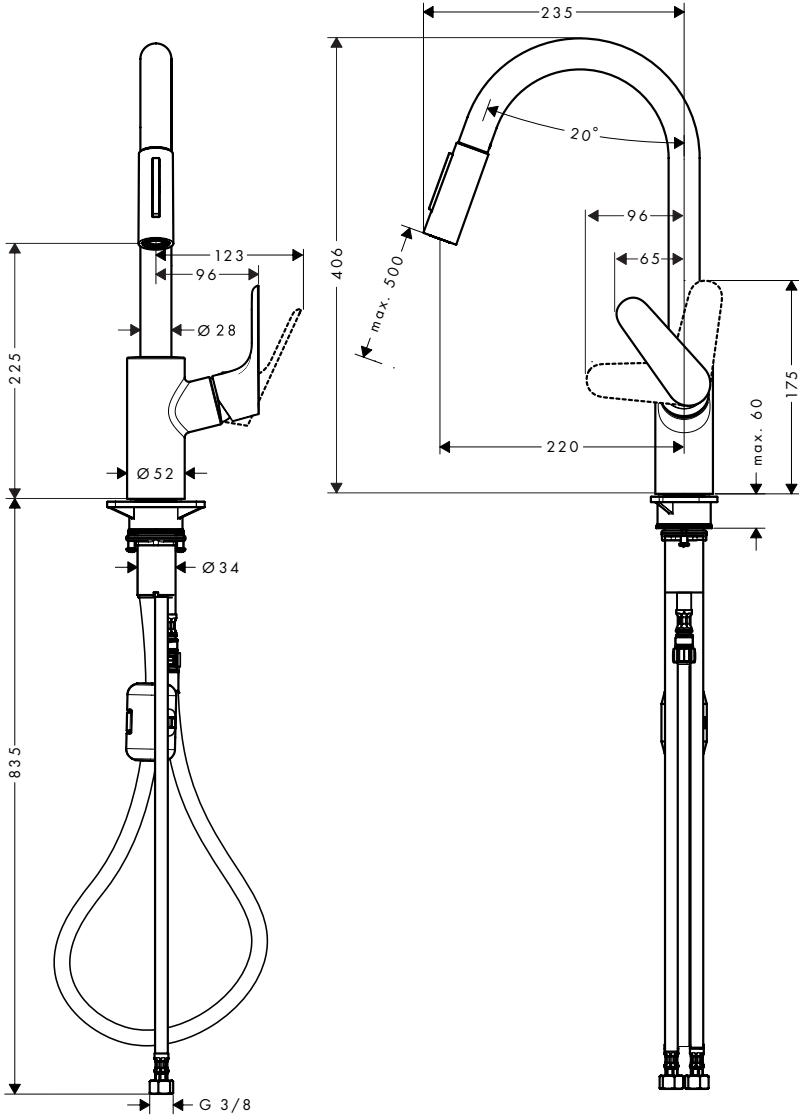
31815XXX / 31846XXX

**Focus M41 240 Eco 2jet**

31813000

**Focus M41 240 Eco 2jet**

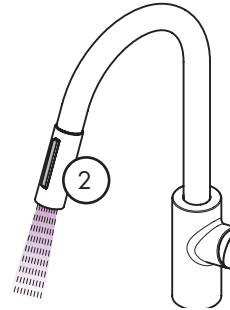
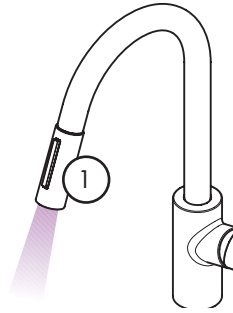
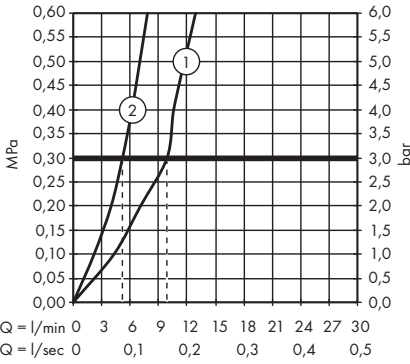
31833XXX





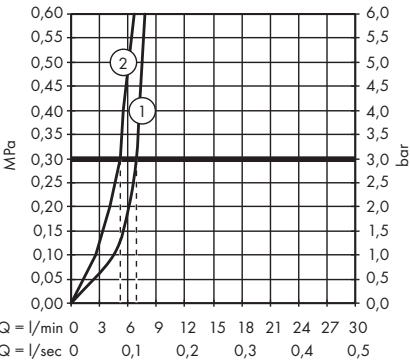
### Focus M41 240 2jet

31815XXX / 31846XXX



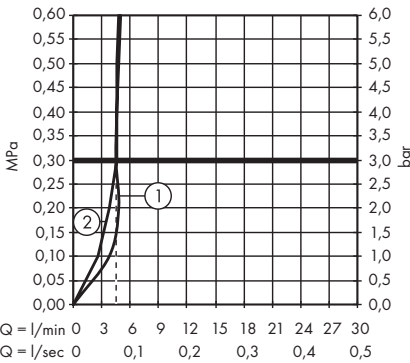
### Focus M41 240 Eco 2jet

31813000



### Focus M41 240 Eco 2jet

31833XXX



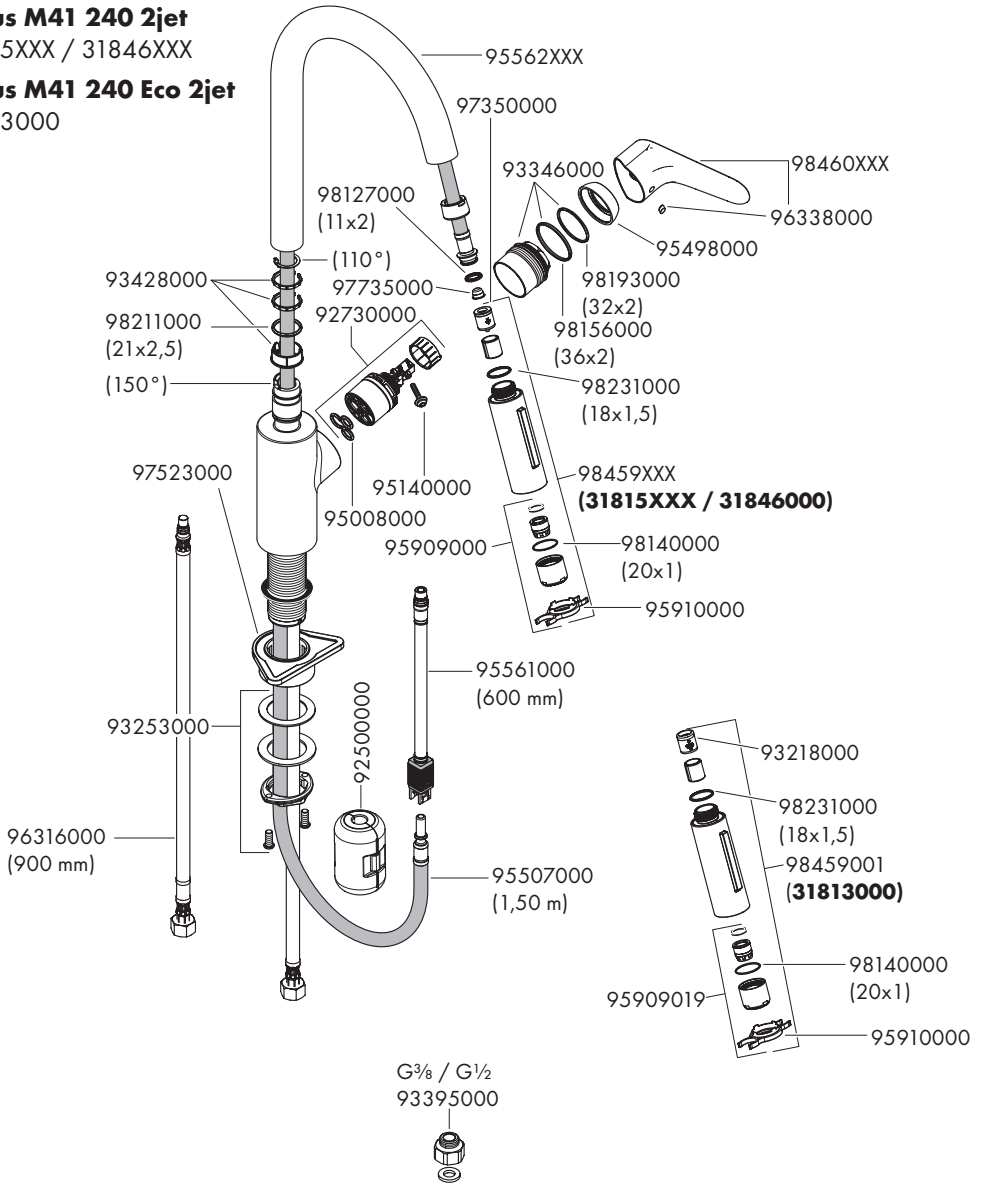


### Focus M41 240 2jet

31815XXX / 31846XXX

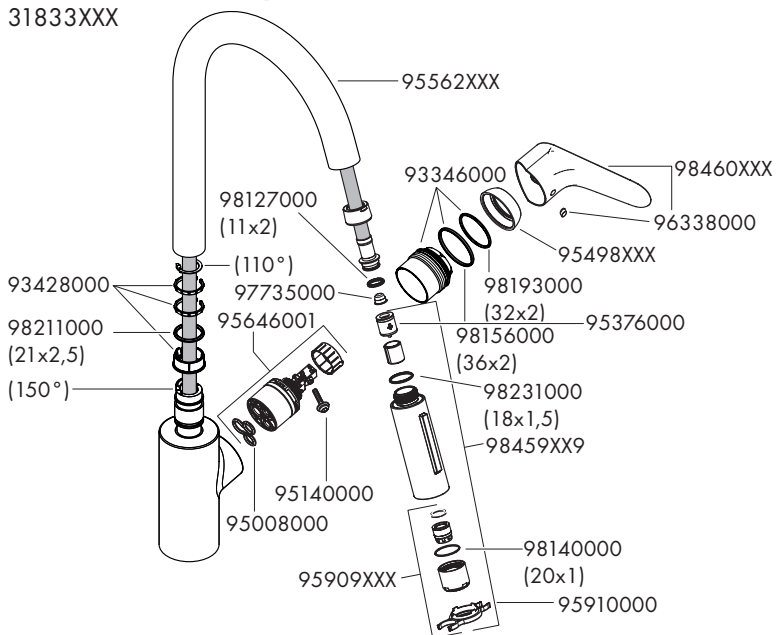
### Focus M41 240 Eco 2jet

31813000



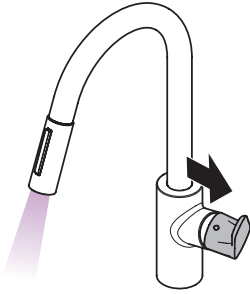
# Focus M41 240 Eco 2jet

31833XXX

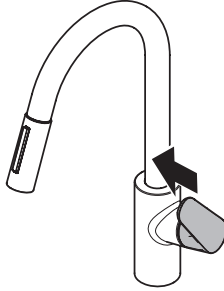
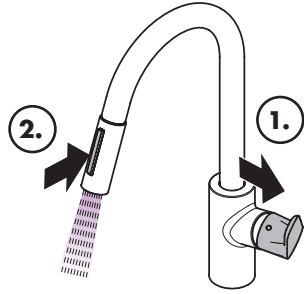


XXX = Colours

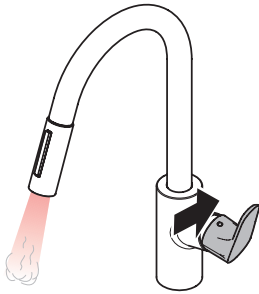
- 000 = Chrome
- 140 = Brushed Bronze
- 300 = Polished Redgold
- 310 = Brushed Redgold
- 330 = Polished Black Chrome
- 340 = Brushed Black Chrome
- 670 = Matt Black
- 800 = Stainless Steel Optic
- 950 = Brushed Brass



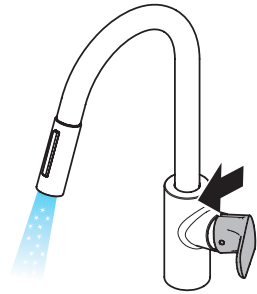
open



close



hot



cold