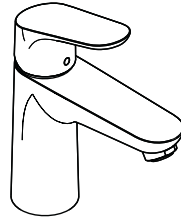
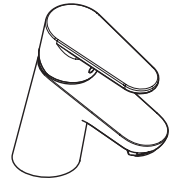


EN Instructions for use / assembly instructions



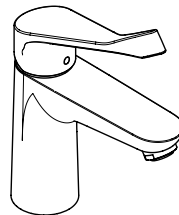
**Focus 100
CoolStart**
31509000
31621000
31557000

Focus 100
31513000
31517000
31603000
31607000
31979000



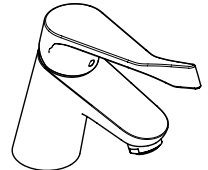
**Focus 70
CoolStart**
31539000
31545000

Focus 70
31604000
31730000
31732000
31733000
31951000
31952000
31975000

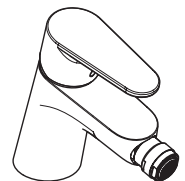


**Focus Care 100
CoolStart**
31917000

Focus Care 100
31911000
31915000



Focus Care 70
31908000
31910000
31914000



Focus
31920000
31922000



Safety Notes

- △ Gloves should be worn during installation to prevent crushing and cutting injuries.
- △ The product may only be used for bathing, hygienic and body cleaning purposes.
- △ The hot and cold supplies must be of equal pressures.

Installation Instructions

- Prior to installation, inspect the product for transport damages. After it has been installed, no transport or surface damage will be honoured.
- The pipes and the fixture must be installed, flushed and tested as per the applicable standards.
- The plumbing codes applicable in the respective countries must be observed.
- The drain valve must only be used as intended. It is not allowed to attach other objects to the drain valve, for example a semi-pedestal.
- If the instantaneous water heater causes problems or if you wish to increase the water flow, the EcoSmart® (flow limiter) located behind the aerator can be removed.

Technical Data

This mixer series-produced with EcoSmart® (flow limiter)

Operating pressure:	max. 1 MPa
Recommended operating pressure:	0,1 - 0,5 MPa
Test pressure:	1,6 MPa
	(1 MPa = 10 bar = 147 PSI)
Hot water temperature:	max. 60°C
Thermal disinfection:	70°C / 4 min

The product is exclusively designed for drinking water!

Symbol description



Do not use silicone containing acetic acid!



Adjustment (see page 34)

To adjust the hot water limiter. Using a hot water limiter in combination with a continuous flow water heater is not recommended.



Dimensions (see page 40)



Flow diagram (see page 43)

- ① with EcoSmart®
- ② without EcoSmart®



Spare parts (see page 35)

Special accessories (order as an extra)



- special tool #58085000 (see page 32)



- Installation putty (see page 33)



- seal #98996000 (see page 32)



Cleaning (see page 44)

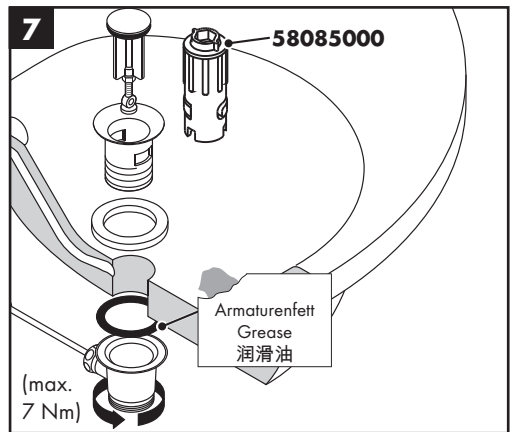
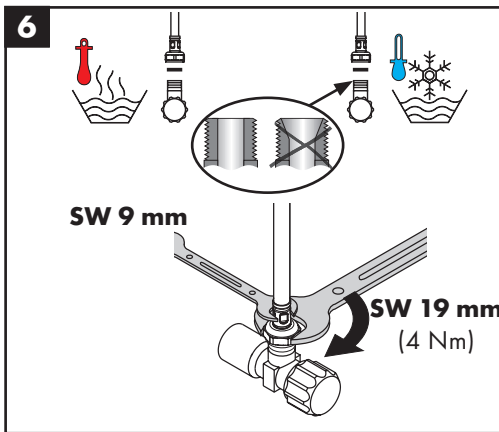
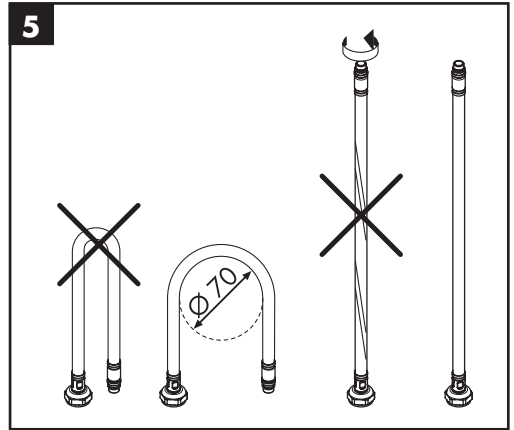
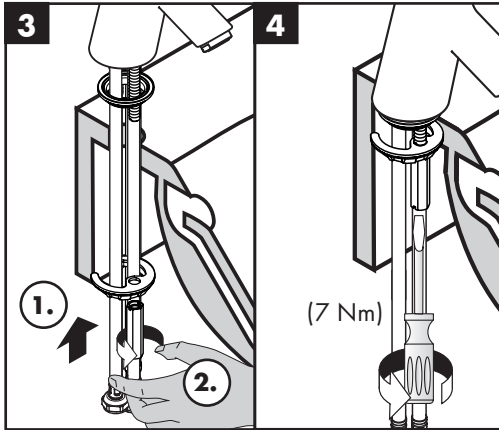
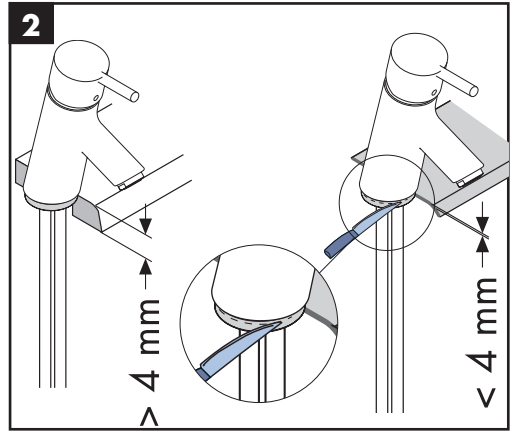
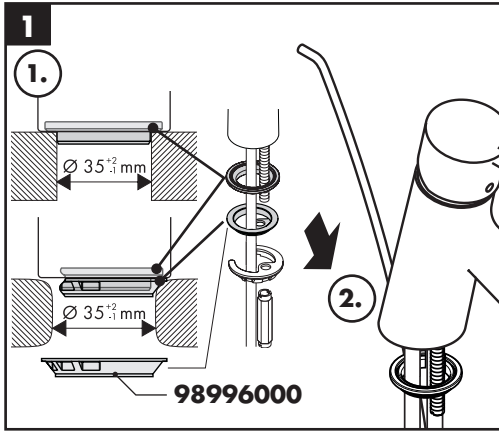


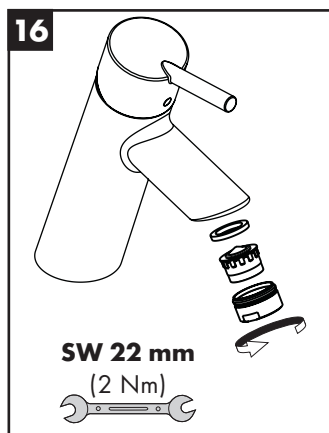
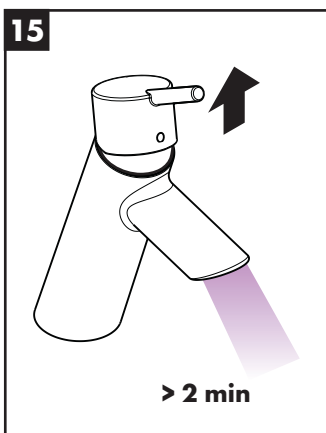
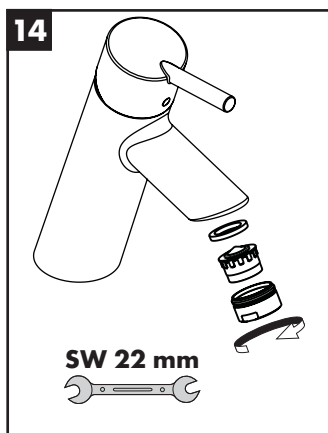
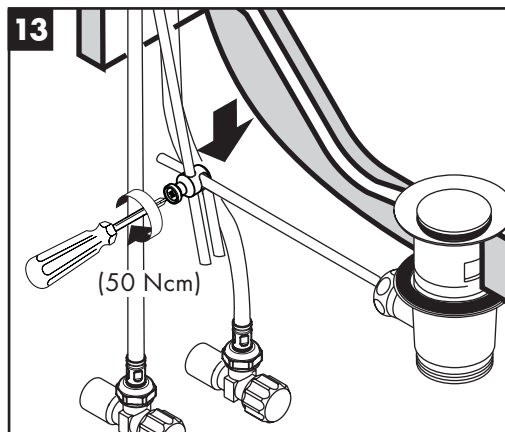
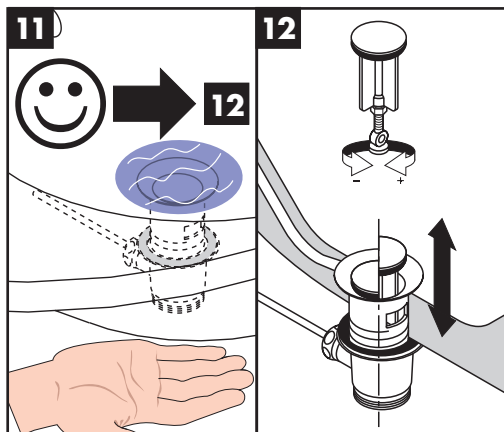
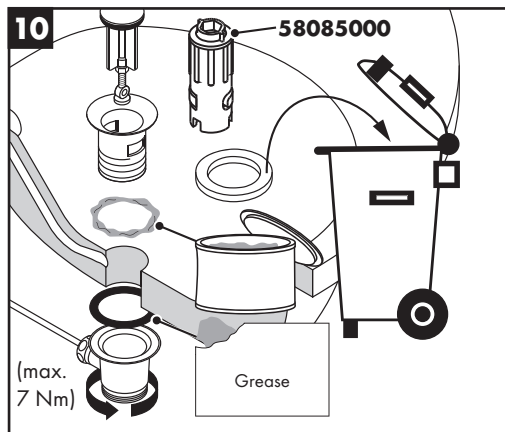
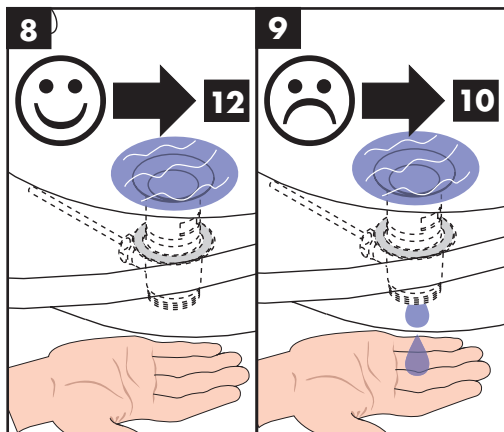
Operation (see page 38)

- Hansgrohe recommends not to use as drinking water the first half liter of water drawn in the morning or after a prolonged period of non-use.
- After periods of prolonged non-use, but at least every third day, the fittings must be opened with the handle in hot and cold position to prevent stagnation in the connecting lines. Let the water run until the water temperature is constant.



Test certificate (see page 48)







60 °C



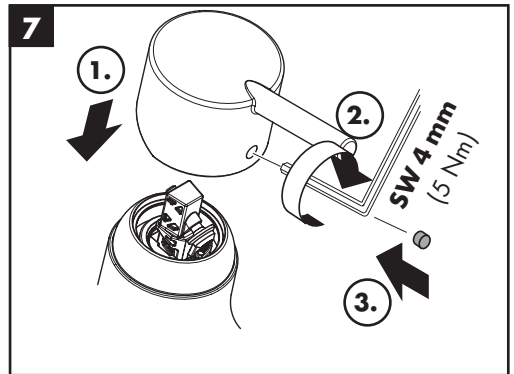
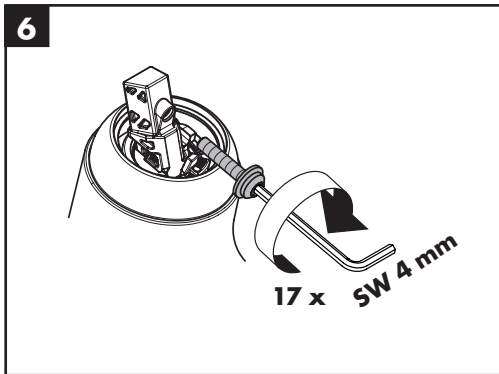
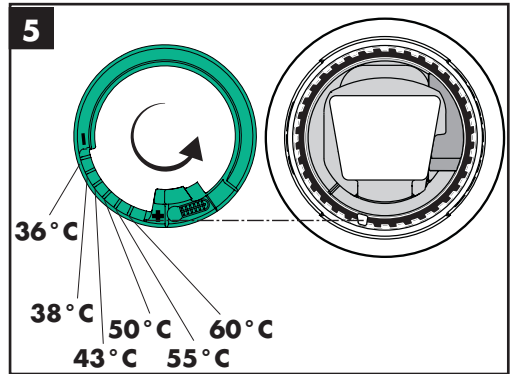
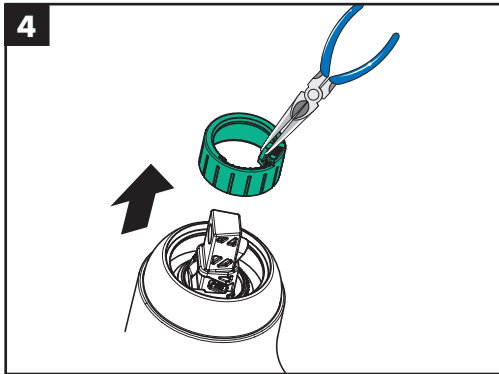
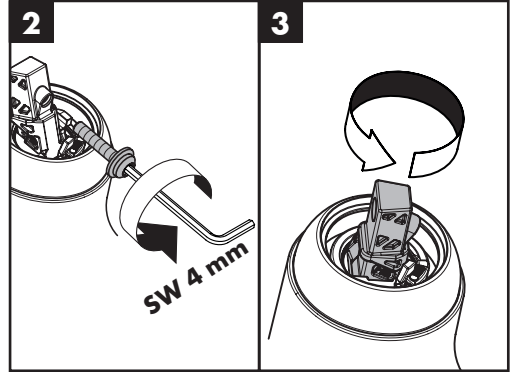
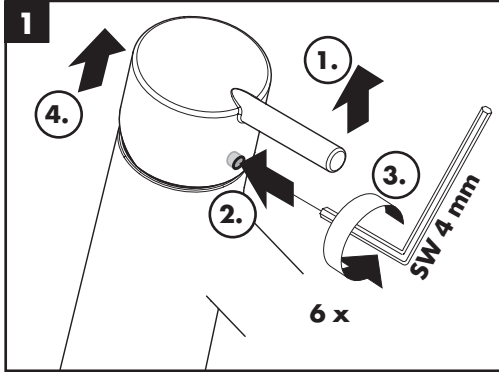
10 °C



0,3 MPa

0,3 MPa

0,3 لاکسباجیم





Focus 70

31604000 / 31730000
31732000 / 31733000
31975000

Focus 100

31517000
31607000
31979000

Focus

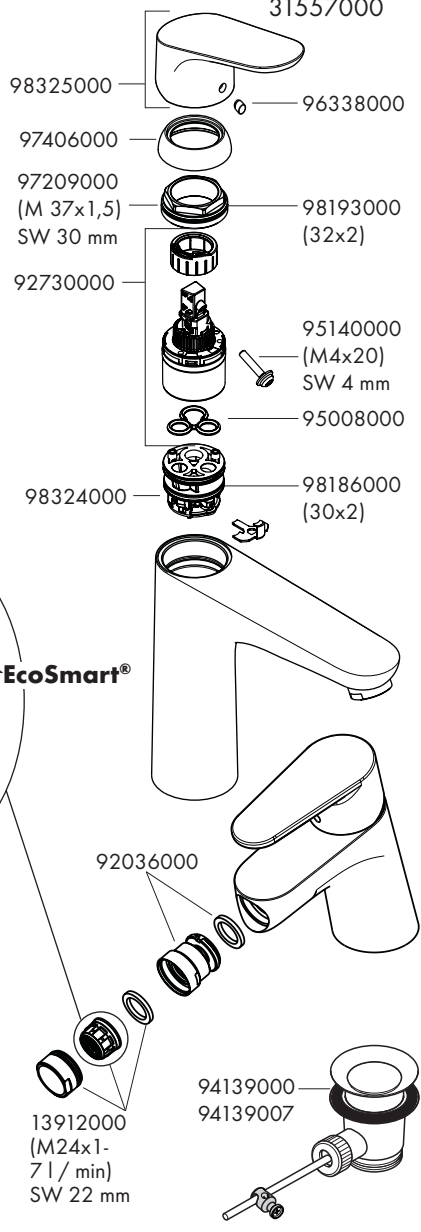
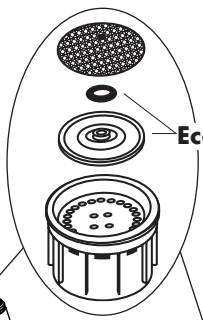
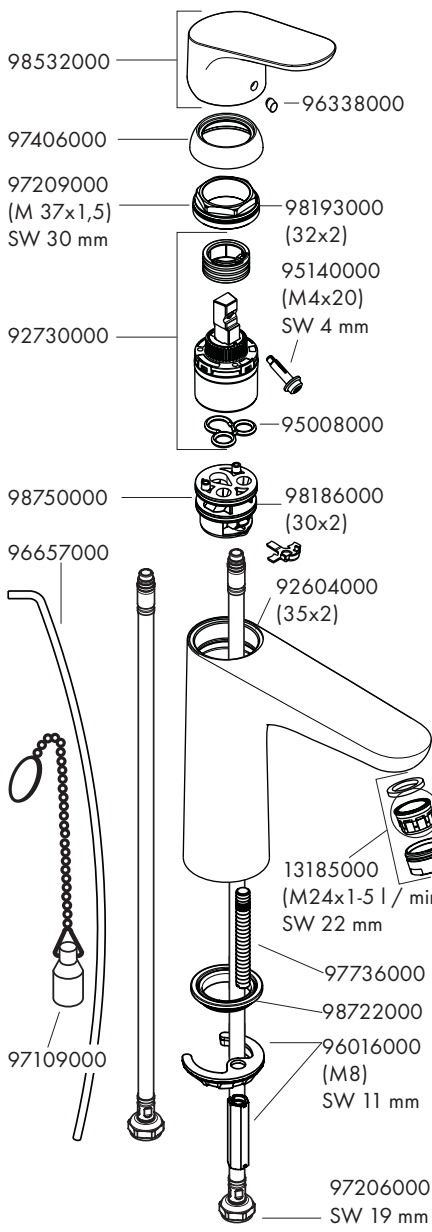
31920000
31922000

Focus 70 CoolStart

31539000
31545000

Focus 100 CoolStart

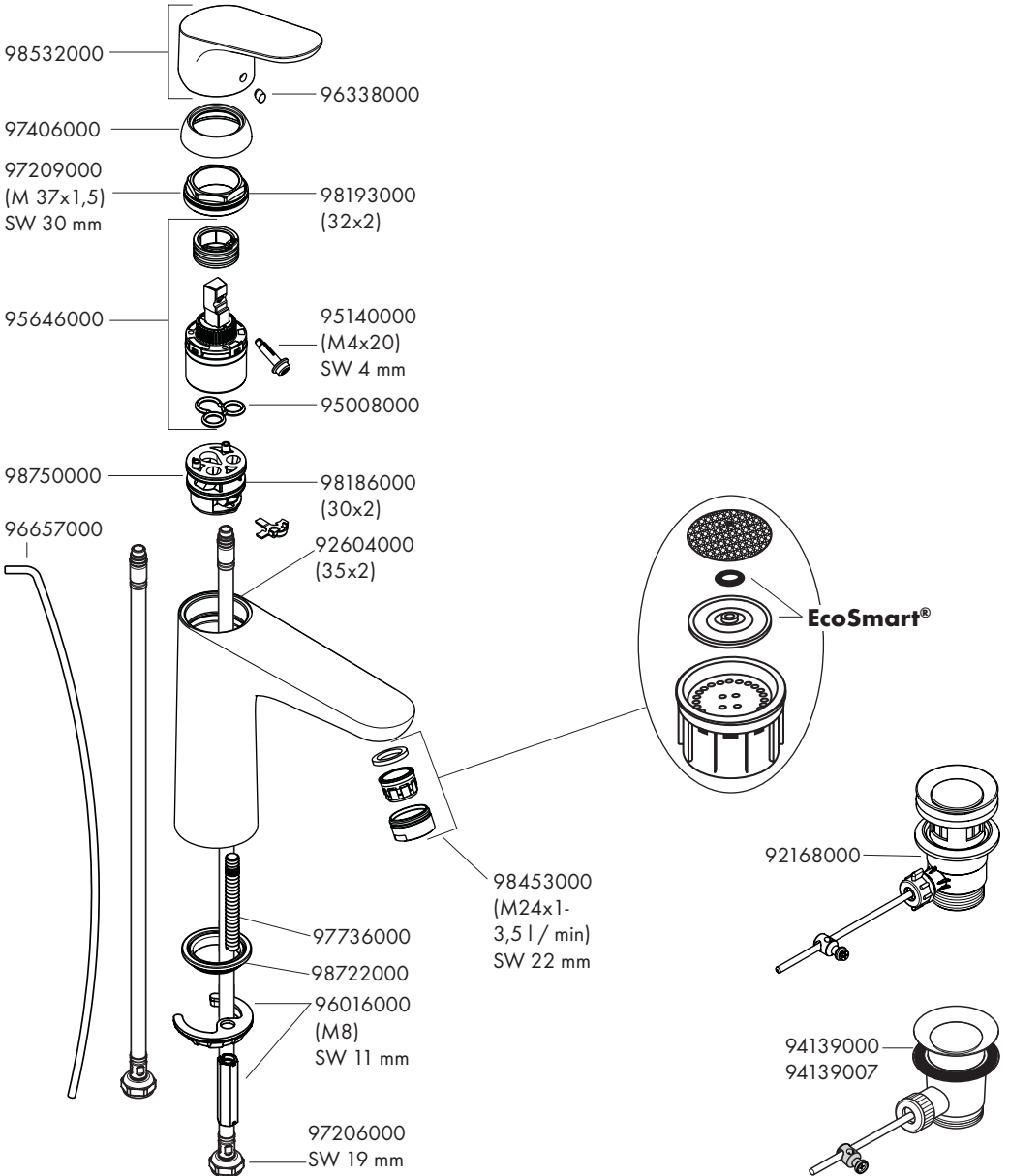
31509000
31621000
31557000





Focus 70
31951000
31952000

Focus 100
31513000
31603000





Focus Care 70

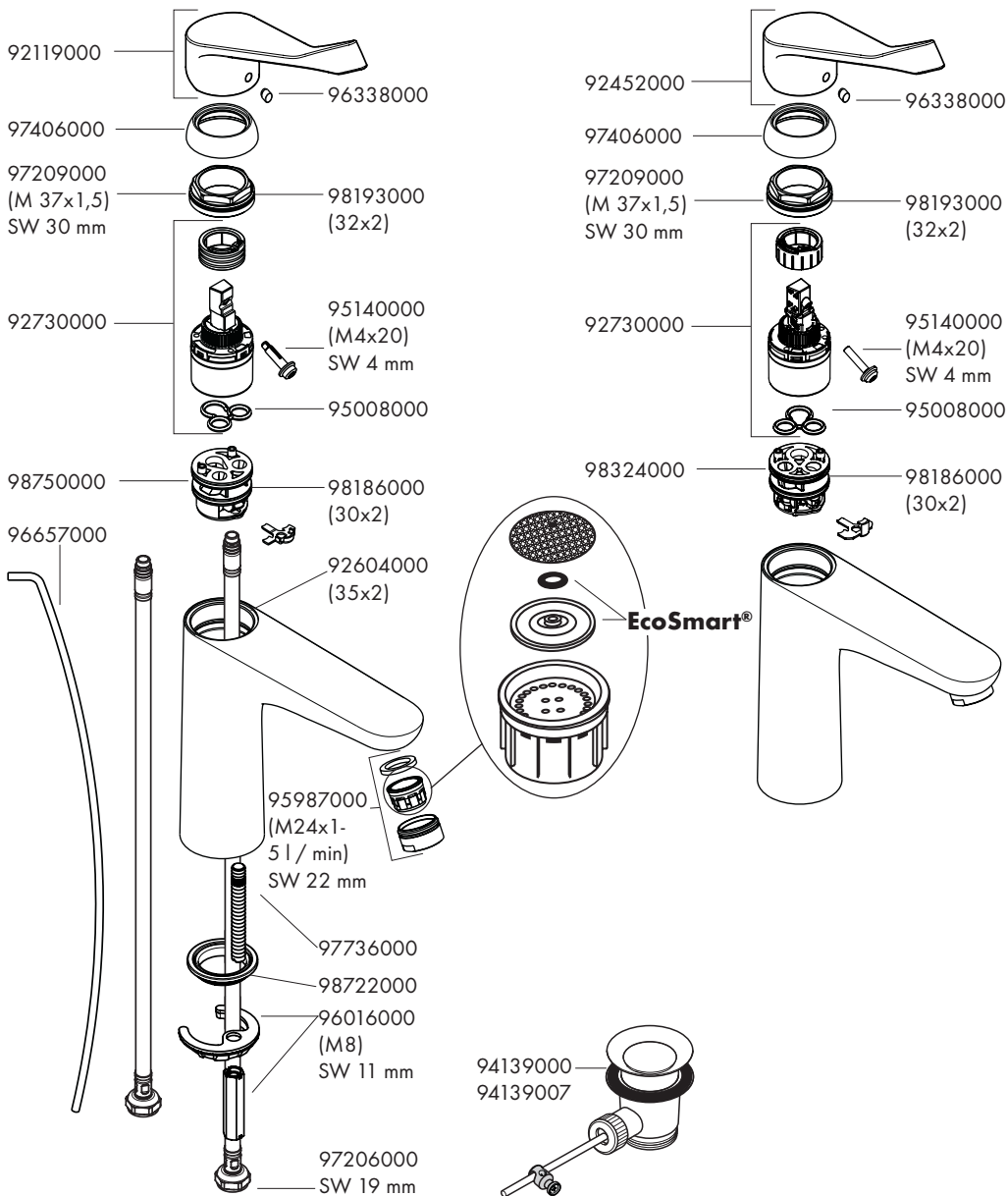
31910000
31914000
31908000

Focus Care 100

31911000
31915000

Focus Care 100 CoolStart

31917000





Focus 70

31604000 / 31730000 / 31732000 / 31733000 / 31951000 / 31952000

Focus 100

31513000 / 31517000 / 31603000 / 31607000 / 31979000 / 31975000

Focus Care 70

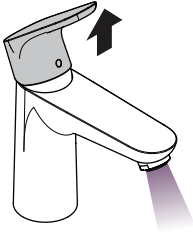
31910000 / 31914000 / 31908000

Focus Care 100

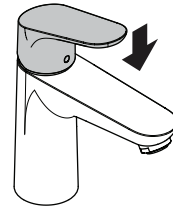
31911000 / 31915000

Focus

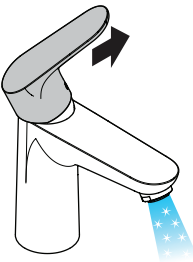
31920000 / 31922000



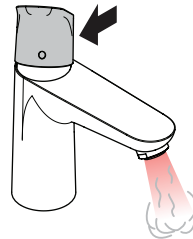
open



close



cold



hot



Focus 70 CoolStart

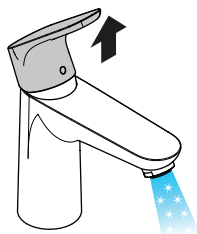
31539000 / 31545000

Focus 100 CoolStart

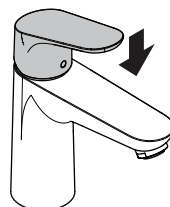
31509000 / 31621000 / 31557000

Focus Care 100 CoolStart

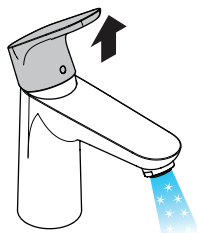
31917000



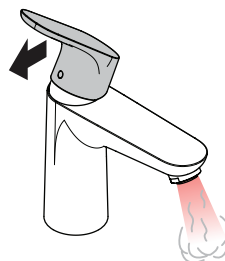
open



close



cold

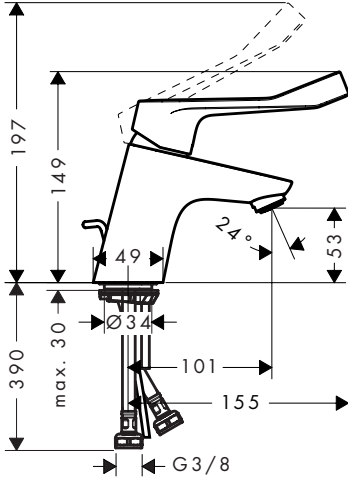


hot



Focus Care 70

31910000 / 31914000 / 31908000

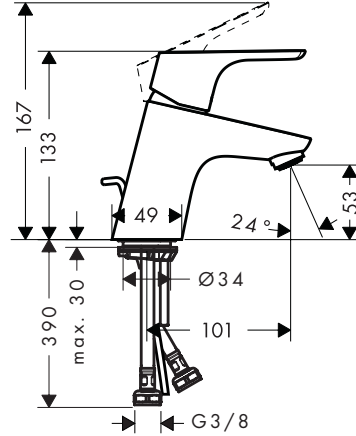


Focus 70

31604000 / 31730000 / 31733000 /
31951000 / 31952000 / 31975000

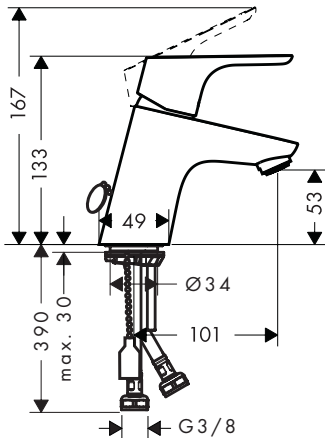
Focus 70 CoolStart

31539000 / 31545000



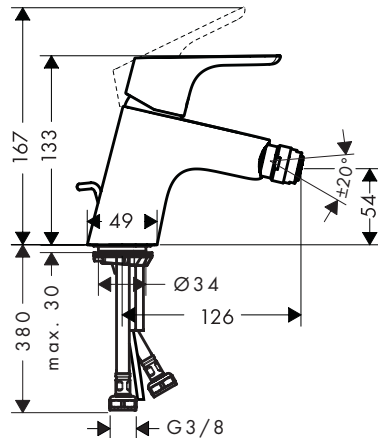
Focus 70

31732000



Focus

31920000 / 31922000



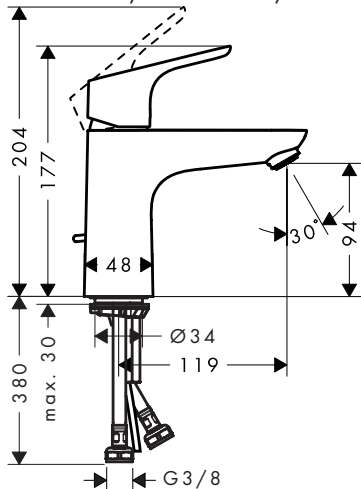


Focus 100

31513000 / 31517000 / 31603000 /
31607000 / 31979000

Focus 100 CoolStart

31509000 / 31621000 / 31557000

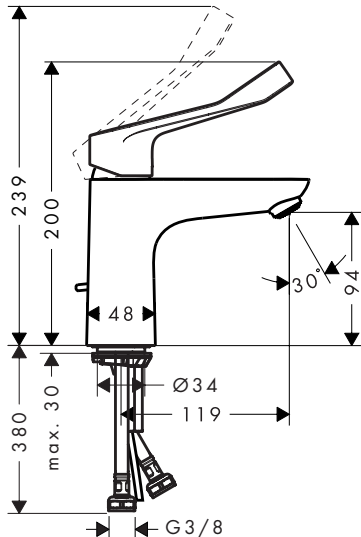


Focus Care 100

31911000 / 31915000

Focus Care 100 CoolStart

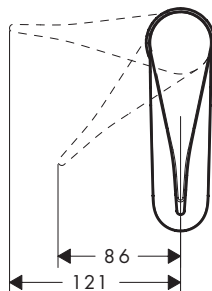
31917000



Focus Care 100

CoolStart

31917000

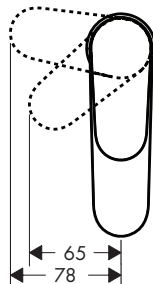


Focus 70 CoolStart

31539000 / 31545000

Focus 100 CoolStart

31509000 / 31621000
31557000

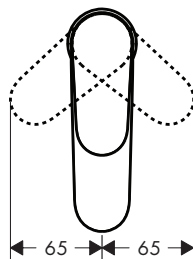


Focus 70

31604000 / 31730000 /
31732000 / 31733000 /
31951000 / 31952000 /
31975000

Focus 100

31513000 / 31517000 /
31603000 / 31607000 /
31979000



Focus

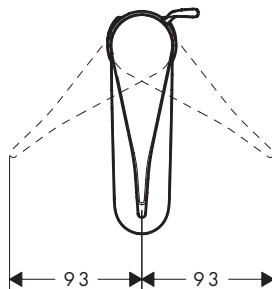
31920000 / 31922000

Focus Care 70

31910000 / 31914000 /
31908000

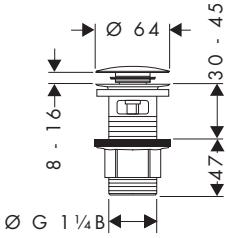
Focus Care 100

31911000 / 31915000

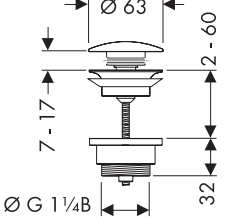




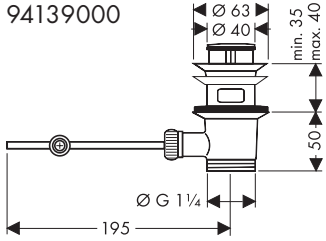
50105000



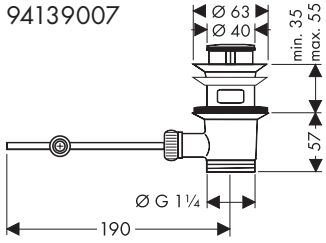
50100000



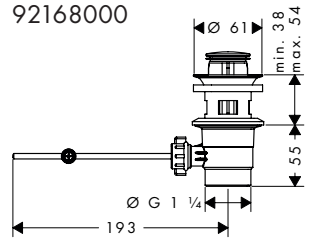
94139000



94139007



92168000





Focus 70

31604000 / 31730000 / 31732000 /
31733000 / 31975000

Focus 70 CoolStart

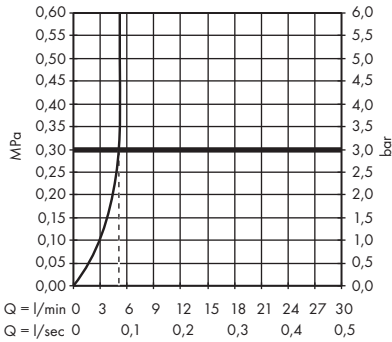
31539000 / 31545000

Focus 100

31517000 / 31607000 / 31979000

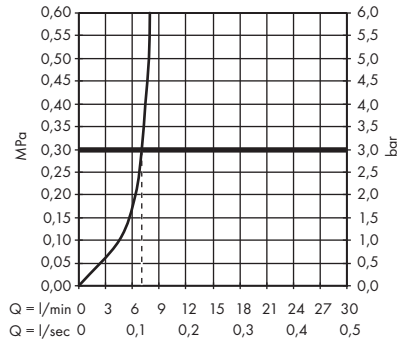
Focus 100 CoolStart

31509000 / 31621000 / 31557000



Focus

31920000 / 31922000

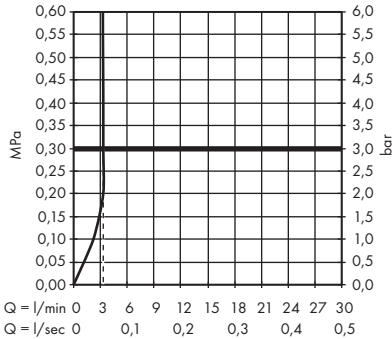


Focus 70

31951000 / 31952000

Focus 100

31513000 / 31603000



Focus Care 70

31910000 / 31914000 / 31908000

Focus Care 100

31911000 / 31915000

Focus Care 100 CoolStart

31917000

