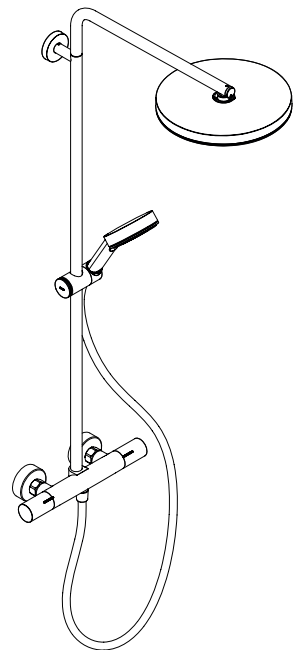


**Pulsify S Puro Showerpipe 260 1jet**  
24222XX0

**Pulsify S Puro Showerpipe 260 1jet**  
**EcoSmart**  
24223XX0



**Pulsify S Puro Showerpipe 260 1jet**  
24236XX0

**Pulsify S Puro Showerpipe 260 1jet**  
**EcoSmart**  
24237XX0



## Safety Notes

- ⚠️ Gloves should be worn during installation to prevent crushing and cutting injuries.
- ⚠️ The product may only be used for bathing, hygienic and body cleaning purposes.
- ⚠️ The arm of the shower head is intended only to hold the shower head. Do not load it down with other objects!
- ⚠️ Children as well as adults with physical, mental and/or sensoric impairments must not use this product without proper supervision. Persons under the influence of alcohol or drugs are prohibited from using this product.
- ⚠️ Do not allow the streams of the shower touch sensitive body parts (such as your eyes). An adequate distance must be kept between the shower and you.
- ⚠️ The product may not be used as a holding handle. A separate handle must be installed.
- ⚠️ The hot and cold supplies must be of equal pressures.


## Installation Instructions

- Prior to installation, inspect the product for transport damages. After it has been installed, no transport or surface damage will be honoured.
- The pipes and the fixture must be installed, flushed and tested as per the applicable standards.
- The plumbing codes applicable in the respective countries must be observed.
- The installation dimensions stated in these installation instructions are ideal for people of approximately 1800 mm in body height. The dimensions can be altered if required. In this case, pay attention to the fact that a change of installation height will also change the minimum height, and that the altered mounting dimensions must be taken into consideration.
- During installation of the product by qualified trained personnel, make sure that the entire fastening surface is even and smooth (no protruding seams or tile offset), that the finish of the wall is suitable to apply the product and has no weak points.
- The mesh washer must be insert to protect the shower against incoming dirt by pipework. Incoming dirt leads to defects or/and can damage parts of the shower; such caused faults voids all liability and guarantee claims.
- The product is not designed to be used with steam baths!
- If required, the bottom part of the pipe between the fixture and the shower head can be shortened with a fine-toothed saw.
- If the continuous water heater causes any problems, or you have different water pressures you must install a water limiter to the cold supply, (ordered separately, article number 97510000).

## Technical Data

Operating pressure:	max. 1 MPa
Recommended operating pressure:	0,15 - 0,5 MPa
Test pressure:	1,6 MPa (1 MPa = 10 bar = 147 PSI)
Hot water temperature:	max. 60 °C
Centre distance:	150±12 mm
Connections G 1/2:	cold right - hot left
Thermal disinfection:	70 °C / 4 min
<ul style="list-style-type: none"> <li>• Safety against backflow</li> <li>• The product is exclusively designed for drinking water!</li> </ul>	

## Symbol description

 Do not use silicone containing acetic acid!

 max. ≈42 °C **Safety Function** (see page 34)

The desired maximum temperature for example max. 42 °C can be pre-set thanks to the safety function.

 **Adjustment** (see page 34)

After the installation, the output temperature of the thermostat must be checked. A correction is necessary if the temperature measured at the output differs from the temperature set on the thermostat.

 **Maintenance** (see page 35)


- The check valves must be checked regularly according to EN 806-5 in accordance with national or regional regulations (at least once a year).
- To guarantee the smooth running of the thermostat, it is necessary from time to time to turn the thermostat from total hot to total cold.

 **Dimensions** (see page 40)

 **Flow diagram** (see page 40)

 **Spare parts** (see page 36)

**Special accessories** (order as an extra)

 tile-matching-disk Colors #95239XX0 (see page 36)

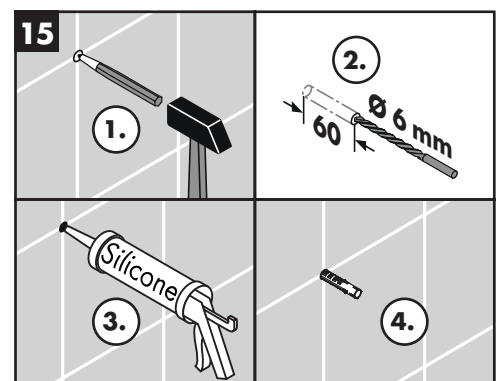
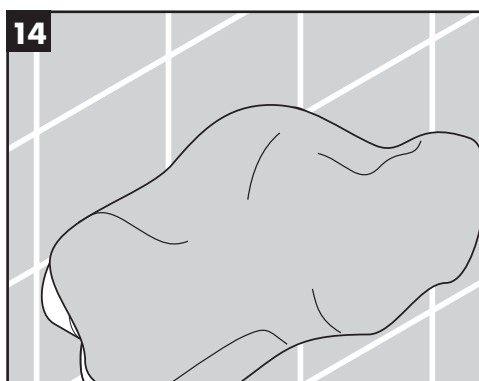
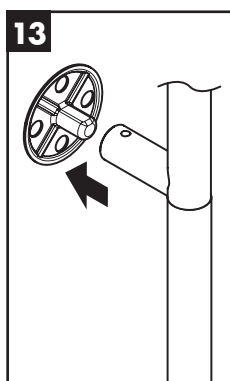
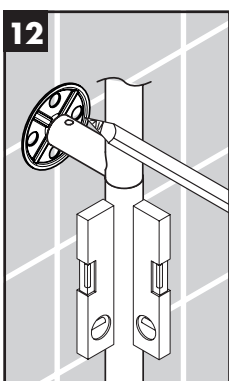
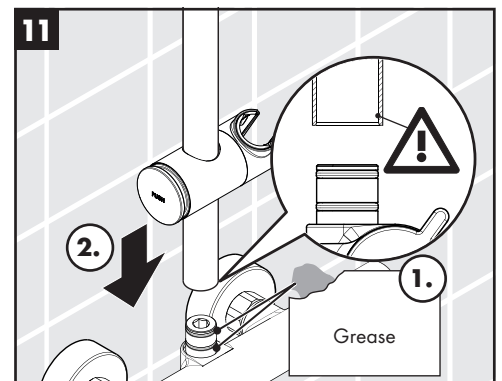
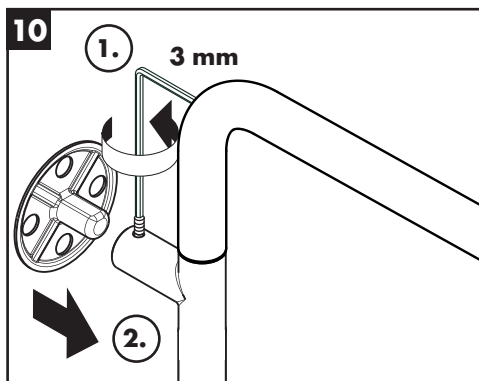
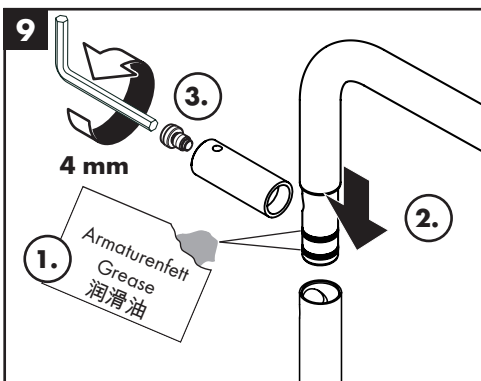
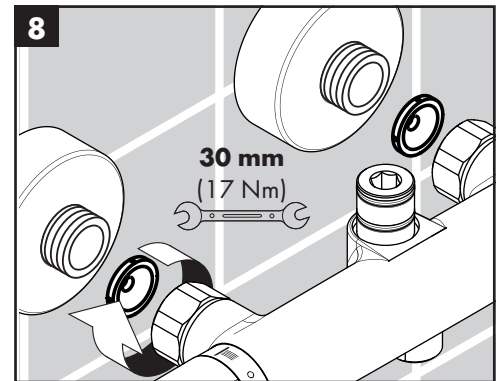
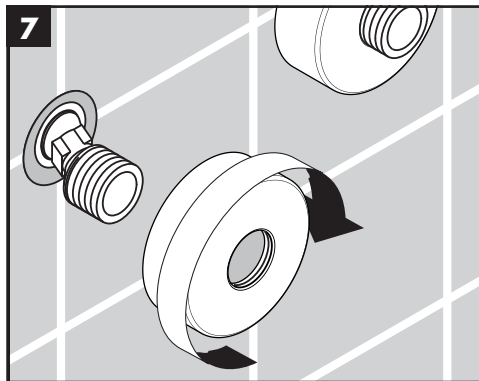
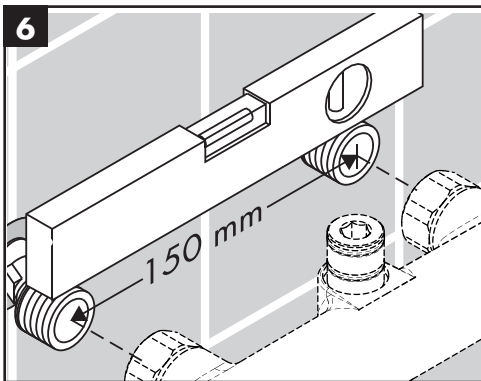
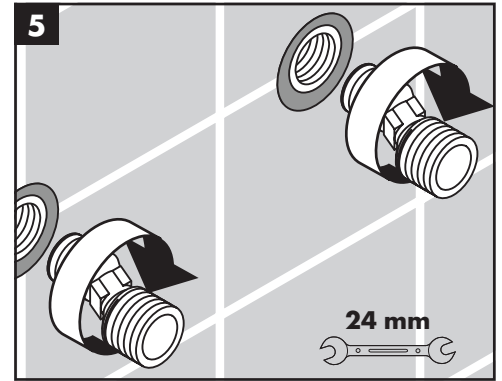
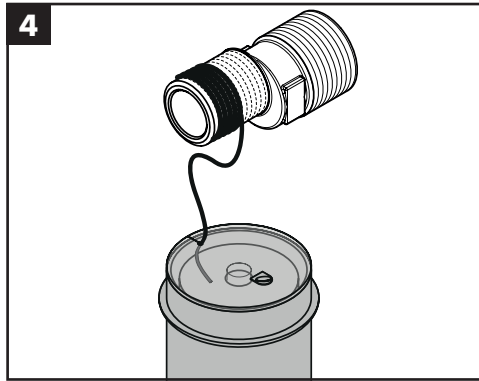
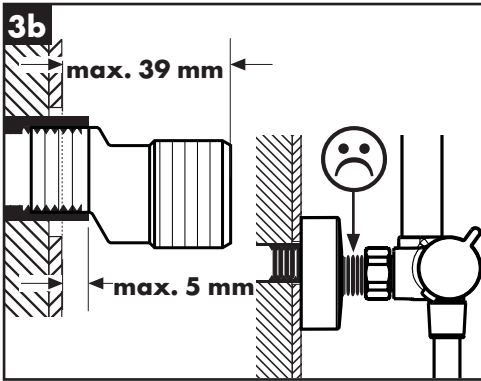
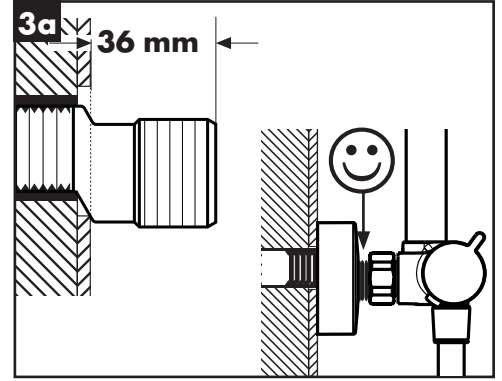
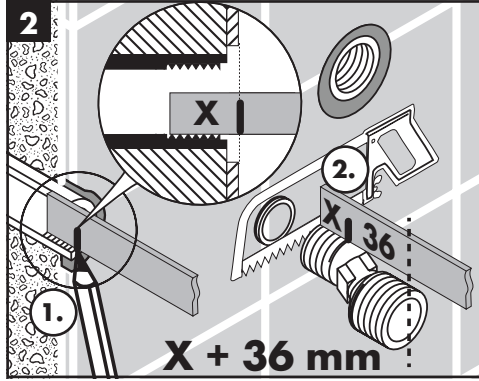
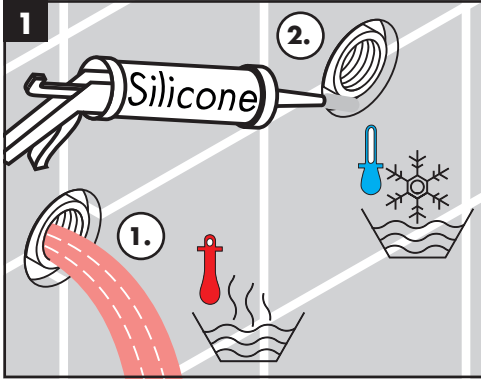
 **Cleaning** (see page 38)

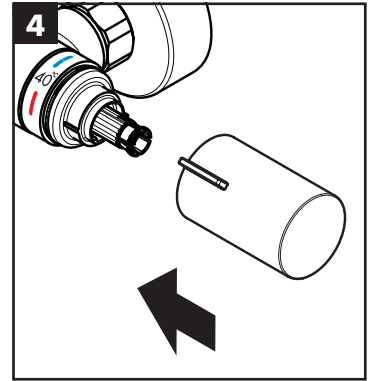
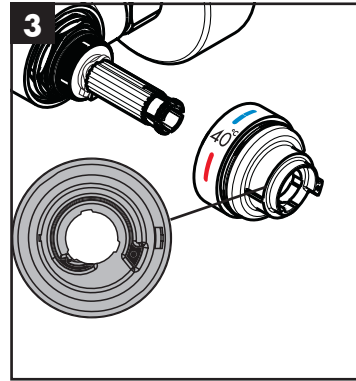
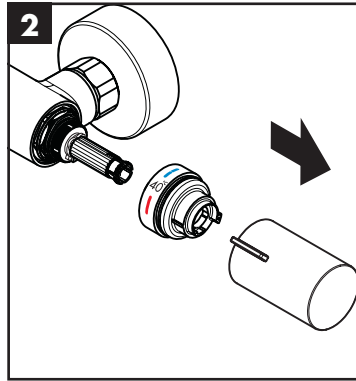
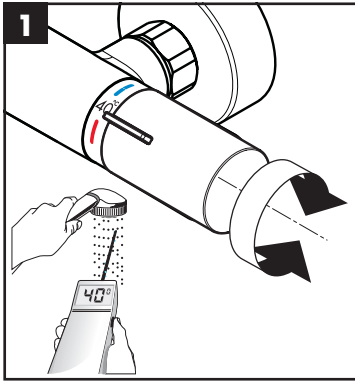
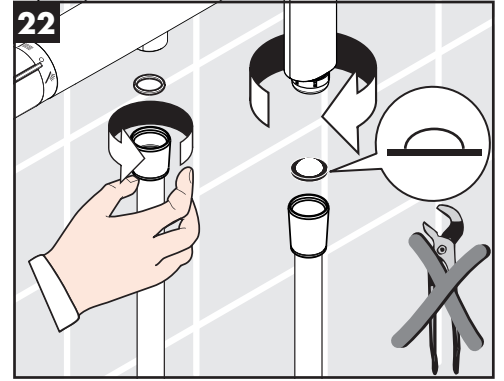
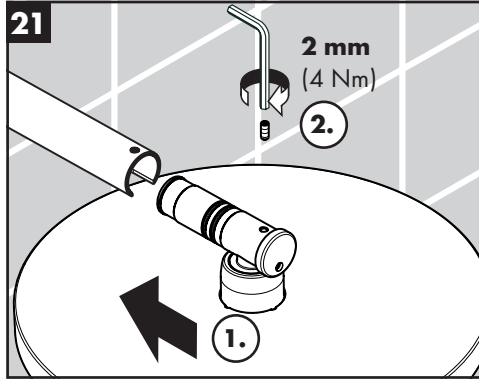
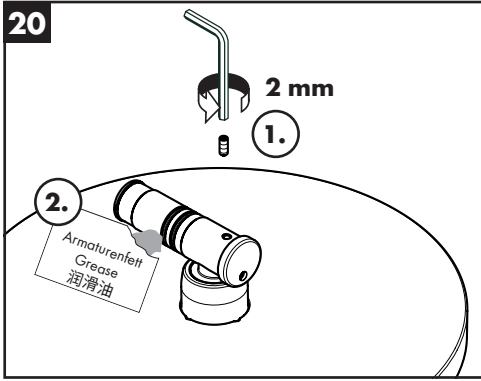
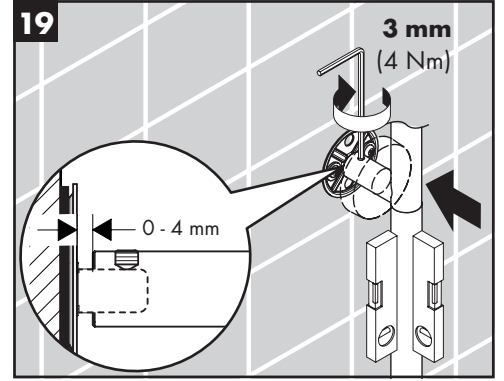
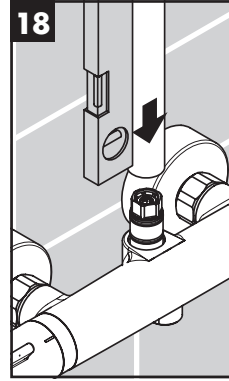
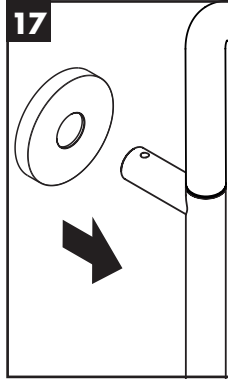
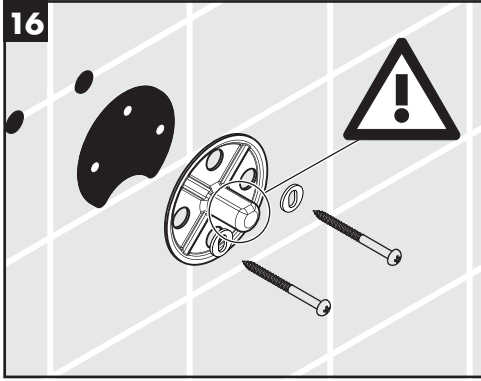
 **Operation** (see page 35)

To empty the overhead shower after use, hold it in a slightly inclined position.

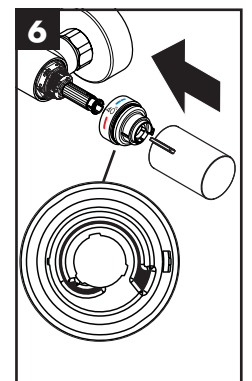
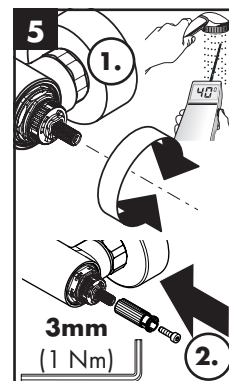
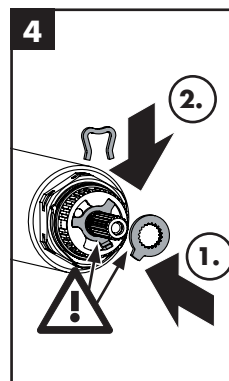
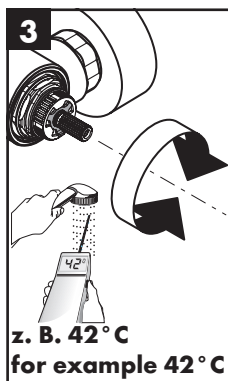
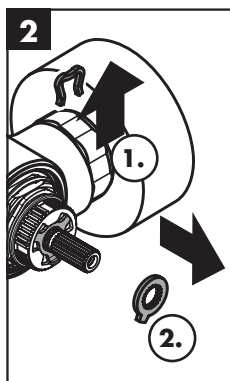
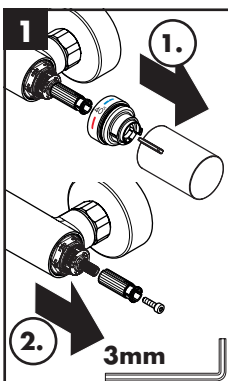
 **Test certificate** (see page 39)

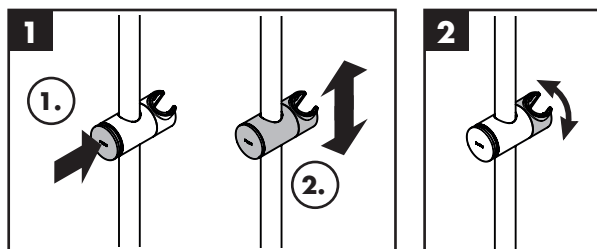
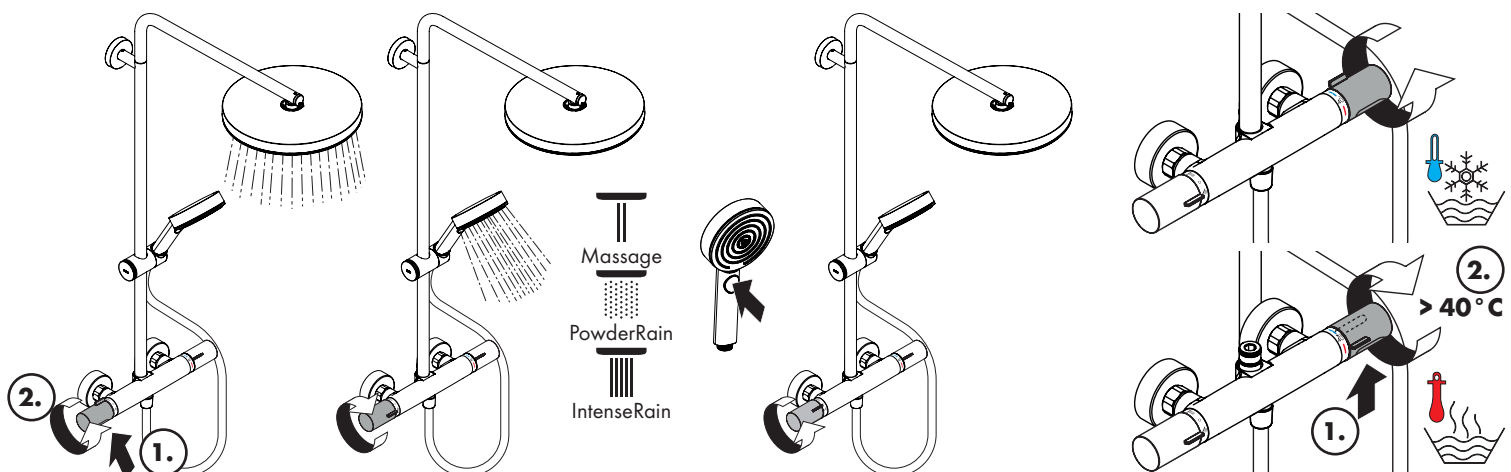
Fault	Cause	Remedy
Insufficient water	- Supply pressure inadequate	- Check water pressure (If a pump has been installed check to see if the pump is working).
	- Regulator filter dirty	- Clean filter in front of the mixer and on the MTC-thermo cartridge
	- Shower filter seal dirty	- Clean filter seal between shower and hose
Crossflow, hot water being forced into cold water pipe, or vice versa, when mixer is closed	- Backflow preventers dirty or leaking	- Clean backflow preventers, exchange if necessary
Spout temperature does not correspond with temperature set	- Thermostat has not been adjusted	- Adjust thermostat
	- Hot water temperature too low	- Increase hot water temperature to 42 °C to 60 °C
Temperature regulation not possible	- thermo cartridge calcified	- Exchange thermo cartridge
Instantaneous heater didn't work with thermostat	- Filters are dirty	- Clean the filter / exchange filter
	- check valve hasn't moved back	- Exchange check valves
	- Flow limiter in handshower isn't removed	- Remove flow limiter
Safety stop button not operating	- Spring defective - Button calcified	- Clean spring and/or button, exchange if necessary
Shower or spout dripping	- Dirt or sedimentation on valve seat, shut-off unit damaged	- Clean or exchange shut-off unit





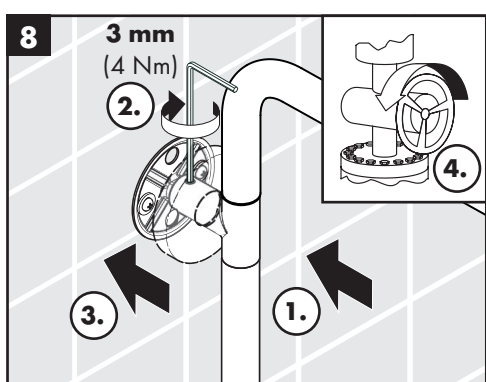
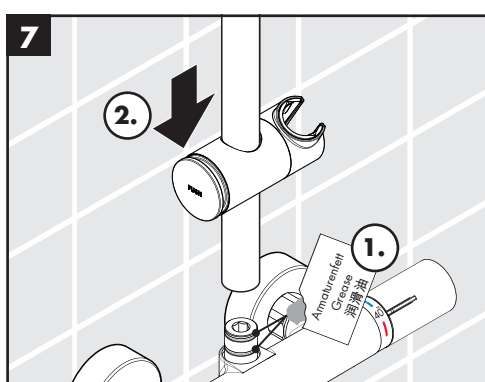
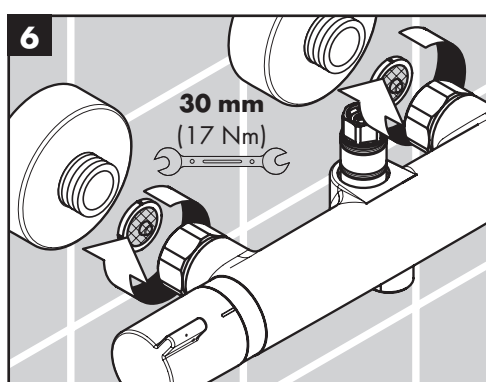
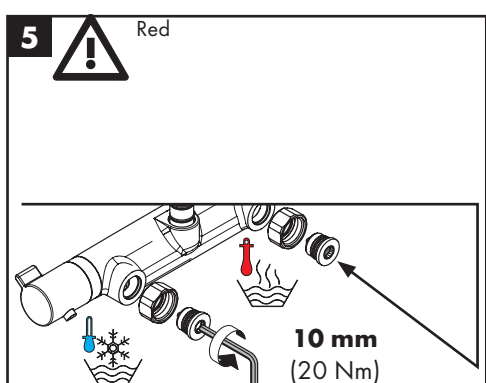
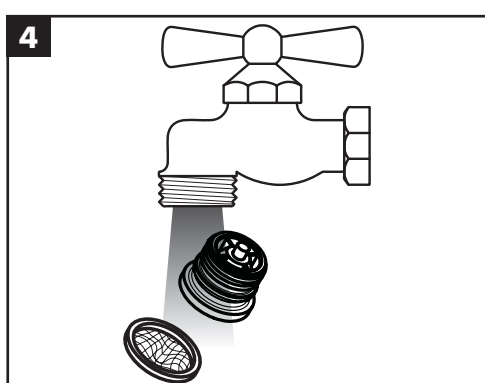
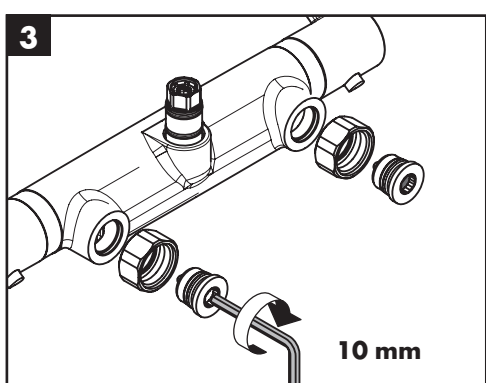
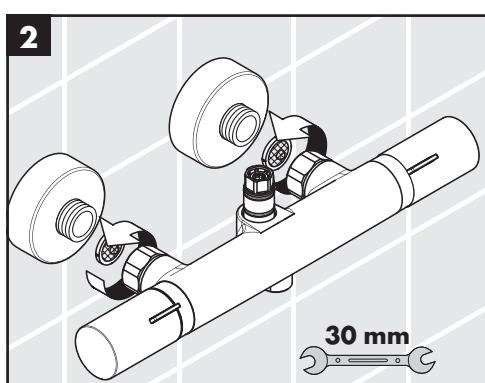
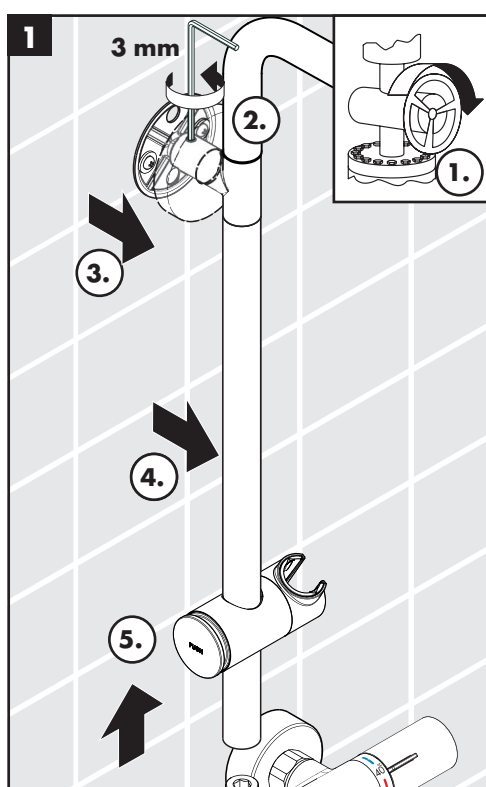
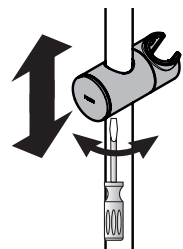
max.  
≈42°C





easier

harder





### Pulsify S Puro Showerpipe 260 1jet

24222XX0

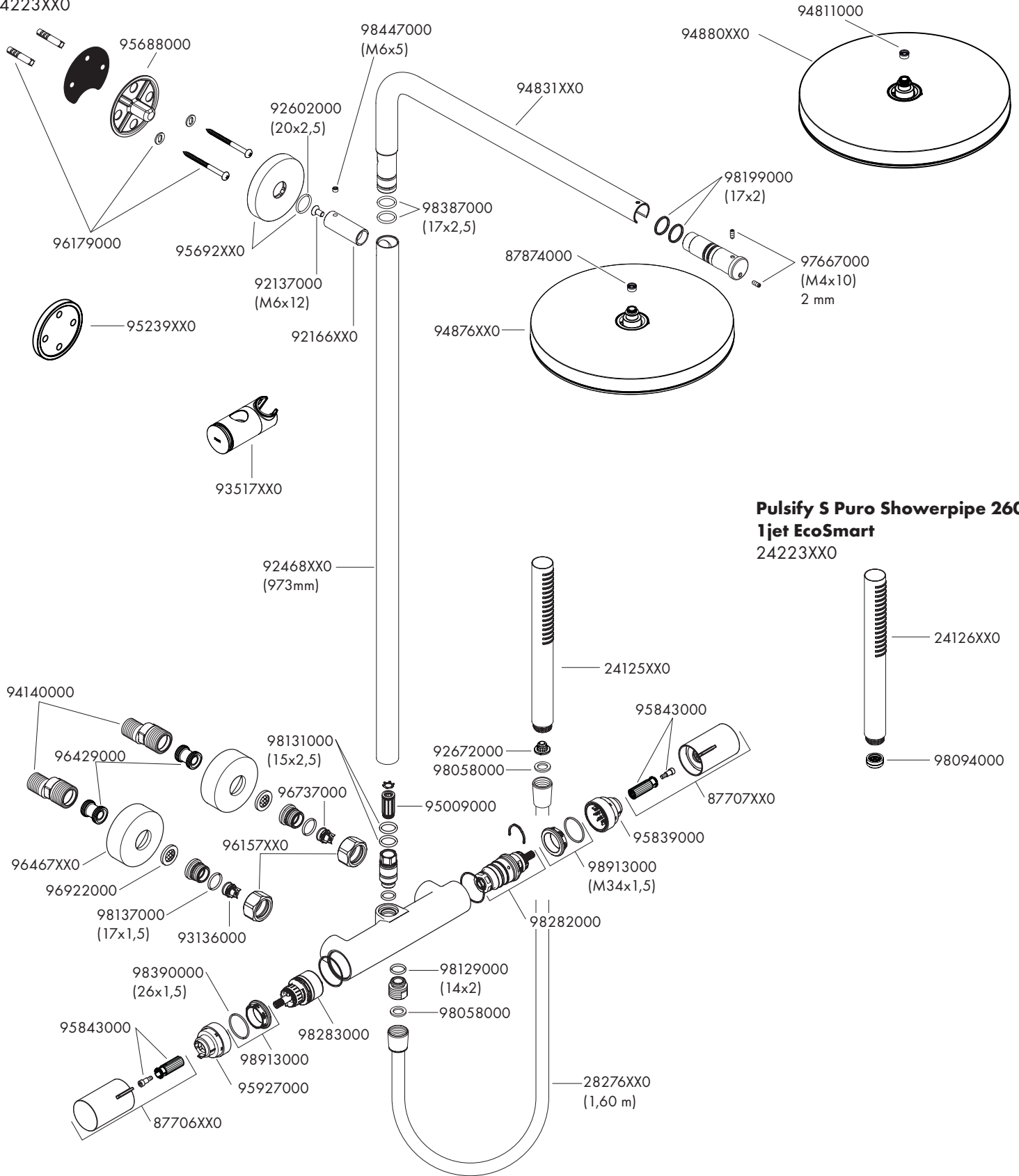
### Pulsify S Puro Showerpipe 260 1jet EcoSmart

24223XX0

### Pulsify S Puro Showerpipe 260

1jet EcoSmart

24223XX0



### Pulsify S Puro Showerpipe 260

1jet EcoSmart

24223XX0

**Pulsify S Puro Showerpipe 260 1jet**

24236XX0

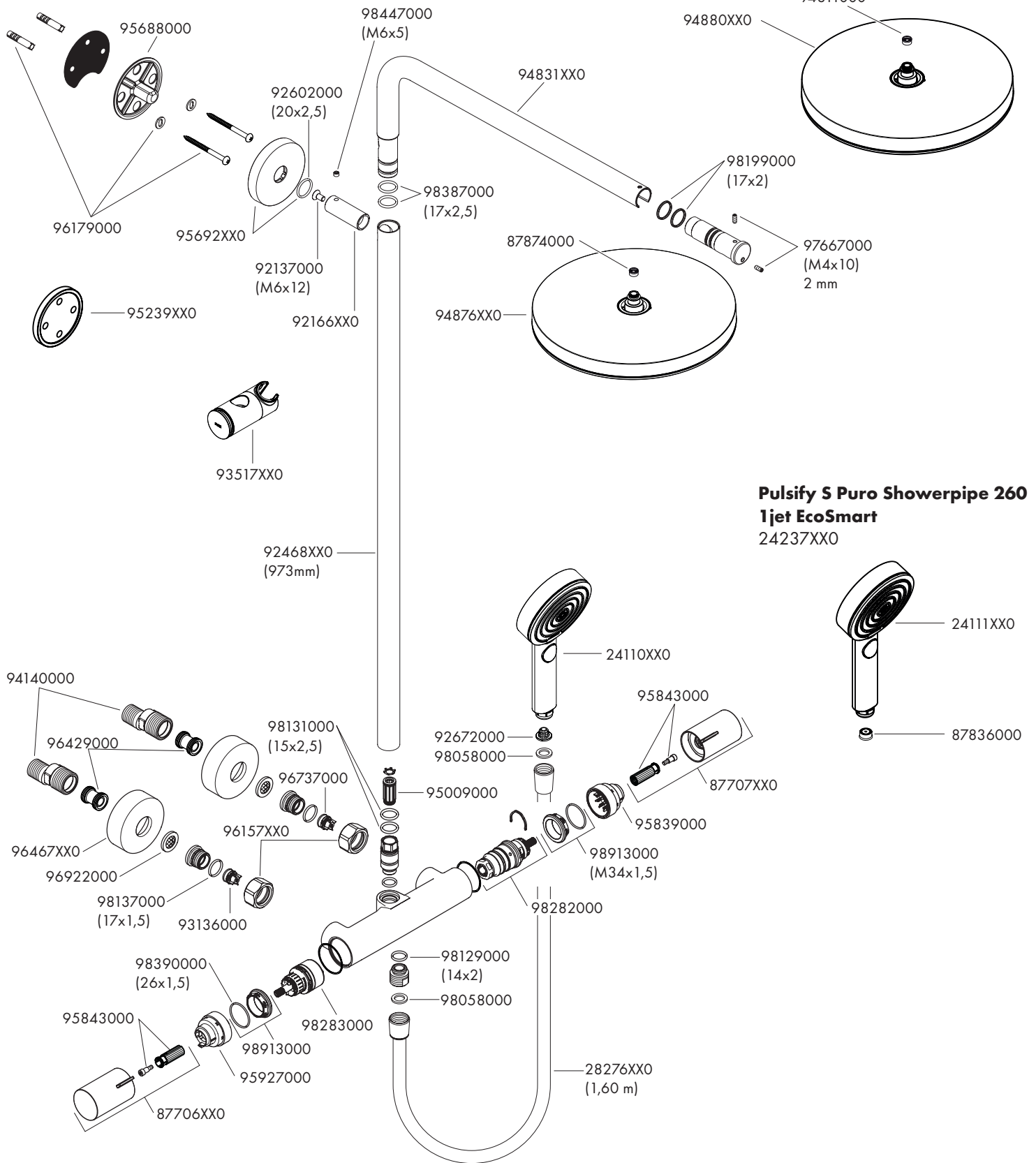
**Pulsify S Puro Showerpipe 260 1jet EcoSmart**

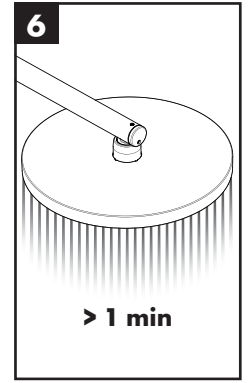
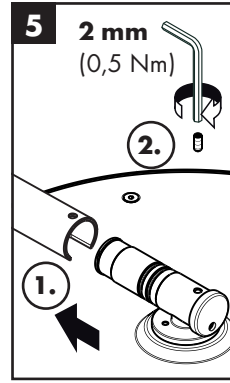
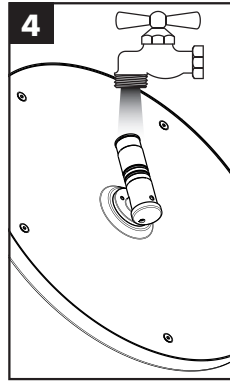
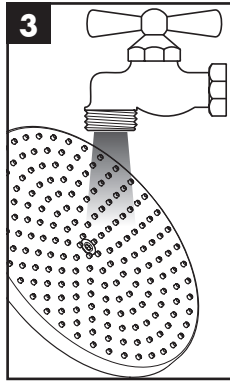
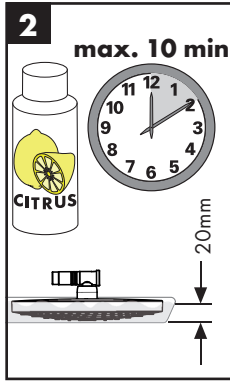
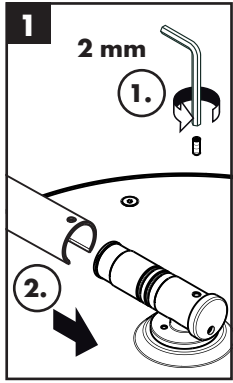
24237XX0

**Pulsify S Puro Showerpipe 260**

**1jet EcoSmart**

24237XX0

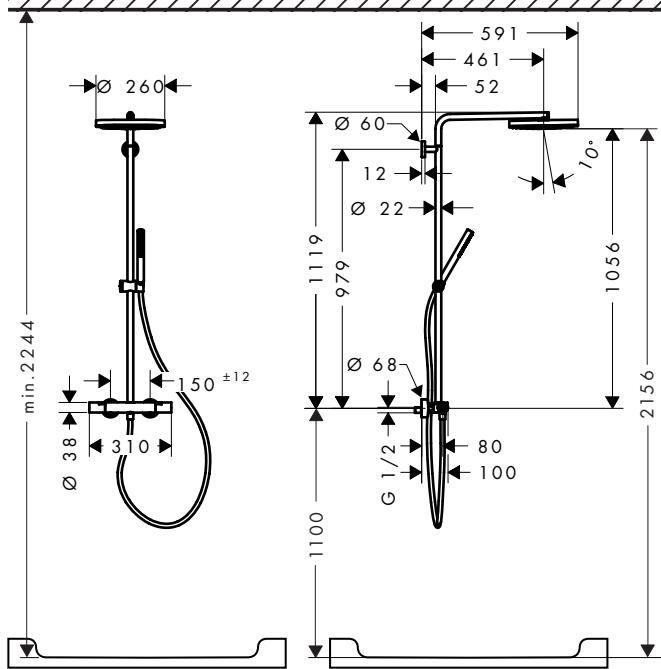




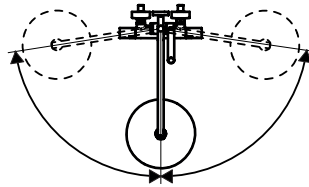
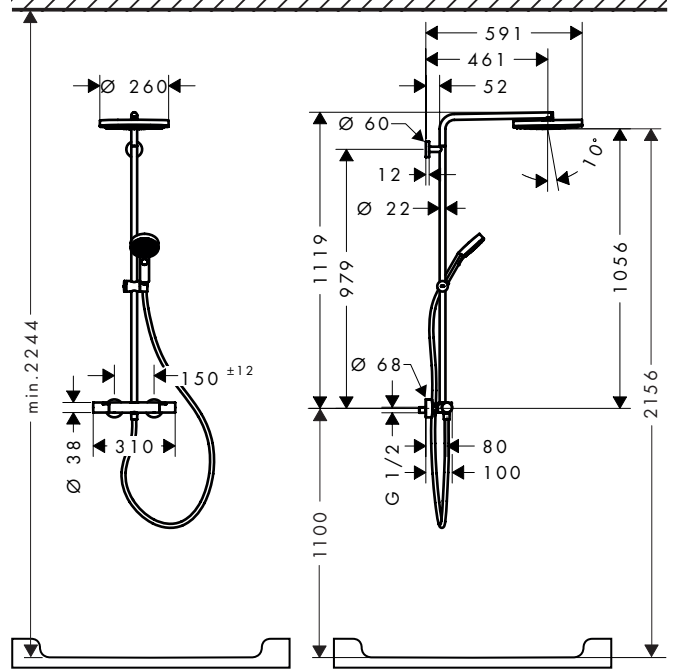
	P-IX	DVGW	STF	CERTIFICATION S KWA	ETA
<b>24222XX0</b>	PA-IX 10260/IBO			1885	
<b>24223XX0</b>	PA-IX 10260/IBO			1885	
<b>24236XX0</b>	PA-IX 10260/IBO			1885	
<b>24237XX0</b>	PA-IX 10260/IBO			1885	



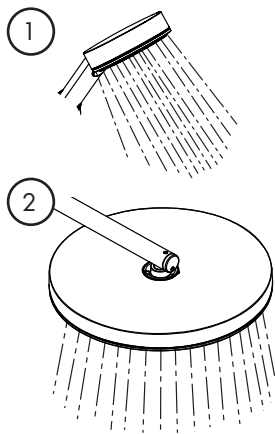
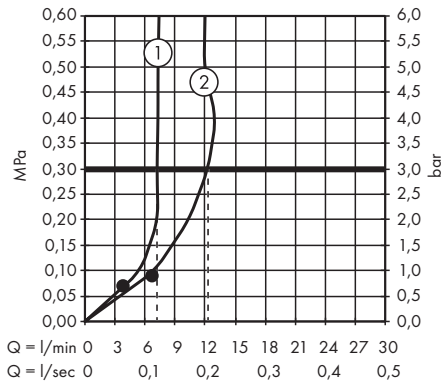
**Pulsify S Puro Showerpipe 260 1jet 24222XX0**  
**Pulsify S Puro Showerpipe 260 1jet EcoSmart 24223XX0**



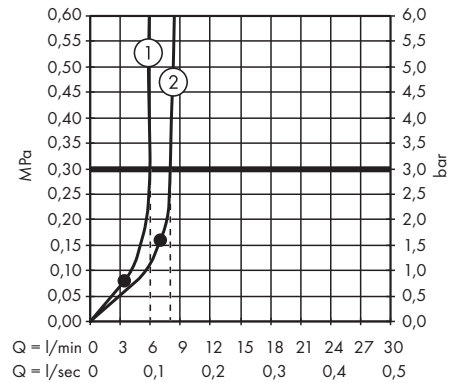
**Pulsify S Puro Showerpipe 260 1jet 24236XX0**  
**Pulsify S Puro Showerpipe 260 1jet EcoSmart 24237XX0**



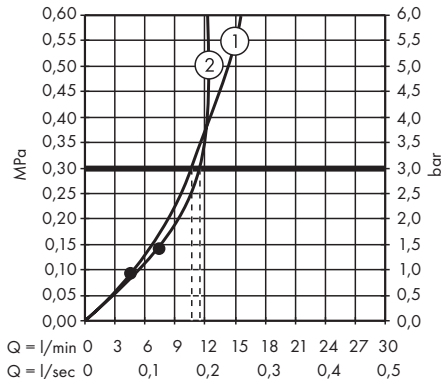
**Pulsify S Puro Showerpipe 260 1jet 24222XX0**



**Pulsify S Puro Showerpipe 260 1jet EcoSmart 24223XX0**



**Pulsify S Puro Showerpipe 260 1jet 24236XX0**



**Pulsify S Puro Showerpipe 260 1jet EcoSmart 24237XX0**

