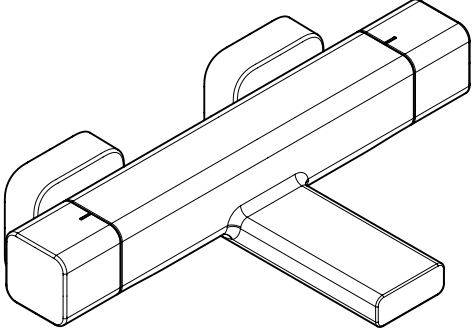


Ecostat E
15773000 / 15773007



Ecostat E
15774000 / 15774007



Safety Notes

- △ Gloves should be worn during installation to prevent crushing and cutting injuries.
- △ The product may only be used for bathing, hygienic and body cleaning purposes.
- △ The hot and cold supplies must be of equal pressures.

Installation Instructions

- Prior to installation, inspect the product for transport damages. After it has been installed, no transport or surface damage will be honoured.
- The pipes and the fixture must be installed, flushed and tested as per the applicable standards.
- The plumbing codes applicable in the respective countries must be observed.
- The product is not designed to be used with steam baths!

Thermostatic mixer in conjunction with combination boilers

- If fitting a hand shower remove the water limiter from the shower.
- If the continuous water heater causes any problems, or you have different water pressures you must install a water limiter to the cold supply, (ordered separately, article number 97510000).
- Thermostatic mixer Shower: When mounting the ECOSTOP limit stop washer (Art. No. #93519000) in connection with flow heaters, turn it axially through 180° before attaching it.

Technical Data

Operating pressure:	max. 1 MPa
Recommended operating pressure:	0,1 - 0,5 MPa
Test pressure:	1,6 MPa
	(1 MPa = 10 bar = 147 PSI)
Hot water temperature:	max. 60 °C
Centre distance:	150±12 mm
Connections G 1/2:	cold right - hot left
Thermal disinfection:	70 °C / 4 min

- Safety against backflow
- The product is exclusively designed for drinking water!

Symbol description

 Do not use silicone containing acetic acid!

 **Dimensions** (see page 32)

 **Flow diagram** (see page 32)

 **Adjustment** (see page 34)

After the installation, the output temperature of the thermostat must be checked. A correction is necessary if the temperature measured at the output differs from the temperature set on the thermostat.

Fault	Cause	Remedy
Insufficient water	- Supply pressure inadequate	- Check water pressure (If a pump has been installed check to see if the pump is working).
	- Regulator filter dirty	- Clean filter in front of the mixer and on the MTC-thermo cartridge
	- Shower filter seal dirty	- Clean filter seal between shower and hose
Crossflow, hot water being forced into cold water pipe, or vice versa, when mixer is closed	- Backflow preventers dirty or leaking	- Clean backflow preventers, exchange if necessary
Spout temperature does not correspond with temperature set	- Thermostat has not been adjusted	- Adjust thermostat
	- Hot water temperature too low	- Increase hot water temperature to 42 °C to 60 °C
Temperature regulation not possible	- thermo cartridge calcified	- Exchange thermo cartridge
Shower or spout dripping	- Dirt or sedimentation on valve seat, shut-off unit damaged	- Clean or exchange shut-off unit
Instantaneous heater didn't work with thermostat	- Filters are dirty	- Clean the filter / exchange filter
	- check valve hasn't moved back	- Exchange check valves
	- Flow limiter in handshower isn't removed	- Remove flow limiter
	- Ecostop limit stop washer not turned axially through 180°	- ECOSTOP-Turn the limit stop washer (#93519000) axially through 180°

max. $\approx 42^{\circ}\text{C}$ Safety Function (see page 34)

The desired maximum temperature for example max. 42° C can be pre-set thanks to the safety function.

Maintenance (see page 35)

- The check valves must be checked regularly according to EN 806-5 in accordance with national or regional regulations (at least once a year).
- To guarantee the smooth running of the thermostat, it is necessary from time to time to turn the thermostat from total hot to total cold.

Cleaning (see page 35)

Spare parts (see page 37)

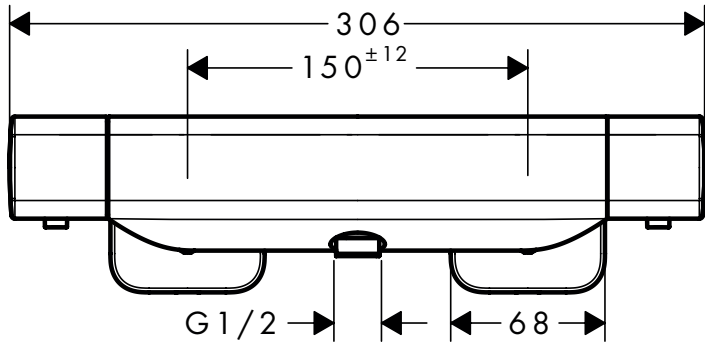
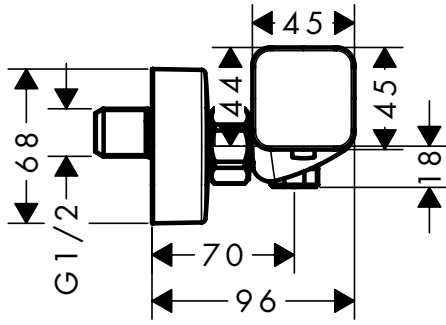
Operation (see page 36)

Test certificate (see page 34)



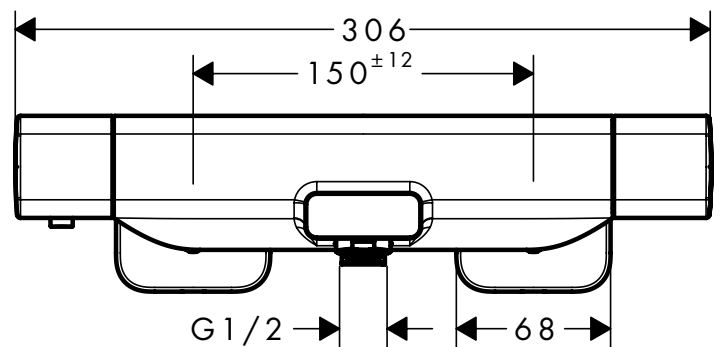
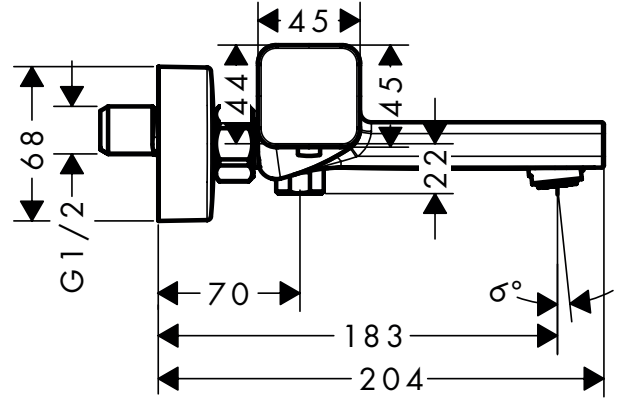
Ecostat E

15773000 / 15773007



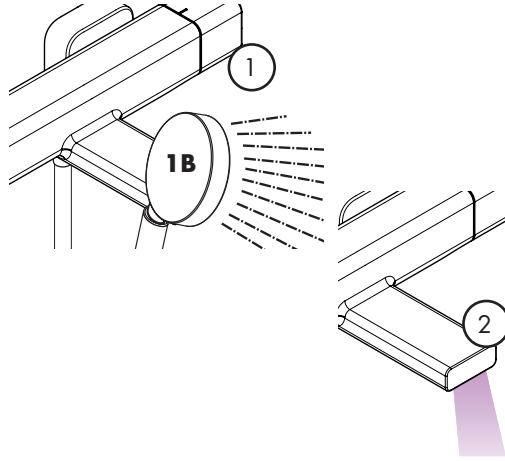
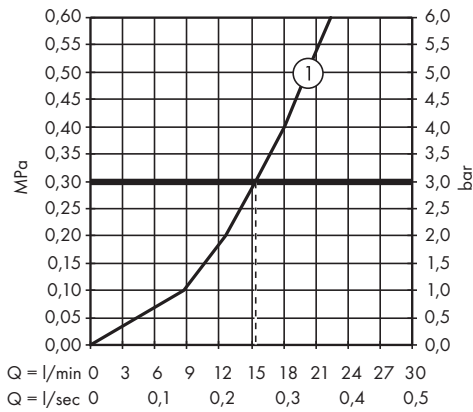
Ecostat E

15774000 / 15774007



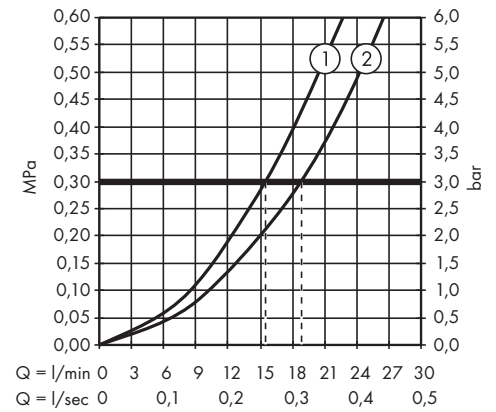
Ecostat E

15773000



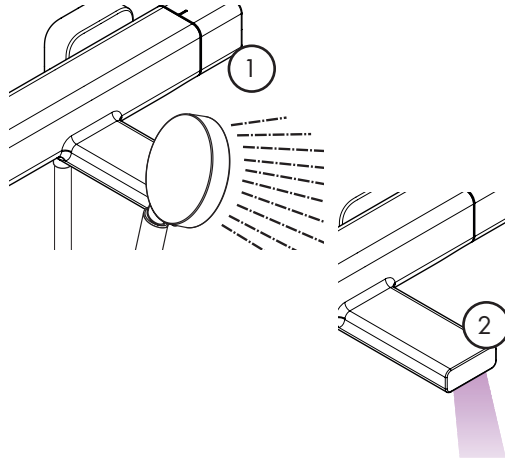
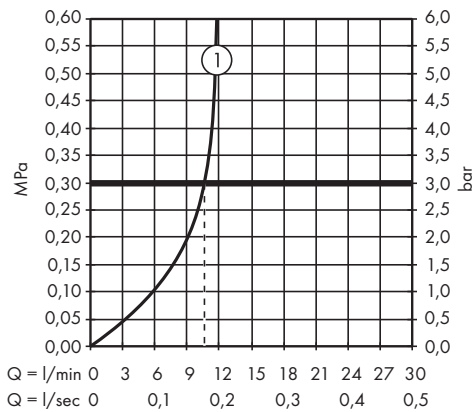
Ecostat E

15774000



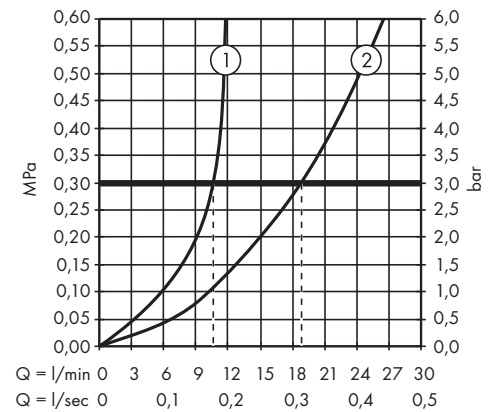
Ecostat E

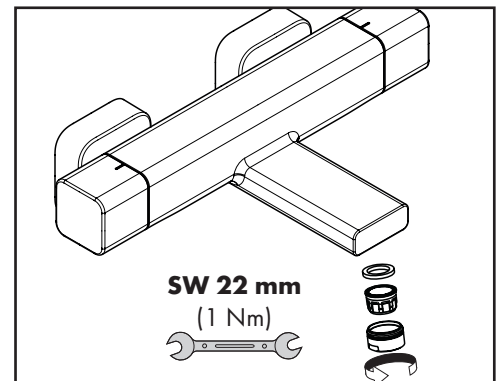
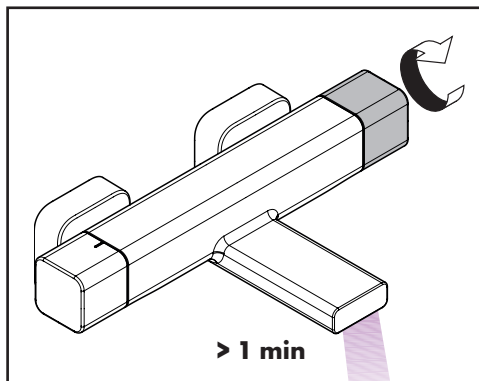
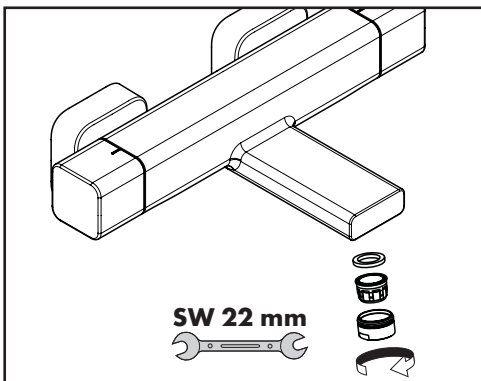
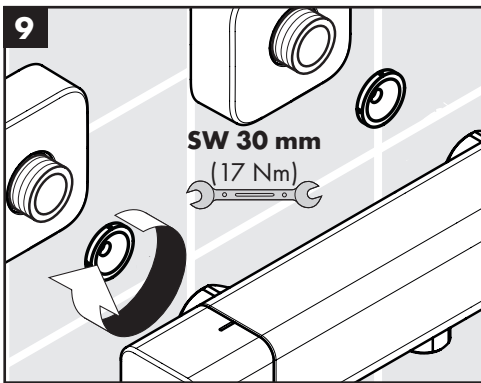
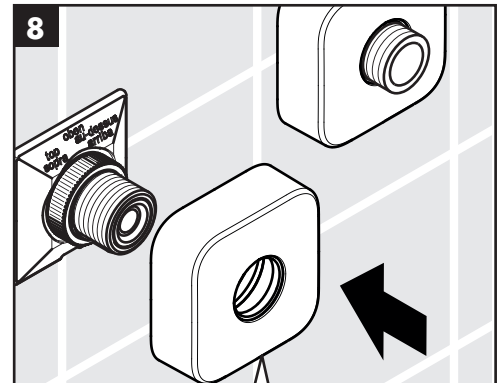
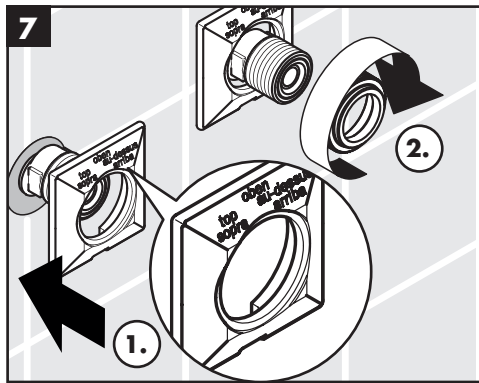
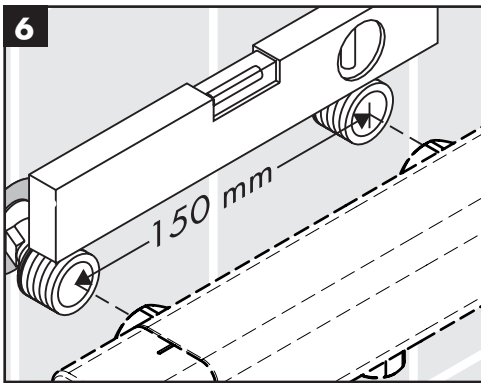
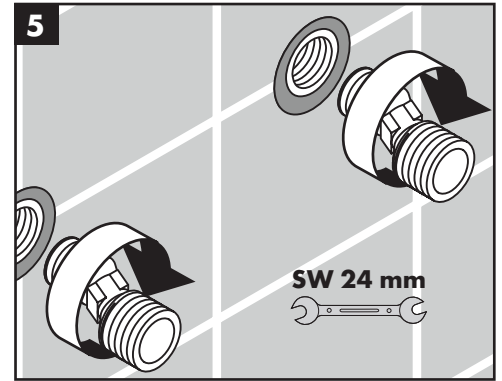
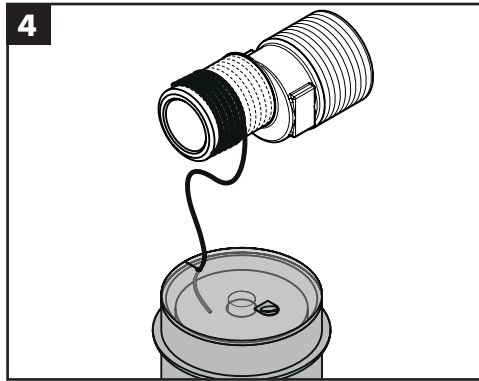
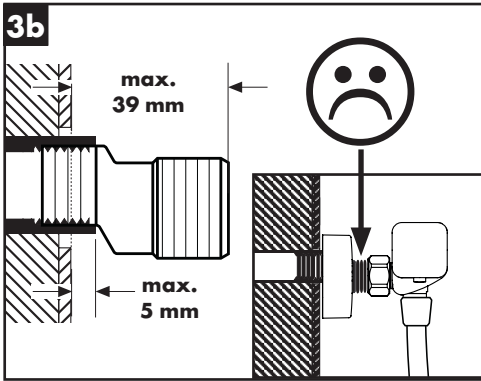
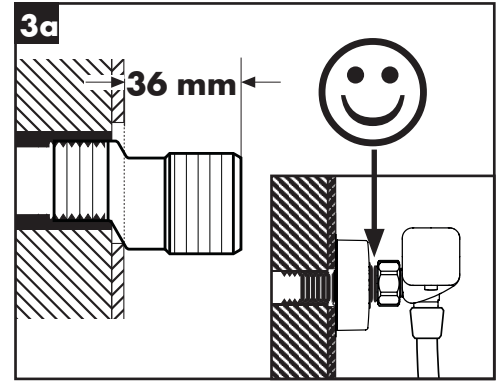
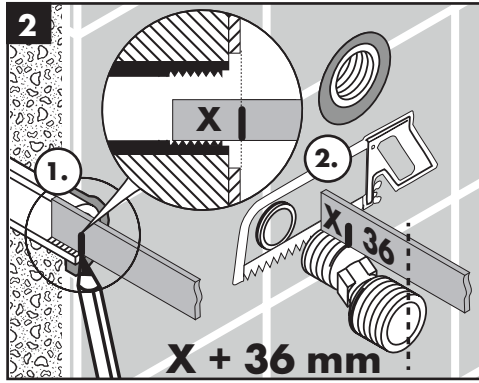
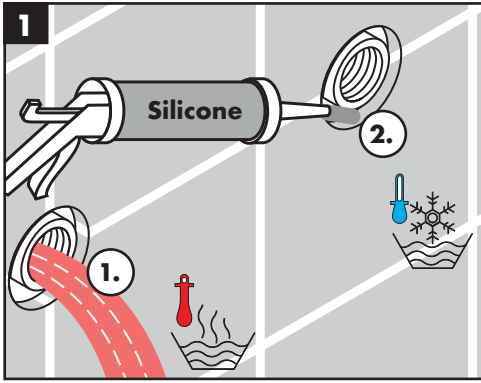
15773007

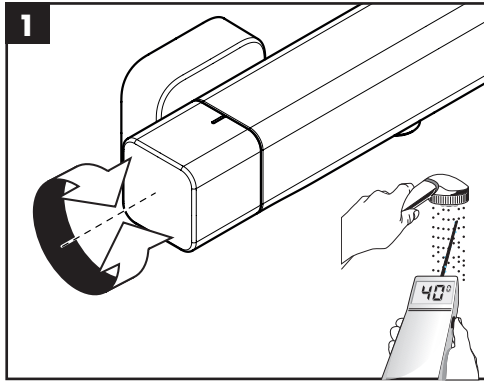


Ecostat E

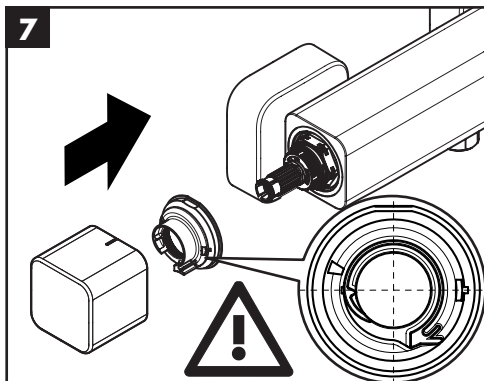
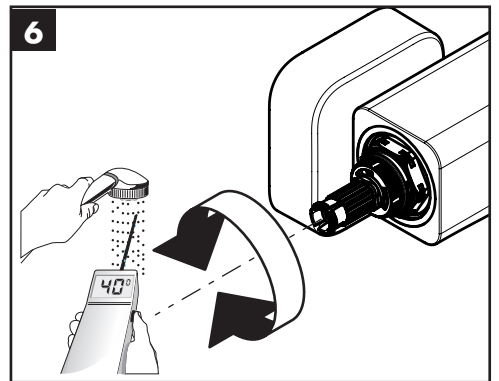
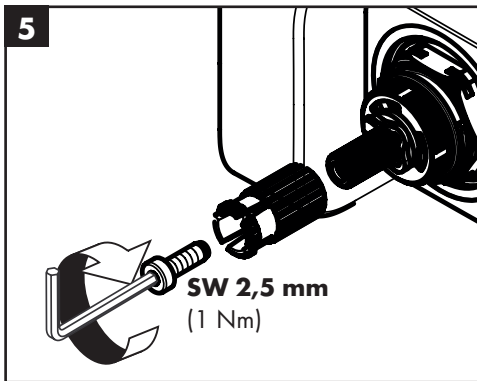
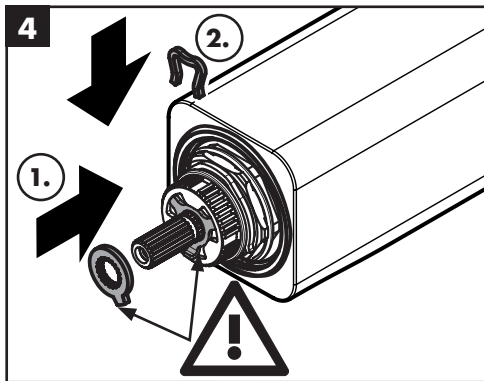
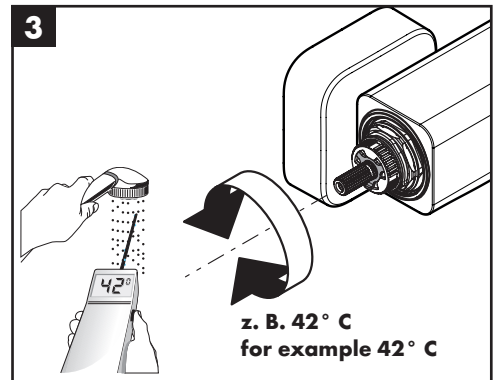
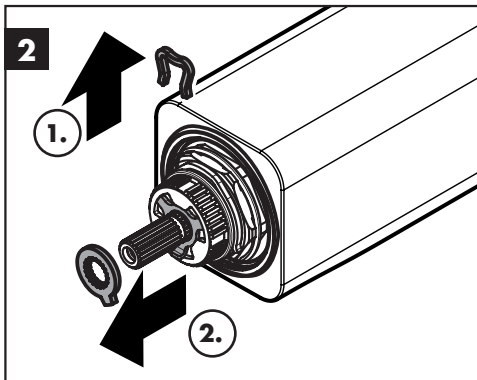
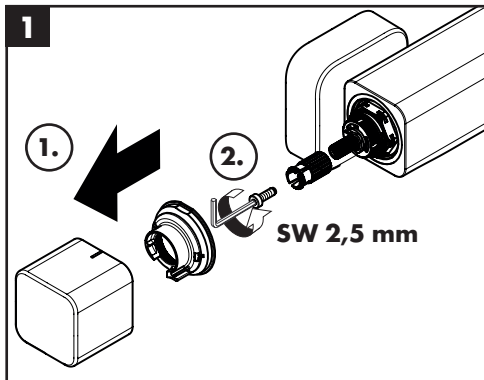
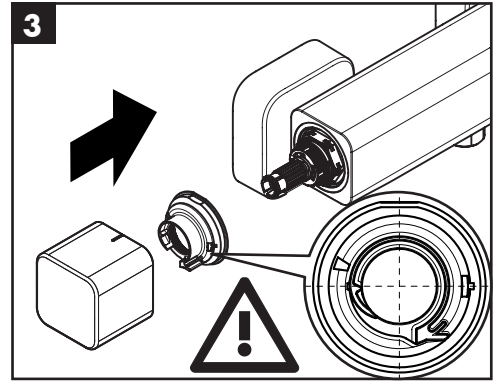
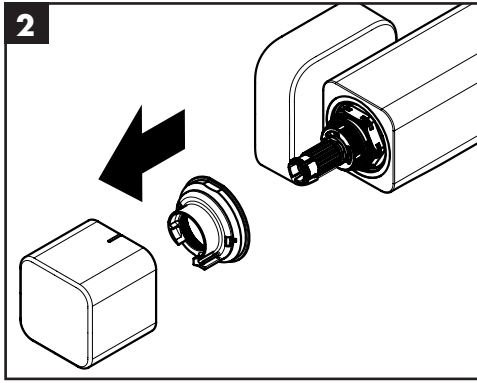
15774007







max.
≈ 42 °C



P-IX

DVGW

SINTEF

NF



ETA



GODKENDT
TIL DRILLEKVVAND

Hansgrohe SE

DIN 4109-1

PA-IX 16947/IIB

MPA NRW.

Hansgrohe SE

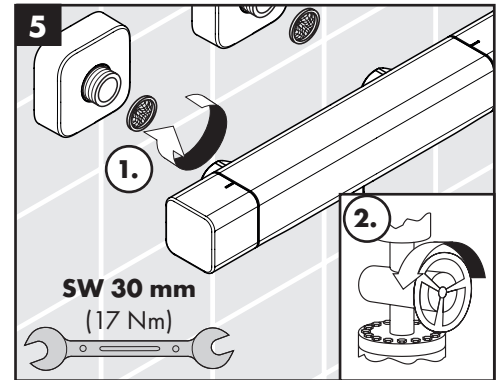
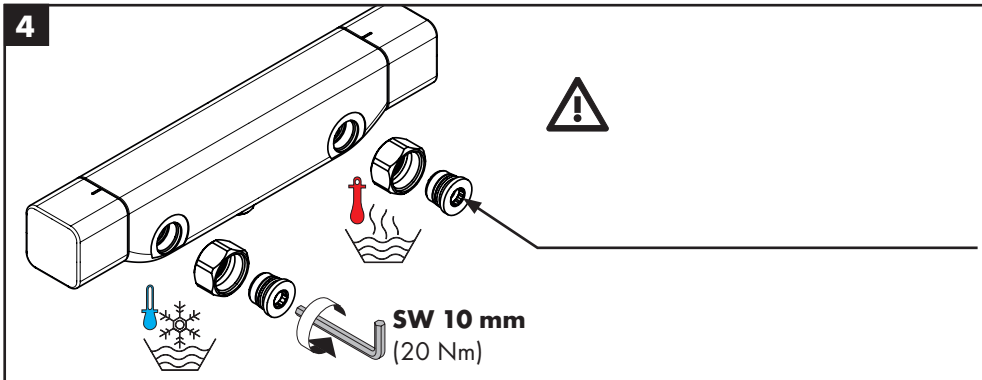
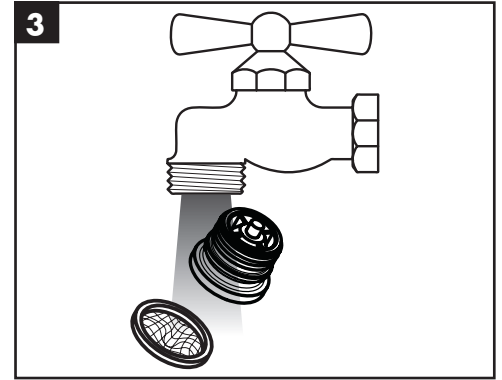
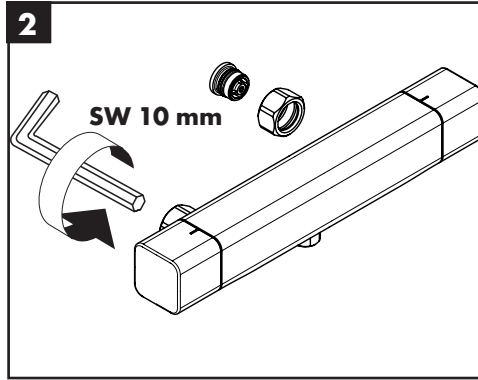
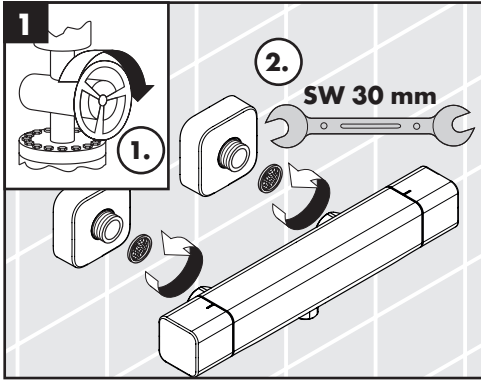
DIN 4109-1

PA-IX 16948/IIDB

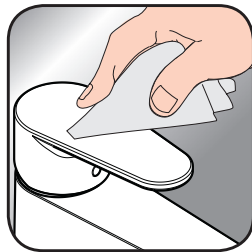
MPA NRW.

15773XXX PA-IX 16947/IIB

15774XXX PA-IX 16948/IIDB



www.hansgrohe.com/cleaning-recommendation



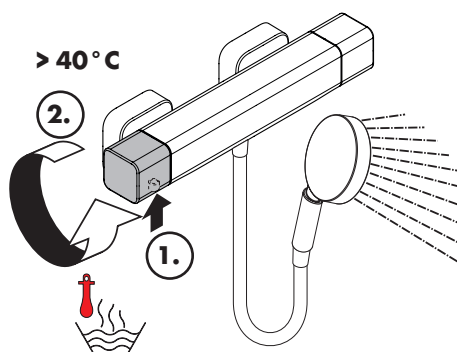
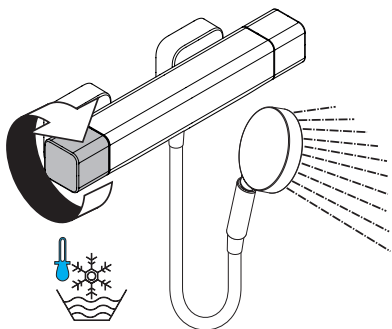
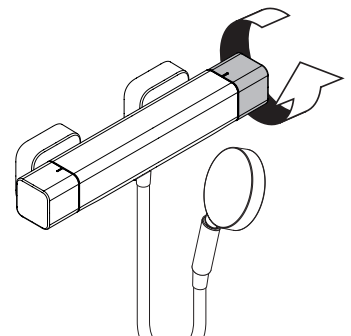
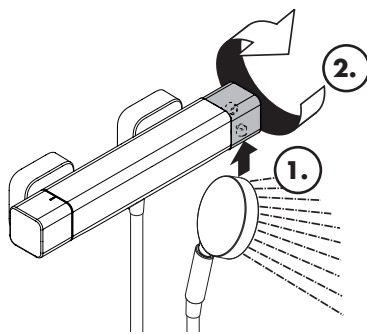
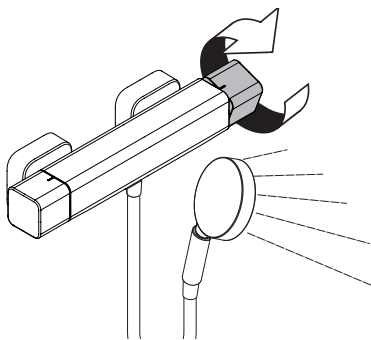
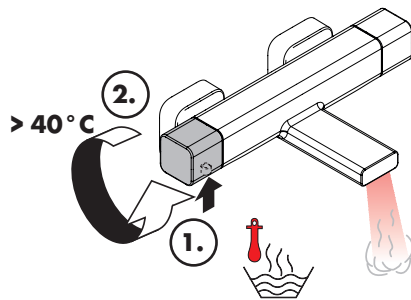
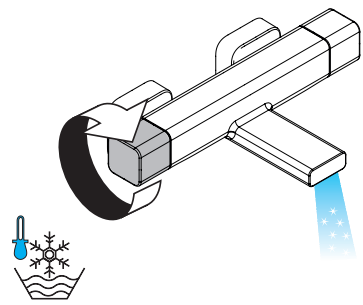
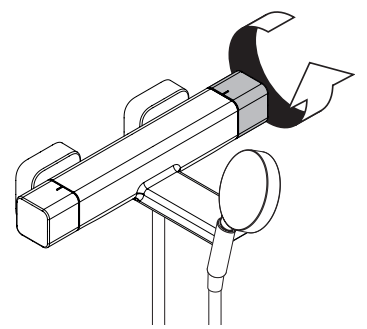
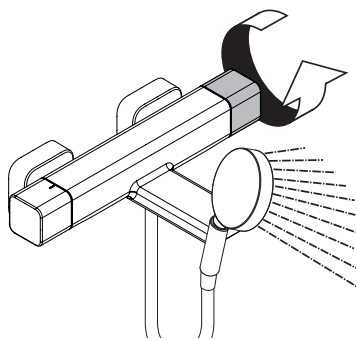
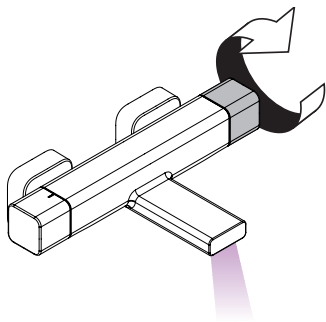
www.hansgrohe.com/cleaning-recommendation



www.hansgrohe.com/cleaning-recommendation

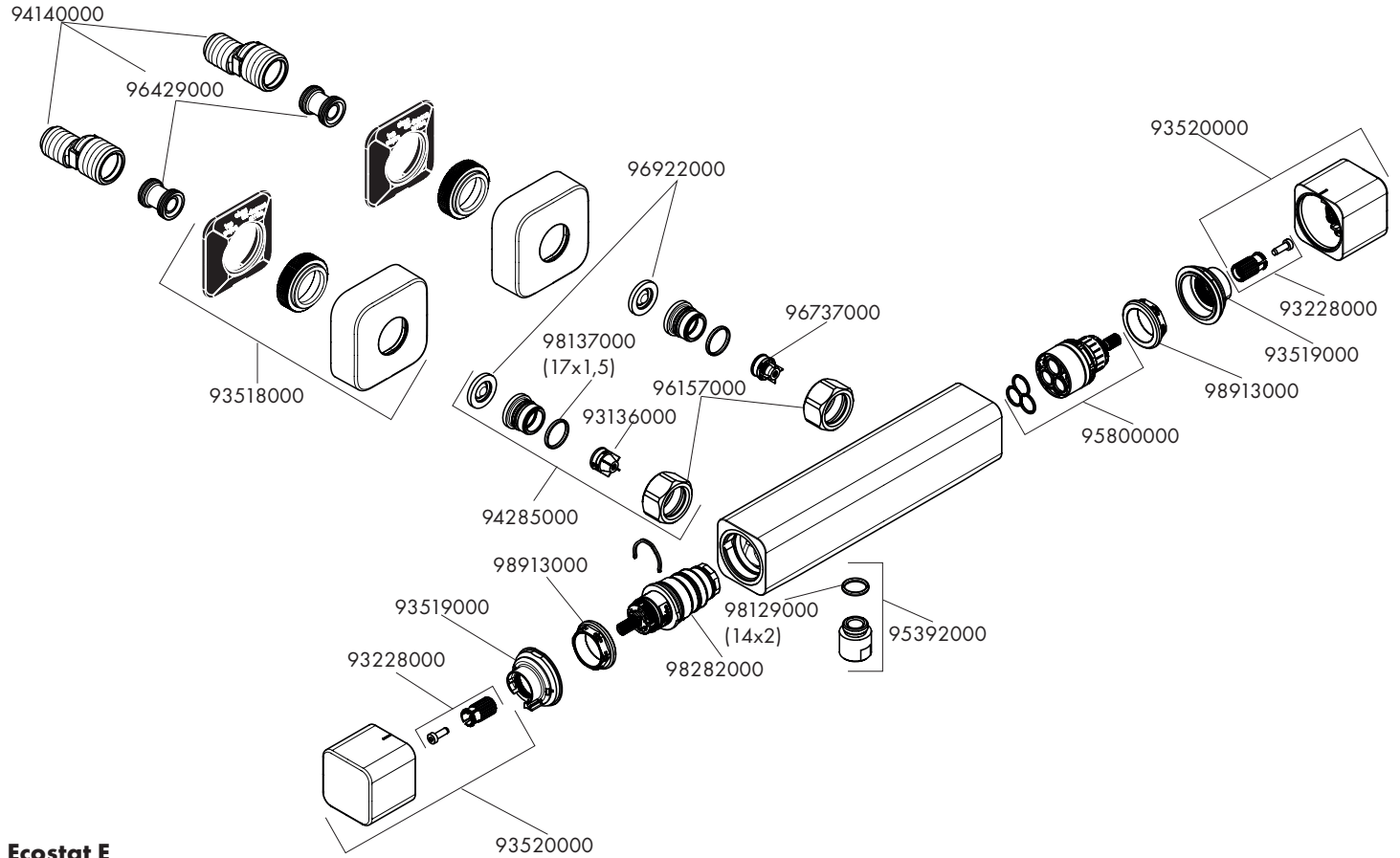


www.hansgrohe.com/cleaning-recommendation



Ecostat E

15773000 / 15773007



Ecostat E

15774000 / 15774007

