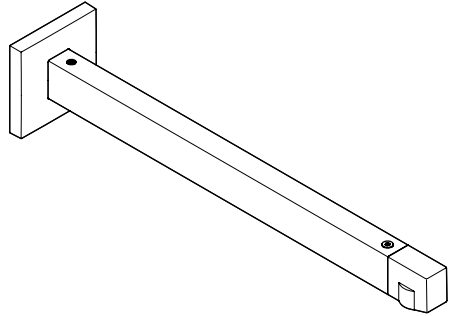


hansgrohe

Instructions for use / Assembly instructions



Pulsify E 1jet 390
24337XXX



Safety Notes

- ⚠️ Gloves should be worn during installation to prevent crushing and cutting injuries.
- ⚠️ The product may only be used for bathing, hygienic and body cleaning purposes.

Installation Instructions

- Prior to installation, inspect the product for transport damages. After it has been installed, no transport or surface damage will be honoured.
- The pipes and the fixture must be installed, flushed and tested as per the applicable standards.
- The plumbing codes applicable in the respective countries must be observed.
- The arm of the shower head is intended only to hold the shower head. Do not load it down with other objects!
- During installation of the product by qualified trained personnel, make sure that the entire fastening surface is even and smooth (no protruding seams or tile offset), that the finish of the wall is suitable to apply the product and has no weak points.

Symbol description



Do not use silicone containing acetic acid!



Dimensions (see page 18)



Spare parts (see page 18)

XXX = Colors

000 = Chrome Plated

140 = Brushed Bronze

670 = Matt Black

700 = Matt White

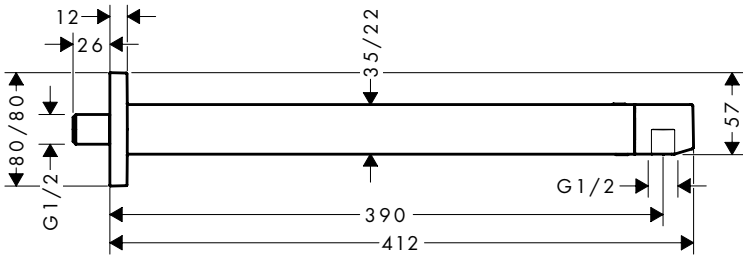


Cleaning (see page 22)



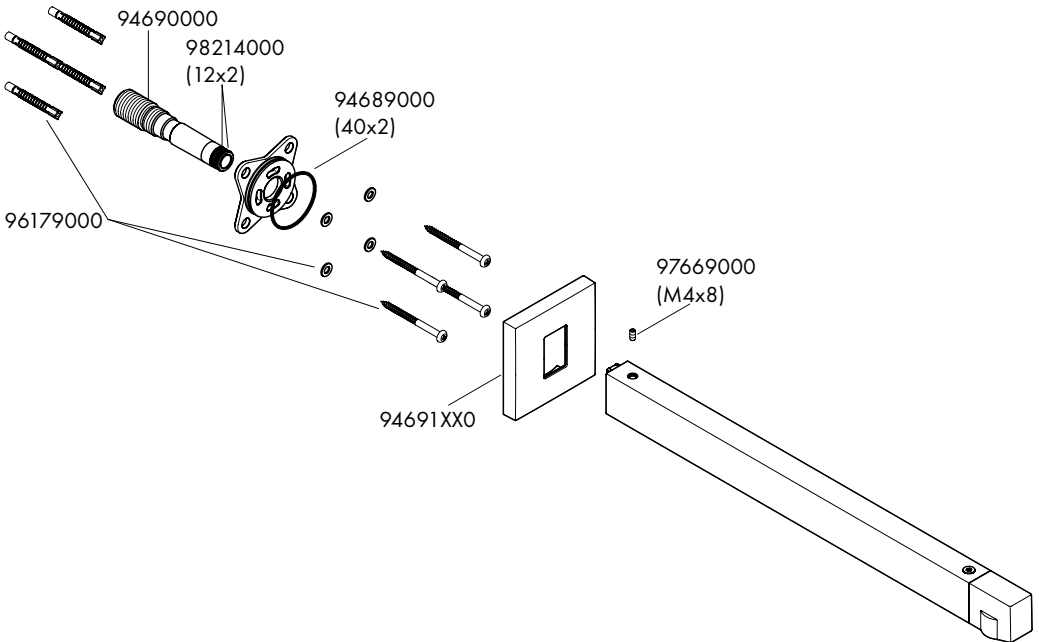
Pulsify E 1jet 390

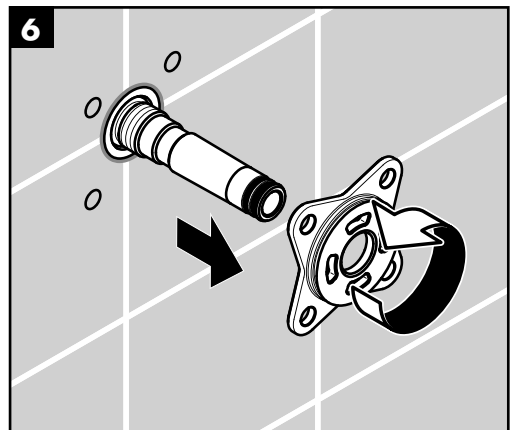
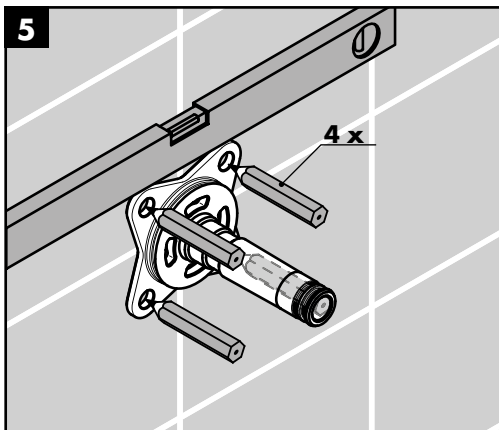
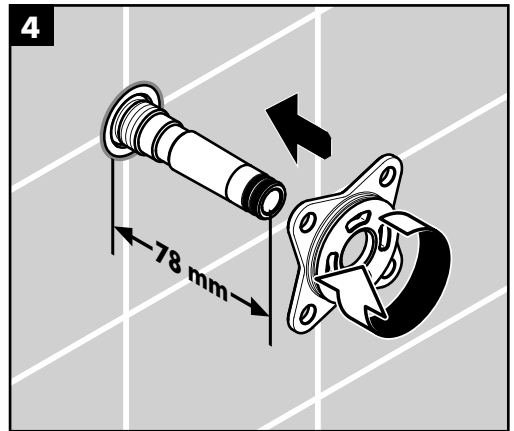
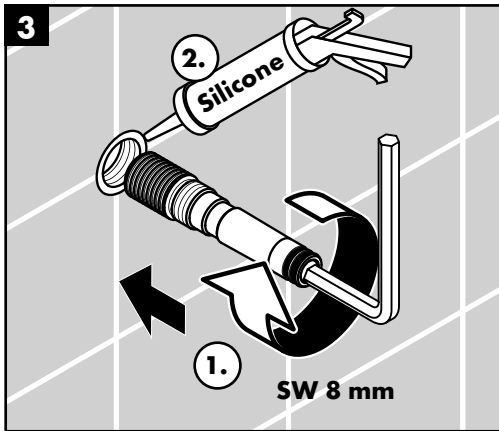
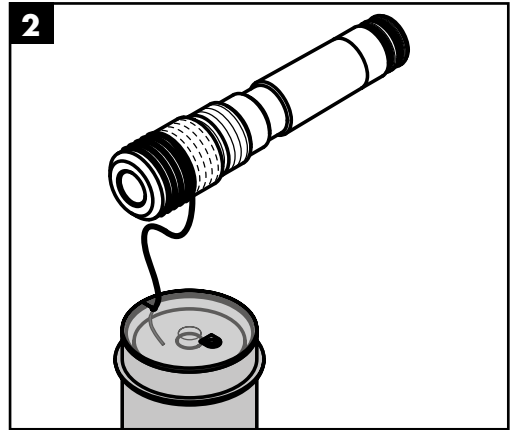
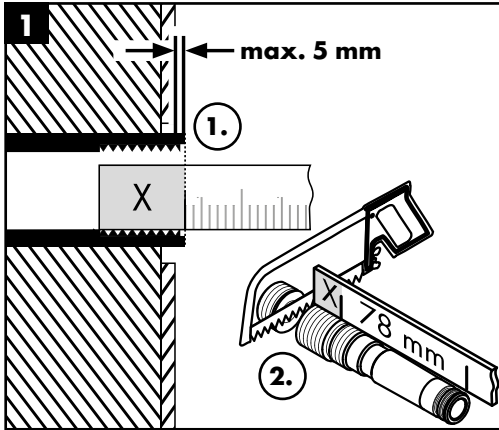
24337XXX

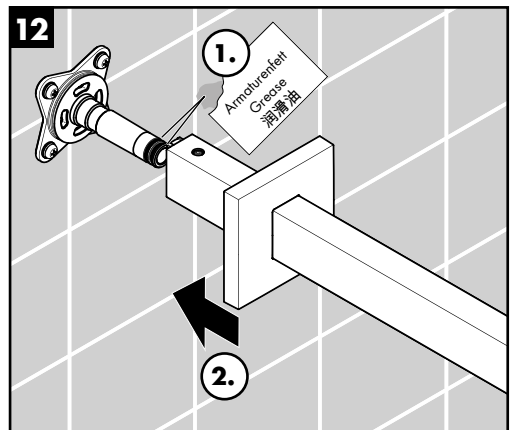
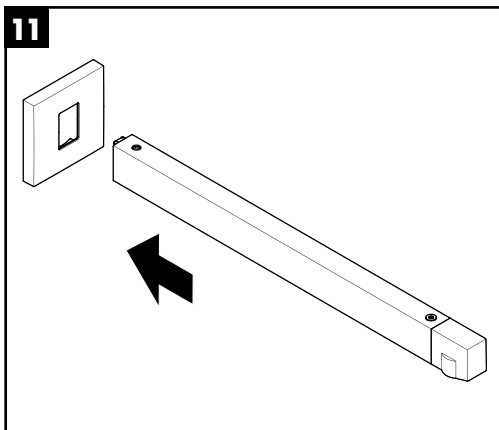
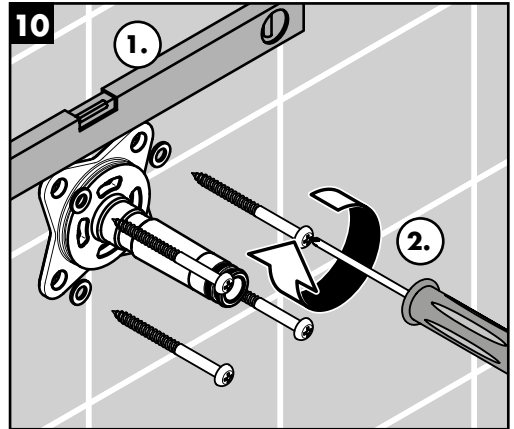
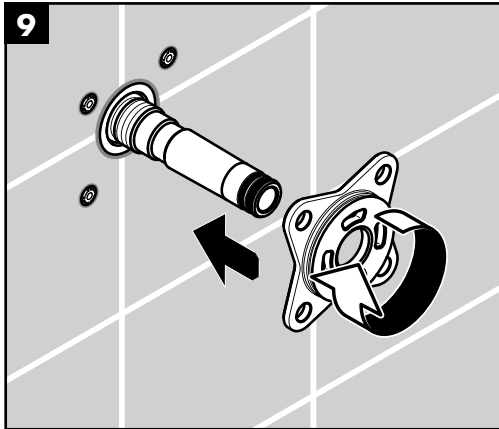
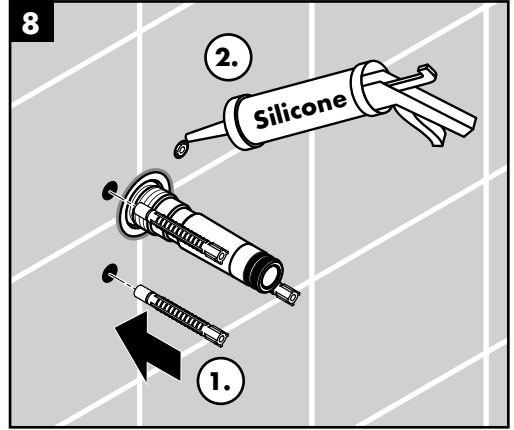
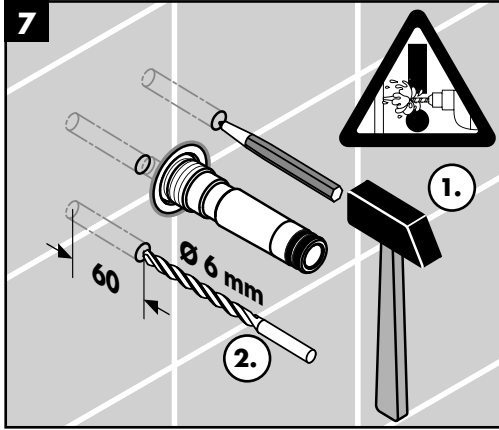


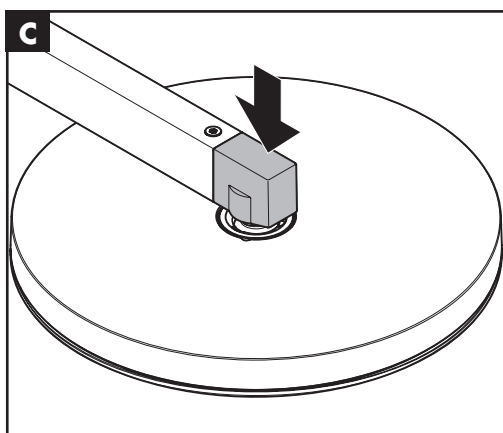
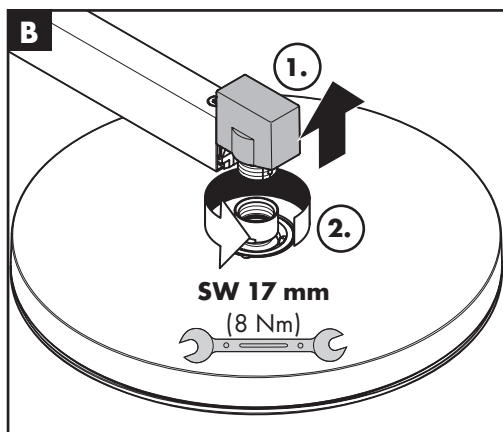
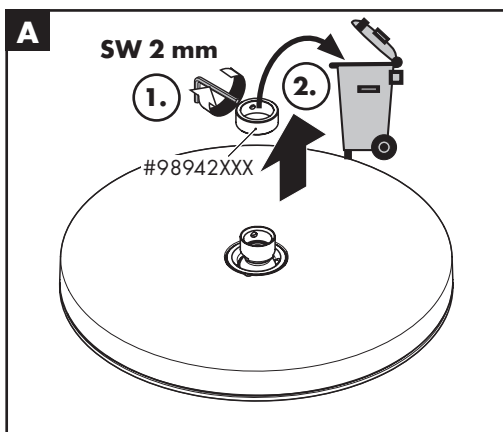
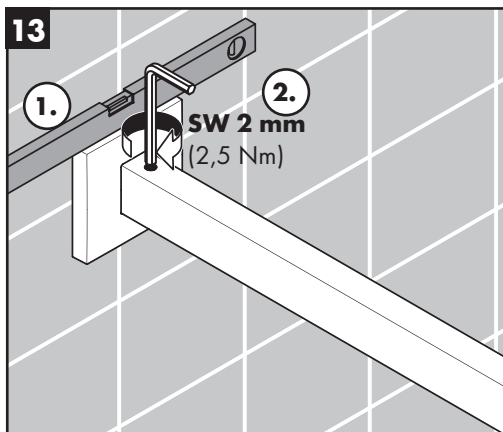
Pulsify E 1jet 390

24337XXX









hansgrohe

Hansgrohe · AuestraÙe 5 · 9 · D-77761 Schiltach · Telefon +49 (0) 78 36/51-1282 · Telefax +49 (0) 7836/511440
E-Mail: info@hansgrohe.com · Internet: www.hansgrohe.com

10/2022
9.092.07.01