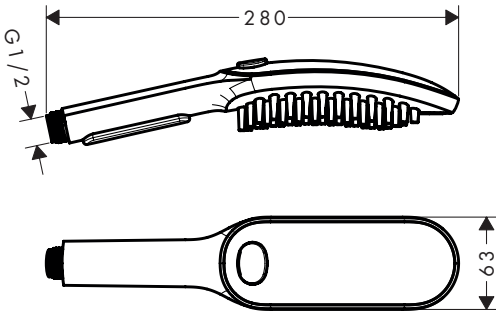






hansgrohe



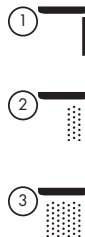
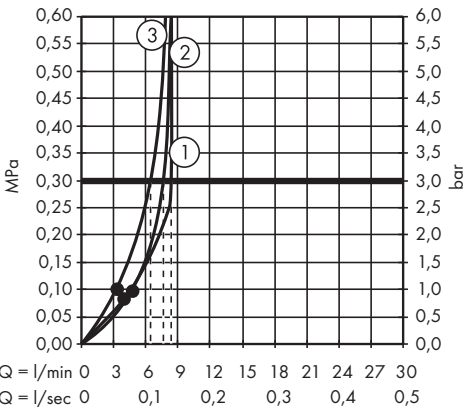
DogShower 150 3jet
26640XXX

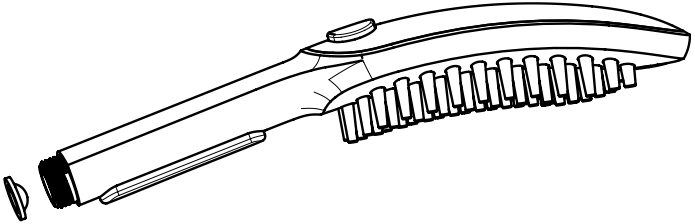


	P max. 0,6 MPa 6 bar	0,1 - 0,4 MPa (1 - 4 bar)	
	T max. 60 °C	< 50 °C	

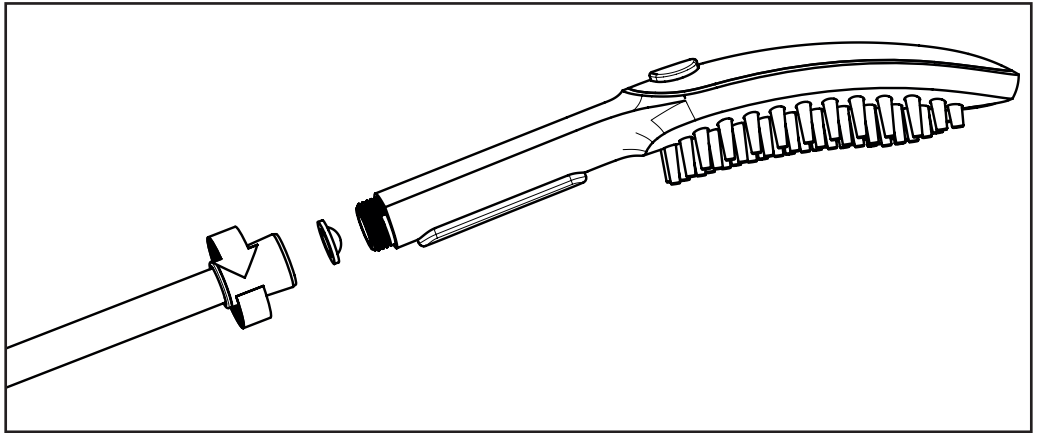
Special information for UK

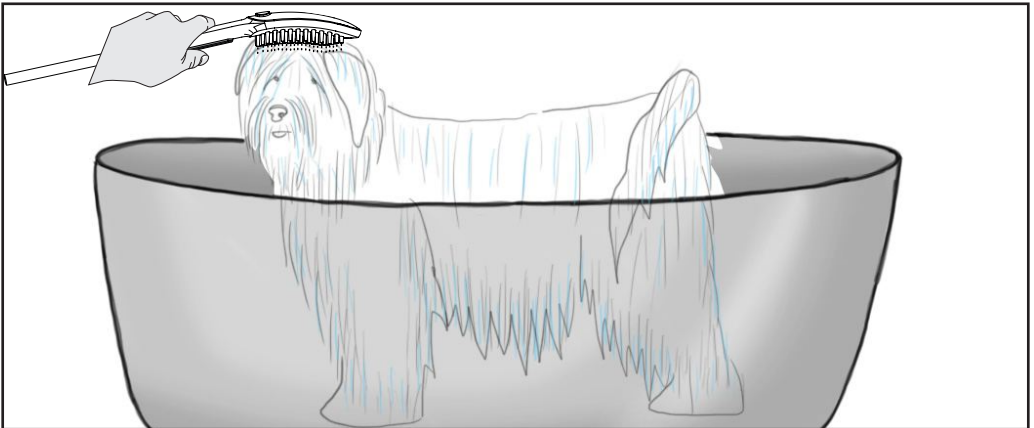
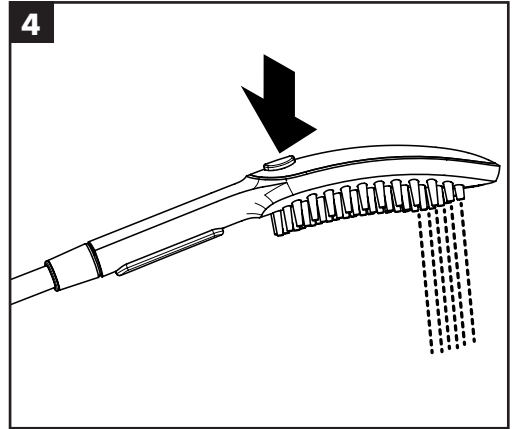
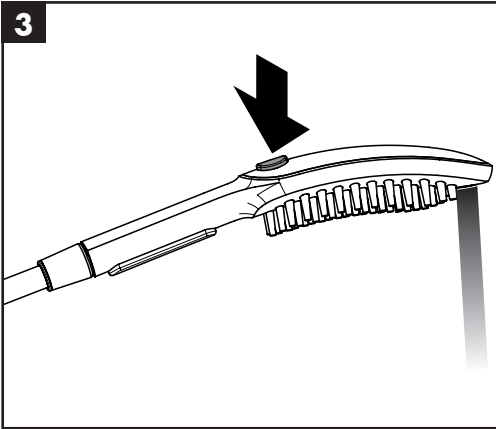
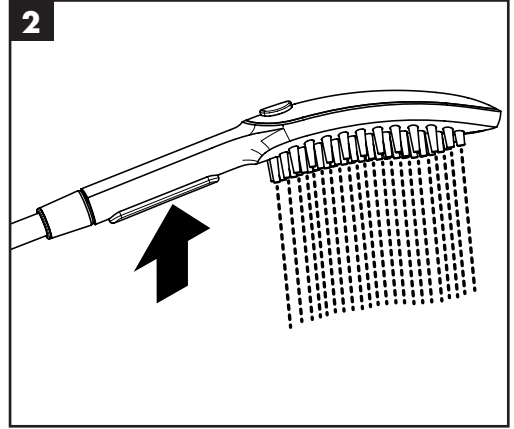
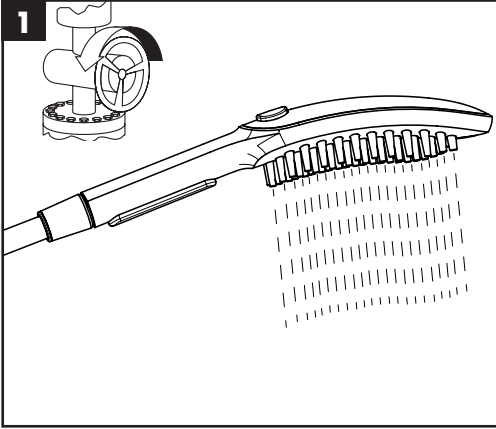
This type of tap will not maintain an appropriate tap gap, because part of the tap assembly (the hose attachment) can fall below the spill over level of the sink. Therefore it must not be directly connected to the drinking water supply without the protection of an appropriate backflow arrangement, as agreed by your local water supplier. If the tap assembly is required to be fed from storage, this tap may require a water pressure higher than that provided by a normal storage gravity fed system (e.g. typical gravity fed system - 0.5 bar). If boosting/pumping of the system is required advance notification to the local water supplier may be required. The tap assembly must only be supplied via a wholesome source of water (hot and cold supplies). It is important to ensure that this tap is connected in accordance with the Water Supply (Water Fittings) Regulations (Byelaws in Scotland).





94246000







Cleaning Recommendation

Today, modern showers consist of very different materials to comply with the needs of the market with regard to design and functionality.

To avoid damage and reclamations, it is necessary to consider certain criteria when cleaning.

With regard to caring for the product, the following must in principle be heeded:

- Only use cleaning material which is explicitly provided for this type of application.
- Never use cleaning materials, which contain hydrochloric acid, formic acid, concentrated caustic soda, chlorine pale lye or acetic acid, as they cause considerable damage.
- Phosphorus acidic cleaners are only conditionally applicable.
- Mixing cleaning agents is not permitted, generally.
- Never use cleaning materials or appliances with an abrasive effect, such as unsuitable cleaning powders, sponge pads or micro fibre cloths.
- The instructions of the cleaning agent manufacturers have to be followed absolutely.
- Cleaning has to be carried out with a specified cleaner dosage, contact time, object-related and adapted to the needs.
- The building up of calcifications has to be removed by cleaning regularly.
- When using spray cleaners, spray the cleaning solution onto a soft cloth or sponge, never directly onto the product, as the atomised spray could enter openings and gaps in the product and cause damage.
- After cleaning rinse thoroughly with clean water to remove any cleaner residue.
- The use of steam cleaners is not permitted. The high temperatures can damage the products.

Important

Residues of toiletries such as liquid soaps, shampoos and shower gels, hair dyes, perfumes, aftershave and nail varnish can also cause damage.

Here too: Carefully rinse with water after use to remove residues.

The damage of already damaged surfaces will deteriorate under the effect of the cleansers.



Components with damaged surfaces must be exchanged, otherwise there could be an injury danger.

Damage caused by improper treatment will not be covered by our guarantee.