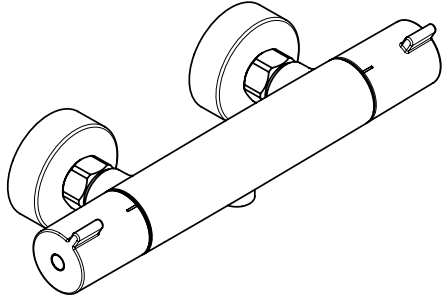


Ecostat
13201000



Ecostat
13211000



Safety Notes

- △ Gloves should be worn during installation to prevent crushing and cutting injuries.
- △ The product may only be used for bathing, hygienic and body cleaning purposes.
- △ Children as well as adults with physical, mental and/or sensoric impairments must not use this product without proper supervision. Persons under the influence of alcohol or drugs are prohibited from using this product.
- △ The hot and cold supplies must be of equal pressures.

Installation Instructions

- Prior to installation, inspect the product for transport damages. After it has been installed, no transport or surface damage will be honoured.
- The pipes and the fixture must be installed, flushed and tested as per the applicable standards.
- The plumbing codes applicable in the respective countries must be observed.
- The product is not designed to be used with steam baths!

Thermostatic mixer in conjunction with combination boilers

- If fitting a hand shower remove the water limiter from the shower.
- If the continuous water heater causes any problems, or you have different water pressures you must install a water limiter to the cold supply, (ordered separately, article number 97510000).
- Thermostatic mixer Shower: When using the Ecostat with combination boilers, the Ecostat safety set (#95042000) has to be removed.

Technical Data

Operating pressure:	max. 1 MPa
Recommended operating pressure:	0,1 - 0,5 MPa
Test pressure:	1,6 MPa
	(1 MPa = 10 bar = 147 PSI)
Hot water temperature:	max. 60 °C
Centre distance:	150±12 mm
Connections G 1/2:	cold right - hot left
Thermal disinfection:	70 °C / 4 min

- Safety against backflow
- The product is exclusively designed for drinking water!

Symbol description

Do not use silicone containing acetic acid!

max. ≈ 42 °C Safety Function (see page 34)

The desired maximum temperature for example max. 42° C can be pre-set thanks to the safety function.

Adjustment (see page 33)

After the installation, the output temperature of the thermostat must be checked. A correction is necessary if the temperature measured at the output differs from the temperature set on the thermostat.

ECO ≈ 10 l **ECOSTOP** (see page 34)

Maintenance (see page 35)

- The check valves must be checked regularly according to EN 806-5 in accordance with national or regional regulations (at least once a year).
- To guarantee the smooth running of the thermostat, it is necessary from time to time to turn the thermostat from total hot to total cold.

Dimensions (see page 37)

Flow diagram (see page 37)

- ① Shower outlet
- ② Tub outlet

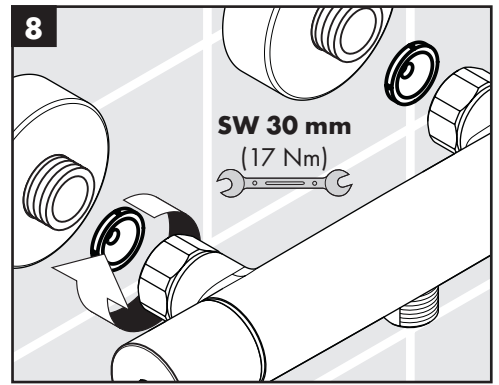
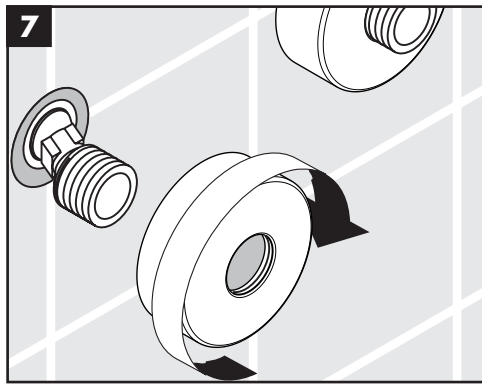
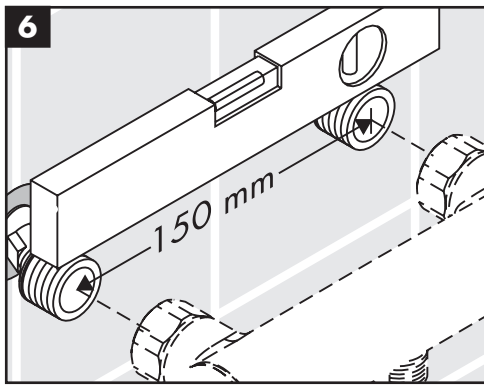
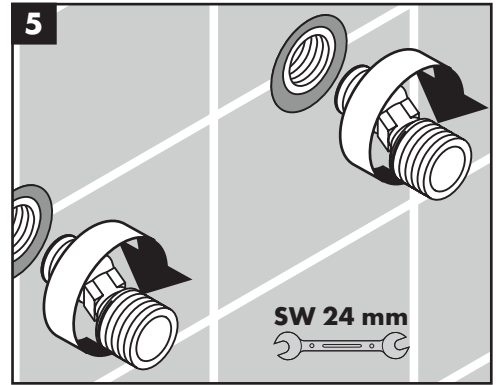
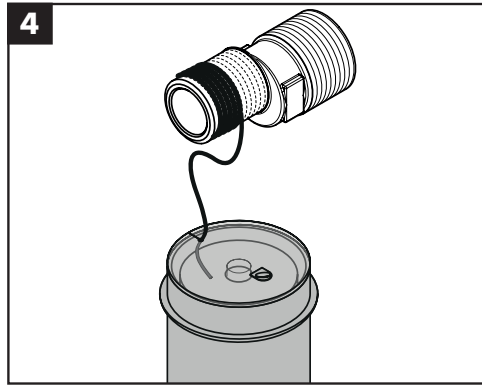
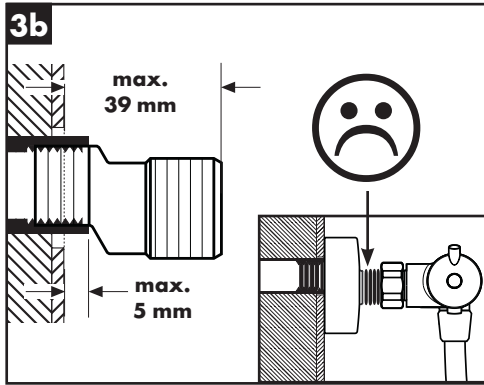
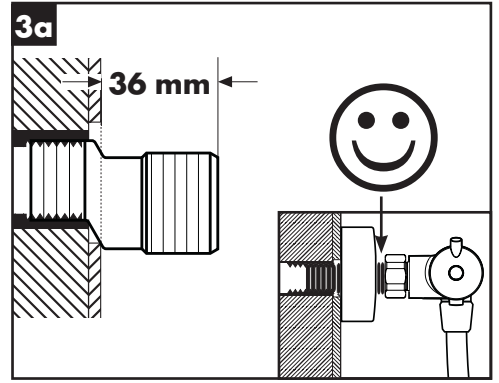
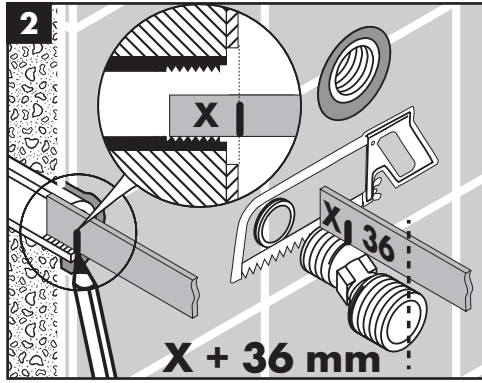
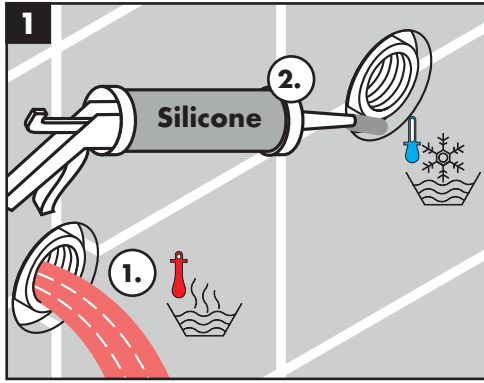
Spare parts (see page 38)

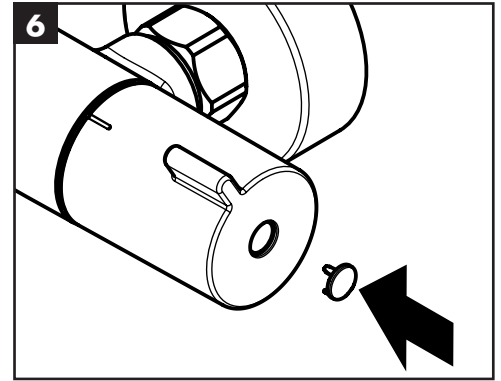
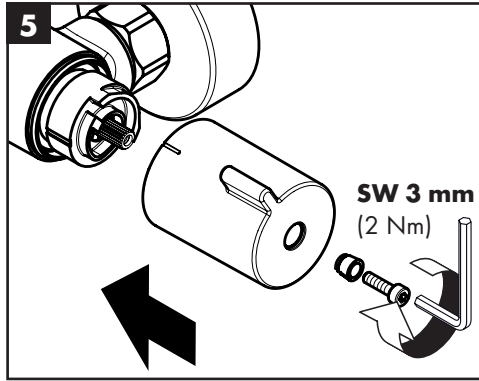
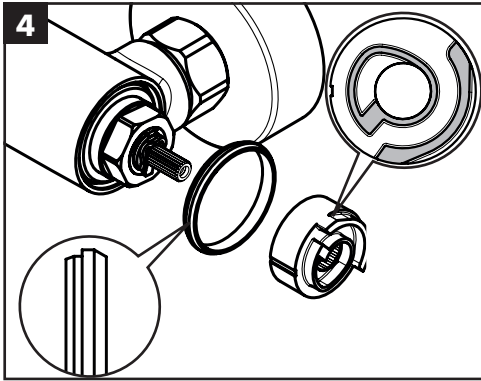
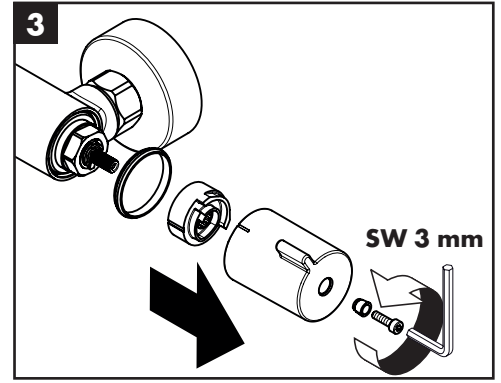
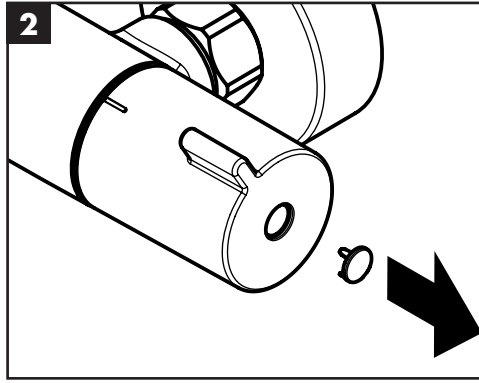
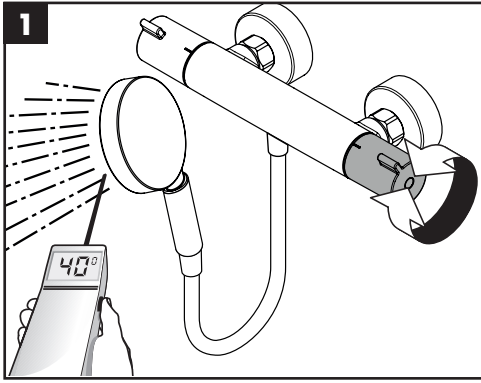
Cleaning (see page 35)

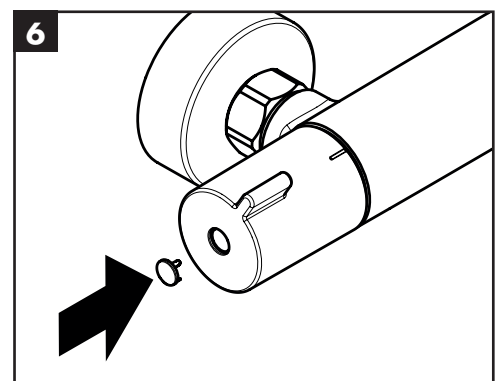
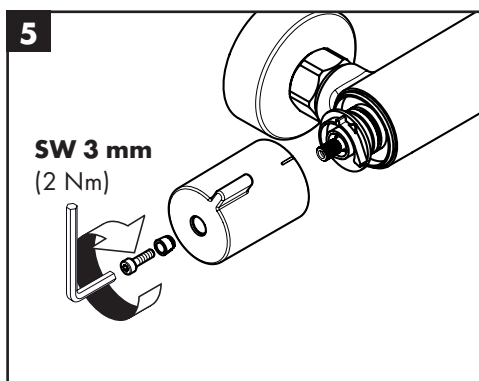
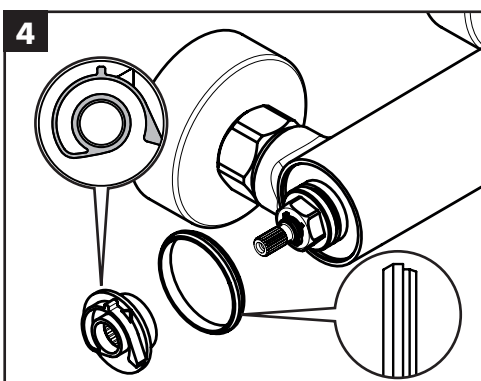
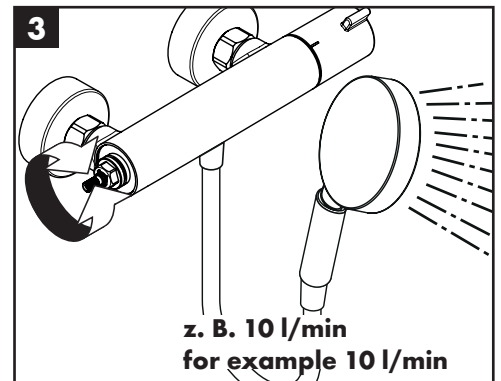
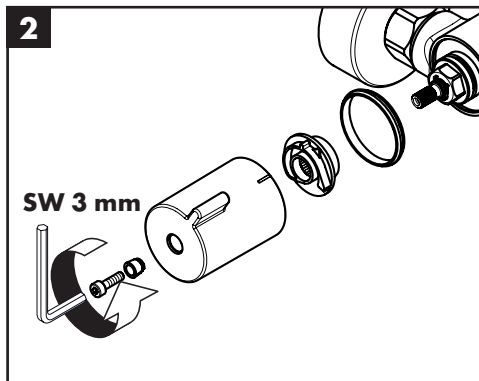
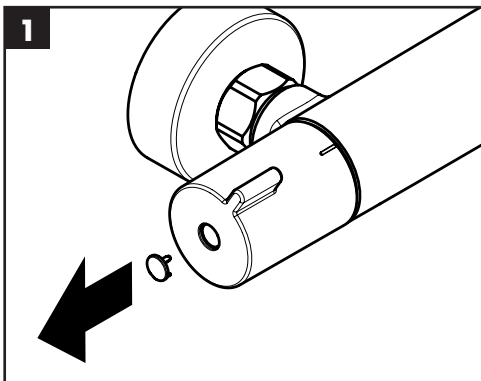
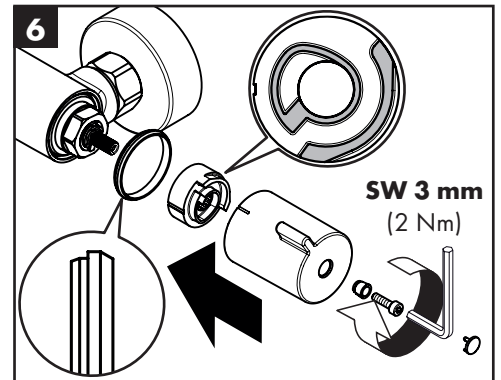
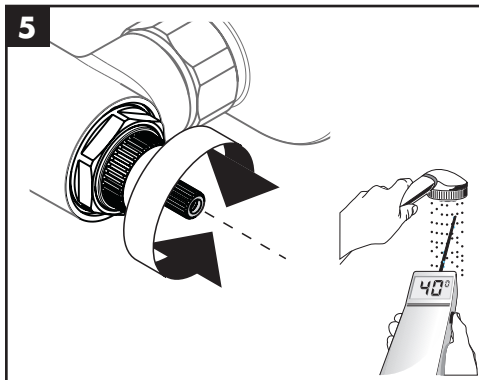
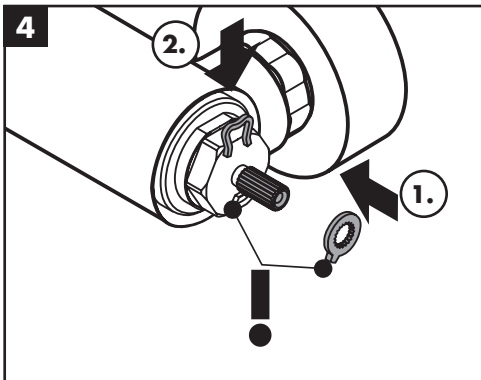
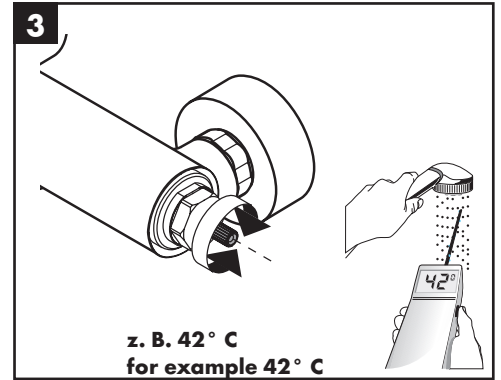
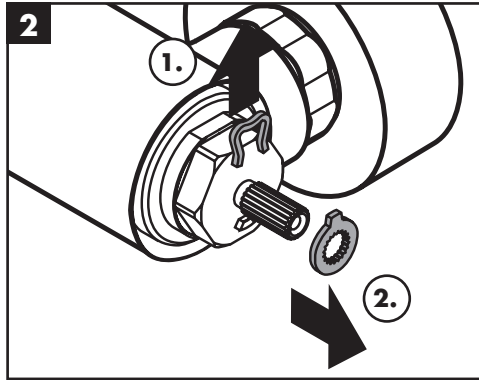
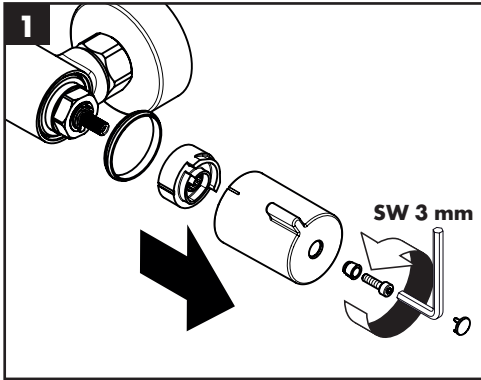
Operation (see page 36)

Test certificate (see page 40)

Fault	Cause	Remedy
Insufficient water	- Supply pressure inadequate	- Check water pressure (If a pump has been installed check to see if the pump is working).
	- Regulator filter dirty	- Clean filter in front of the mixer and on the MTC-thermo cartridge
	- Shower filter seal dirty	- Clean filter seal between shower and hose
Crossflow, hot water being forced into cold water pipe, or vice versa, when mixer is closed	- Backflow preventers dirty or leaking	- Clean backflow preventers, exchange if necessary
Spout temperature does not correspond with temperature set	- Thermostat has not been adjusted	- Adjust thermostat
	- Hot water temperature too low	- Increase hot water temperature to 42 °C to 60 °C
Temperature regulation not possible	- thermo cartridge calcified	- Exchange thermo cartridge
Shower drips continuously	- Dirt or sedimentation on valve seat, shut-off unit damaged	- Clean or exchange shut-off unit
Instantaneous heater didn't work with thermostat	- Filters are dirty	- Clean the filter / exchange filter
	- check valve hasn't moved back	- Exchange check valves
	- Flow limiter in handshower isn't removed	- Remove flow limiter
	- Ecostat safety set removed.	- Remove Ecostat safety set (#95042000)

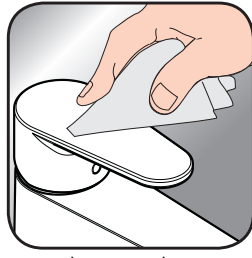








www.hansgrohe.com/cleaning-recommendation



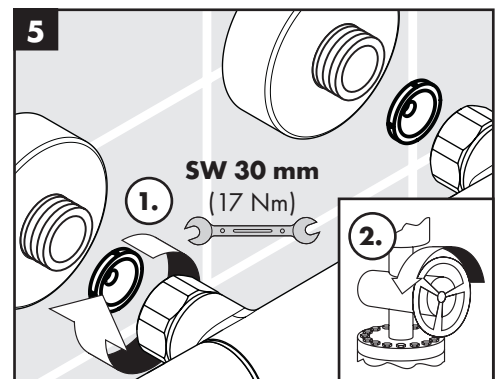
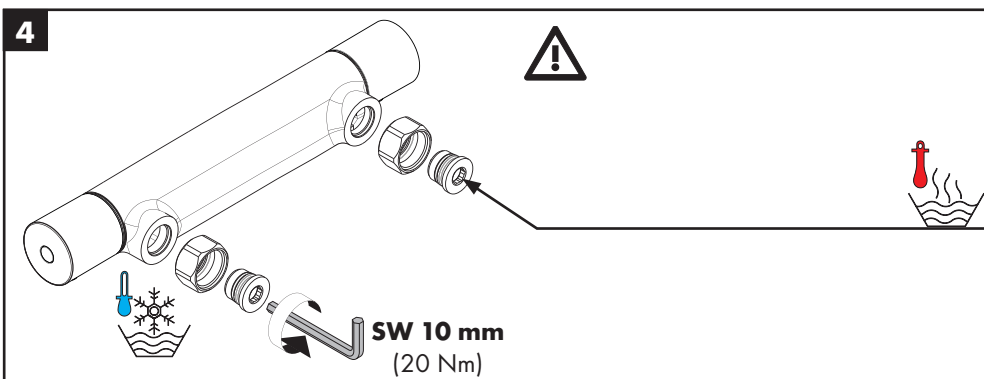
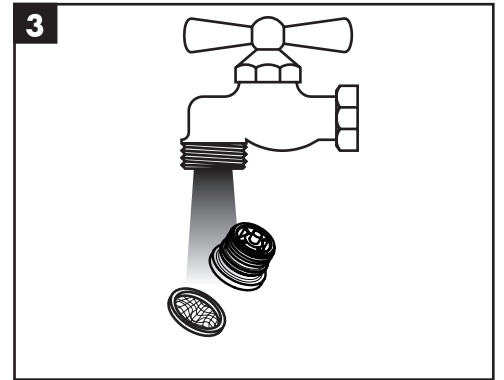
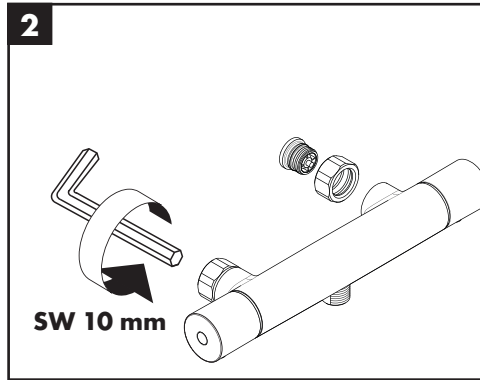
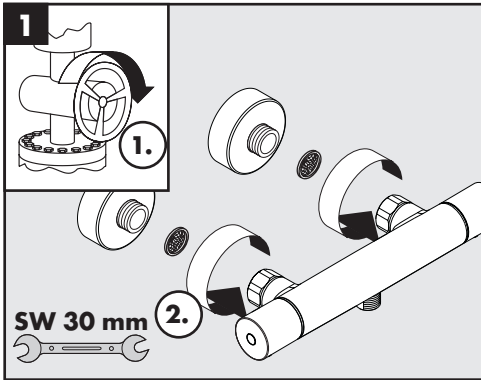
www.hansgrohe.com/cleaning-recommendation

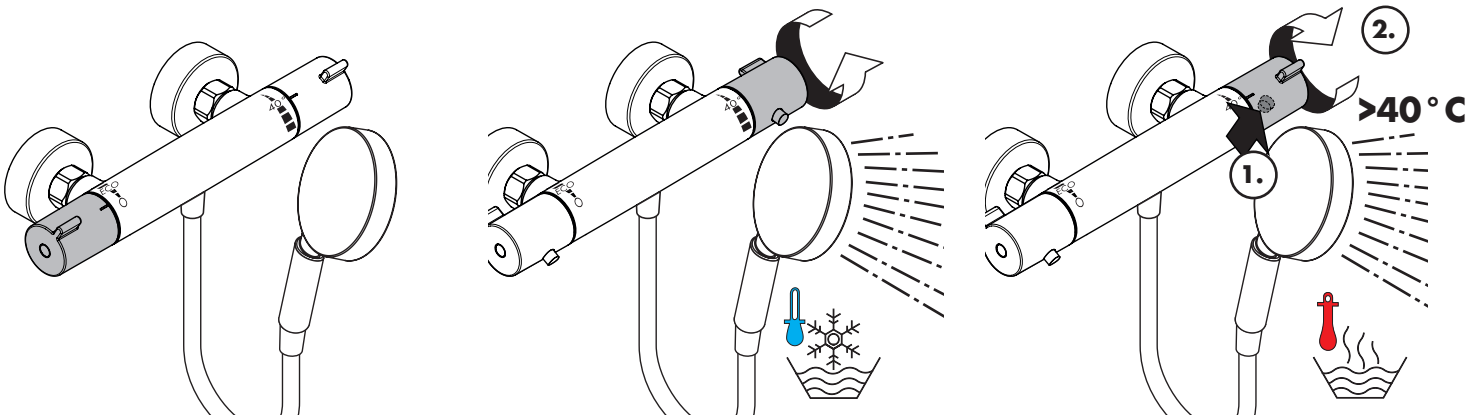
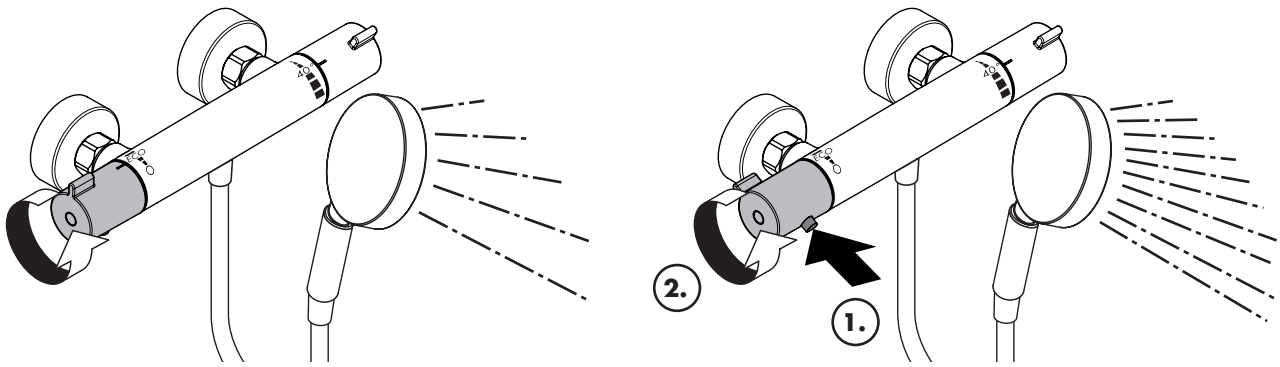
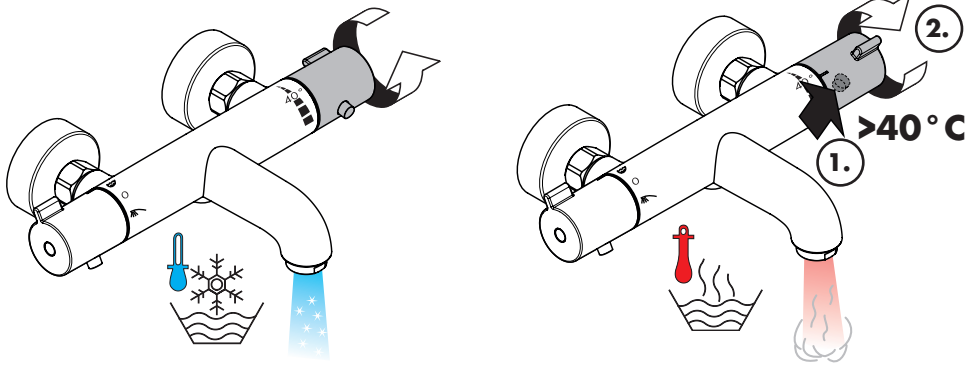
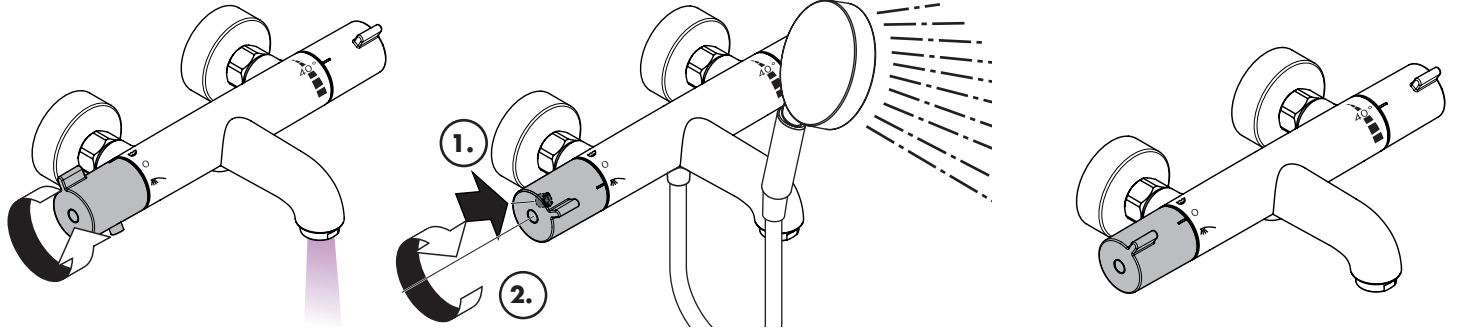


www.hansgrohe.com/cleaning-recommendation



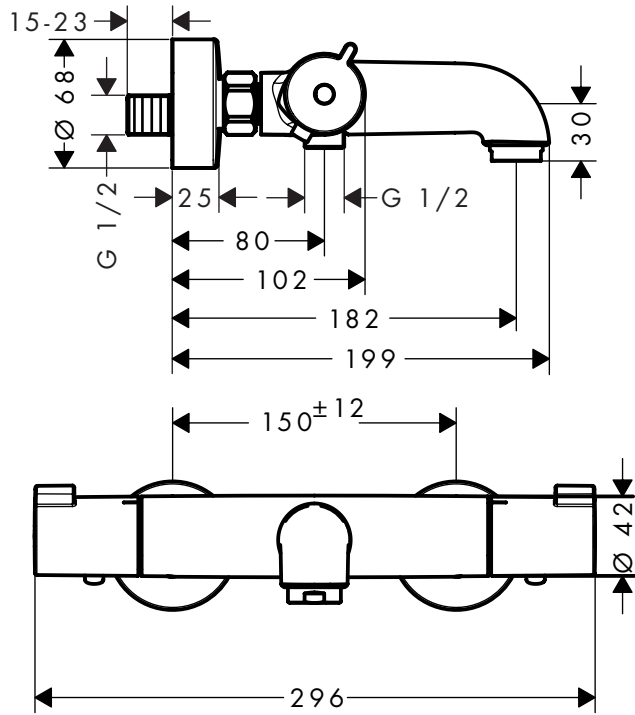
www.hansgrohe.com/cleaning-recommendation



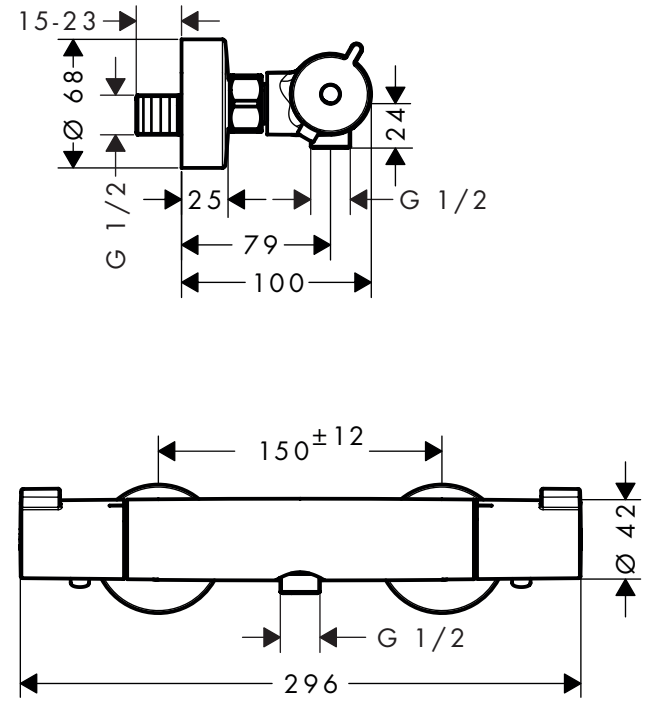




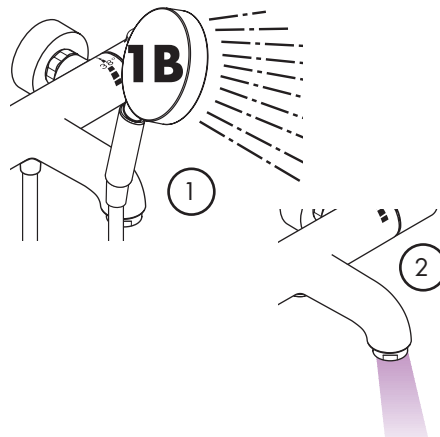
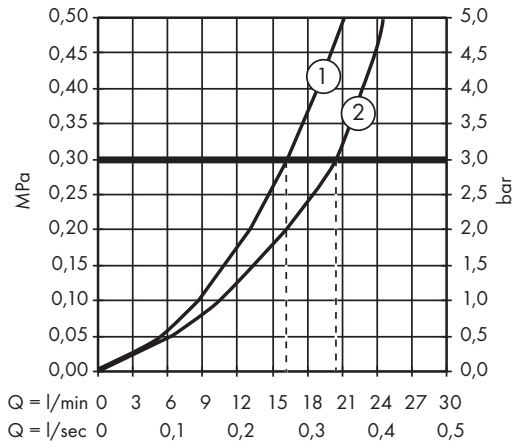
EcoStat
13201000



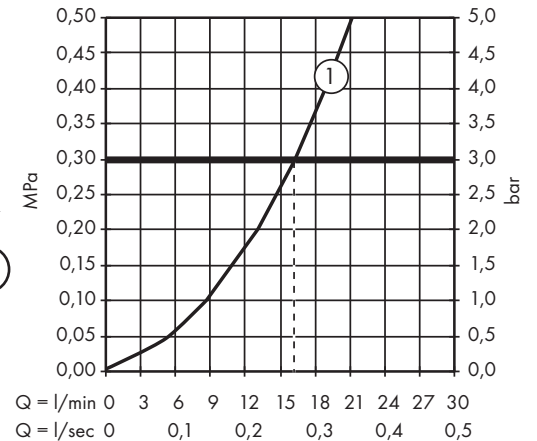
EcoStat
13211000



EcoStat
13201000

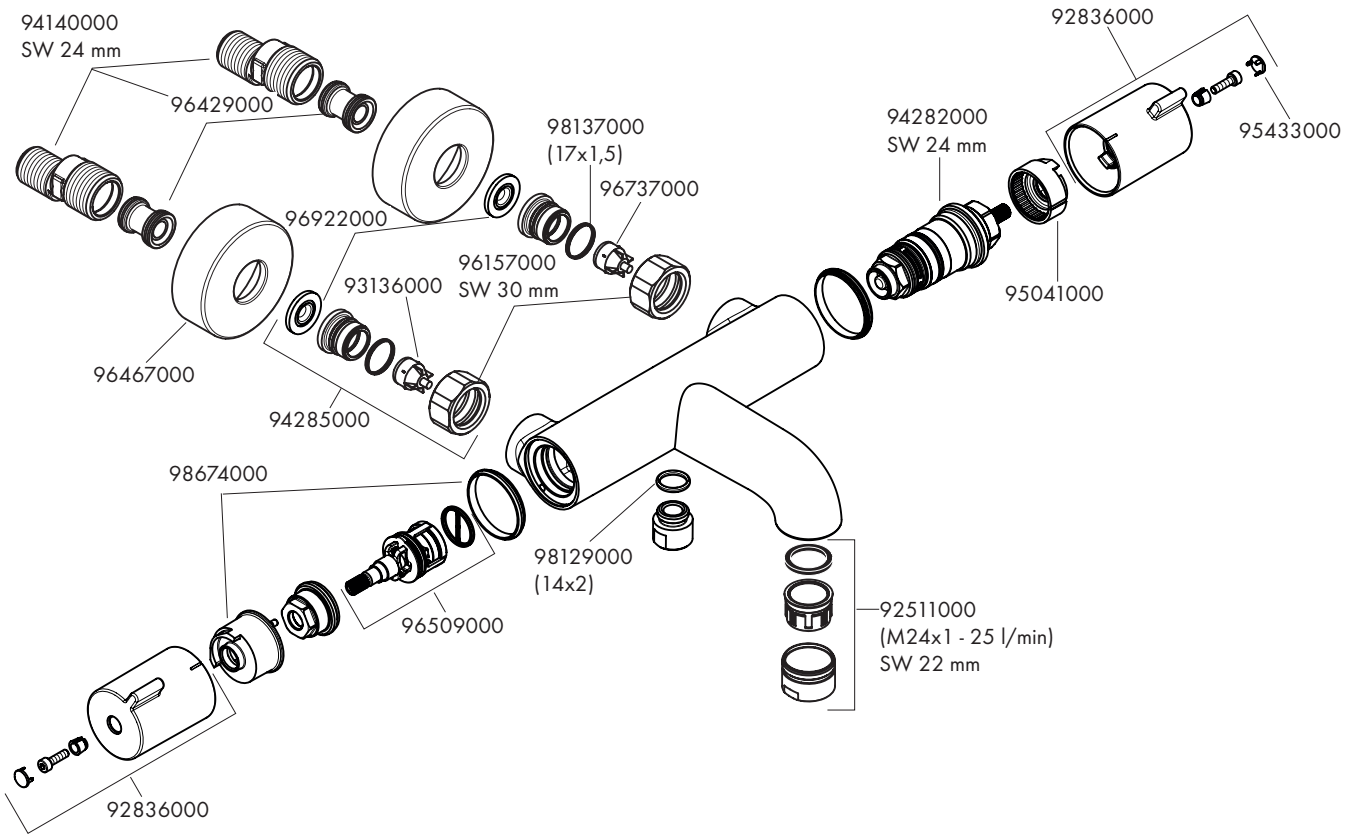


EcoStat
13211000

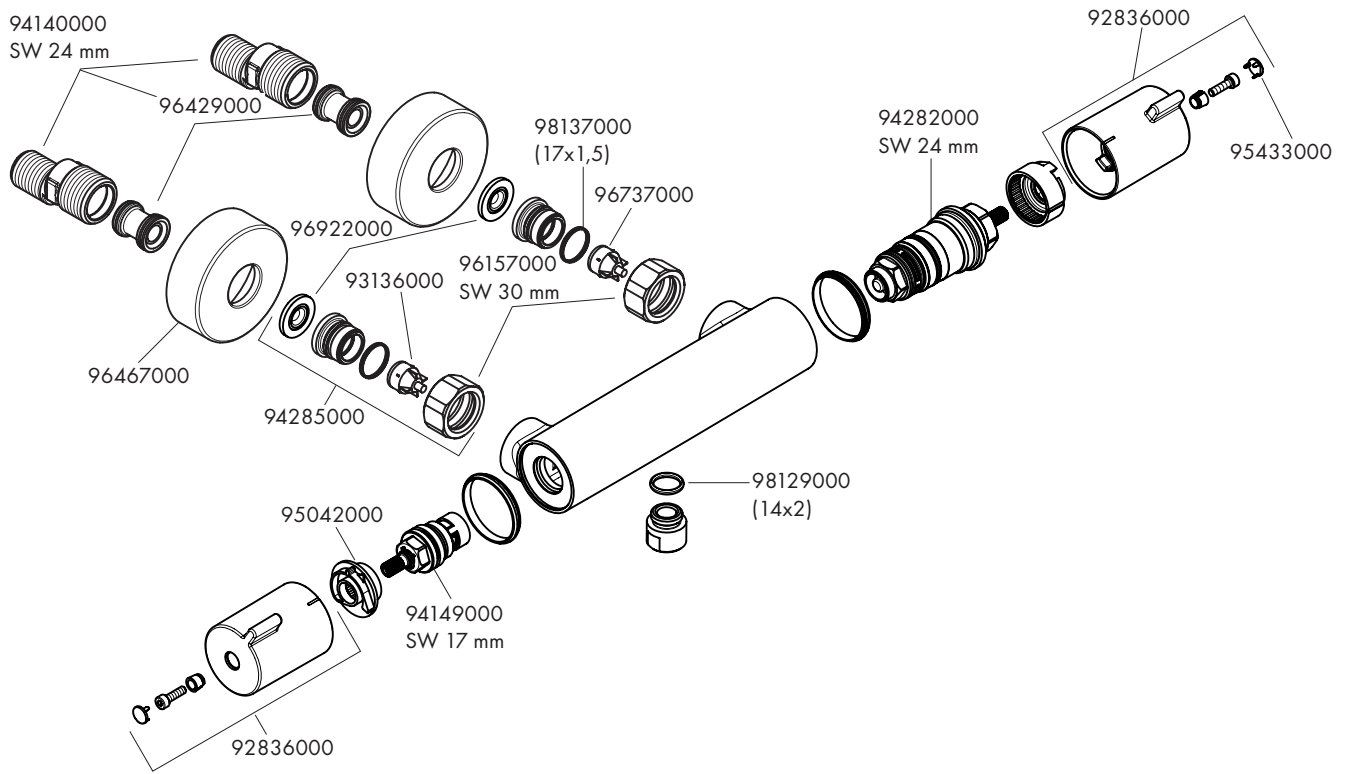




Ecostat
13201000



Ecostat
13211000





P-IX

DVGW

SINTEF

NF



ETA



13201000

X

X

X

X

13211000

X

X

X

X