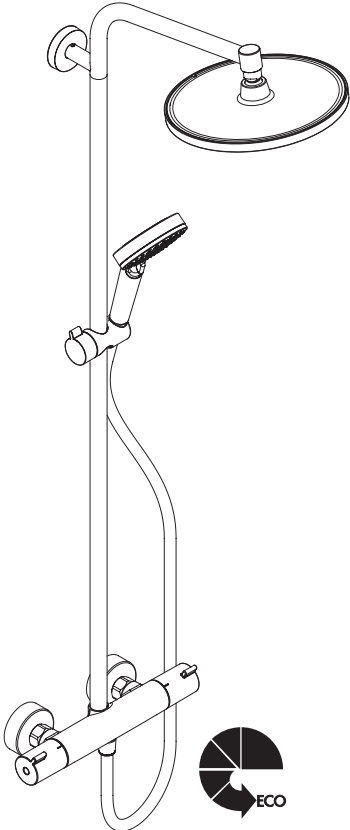


**Crometta E 240 1jet Showerpipe EcoSmart**  
27281XXX / 26596000



**Crometta S 240 1jet Showerpipe EcoSmart**  
27268XXX



## Safety Notes

- △ Gloves should be worn during installation to prevent crushing and cutting injuries.
- △ The arm of the shower head is intended only to hold the shower head. Do not load it down with other objects!
- △ Children as well as adults with physical, mental and/or sensoric impairments must not use this product without proper supervision. Persons under the influence of alcohol or drugs are prohibited from using this product.
- △ Do not allow the streams of the shower touch sensitive body parts (such as your eyes). An adequate distance must be kept between the shower and you.
- △ The product may not be used as a holding handle. A separate handle must be installed.
- △ The product may only be used for bathing, hygienic and body cleaning purposes.
- △ The hot and cold supplies must be of equal pressures.

## Installation Instructions

- Prior to installation, inspect the product for transport damages. After it has been installed, no transport or surface damage will be honoured.
- The pipes and the fixture must be installed, flushed and tested as per the applicable standards.
- The plumbing codes applicable in the respective countries must be observed.
- The installation dimensions stated in these installation instructions are ideal for people of approximately 1800 mm in body height. The dimensions can be altered if required. In this case, pay attention to the fact that a change of installation height will also change the minimum height, and that the altered mounting dimensions must be taken into consideration.
- During installation of the product by qualified trained personnel, make sure that the entire fastening surface is even and smooth (no protruding seams or tile offset), that the finish of the wall is suitable to apply the product and has no weak points.
- The mesh washer must be insert to protect the shower against incoming dirt by pipework. Incoming dirt leads to defects or/and can damage parts of the shower; such caused faults voids all liability and guarantee claims.
- The product is not designed to be used with steam baths!
- If required, the bottom part of the pipe between the fixture and the shower head can be shortened with a fine-toothed saw.
- In case of problems with the continuous water heater or of greatly varying water pressures, you must install the water limiter (comprised in the delivery, article number 97510000) in the cold water supply.

## Technical Data

Operating pressure:	max. 1 MPa
27268XXX Recommended operating pressure:	0,1 - 0,5 MPa
27281XXX / 26596000 Recommended operating pressure:	0,13 - 0,5 MPa
Test pressure:	1,6 MPa
	(1 MPa = 10 bar = 147 PSI)
Hot water temperature:	max. 60 °C
Thermal disinfection:	70 °C / 4 min
Centre distance:	150±12 mm
Connections G 1/2:	cold right - hot left

Fault	Cause	Remedy
Insufficient water	- Supply pressure inadequate	- Check water pressure (If a pump has been installed check to see if the pump is working).
	- Regulator filter dirty	- Clean filter in front of the mixer and on the MTC-thermo cartridge #96922000
	- Shower filter seal dirty	- Clean filter seal between shower and hose
Crossflow, hot water being forced into cold water pipe, or vice versa, when mixer is closed	- Backflow preventers dirty or leaking	- Clean backflow preventers, exchange if necessary
Spout temperature does not correspond with temperature set	- Thermostat has not been adjusted	- Adjust thermostat
	- Hot water temperature too low	- Increase hot water temperature to 42 °C to 60 °C
Temperature regulation not possible	- thermo cartridge calcified	- Exchange thermo cartridge
Instantaneous heater didn't work with thermostat	- Filters are dirty	- Clean the filter / exchange filter
	- check valve hasn't moved back	- Exchange check valves
	- Flow limiter in handshower isn't removed	- Remove flow limiter

- Safety against backflow
- The product is exclusively designed for drinking water!

## Symbol description



Do not use silicone containing acetic acid!



**Adjustment** (see page 34)

To adjust the hot water limiter. Using a hot water limiter in combination with a continuous flow water heater is not recommended.

## max. $\approx 42^{\circ}\text{C}$ Safety Function (see page 41)

The desired maximum temperature for example max. 42° C can be pre-set thanks to the safety function.



**Maintenance** (see page 40)

- The check valves must be checked regularly according to EN 806-5 in accordance with national or regional regulations (at least once a year).
- To guarantee the smooth running of the thermostat, it is necessary from time to time to turn the thermostat from total hot to total cold.



**Dimensions** (see page 36)



**Flow diagram** (see page 36)

- ① Hand shower
- ② Overhead shower



**Spare parts** (see page 41)

## Special accessories (order as an extra)



tile-matching-disk #95239000 (see page 41)



**Cleaning** (see page 38)

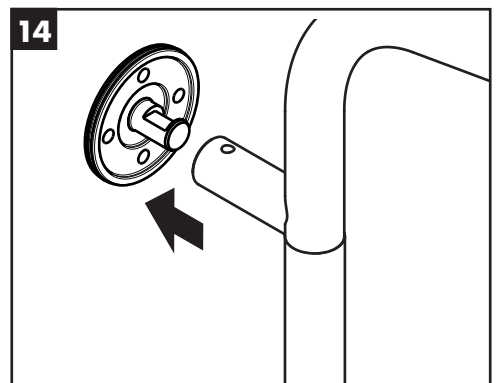
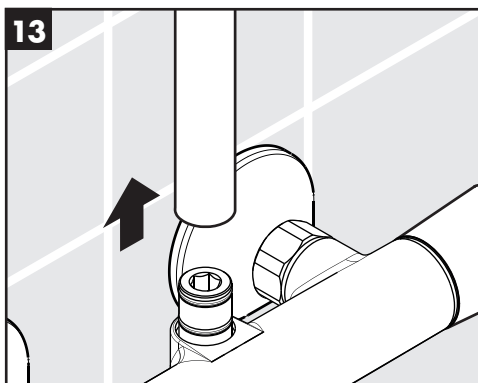
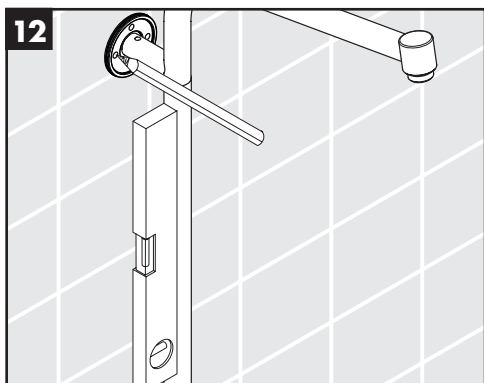
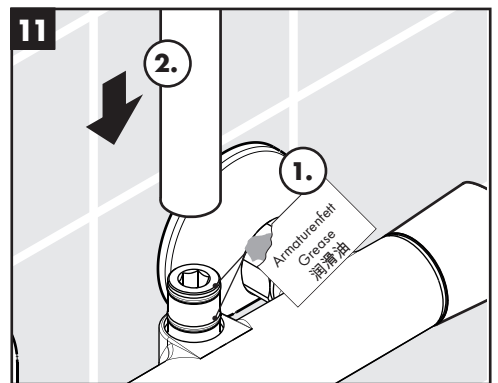
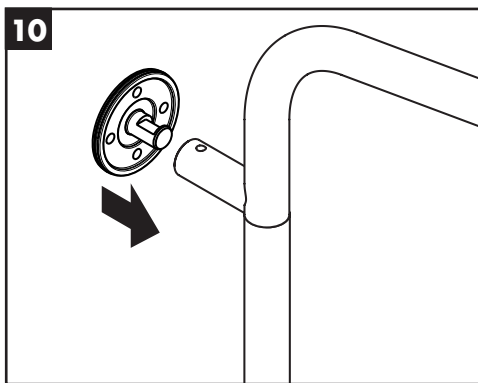
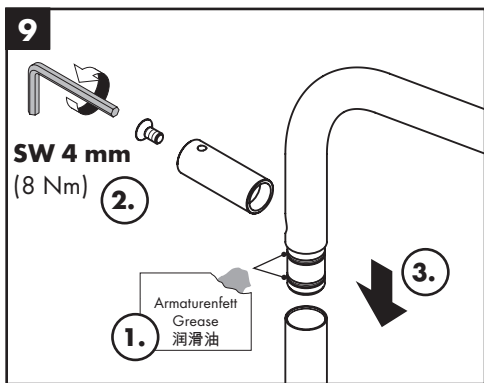
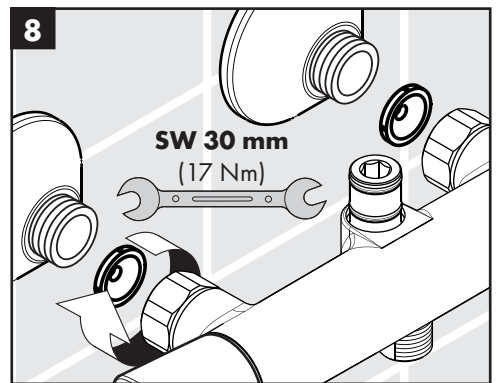
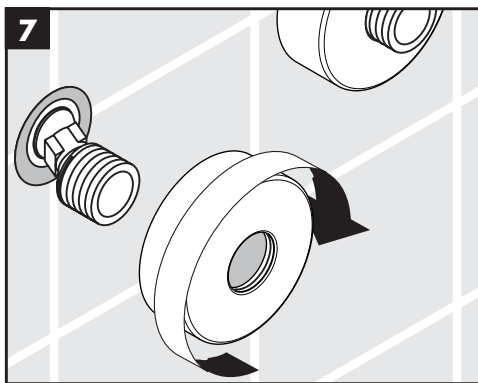
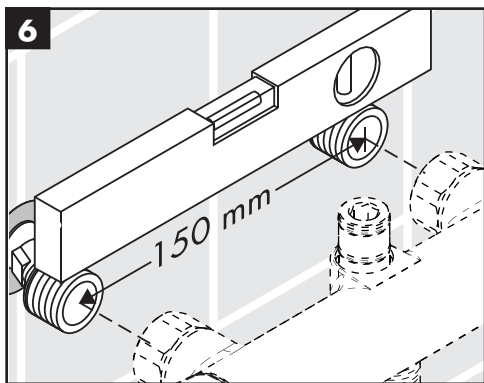
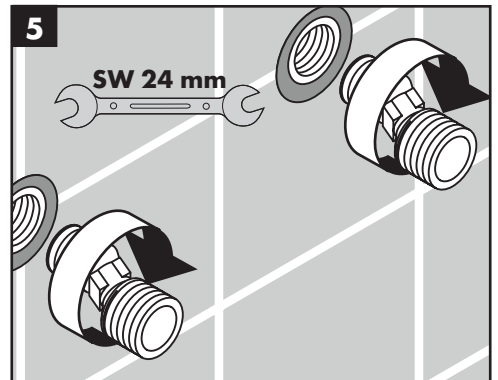
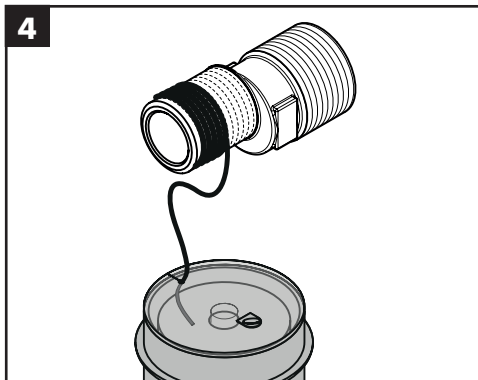
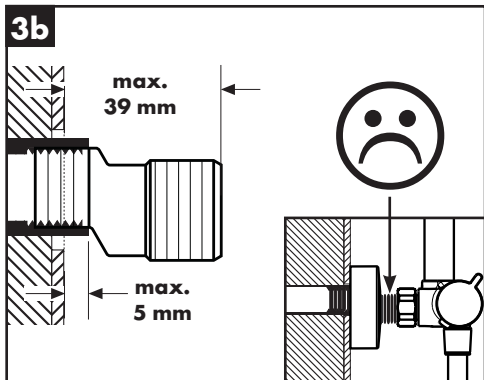
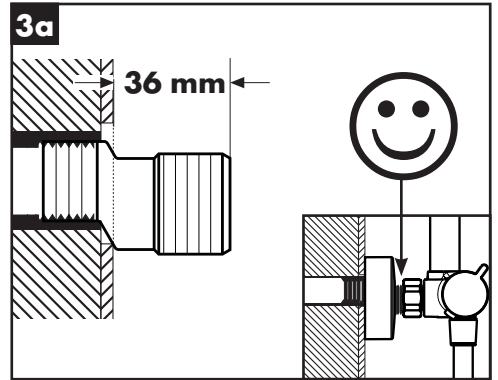
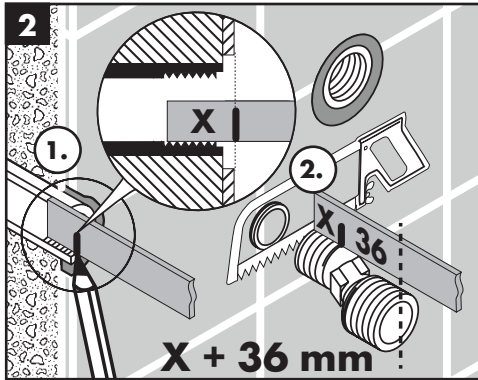
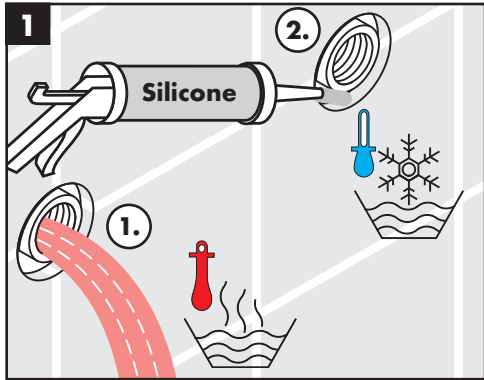


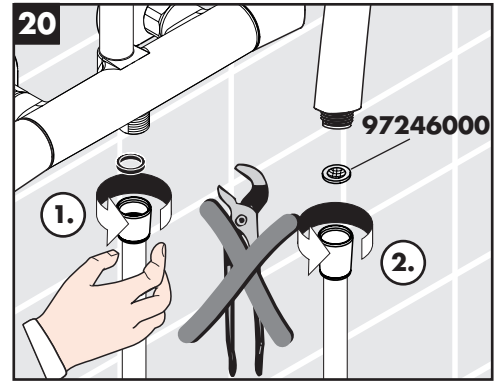
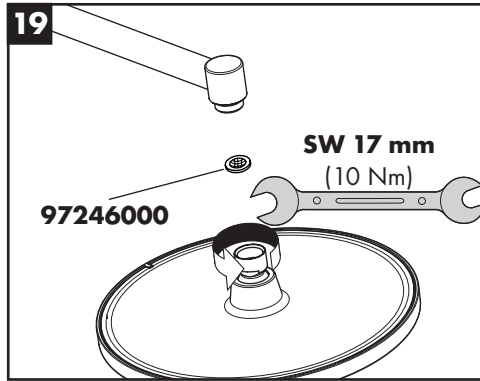
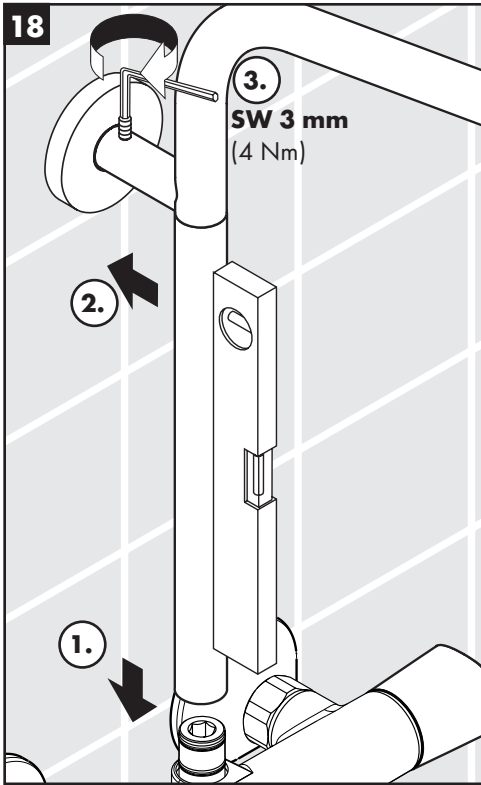
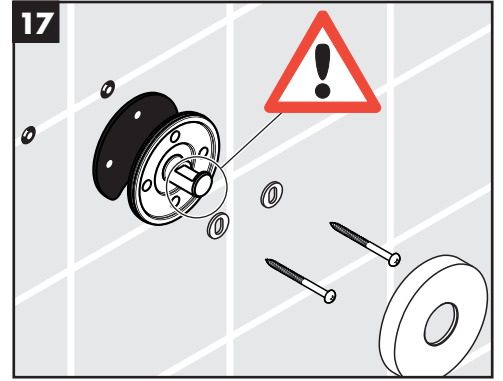
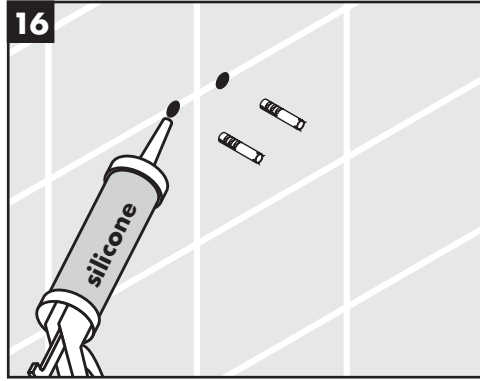
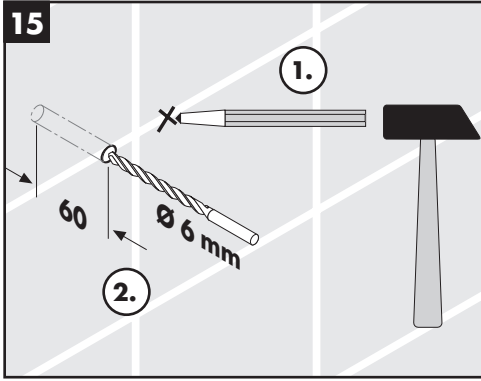
**Operation** (see page 35)

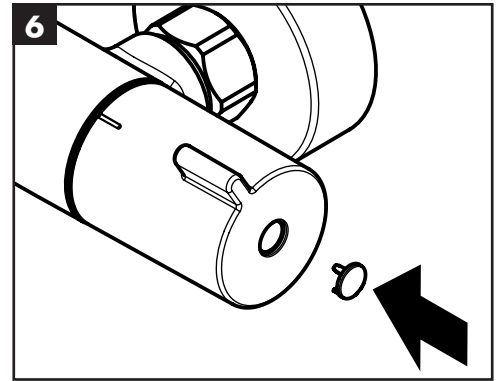
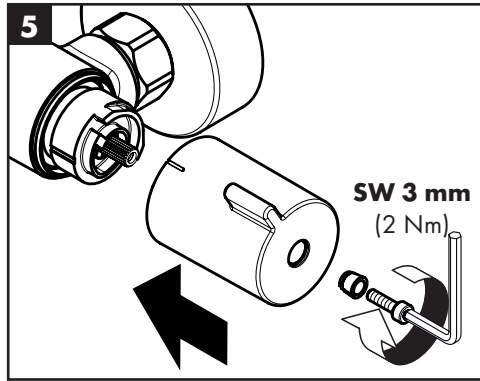
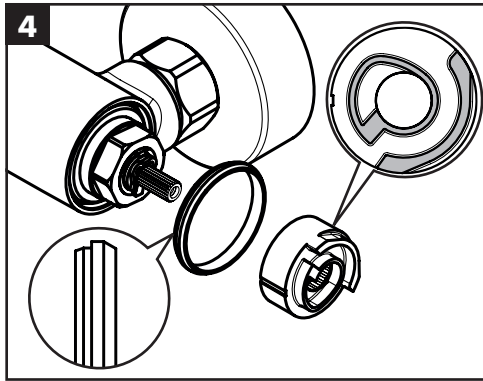
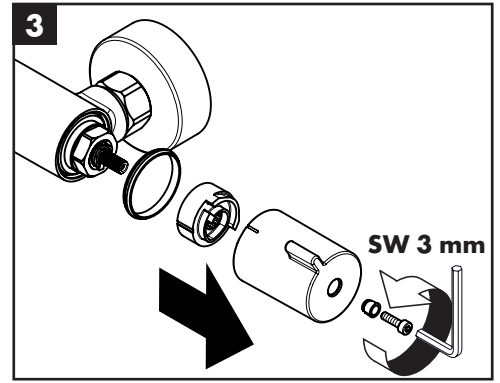
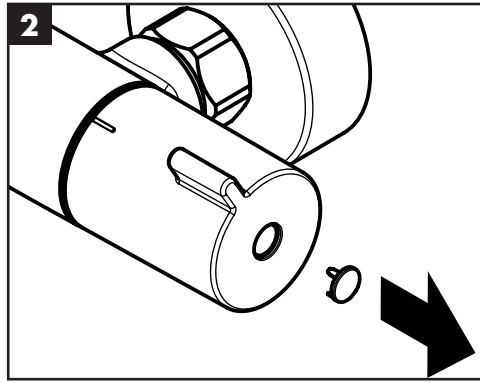
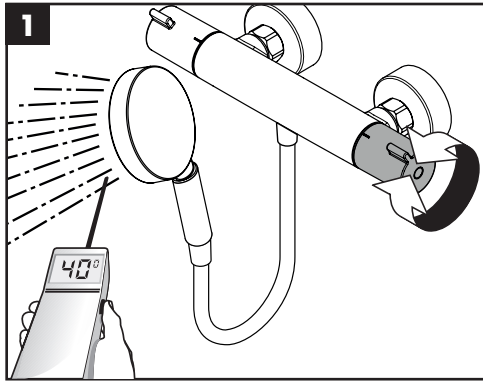
To empty the overhead shower after use, hold it in a slightly inclined position.



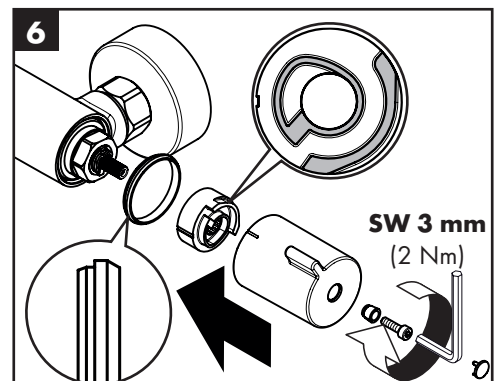
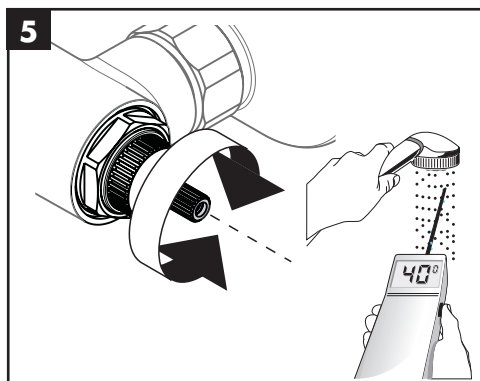
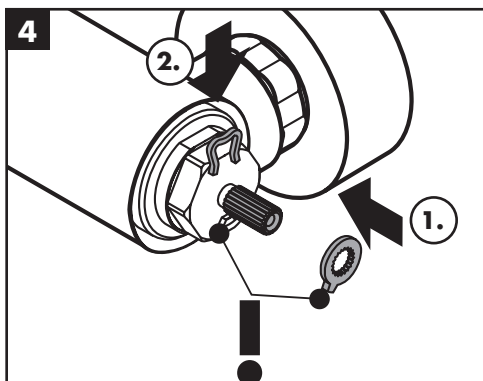
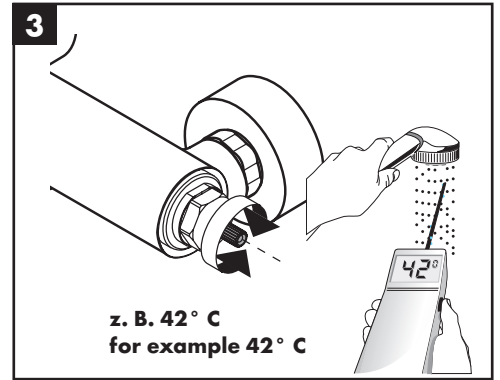
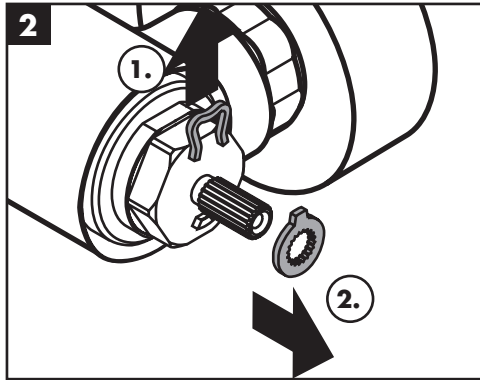
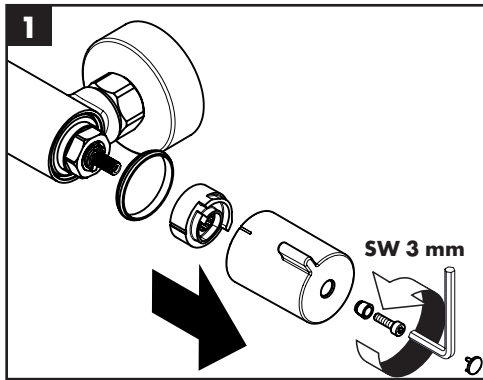
**Test certificate** (see page 41)

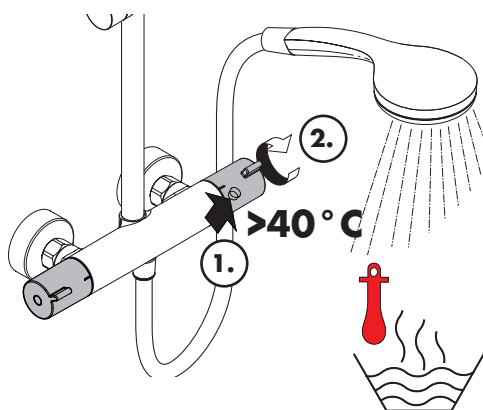
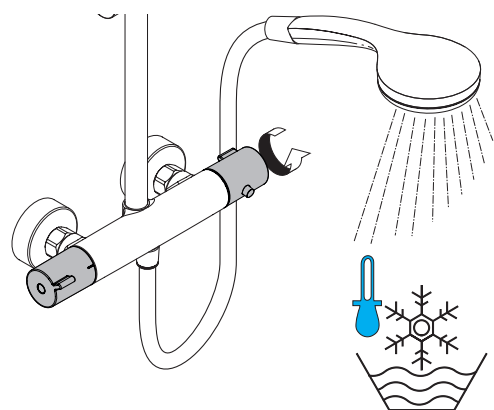
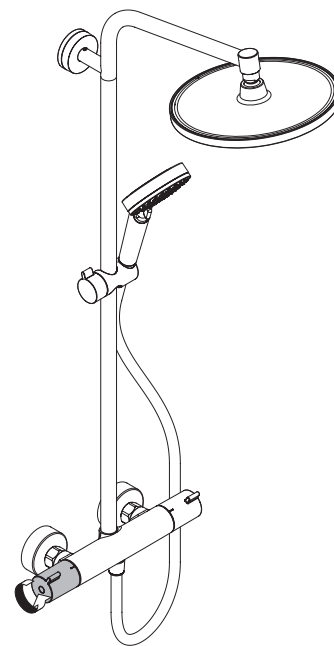
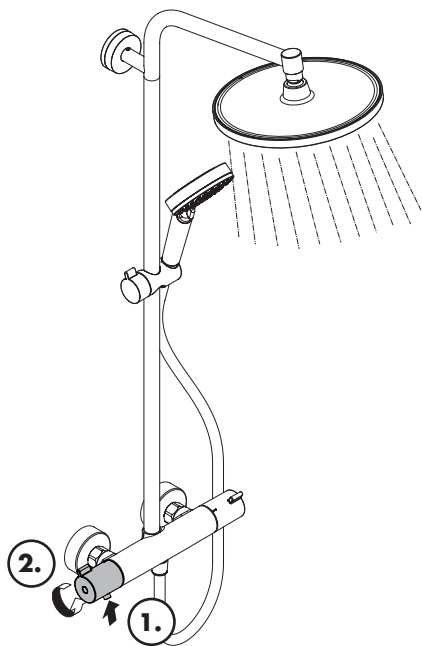
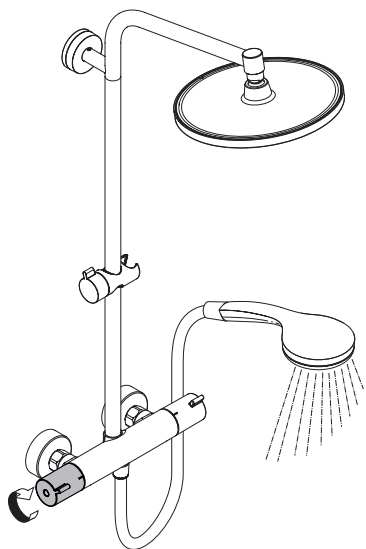




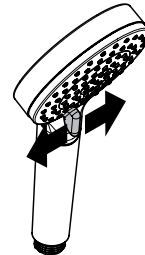


max.  
≈ 42 °C

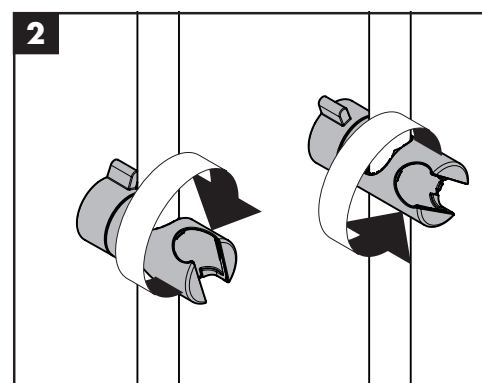
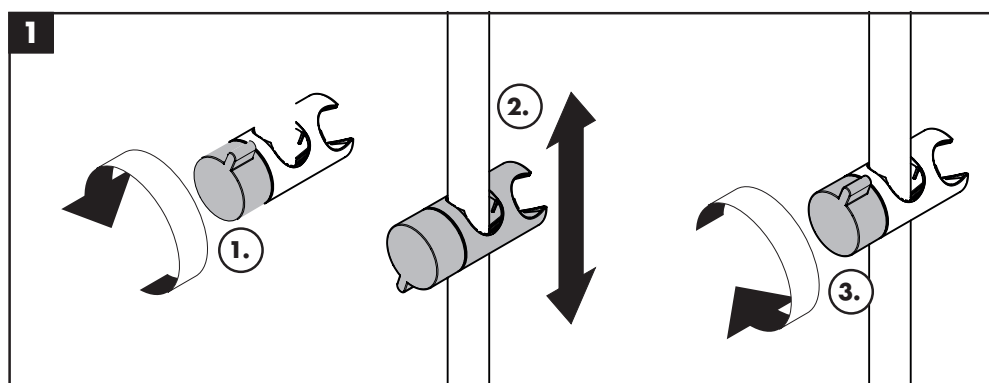
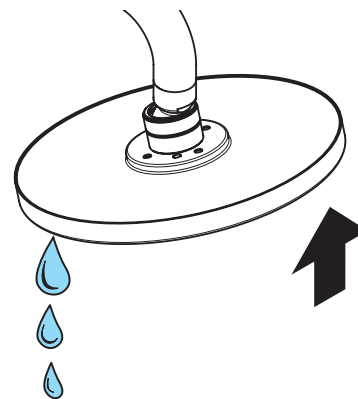




**Crometta Vario EcoSmart 9 l/min**  
26332XXX



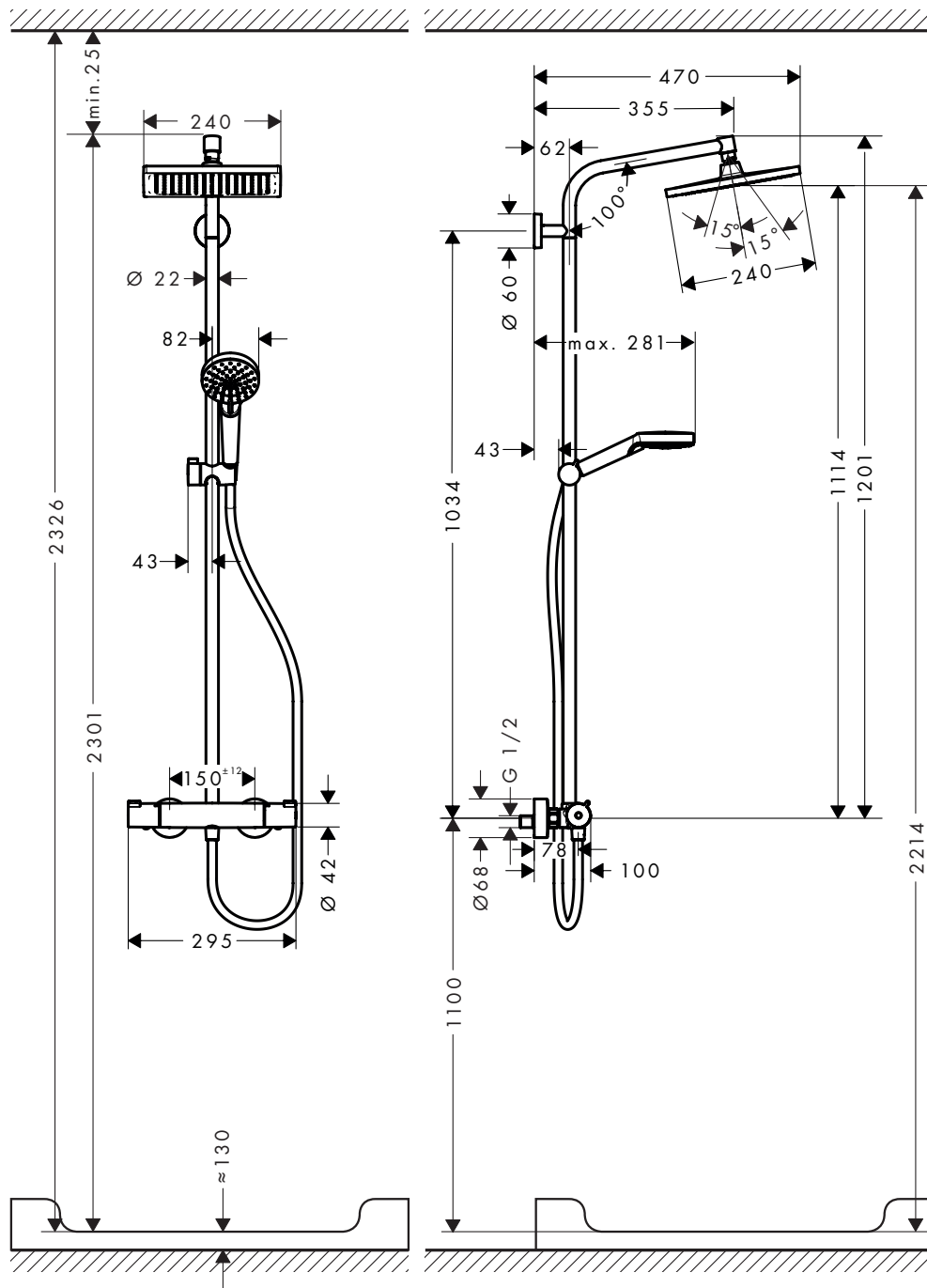
1 Rain 2 IntenseRain





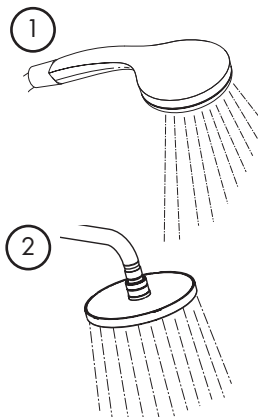
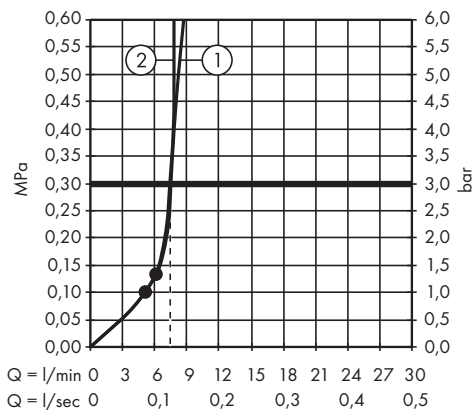
### Crometta E 240 1jet Showerpipe EcoSmart

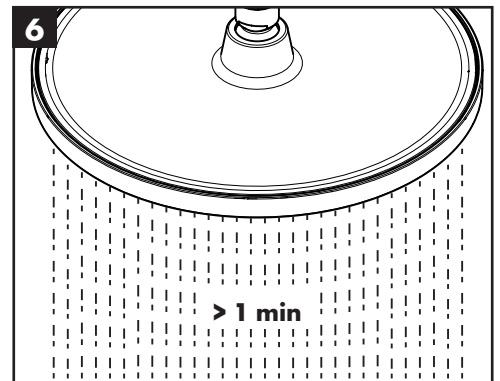
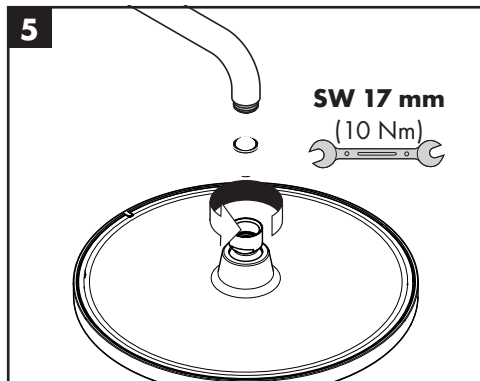
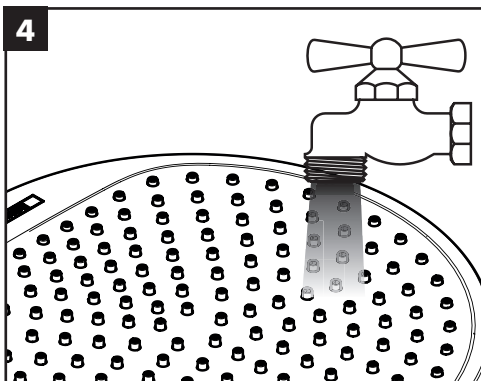
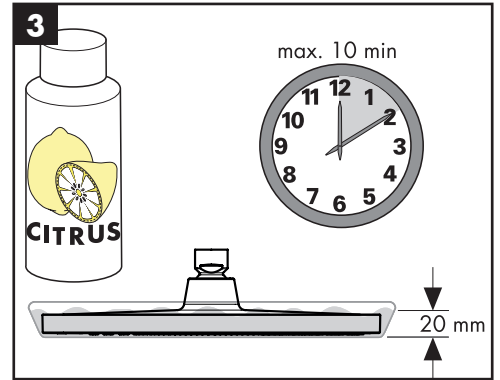
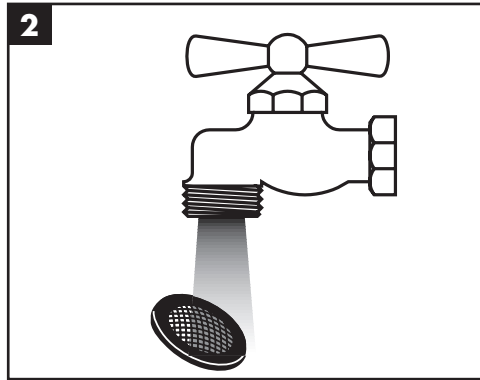
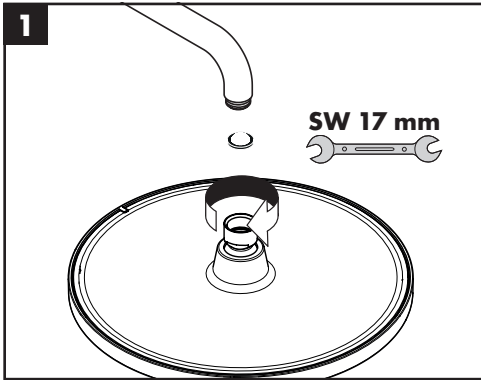
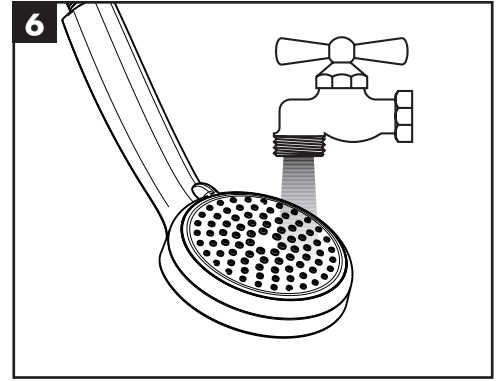
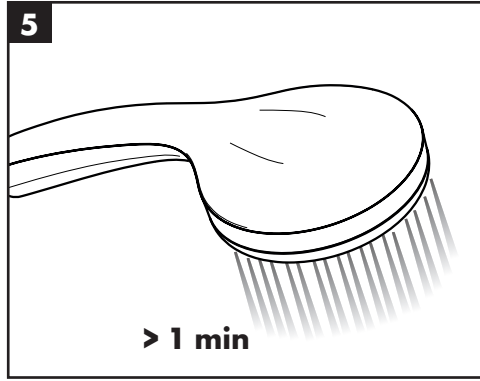
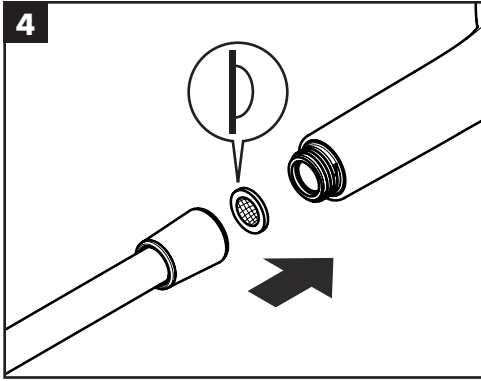
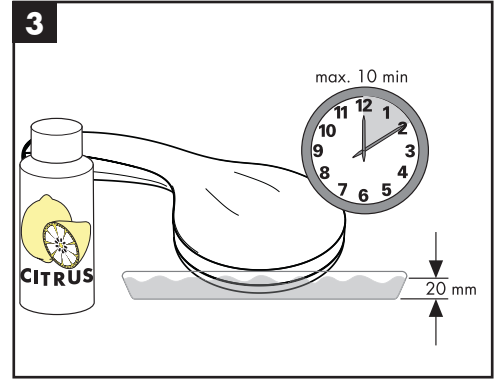
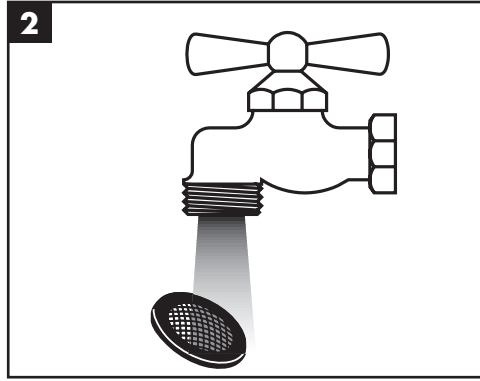
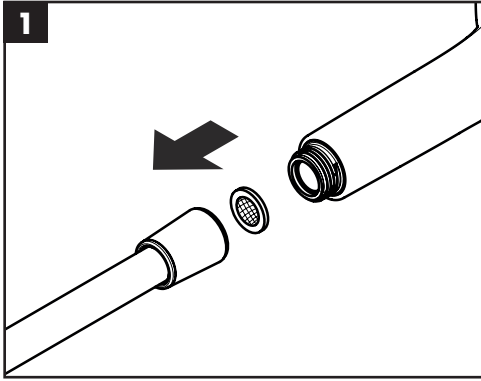
27281XXX / 26596000

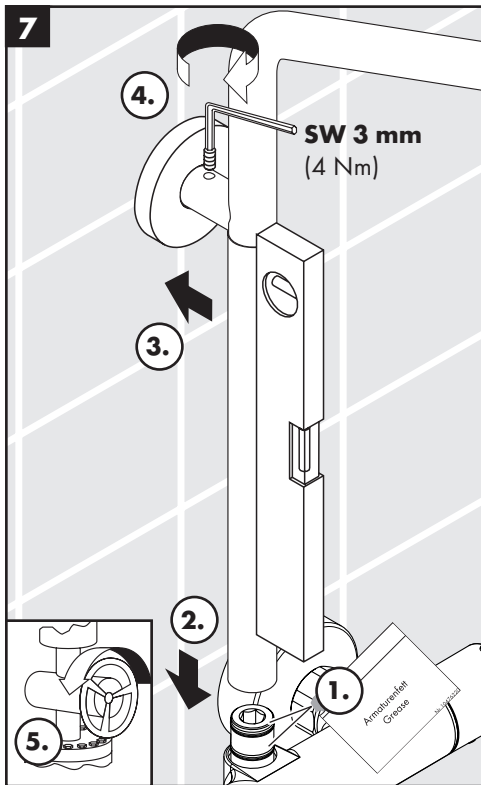
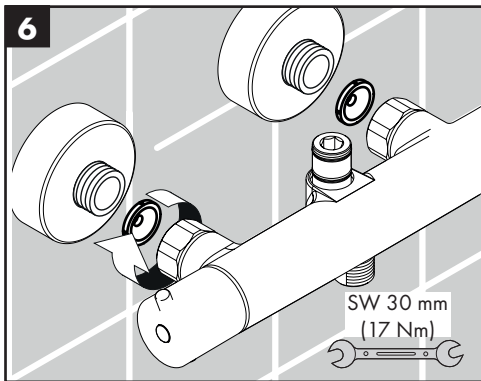
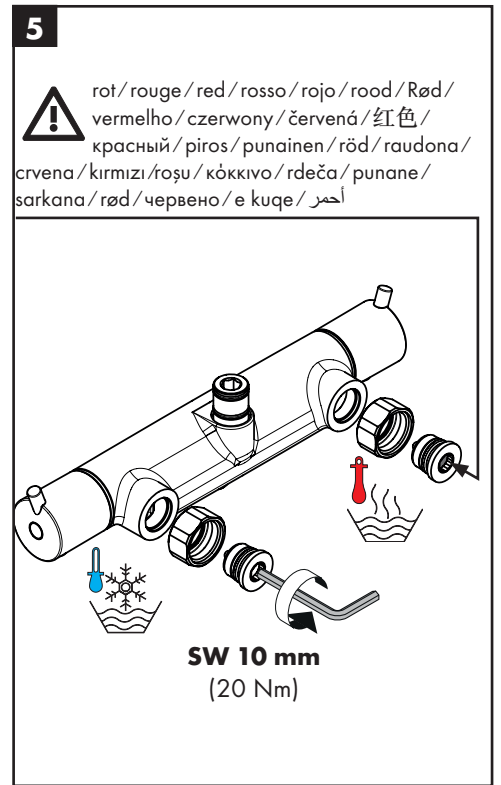
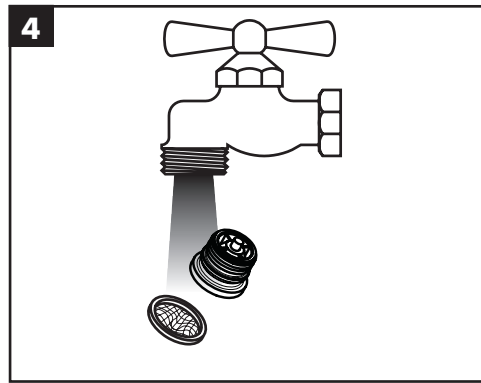
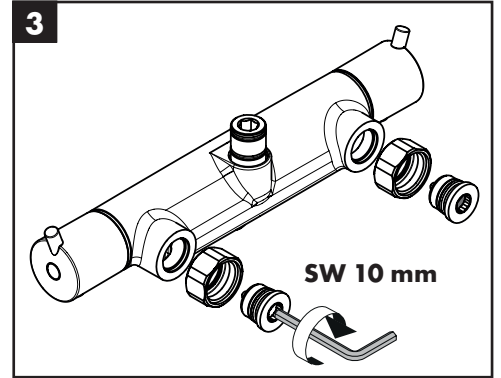
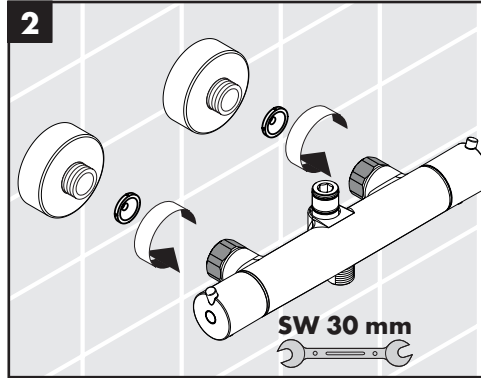
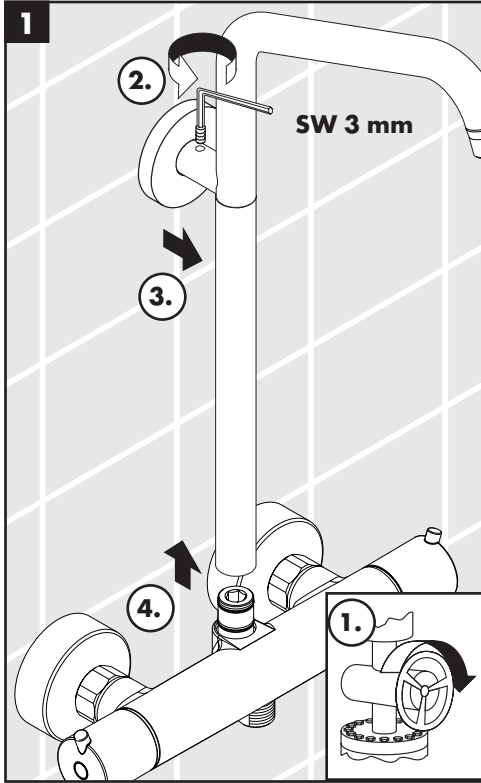


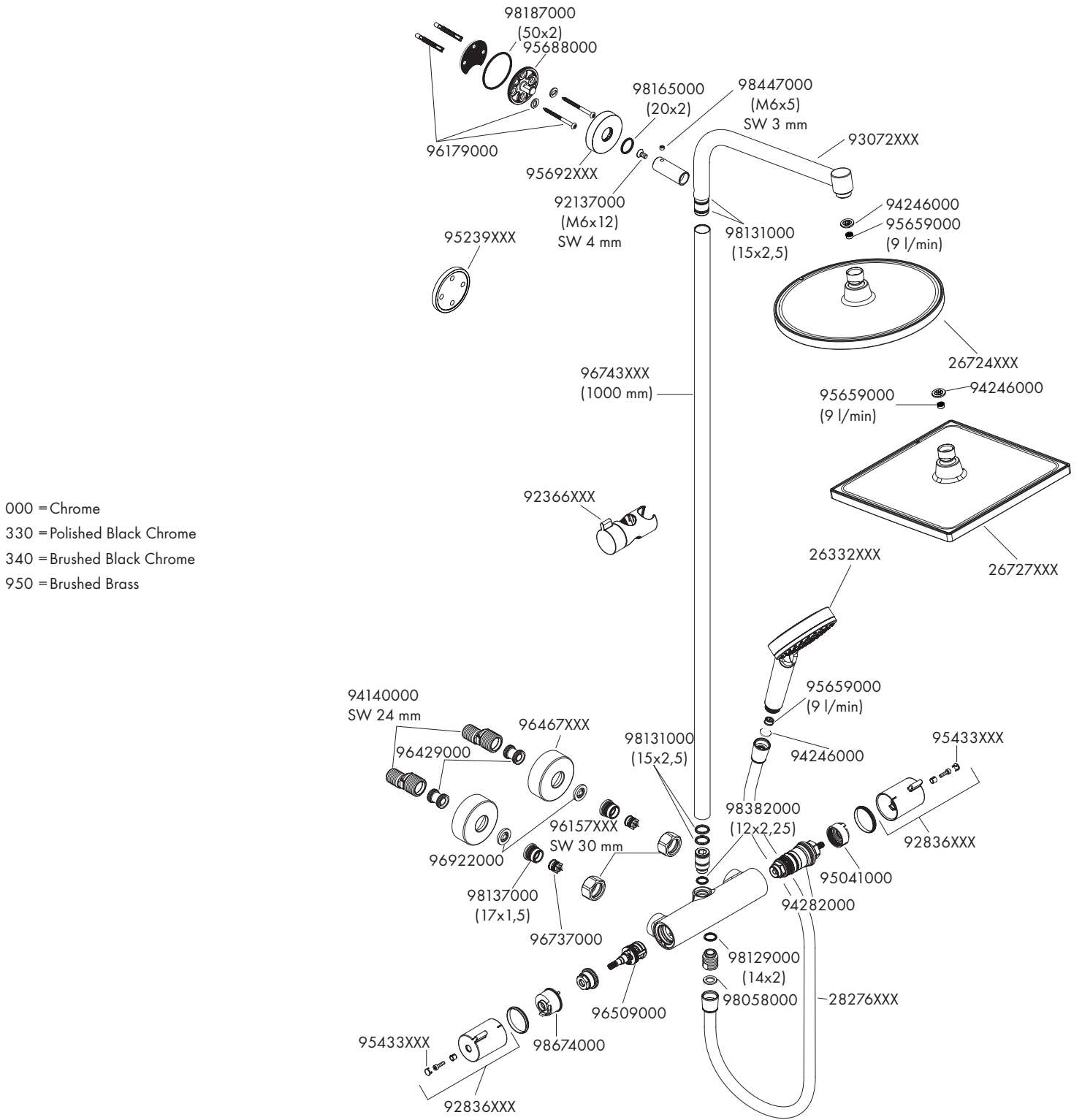
### Crometta E 240 1jet Showerpipe EcoSmart

27281XXX / 26596000









000 = Chrome  
 330 = Polished Black Chrome  
 340 = Brushed Black Chrome  
 950 = Brushed Brass



P-IX	DVGW	SINTEF	NF	STF	CERTIFICATION BODY KIWA	ETA	GODKENDT TIL DRILLEKAVAND
<b>27268XXX</b>			X		X		
<b>27281XXX</b>			X		X		
<b>26596000</b>					X		