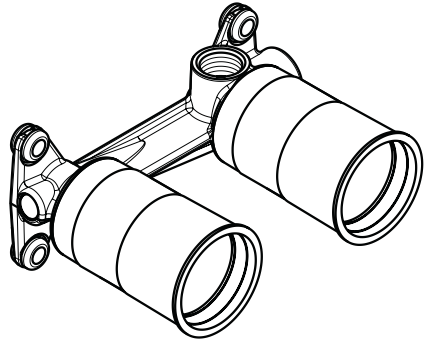


hansgrohe



13622180



Safety Notes

- ⚠️ Gloves should be worn during installation to prevent crushing and cutting injuries.
- ⚠️ The hot and cold supplies must be of equal pressures.

Installation Instructions

- Prior to installation, inspect the product for transport damages. After it has been installed, no transport or surface damage will be honoured.
- The pipes and the fixture must be installed, flushed and tested as per the applicable standards.
- The plumbing codes applicable in the respective countries must be observed.

Symbol description



Do not use silicone containing acetic acid!



Finish set (see page 20)



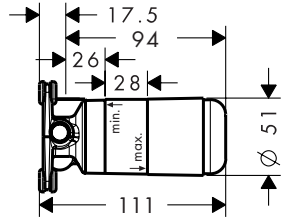
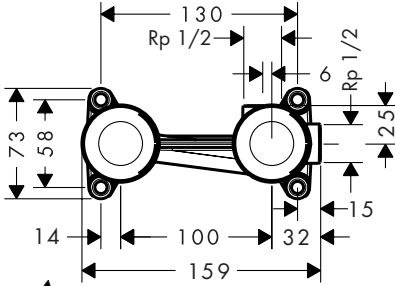
Dimensions (see page 18)



Spare parts (see page 18)



Test certificate (see page 18)



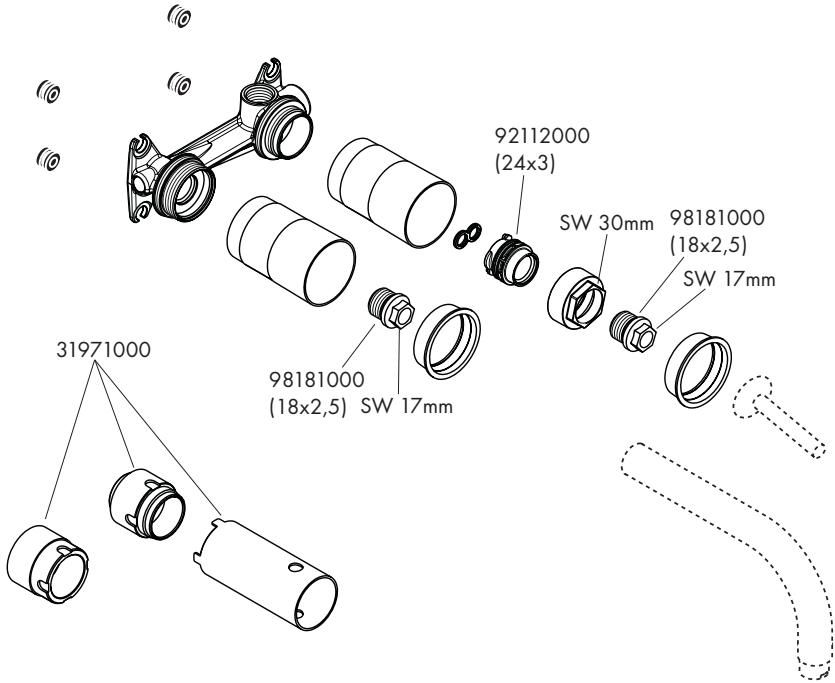
	P-IX	DVGW	SINTEF	NF	CERTIFICATION BODY S T	ETA
13622180	P-IX 28537/IO	CS0564	X	X	X	X

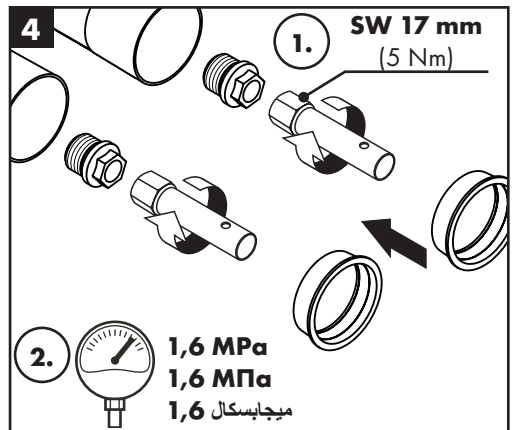
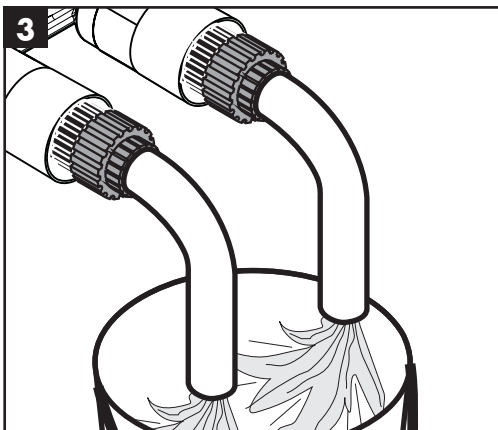
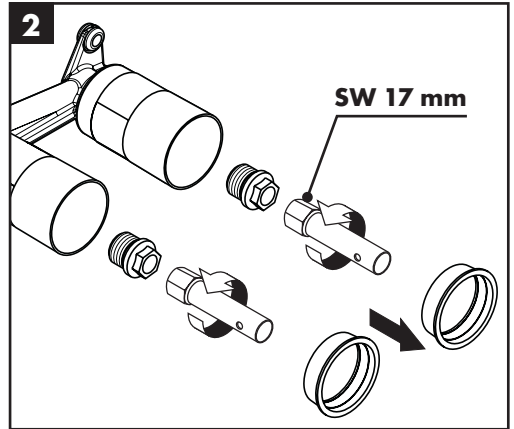
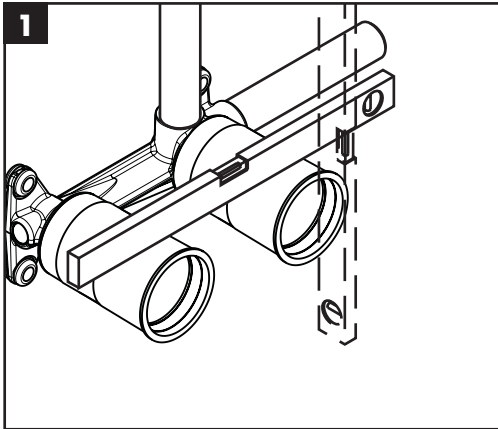
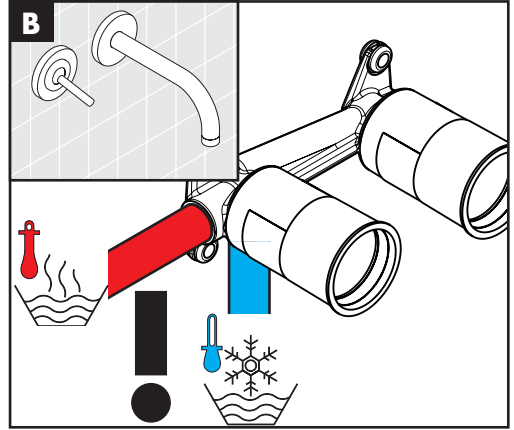
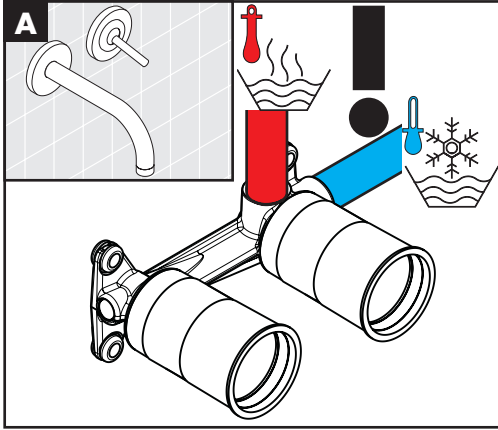
Hansgrohe SE

DIN 4109-1

P-IX 28537/IO

TÜV Rheinland
LGAM
Products

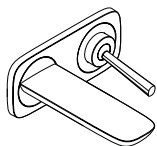






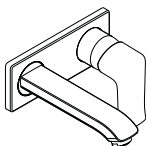
PuraVida

15084XXX / 15085XXX



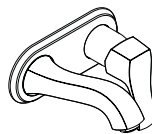
Metris

31085000 / 31251000 /
31086000



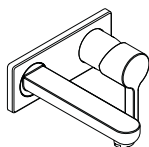
Metris Classic

31000XXX / 31003XXX



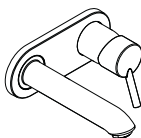
Metris S

31162000 / 31163000



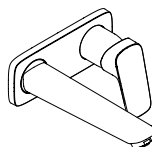
Talis

31618000 / 31620000 /
31611000



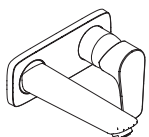
Logis

71220000



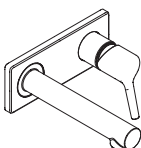
Talis E

71732000 / 71734000



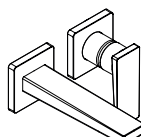
Talis S

72110000 / 72111000



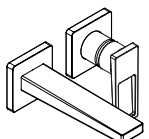
Metropol

32525000 / 32526000



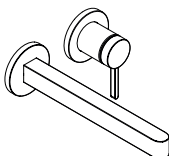
Metropol

74525000 / 74526000



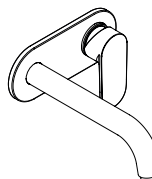
Finoris

76050XXX / 76051XXX



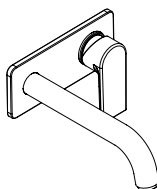
Vernis Blend

71576000



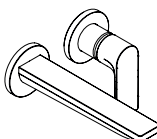
Vernis Shape

71578000



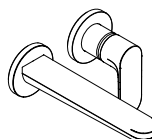
Rebris E

72568XXX



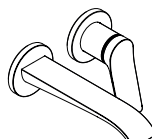
Rebris S

72528XXX



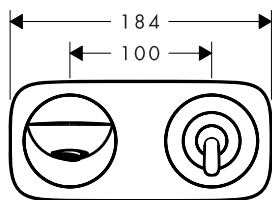
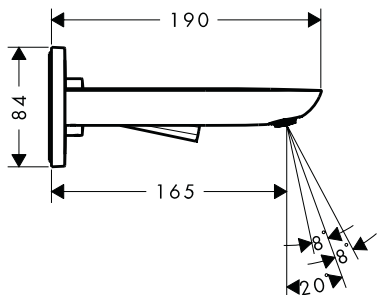
Vivenis

75050XXX

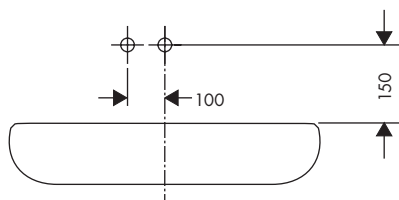
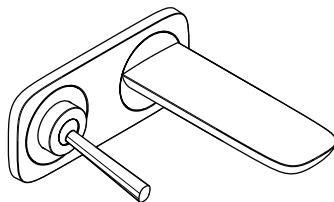
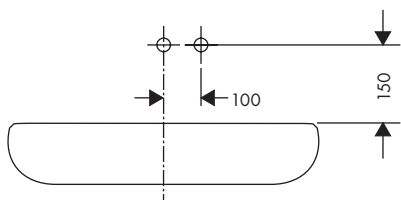
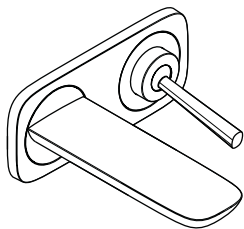
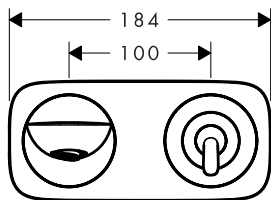
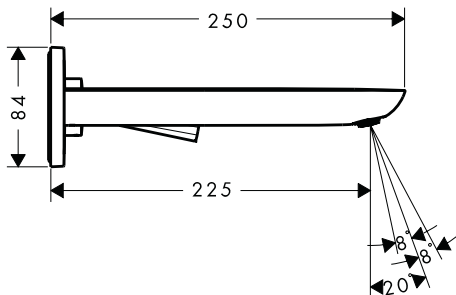




PuraVida
15084XXX



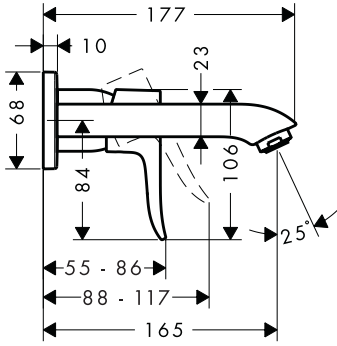
PuraVida
15085XXX





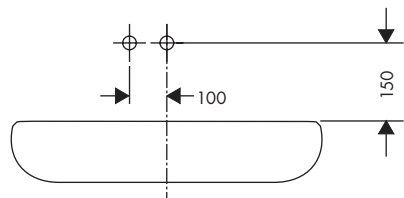
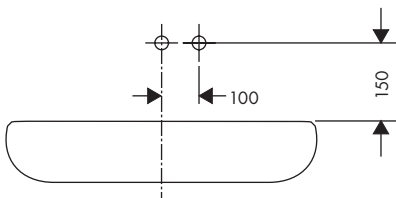
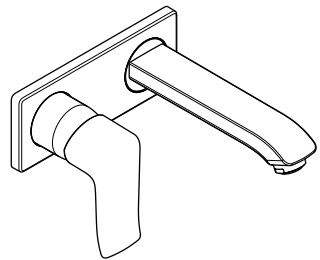
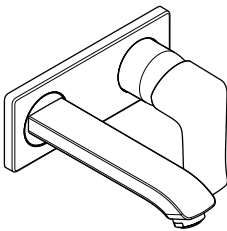
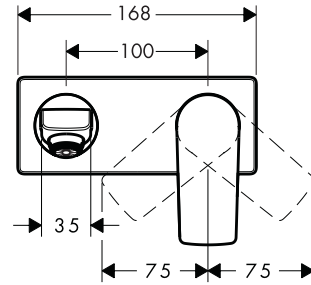
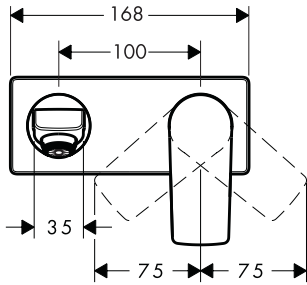
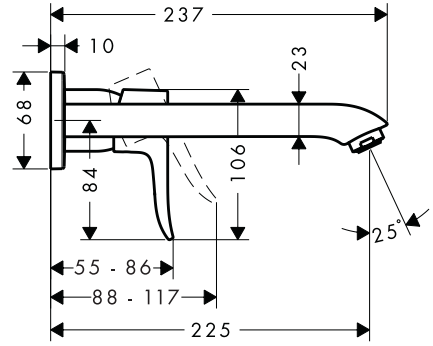
Metris

31085000 / 31251000



Metris

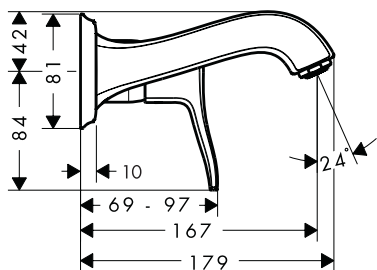
31086000





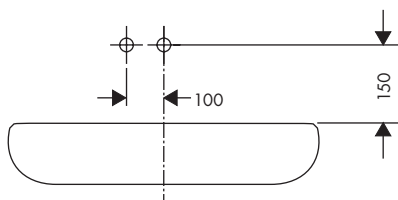
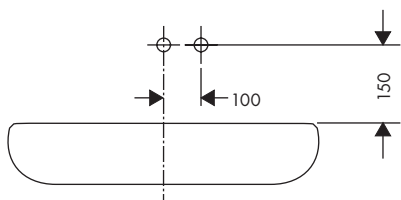
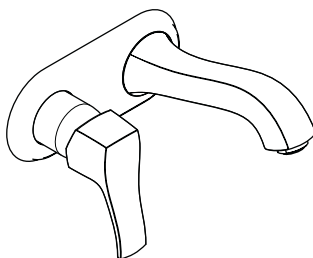
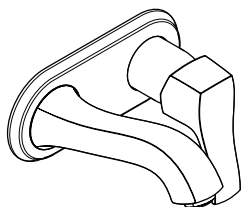
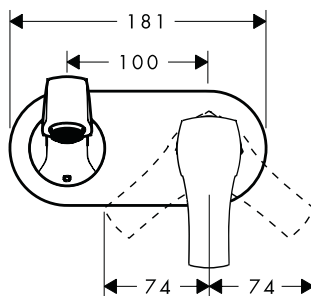
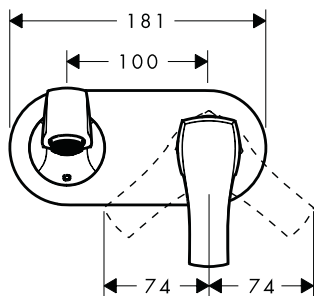
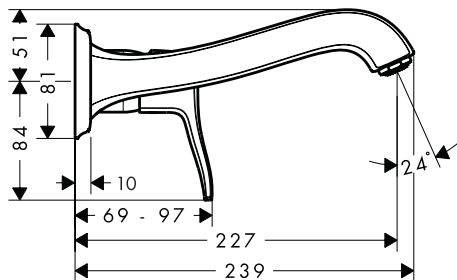
Metris Classic

31000XXX



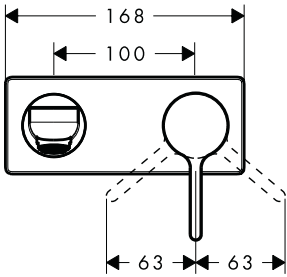
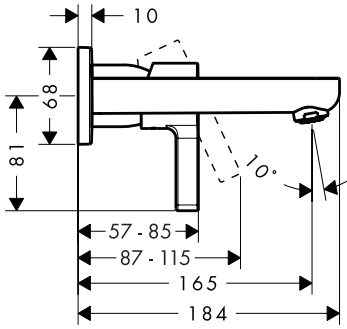
Metris Classic

31003XXX

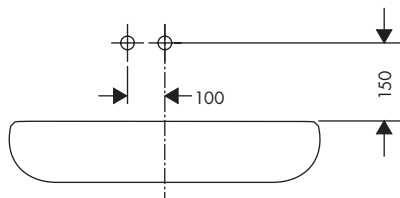
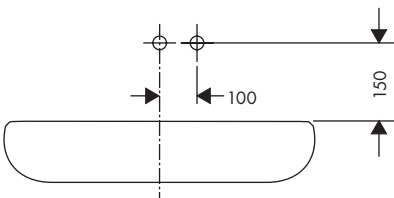
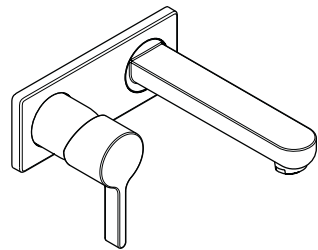
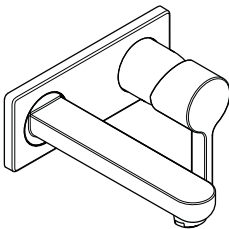
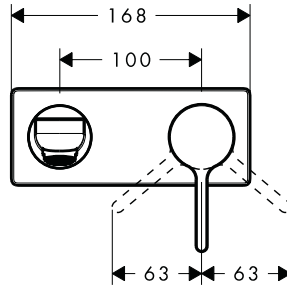
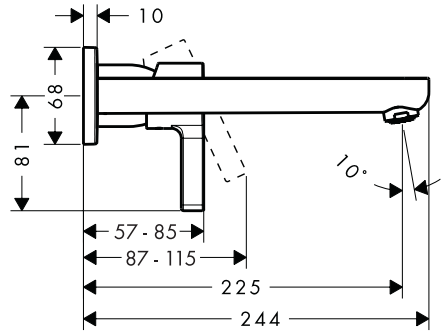




Metris S
31162000

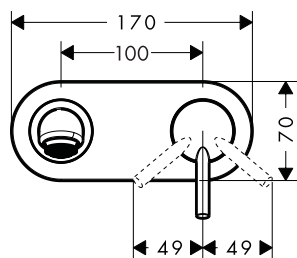
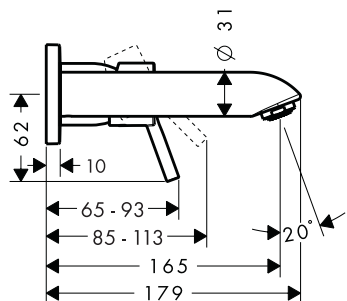


Metris S
31163000

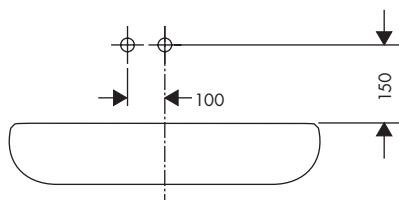
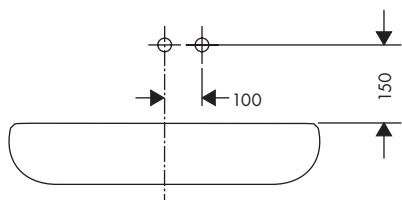
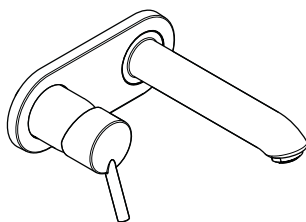
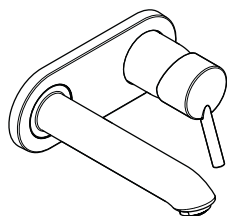
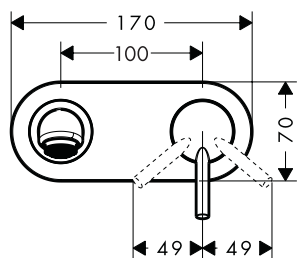
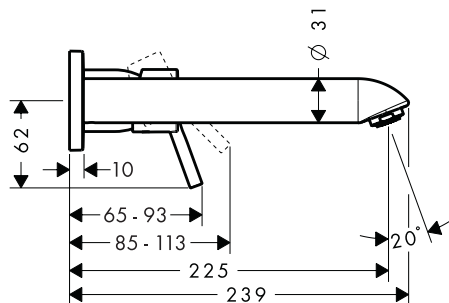




Talis
31618000 / 31620000



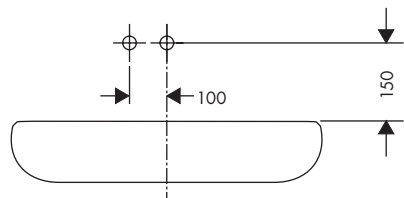
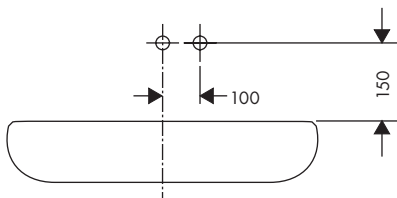
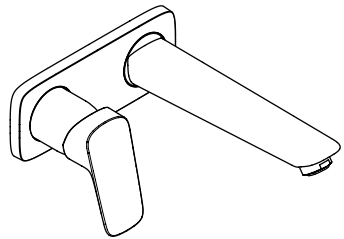
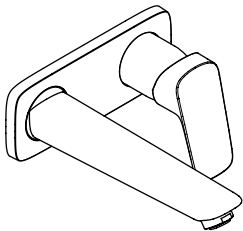
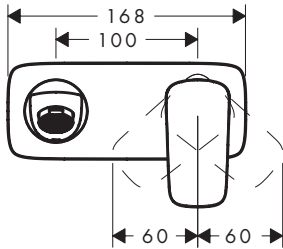
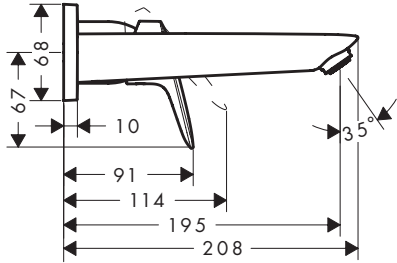
Talis
31611000





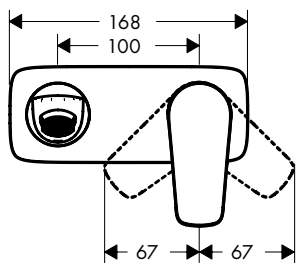
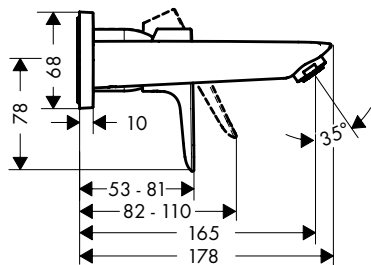
Logis

71220000

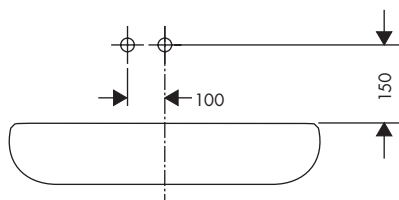
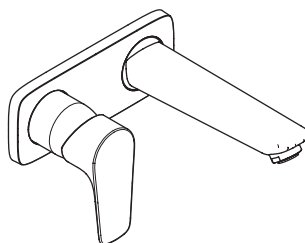
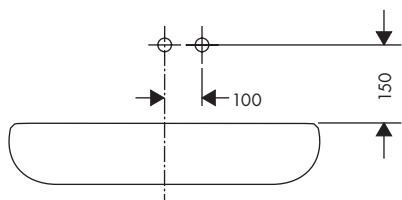
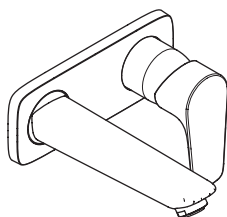
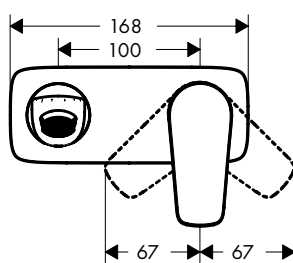
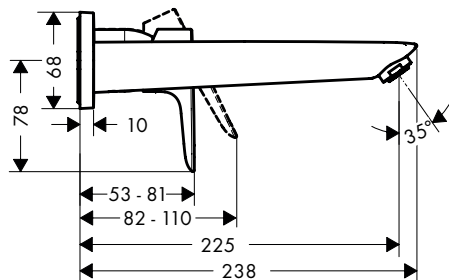




Talis E
71732000

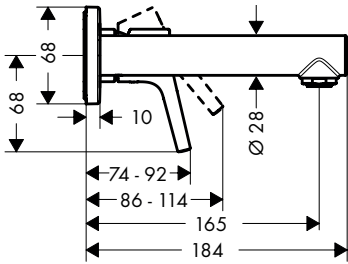


Talis E
71734000

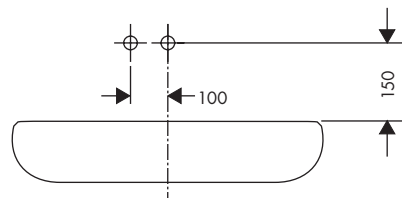
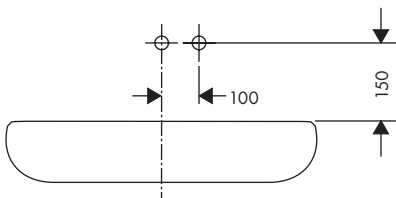
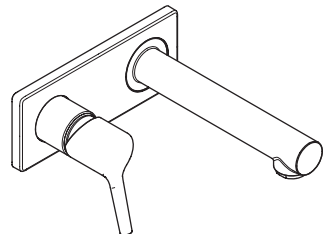
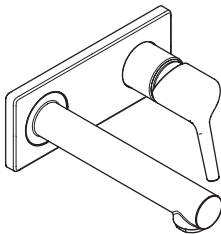
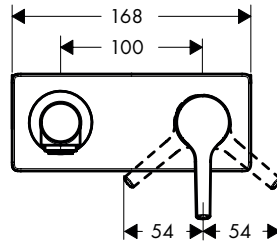
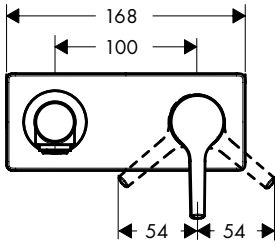
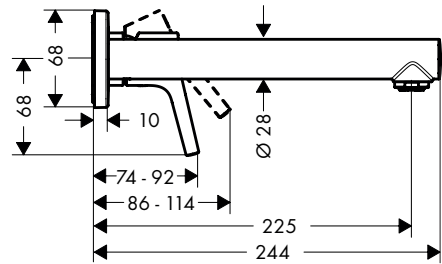




Talis S
72110000

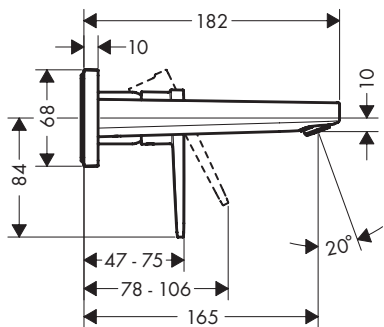


Talis S
72111000

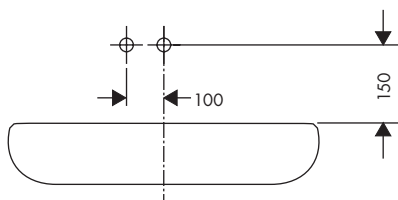
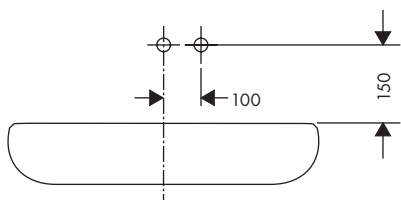
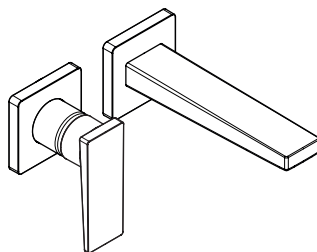
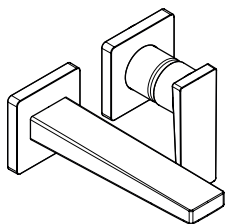
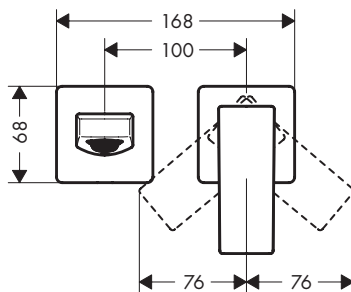
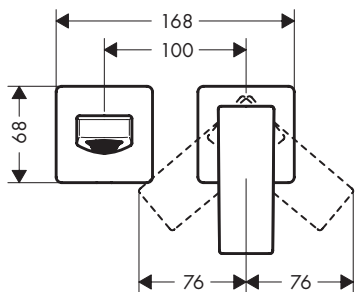
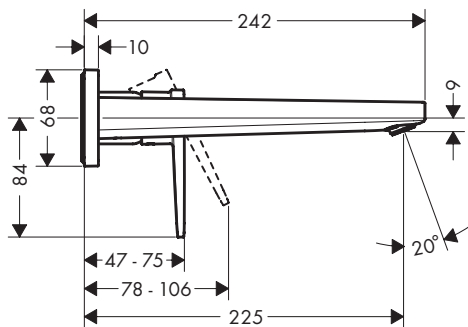




Metropol
32525000

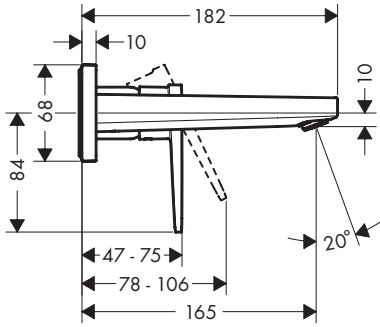


Metropol
32526000

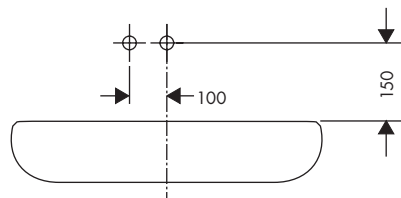
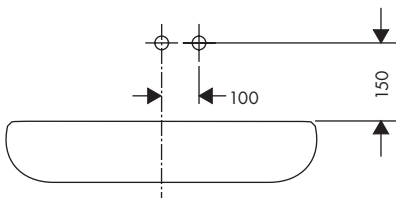
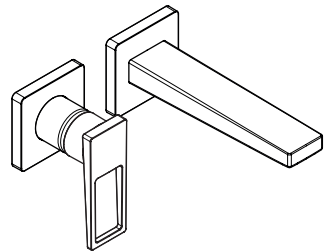
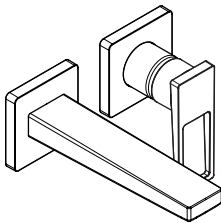
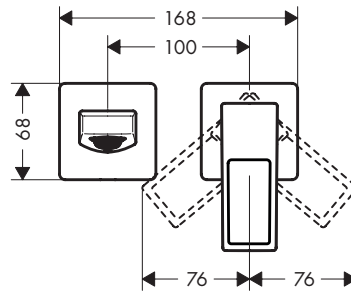
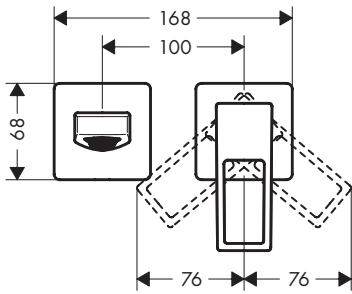
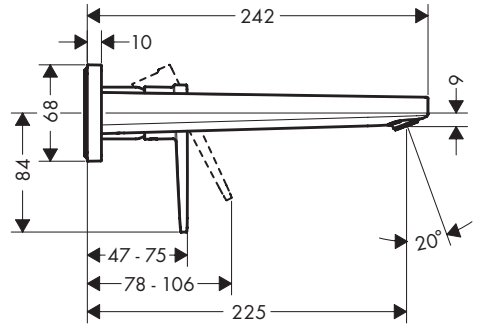




Metropol
74525000

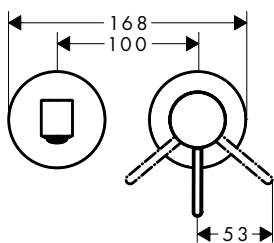
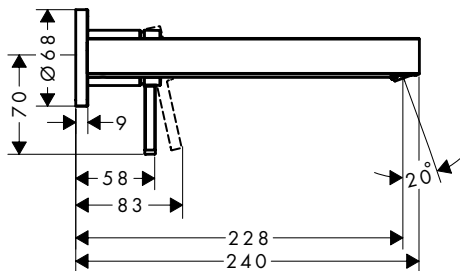


Metropol
74526000

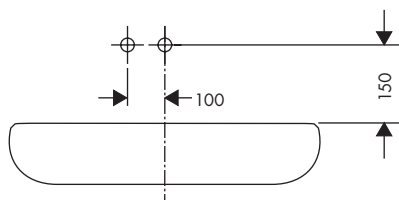
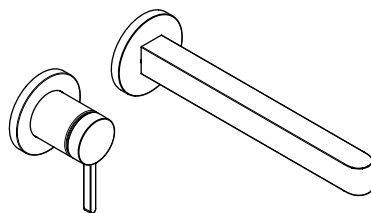
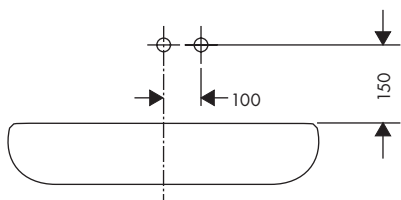
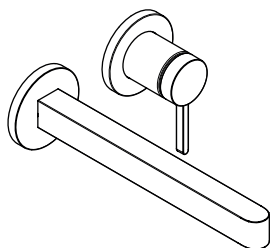
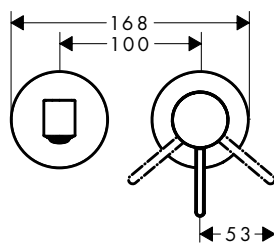
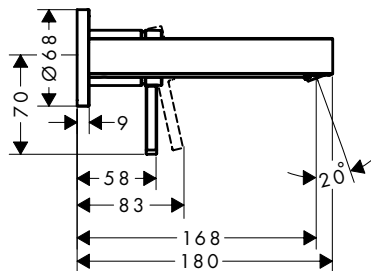




Finoris
76050XXX



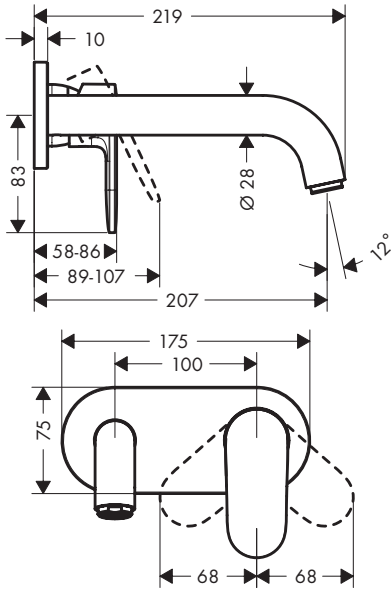
Finoris
76051XXX





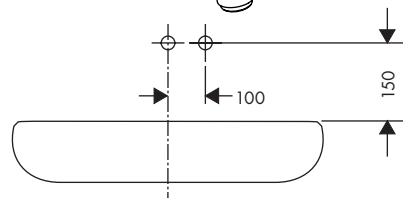
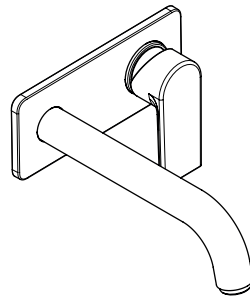
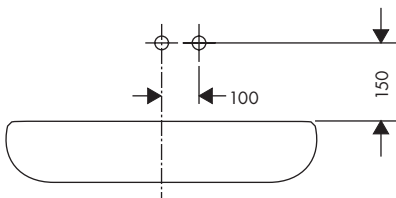
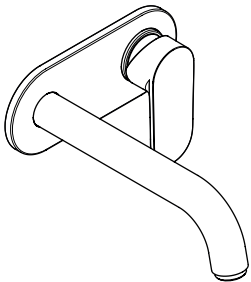
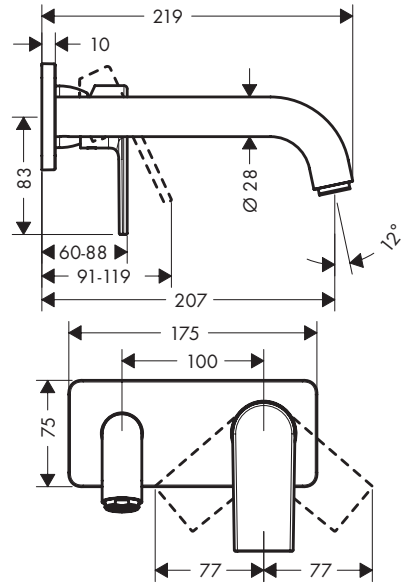
Vernis Blend

71576000



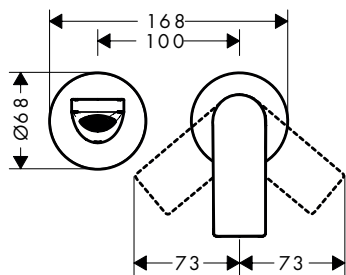
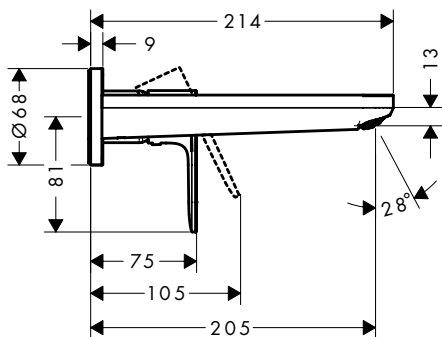
Vernis Shape

71578000

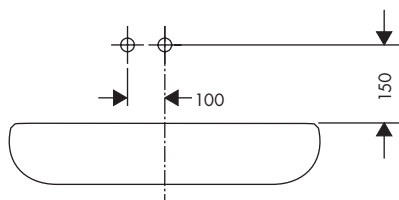
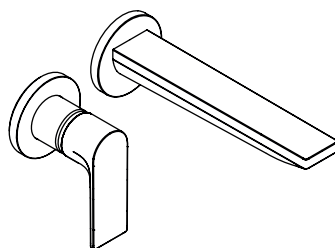
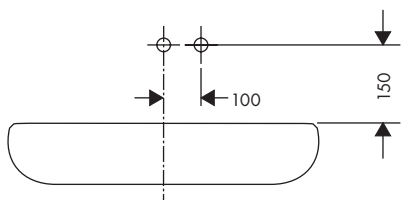
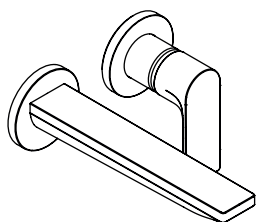
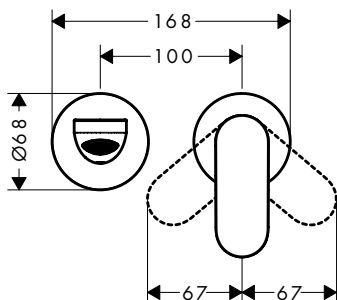
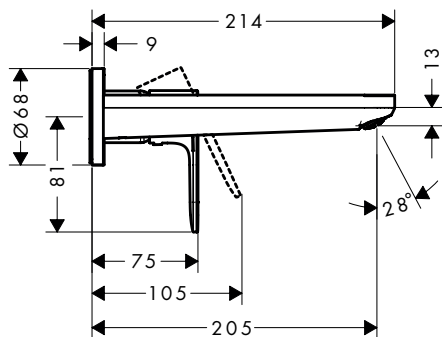




Rebris E
72568XXX

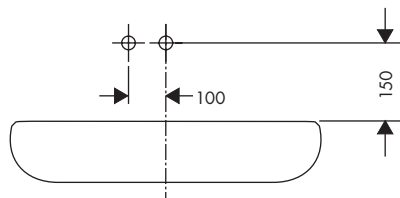
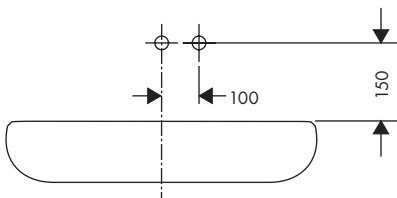
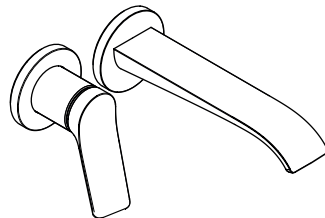
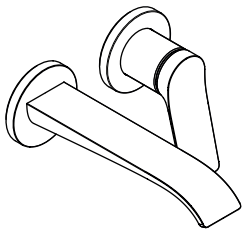
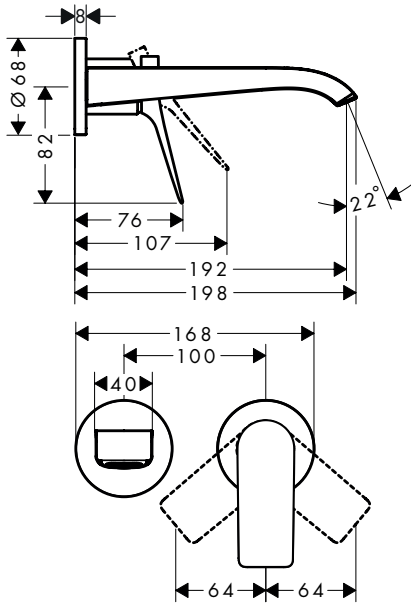


Rebris S
72528XXX





Vivenis
75050XXX



hansgrohe

Hansgrohe · AuestraÙe 5 · 9 · D-77761 Schiltach · Telefon +49 (0) 78 36/51-1282 · Telefax +49 (0) 7836/511440
E-Mail: info@hansgrohe.com · Internet: www.hansgrohe.com

07/2022
9_01079_03 R01