

1343718X



Safety Notes

- ⚠️ Gloves should be worn during installation to prevent crushing and cutting injuries.
- ⚠️ The product may only be used for bathing, hygienic and body cleaning purposes.
- ⚠️ The hot and cold supplies must be of equal pressures.

Installation Instructions


- Prior to installation, inspect the product for transport damages. After it has been installed, no transport or surface damage will be honoured.
- The pipes and the fixture must be installed, flushed and tested as per the applicable standards.
- The plumbing codes applicable in the respective countries must be observed.
- If the Secuflex-Box is installed improperly or not at all, the warranty will become invalid.

Technical Data

Operating pressure:	max. 1 MPa
Recommended operating pressure:	0,1 - 0,5 MPa
Test pressure:	1,6 MPa (1 MPa = 10 bar = 147 PSI)
Hot water temperature:	max. 60 °C
Rate of flow by 0,3 MPa:	approx. 22 l/min
Connections G 1/2:	cold right - hot left
Thermal disinfection:	70 °C / 4 min

The product is exclusively designed for drinking water!

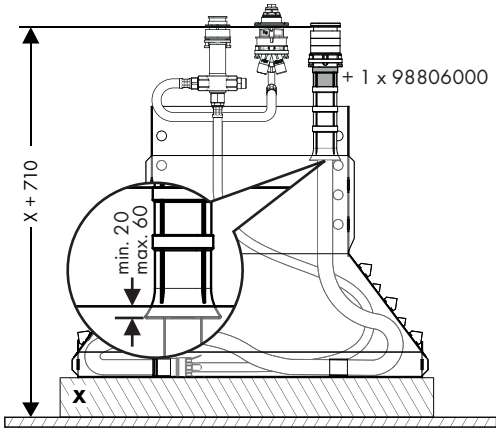
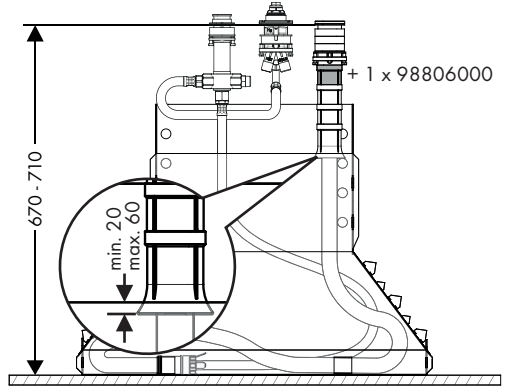
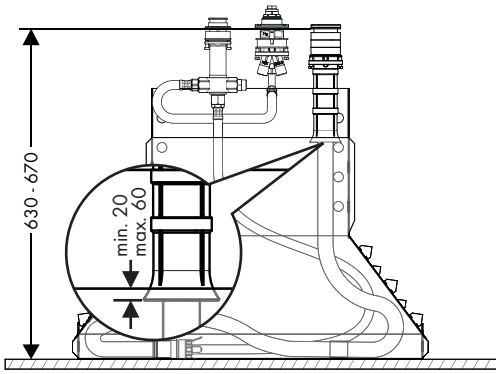
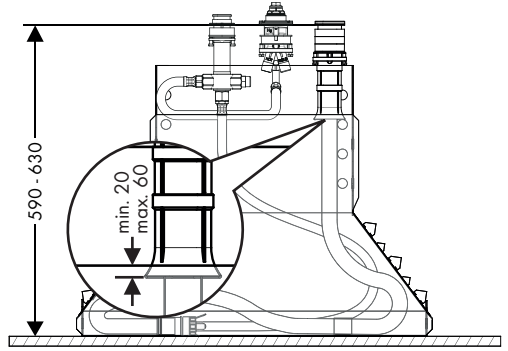
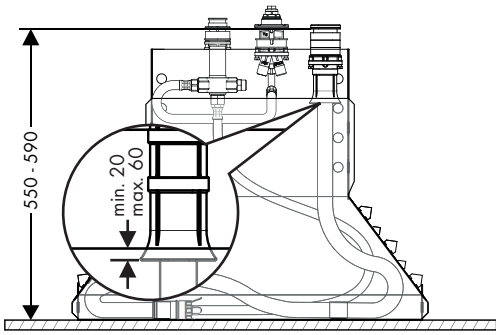
Symbol description

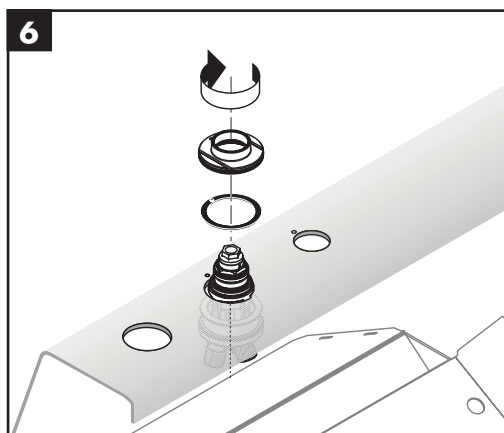
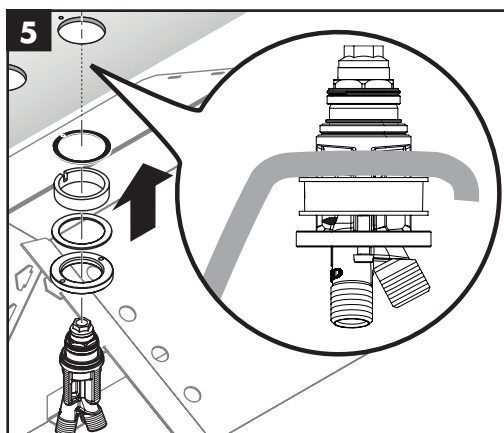
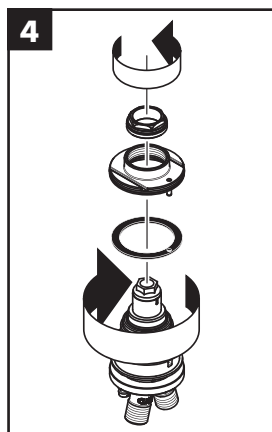
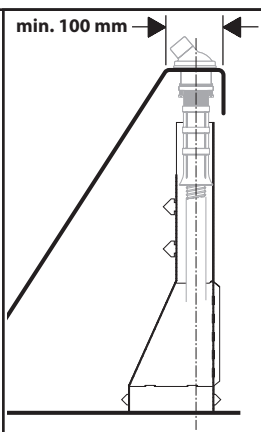
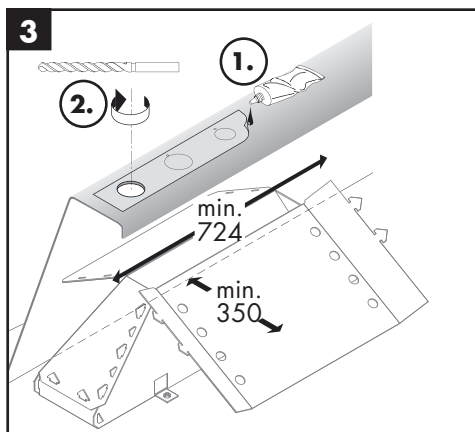
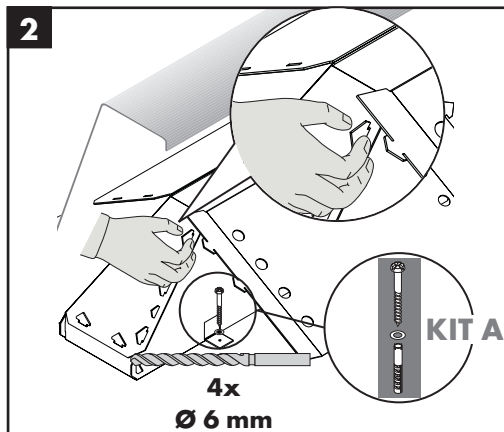
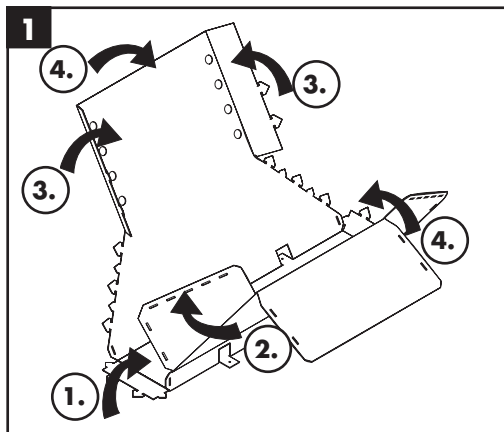
 Do not use silicone containing acetic acid!

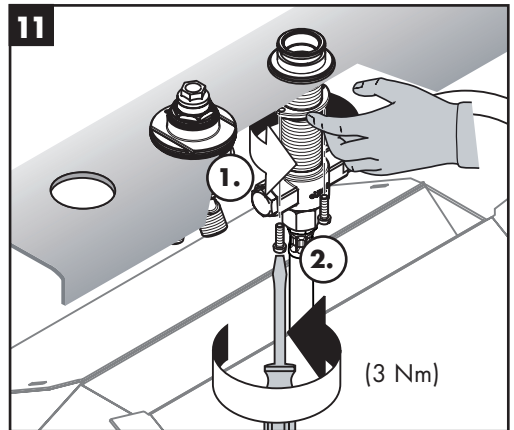
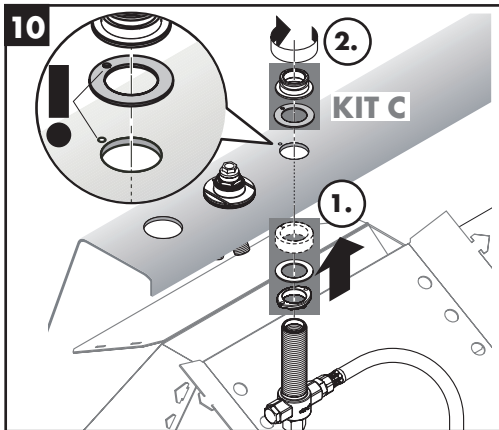
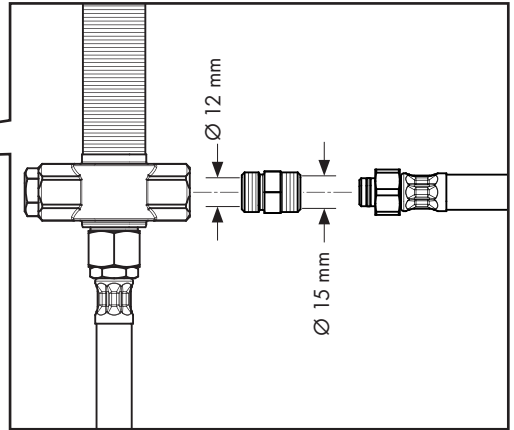
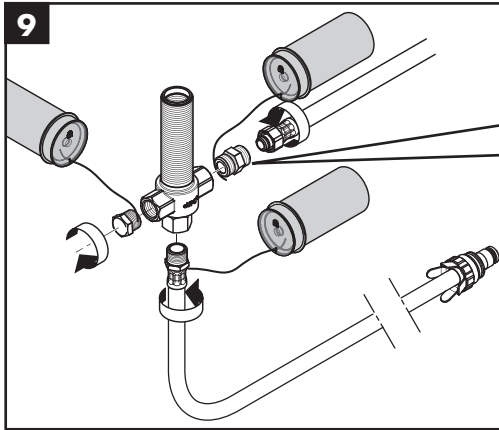
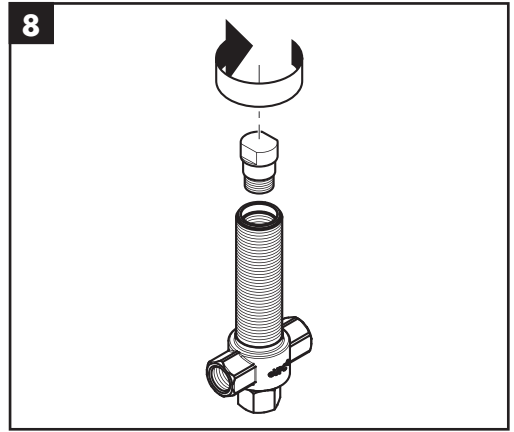
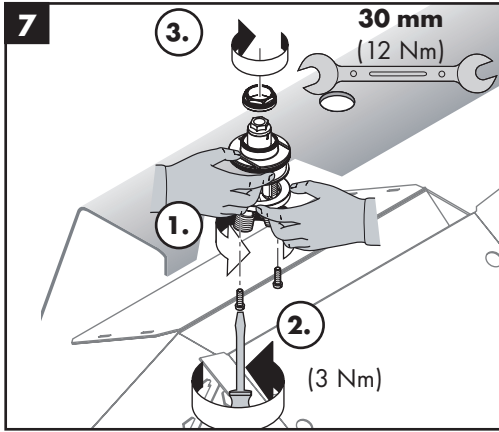
 **Dimensions** (see page 24)

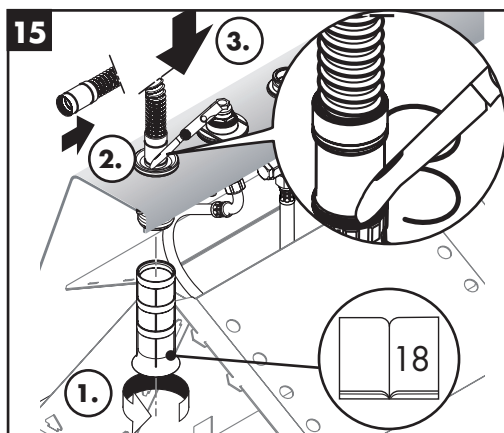
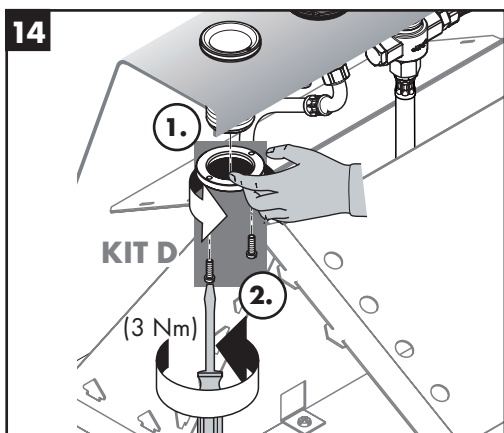
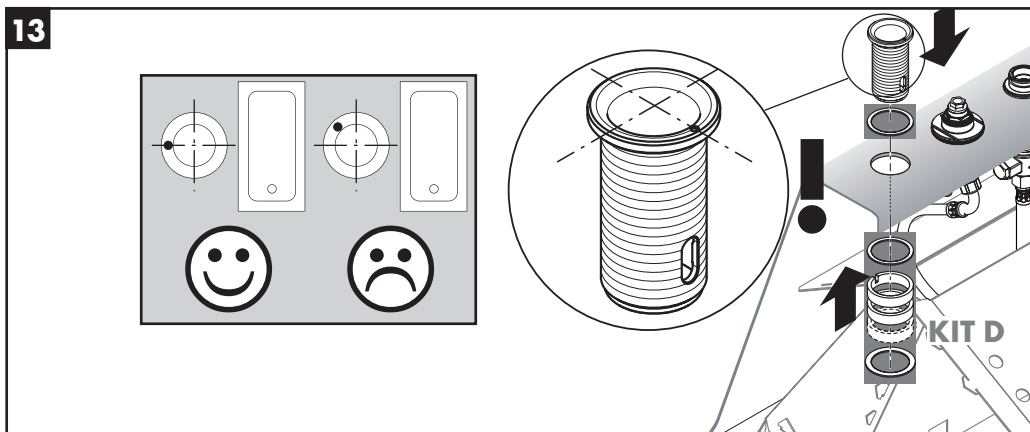
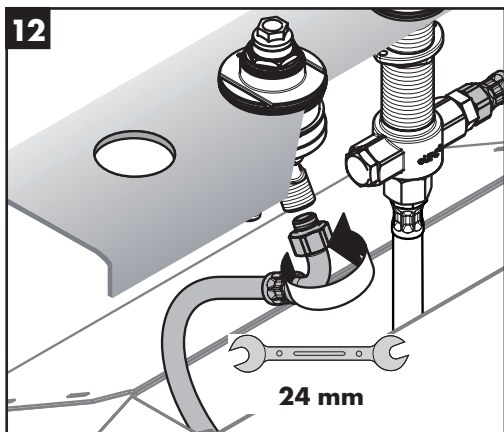
 **Spare parts** (see page 23)

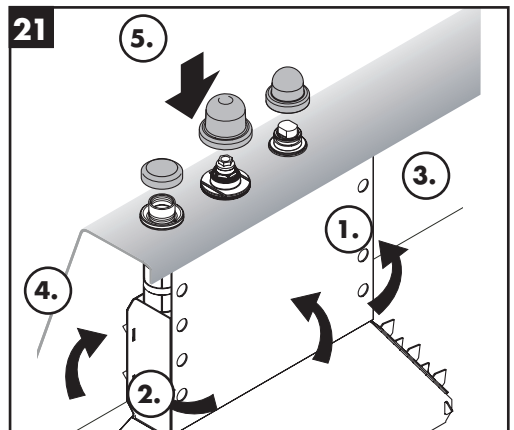
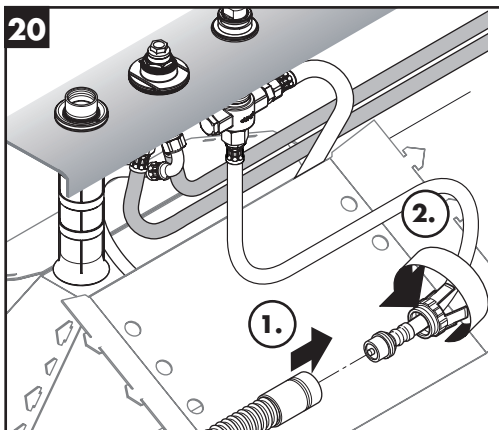
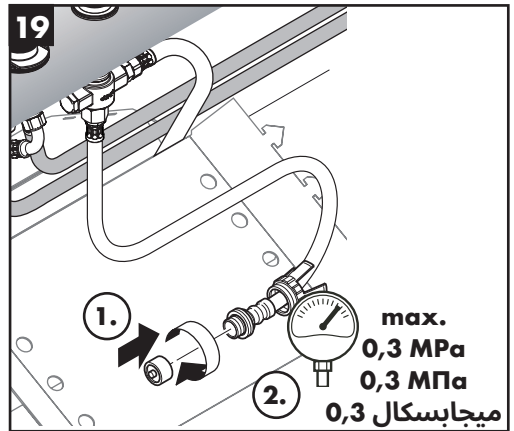
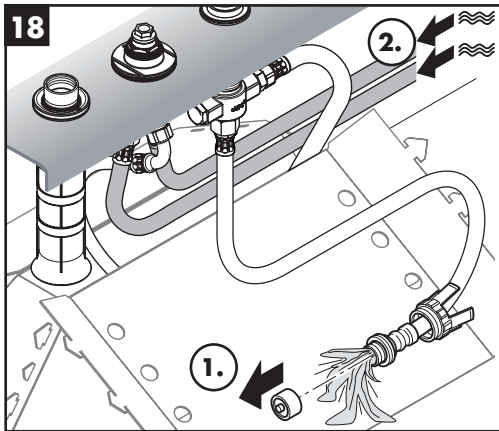
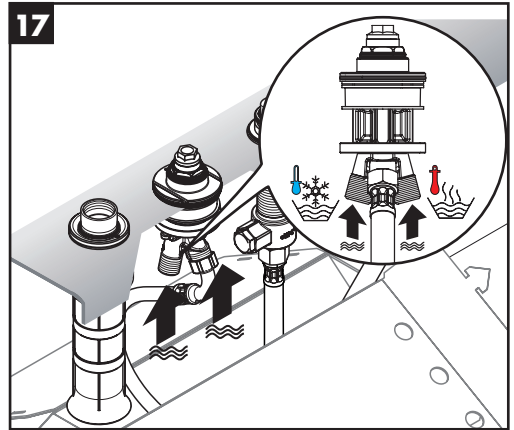
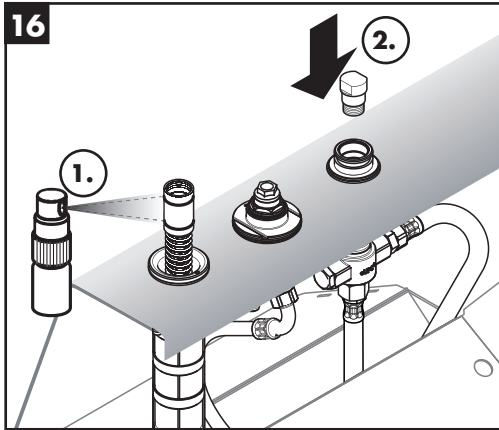
 **Test certificate** (see page 26)

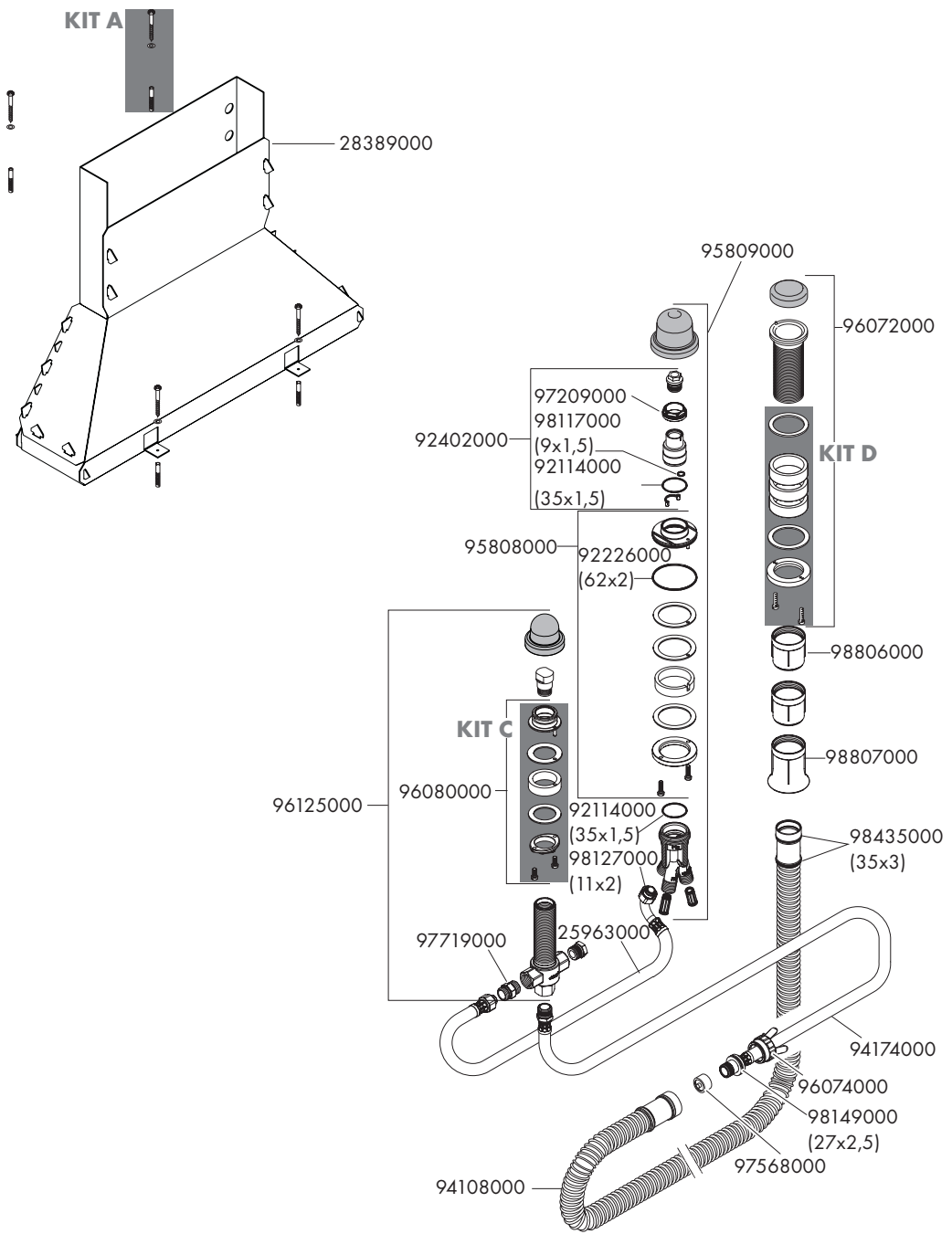


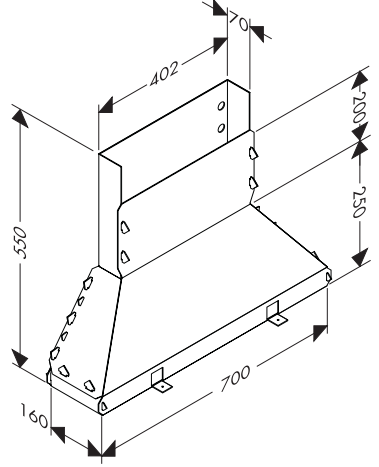
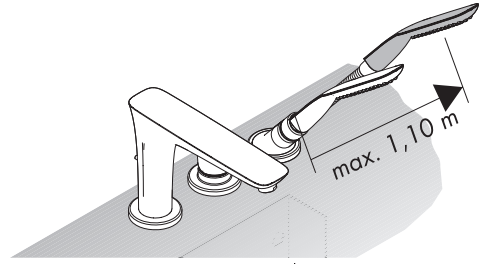
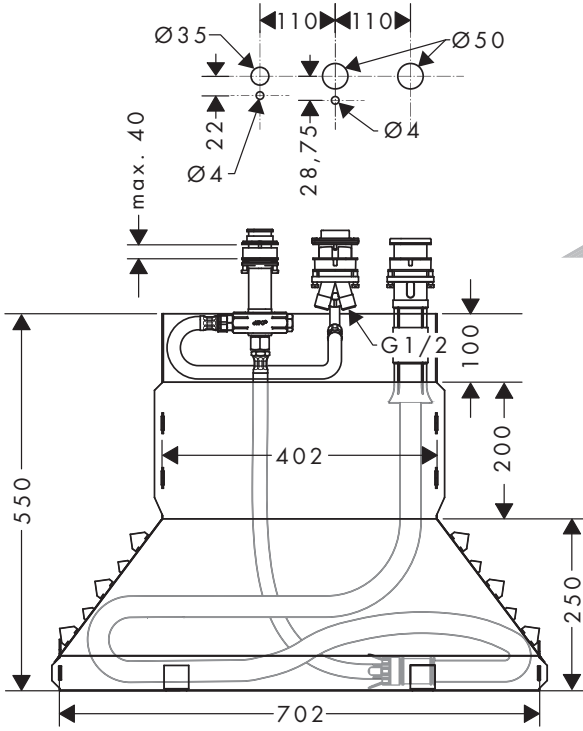




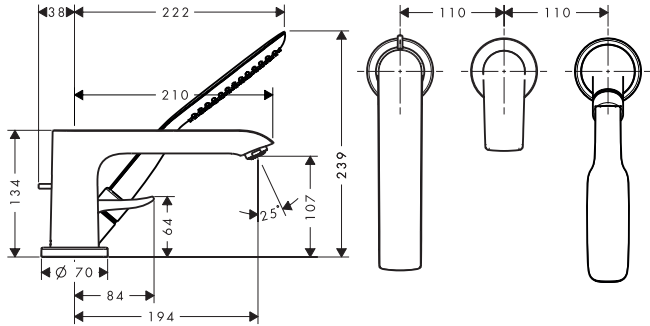




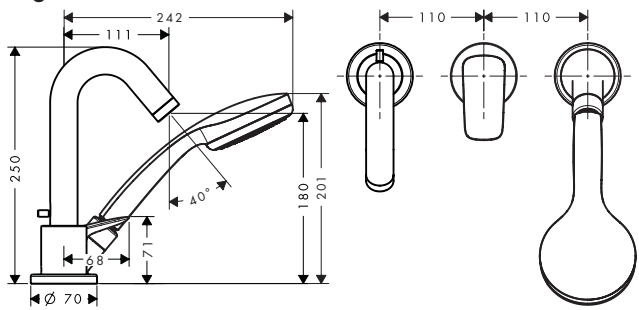




Metris 31190000



Logis 71310000





ETA

13437180

1657

