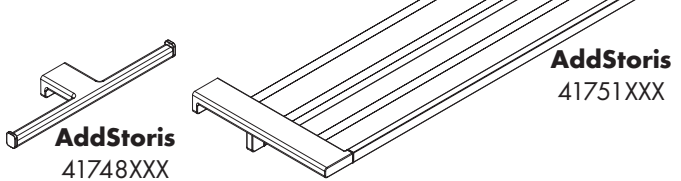
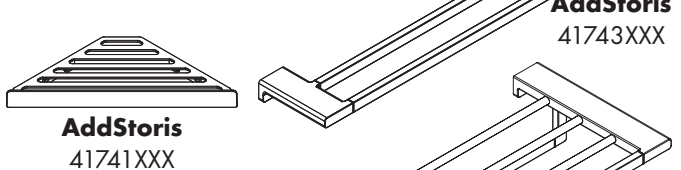
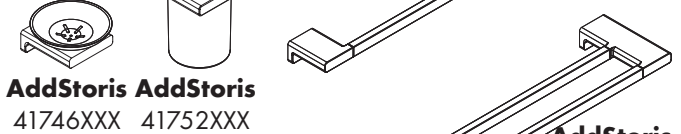
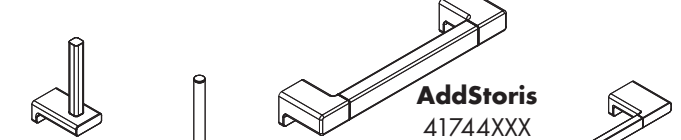
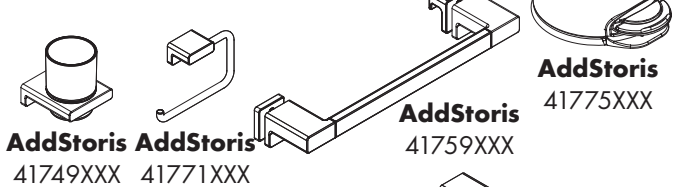
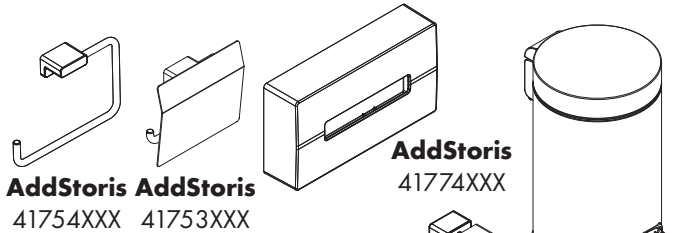
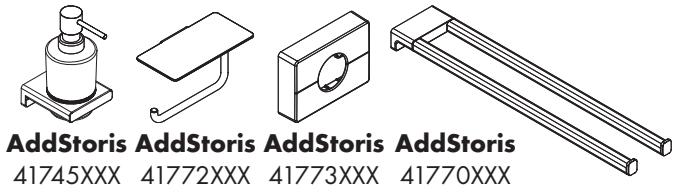


<b>DE</b>	Montageanleitung	2
<b>FR</b>	Instructions de montage	2
<b>EN</b>	assembly instructions	3
<b>IT</b>	Istruzioni per Installazione	3
<b>ES</b>	Instrucciones de montaje	4
<b>NL</b>	Handleiding	4
<b>DK</b>	Monteringsvejledning	5
<b>PT</b>	Manual de Instalação	5
<b>PL</b>	Instrukcja montażu	6
<b>CS</b>	Montážní návod	6
<b>SK</b>	Montážny návod	7
<b>ZH</b>	组装说明	7
<b>RU</b>	Инструкция по монтажу	8
<b>FI</b>	Asennusohje	8
<b>SV</b>	Monteringsanvisning	9
<b>LT</b>	Montavimo instrukcijos	9
<b>HR</b>	Uputstva za instalaciju	10
<b>TR</b>	Montaj kılavuzu	10
<b>RO</b>	Instrucțiuni de montare	11
<b>EL</b>	Οδηγία συναρμολόγησης	11
<b>SL</b>	Navodila za montažo	12
<b>ET</b>	Paigaldusjuhend	12
<b>LV</b>	Montāžas instrukcija	13
<b>SR</b>	Uputstvo za montažu	13
<b>NO</b>	Montasjeveiledning	14
<b>BG</b>	Ръководство за монтаж	14
<b>SQ</b>	Udhëzime rreth montimit	15
<b>AR</b>	تعليمات التجميع	15
<b>HU</b>	Szerelési útmutató	16
<b>JP</b>	施工説明書	16






## Safety Notes

- △ Gloves should be worn during installation to prevent crushing and cutting injuries.
- △ Intended use of the handle 41744XXX: The handle is not a medical product, it is not intended for physically impaired persons, but only for general private use.
- △ Use only the handle 41744XXX for support, the remaining products are not intended to be used as supports.
- △ Check the proper attachment and tight seating of the installed products periodically (annually).

## Installation Instructions

- Prior to installation, inspect the product for transport damages. After it has been installed, no transport or surface damage will be honoured.
- Where the contractor mounts the product, he should ensure that the entire area of the wall to which the mounting plate is to be fitted, is flat (no projecting joints or tiles sticking out), that the structure of the wall is suitable for the installation of the product and has no weak points. The enclosed screws and dowels are only suitable for concrete. For another wall constructions the manufacturer's indications of the dowel manufacturer have to be taken into account.
- 41773XXX, 41774XXX: The bonding surfaces must be clean, dry, wax and grease-free, able to bear weight and free of release agents. In most case it is best to wipe down the surface with a clean dry cloth. Do not use any conventional cleansers containing releaseagents. If necessary, use an alcohol cleaner or in the case of waxy natural stone, use a wax-removing cleaner. Rub this off with a clean, dry cloth before it evaporates.

## Symbol description

 Do not use silicone containing acetic acid!

 **Spare parts** (see page 26)

 **Cleaning** (see page 28)

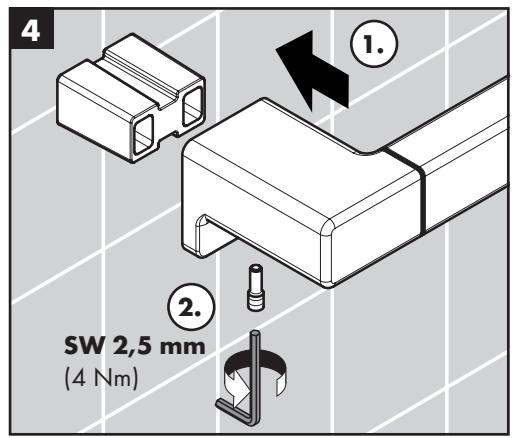
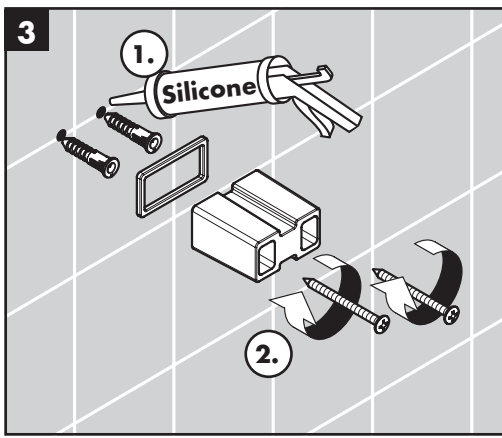
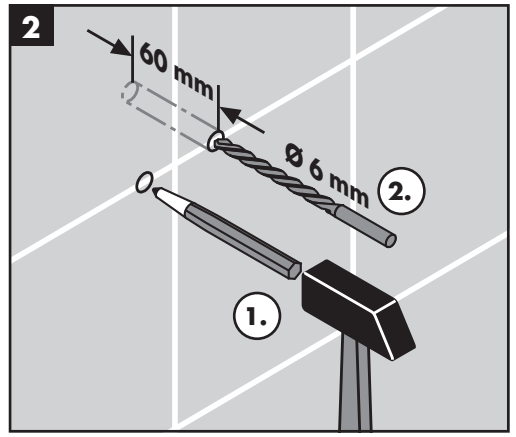
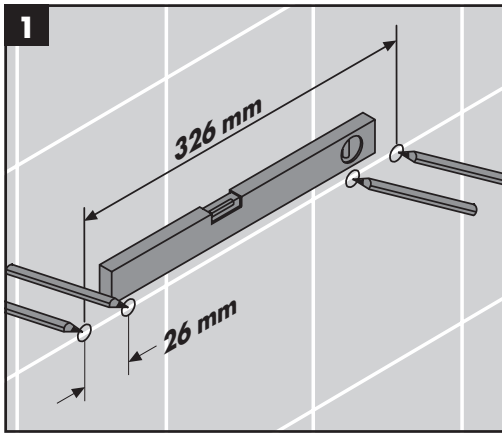
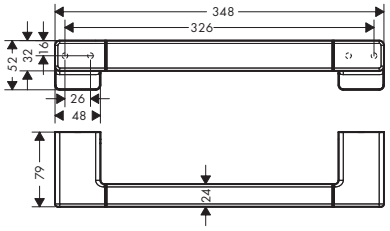
 **Operation** (see page 21)

Lift off pump and lid for filling and cleaning.



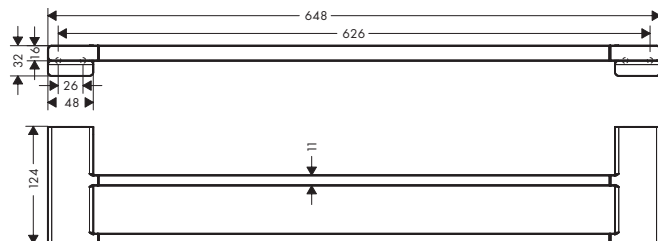
# AddStoris

41744XXX

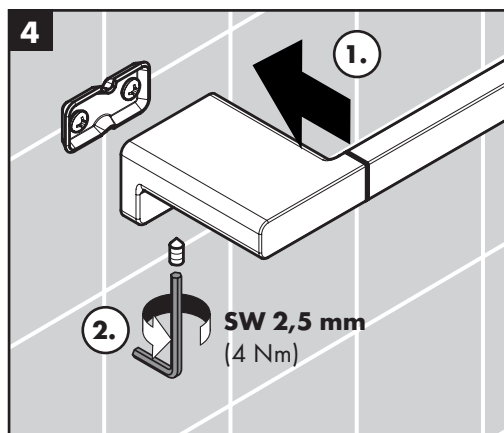
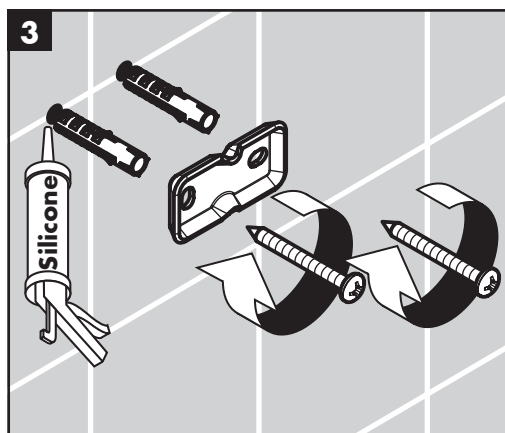
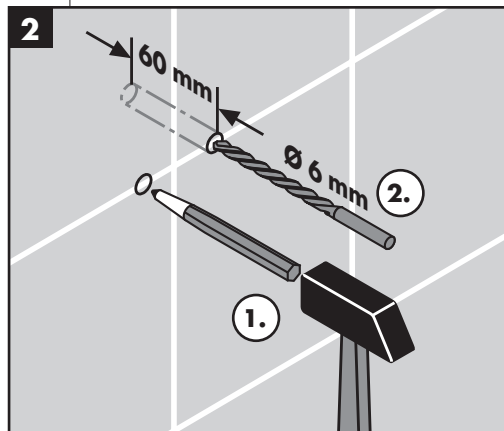
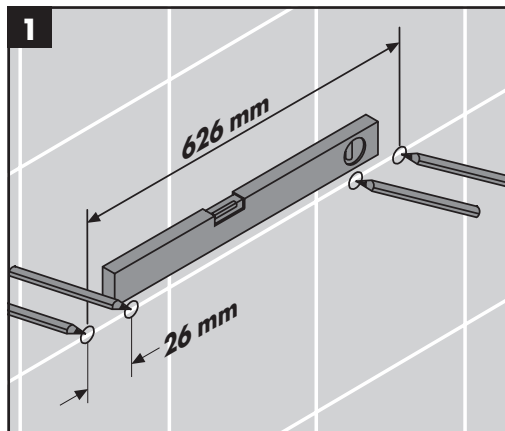
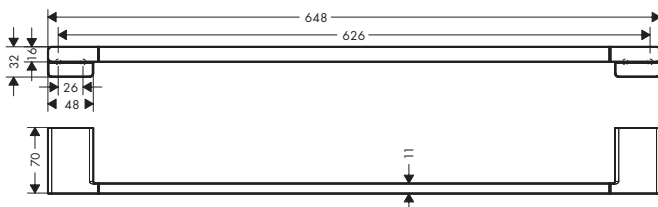




**AddStoris**  
41743XXX

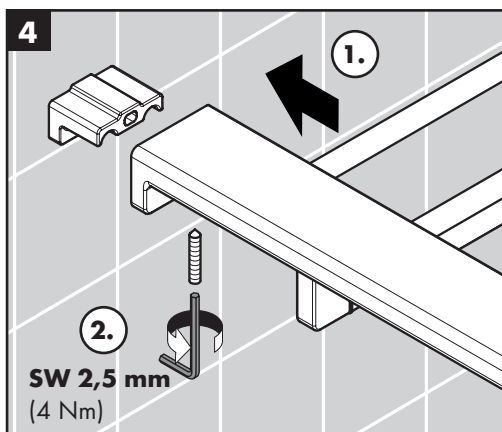
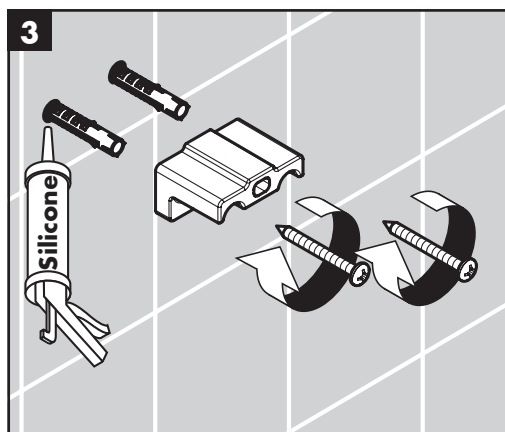
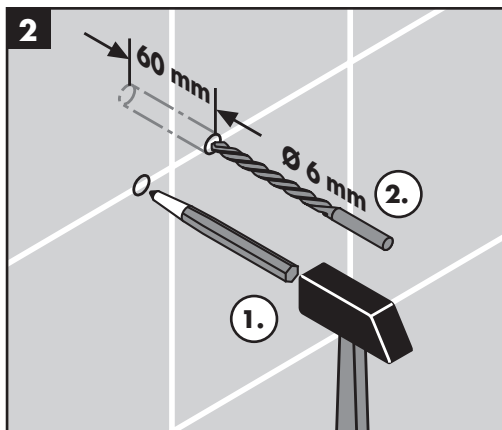
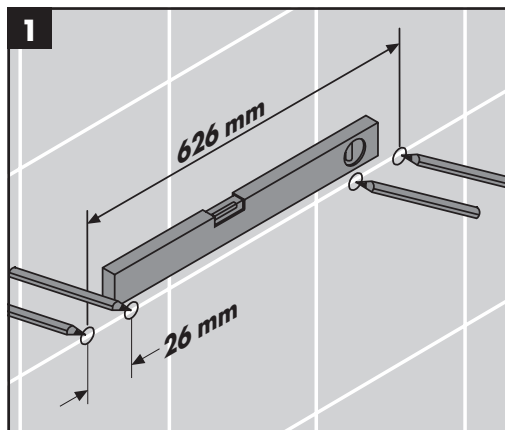
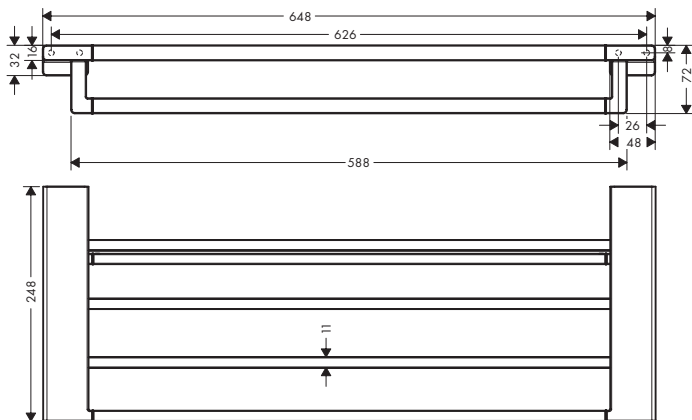


**AddStoris**  
41747XXX





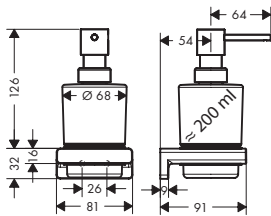
**AddStoris**  
41751XXX





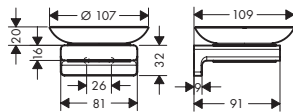
### AddStoris

41745XXX



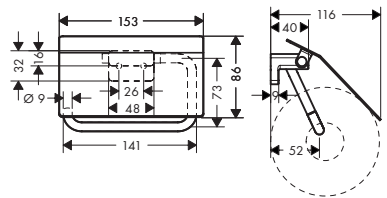
### AddStoris

41746XXX



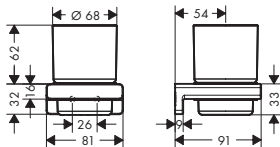
### AddStoris

41753XXX



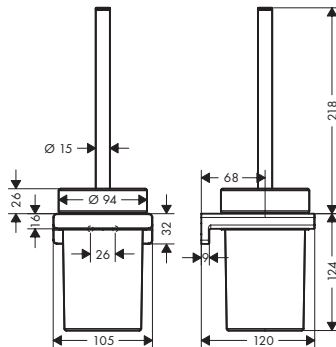
### AddStoris

41749XXX



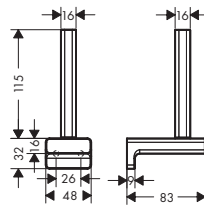
### AddStoris

41752XXX



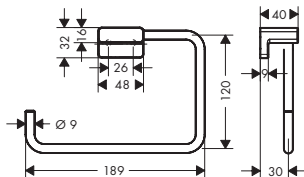
### AddStoris

41756XXX



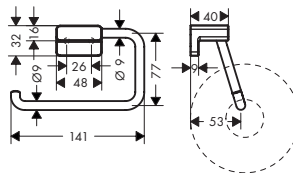
### AddStoris

41754XXX



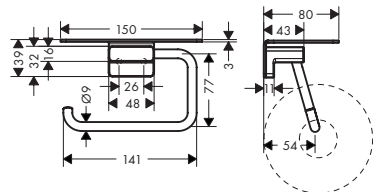
### AddStoris

41771XXX



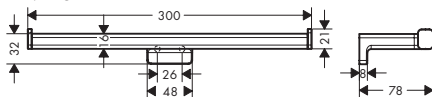
### AddStoris

41772XXX



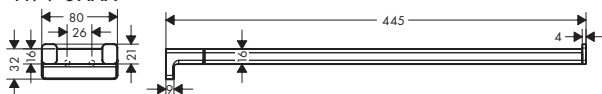
### AddStoris

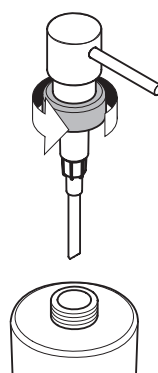
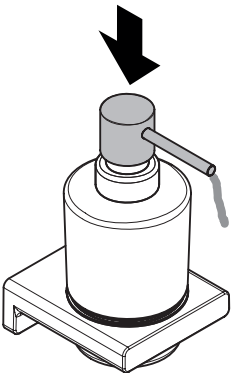
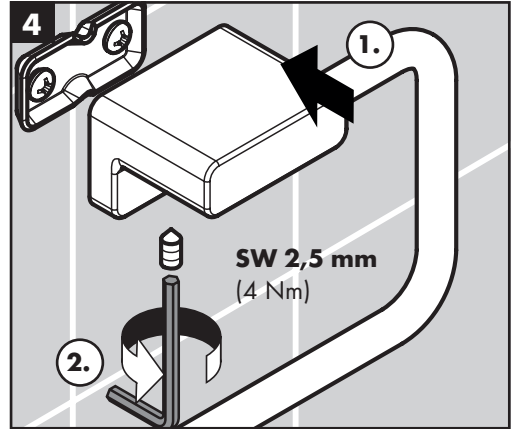
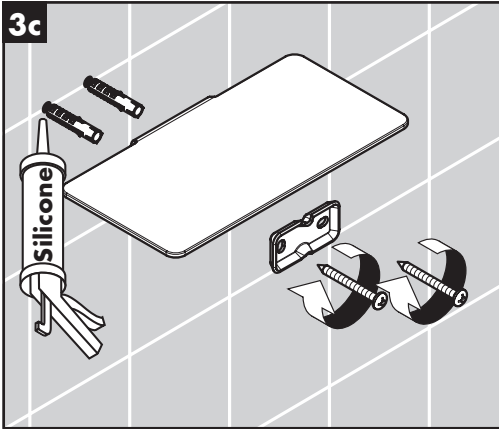
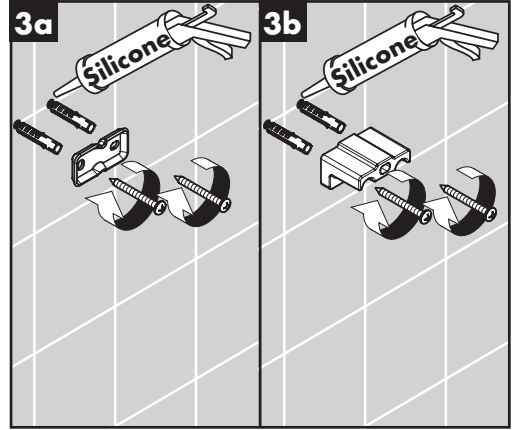
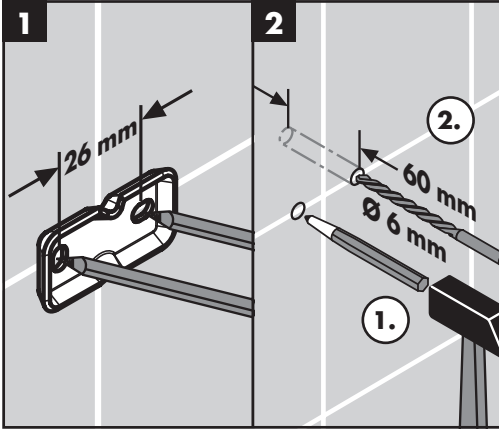
41748XXX



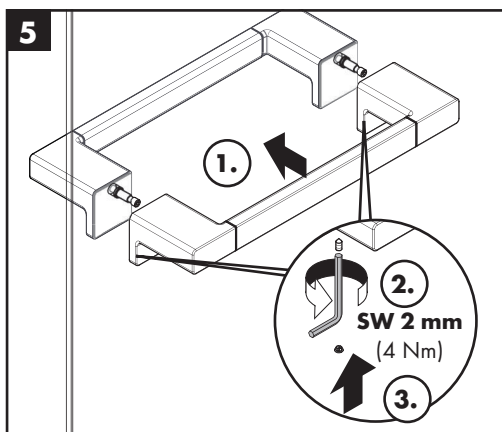
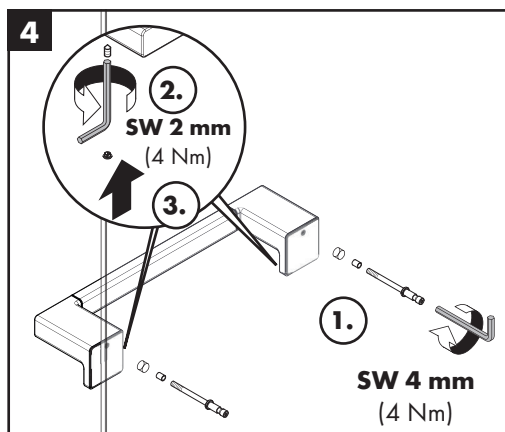
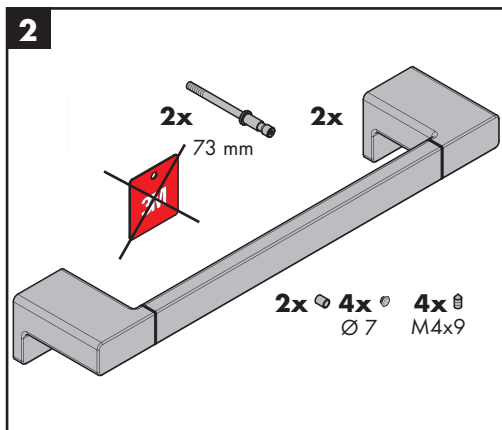
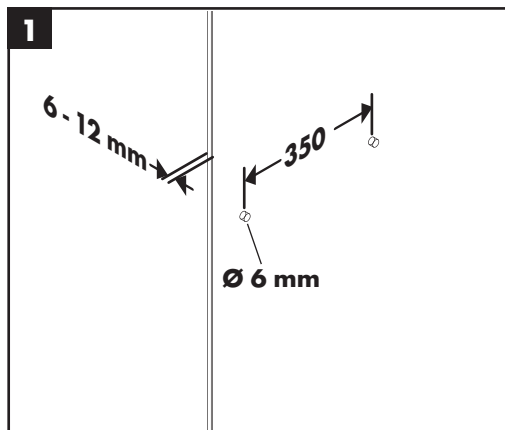
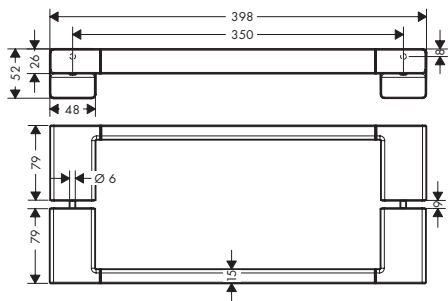
### AddStoris

41770XXX



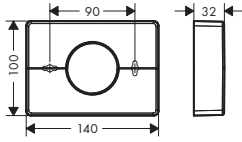




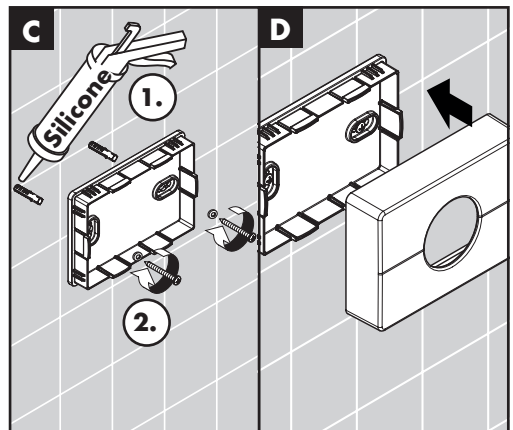
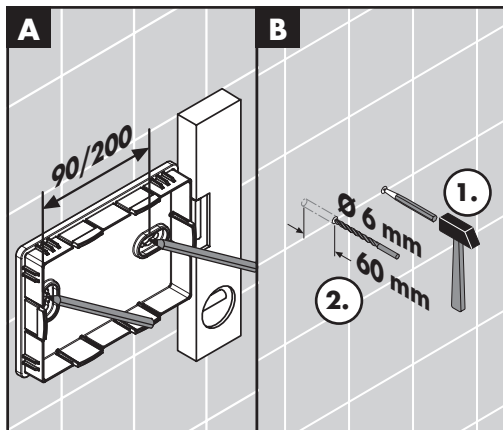
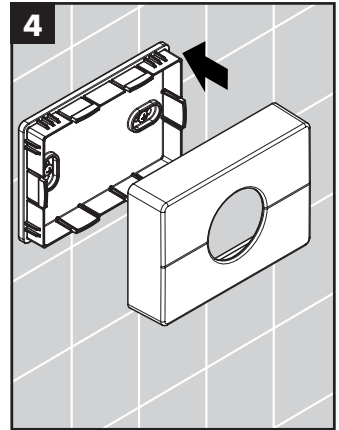
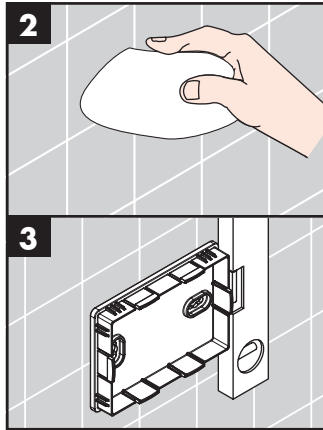
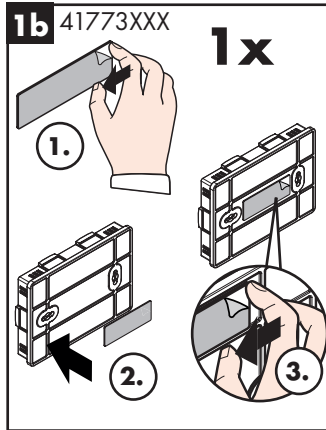
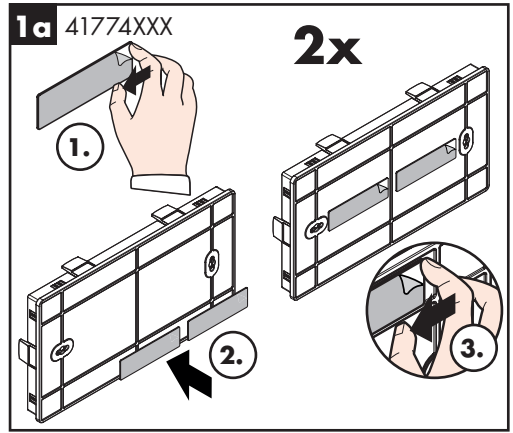
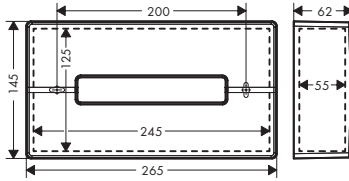




**AddStoris**  
41773XXX



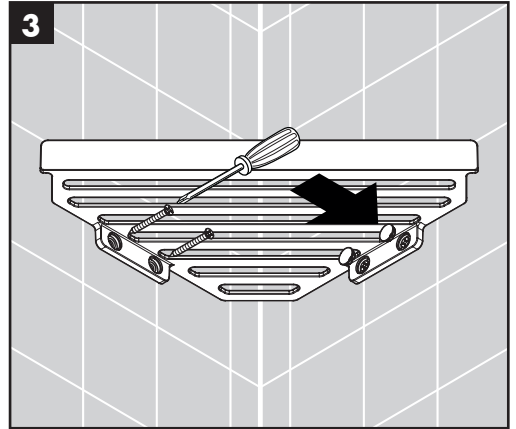
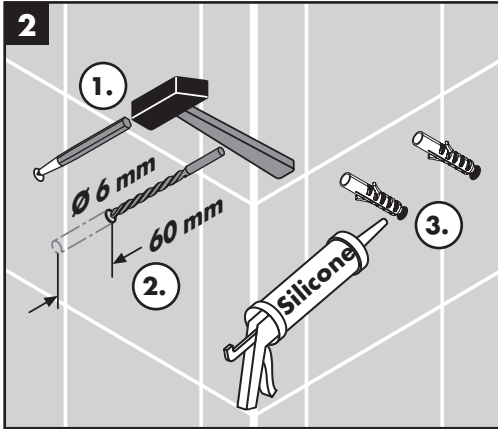
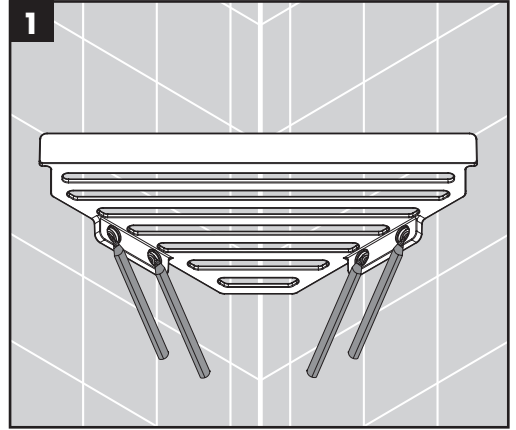
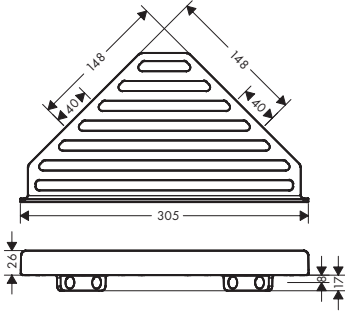
**AddStoris**  
41774XXX





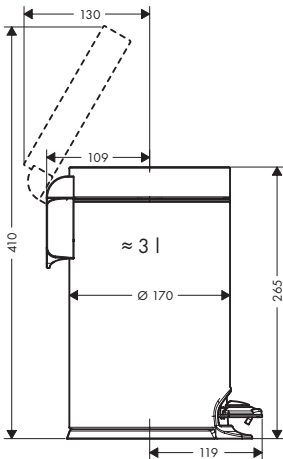
## AddStoris

41741XXX



## AddStoris

41775XXX



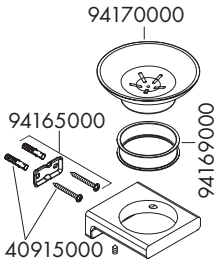


XXX = Farbcodierung / Couleurs / Colors /  
 Trattamento / Acabados / Kleuren / Overflade /  
 Acabamentos / Kody kolorów /  
 Kód povrchové úpravy / Farebné označenie /  
 颜色代码 / Цветная кодировка / Värikoodaus /  
 Färgkodning / Spalvos / Boje / Renkler /  
 Coduri de culori / Χρώματα / Barve / Värvid /  
 Krāsu kodi / Označe boja / Fargekode /  
 Цветово кодиране /  
 Kodimi me anë të ngjyrave / الألوان /  
 Színkódolás / 仕上げ色

000 = Chrome  
 140 = Brushed Bronze  
 340 = Brushed Black Chrome  
 670 = Matt Black  
 700 = Matt White  
 990 = Polished Gold-Optic

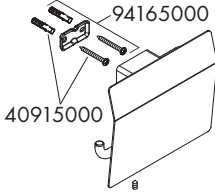
**AddStoris**

41746XXX



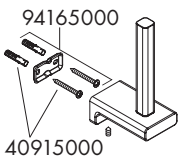
**AddStoris**

41753XXX



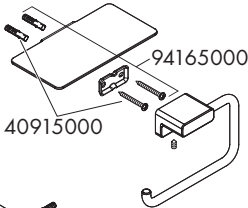
**AddStoris**

41756XXX



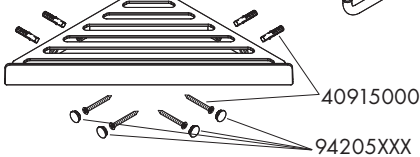
**AddStoris**

41772XXX



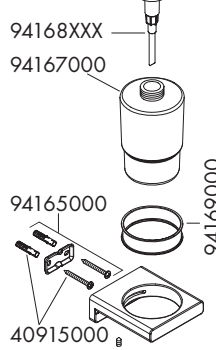
**AddStoris**

41741XXX



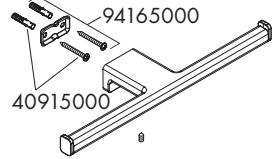
**AddStoris**

41745XXX



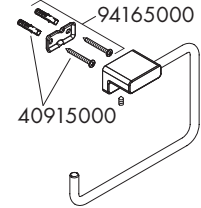
**AddStoris**

41748XXX



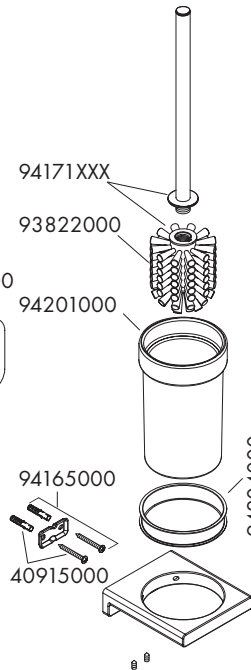
**AddStoris**

41754XXX



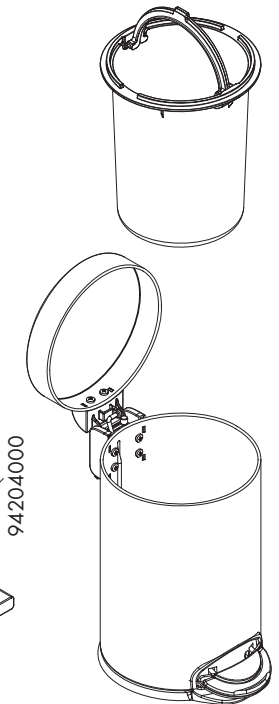
**AddStoris**

41752XXX



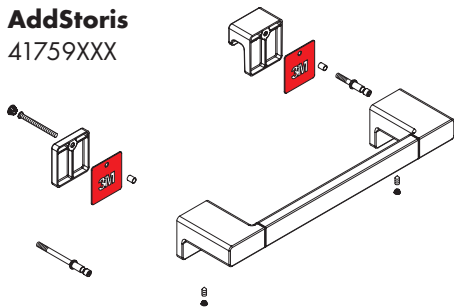
**AddStoris**

41775XXX

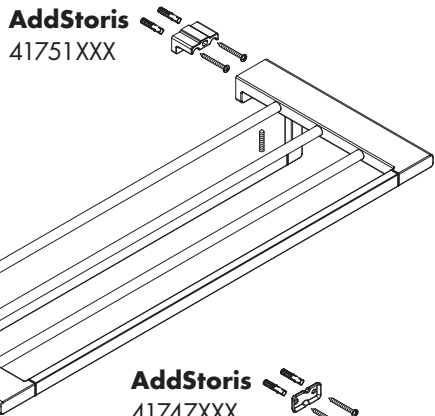




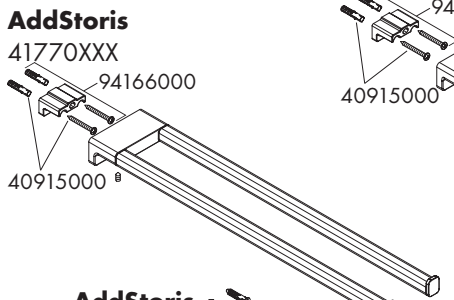
**AddStoris**  
41759XXX



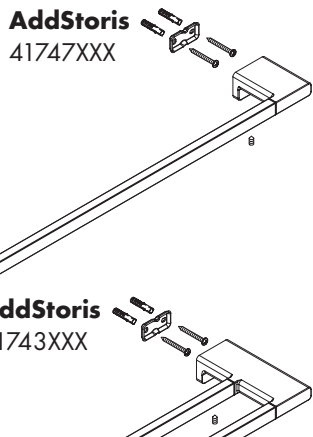
**AddStoris**  
41751XXX



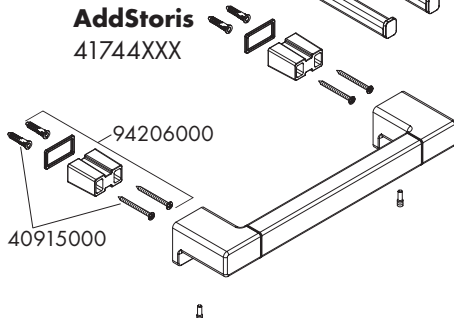
**AddStoris**  
41770XXX



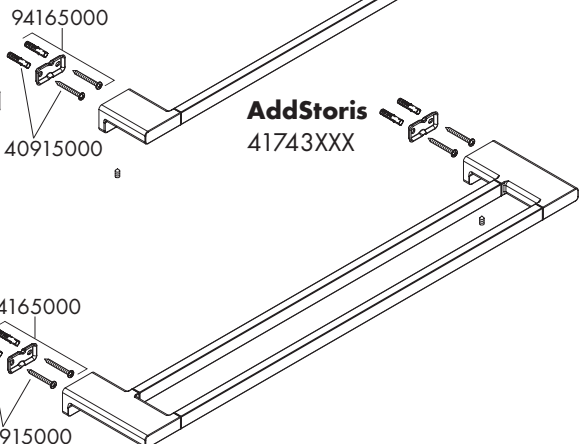
**AddStoris**  
41747XXX



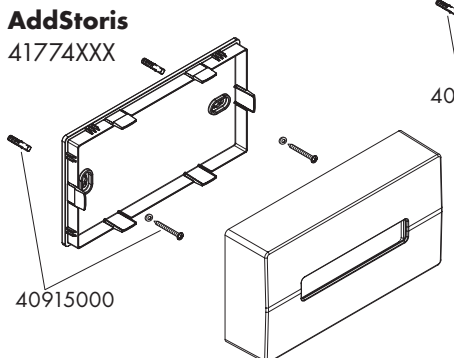
**AddStoris**  
41744XXX



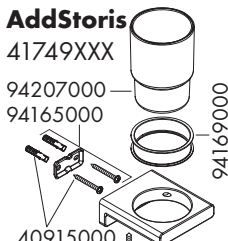
**AddStoris**  
41743XXX



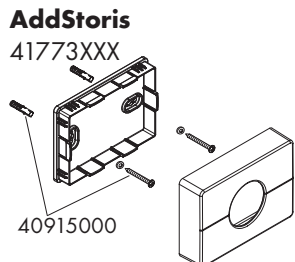
**AddStoris**  
41774XXX



**AddStoris**  
41749XXX



**AddStoris**  
41773XXX

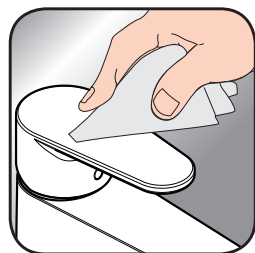




- DE** Reinigungsempfehlung / Garantie / Kontakt
- FR** Recommandation pour le nettoyage / Garanties / Contact
- EN** Cleaning recommendation / Warranty / Contact
- IT** Raccomandazione di pulizia / Garanzia / Contatto
- ES** Recomendaciones para la limpieza / Garantía / Contacto
- NL** Aanbevelingen inzake reiniging / Garantie / Contact
- DK** Rengøringsvejledning / Garanti / Kontakt
- PT** Recomendações de limpeza / Garantia / Contacto
- PL** Zalecenie dotyczące pielęgnacji / Gwarancja / Kontakt
- CS** Doporučení k čištění / Záruka / Kontakt
- SK** Odporúčania pre čistenie / Záruka / Kontakt
- ZH** 清洁指南 / 担保 / 接触
- RU** Рекомендации по очистке / Гарантия / Контакты
- FI** Puhdistussuositus / Takuu / Kosketus
- SV** Rengöringsrekommendationer / Garanti / Contacto
- LT** Valymo rekomendacijos / Garantija / Kontaktai
- HR** Preporuke za čišćenje / Garancija / Kontakt
- TR** Temizleme önerisi / Garanti / Temas
- RO** Recomandări pentru curățare / Garanție / Contact
- EL** Σύσταση καθαρισμού / Εγγύηση / επαφή
- SL** Priporočilo za čiščenje / Garancija / Kontakt
- ET** Puhastussuovitused / Garantii / Kontakt
- LV** Tīrīšanas ieteikumi / Garantija / Kontakti
- SR** Preporuke za čišćenje / Garancija / Kontakt
- NO** Anbefaling for rengjøring / Garanti / Kontakt
- BG** Препоръка за почистване / Гаранция / Контакт
- SQ** Këshilla rreth pastrimit / Garancia / Kontakt
- KO** 세정시 권장사항 / 품질보증 / 접촉
- AR** توصيات التنظيف / الضمان (الولايات المتحدة الأمريكية) / اتصال
- HU** Tisztítási tanácsok / Garancia / érintkezés
- JP** お手入れの方法 / 保証について / ご連絡先



[www.hansgrohe.com/  
cleaning-recommendation](http://www.hansgrohe.com/cleaning-recommendation)



[www.hansgrohe.com/  
cleaning-recommendation](http://www.hansgrohe.com/cleaning-recommendation)



[www.hansgrohe.com/  
cleaning-recommendation](http://www.hansgrohe.com/cleaning-recommendation)



[www.hansgrohe.com/  
cleaning-recommendation](http://www.hansgrohe.com/cleaning-recommendation)