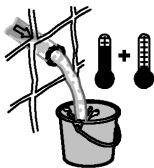
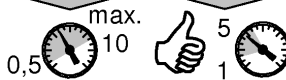


§ DIN 1988
DIN EN 806
DIN 1717



bar

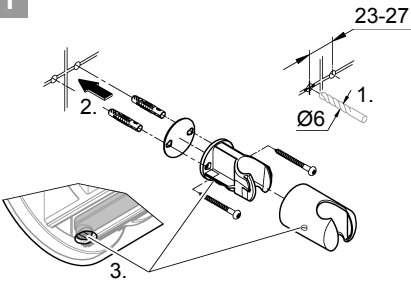


°C

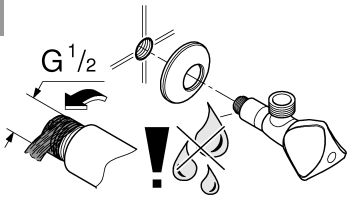




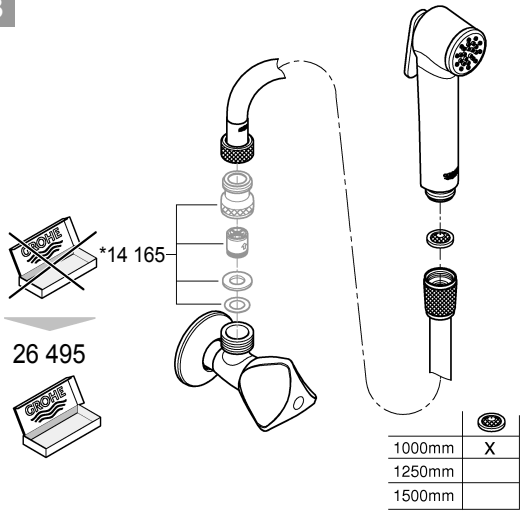
1



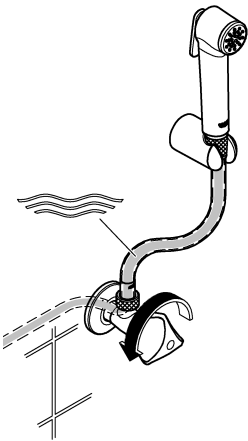
2



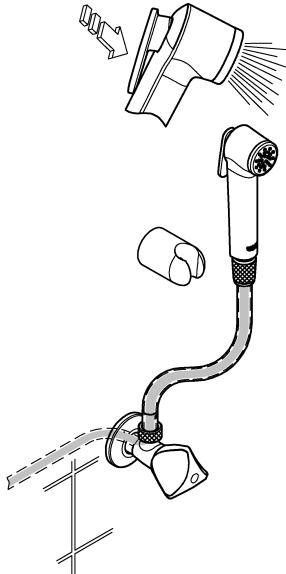
3



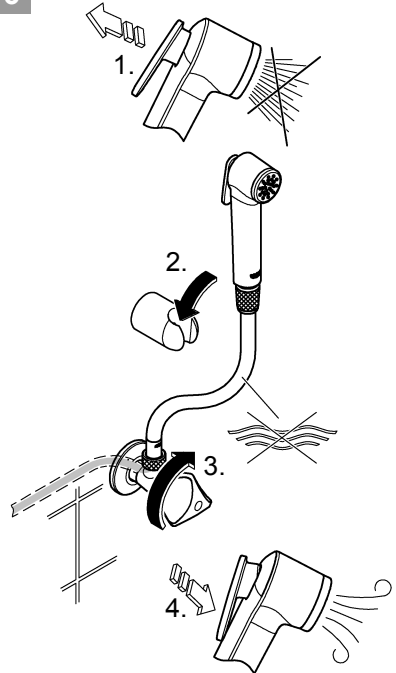
1

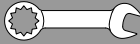


2

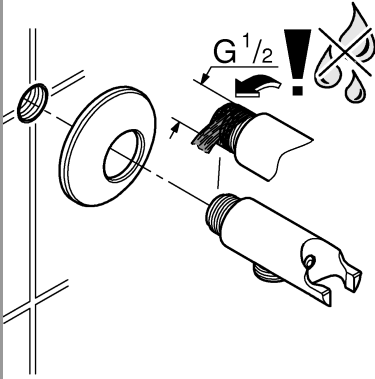


3

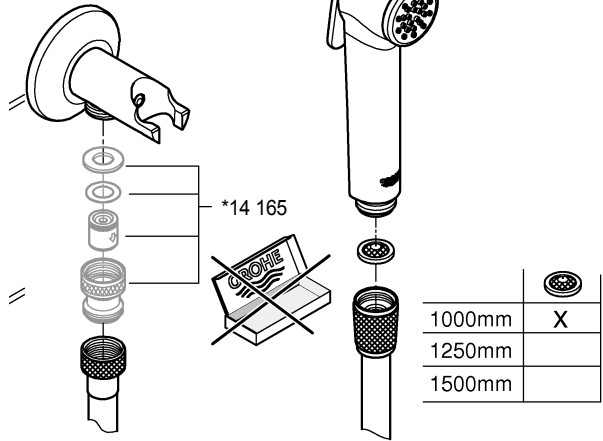




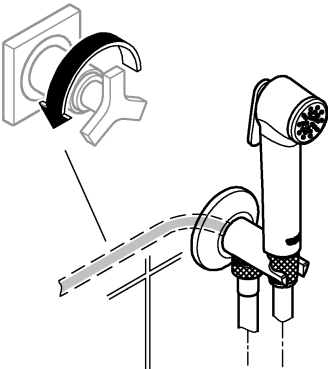
1



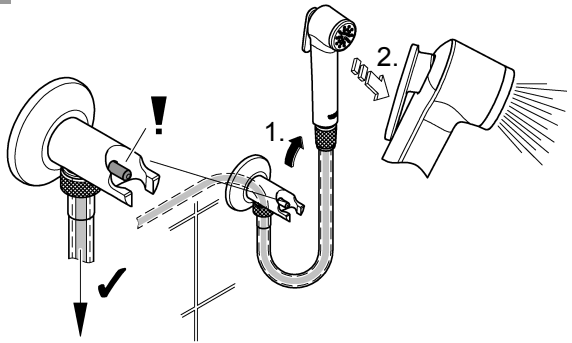
2



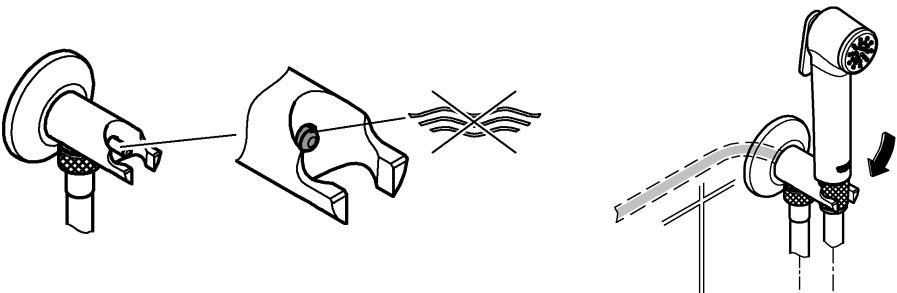
1

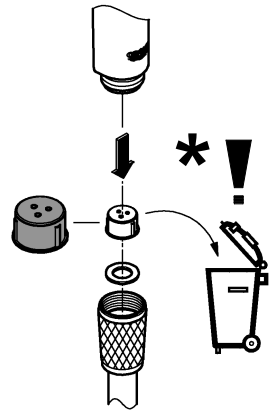
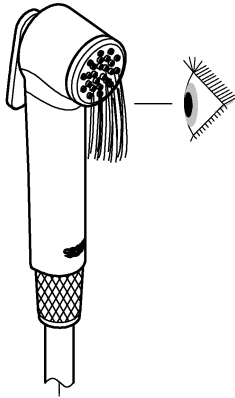
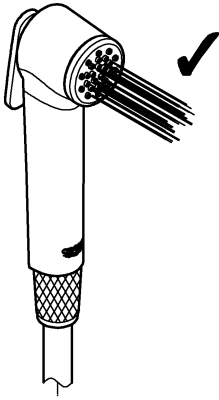


2

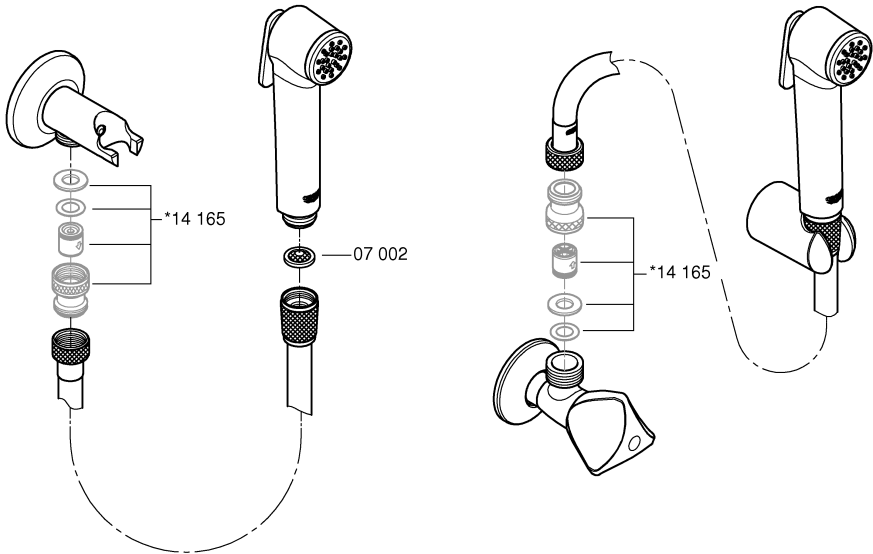
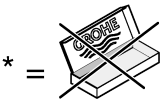


3





! Not allowed for (KSA)



Do not use abrasive sponges, scouring agents, organic solvents or acidic cleaners, limescale removers, household vinegar or cleaners containing acetic acid for cleaning.