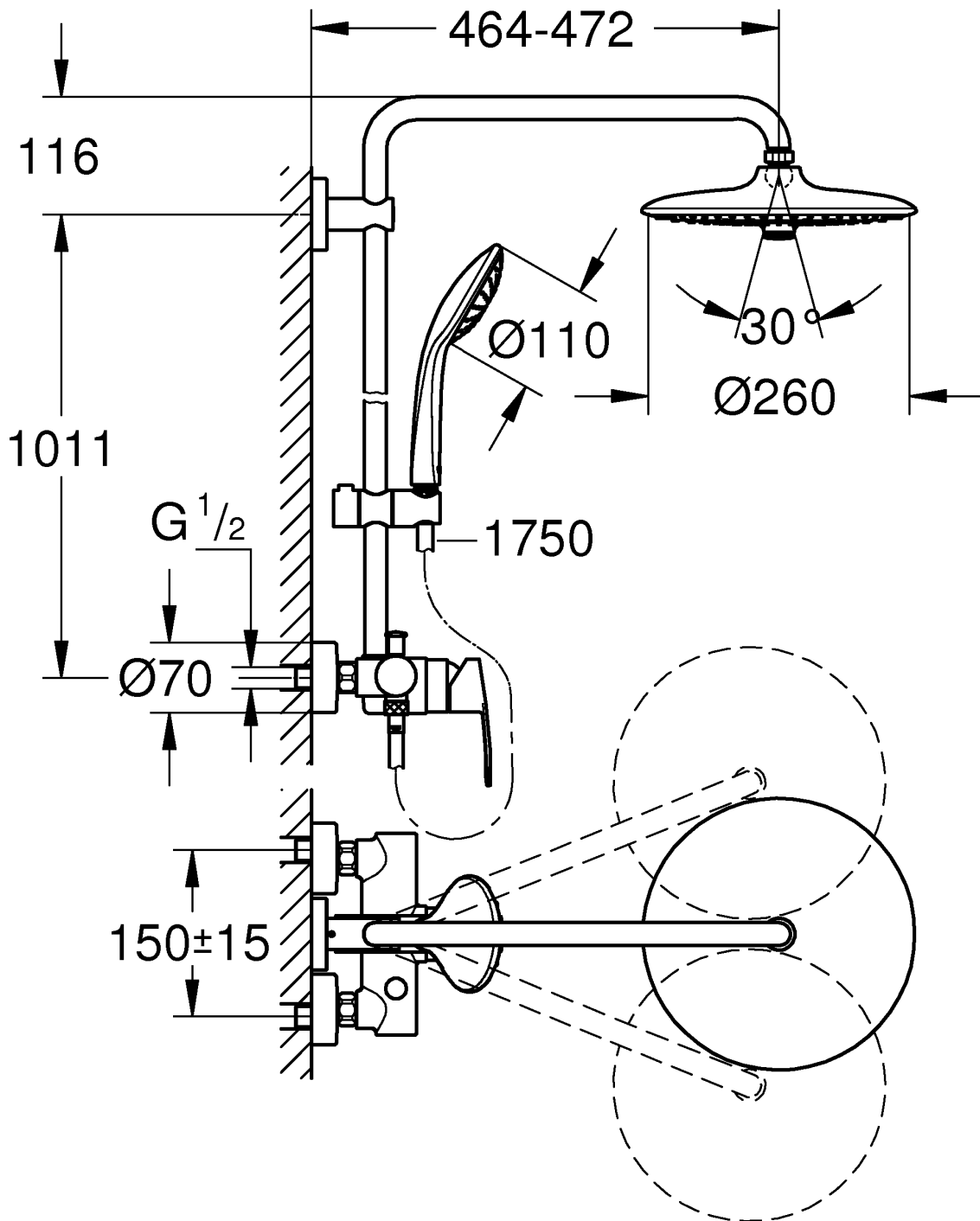





27 684

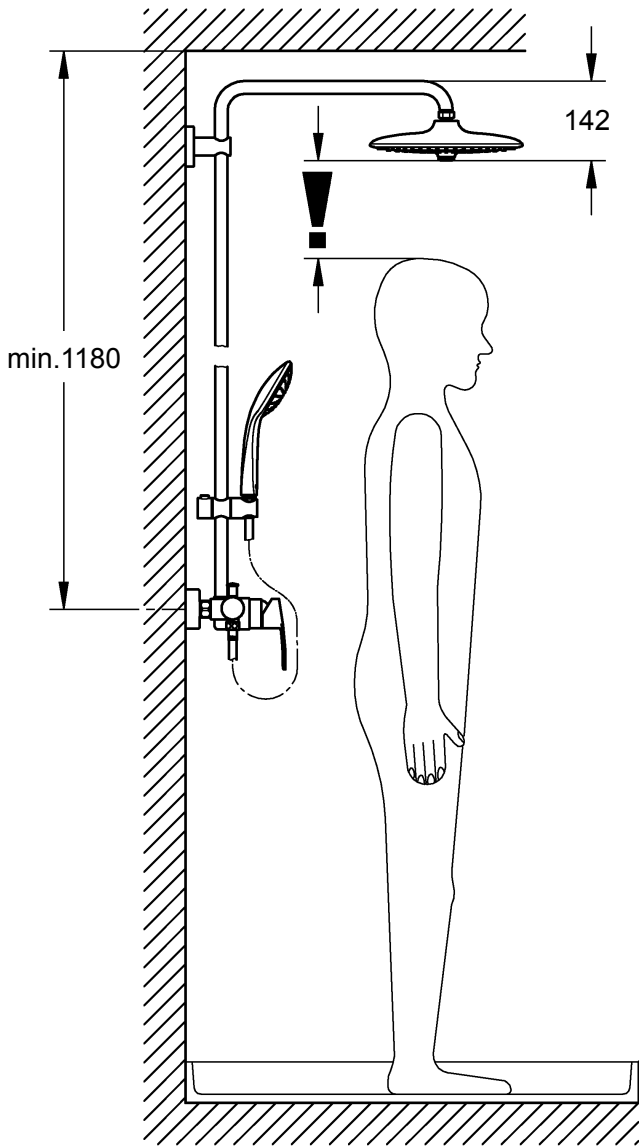
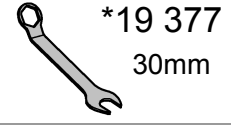
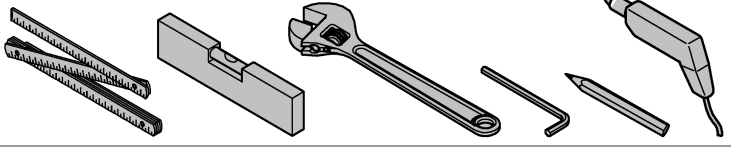
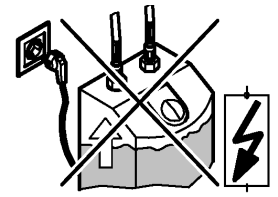
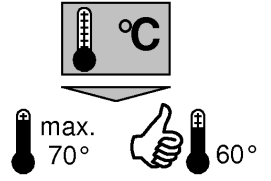
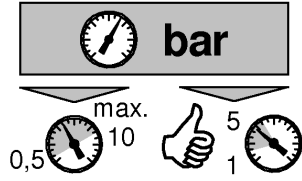
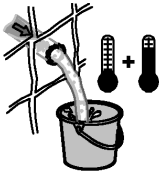




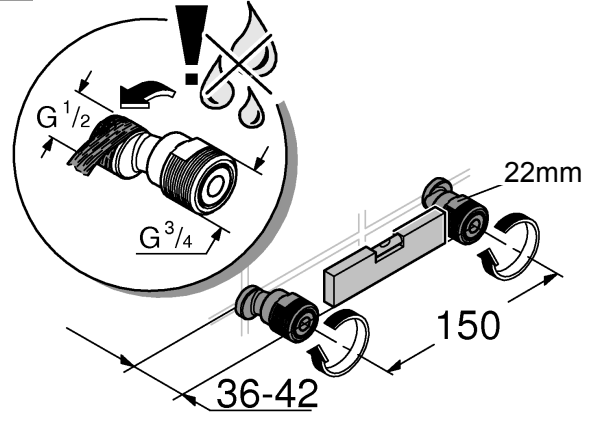
When installing e.g. on plasterboard walls (not solid walls) it must be assured that an appropriate reinforcement is in place to ensure sufficient strength.



DIN 1988
DIN EN 806



1



2

