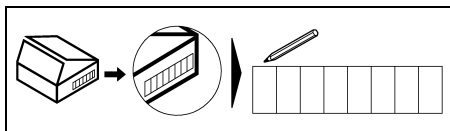
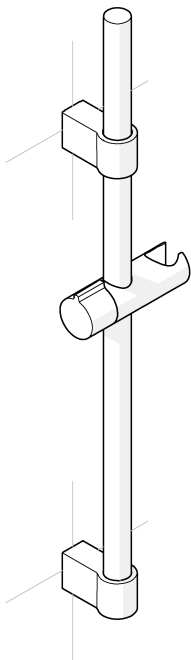
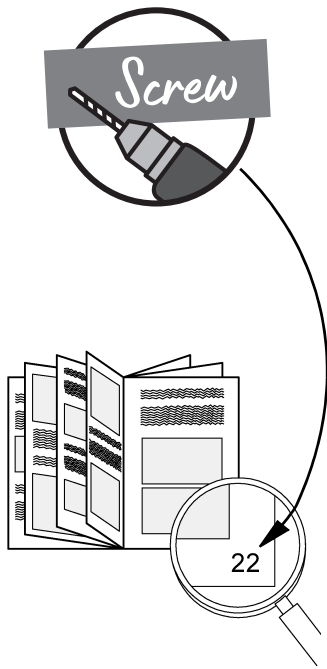
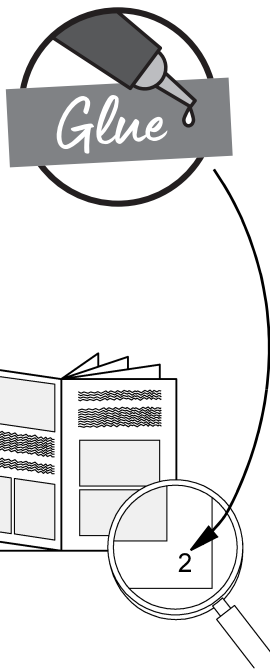


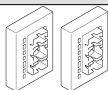
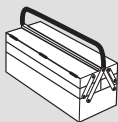


QUICKFIX

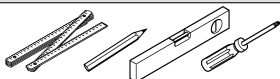
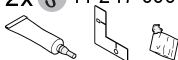
GROHE



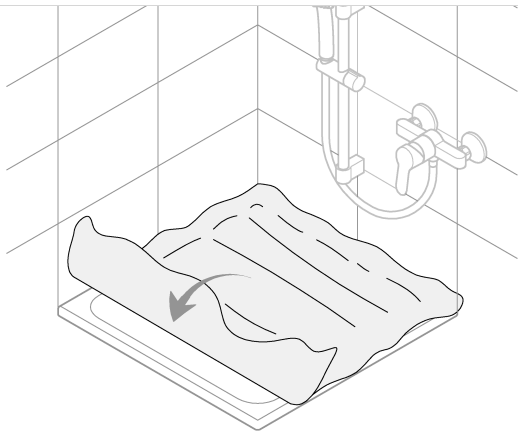




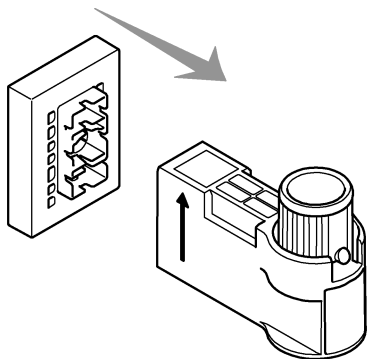
2x S 41 247 000



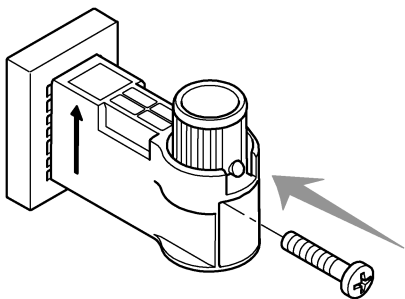
1



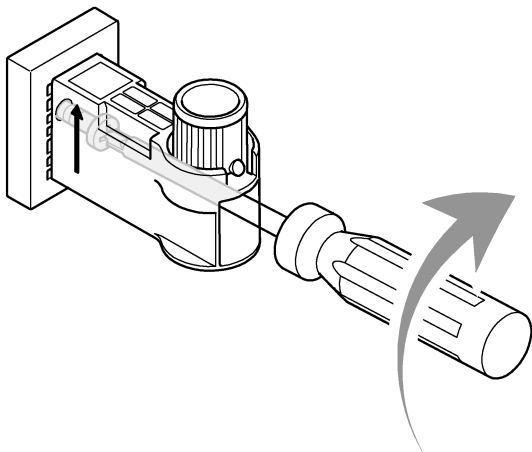
2



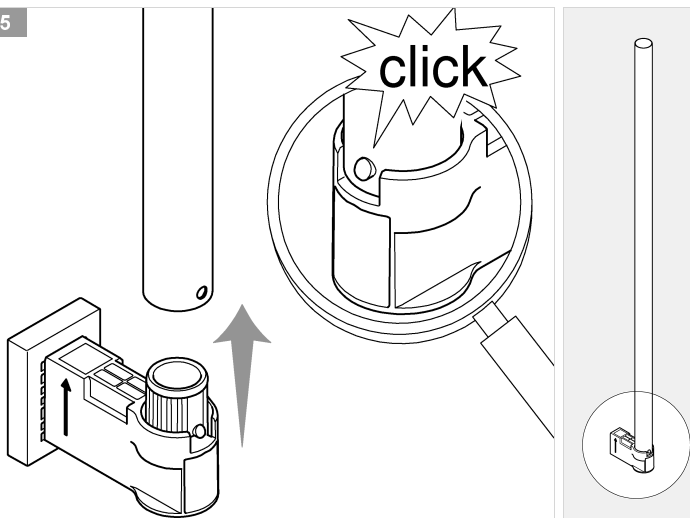
3



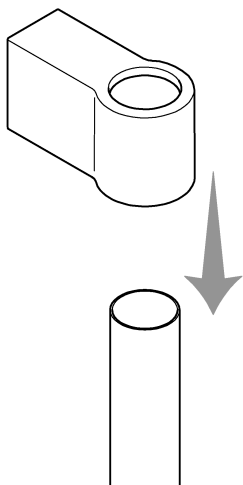
4



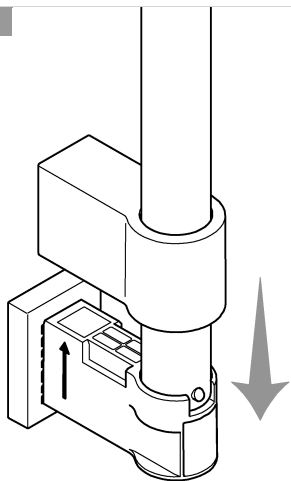
5



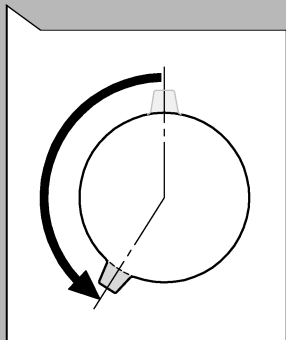
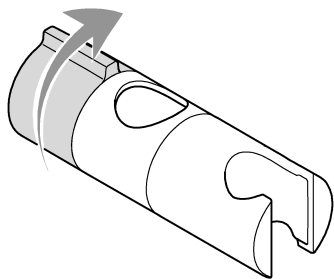
6

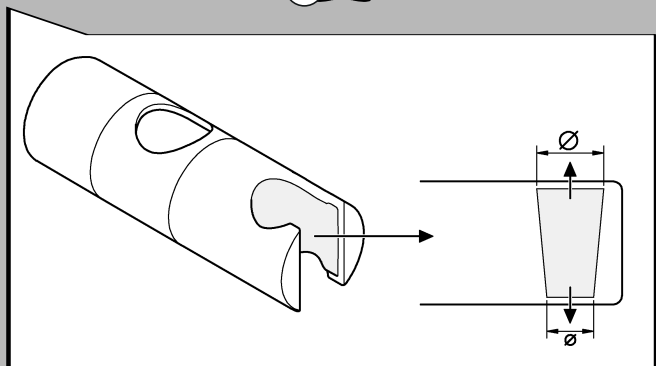
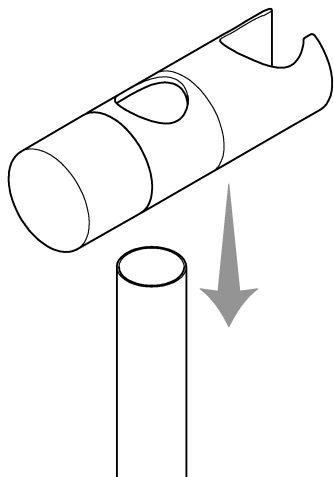


7

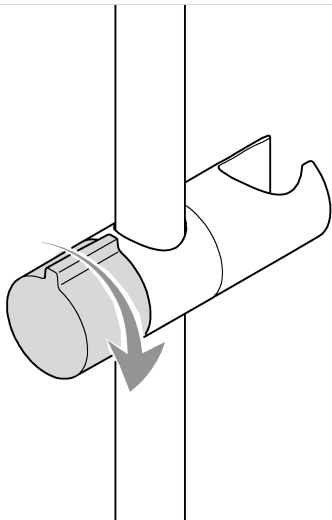


8

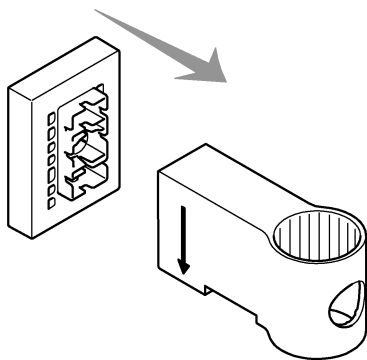




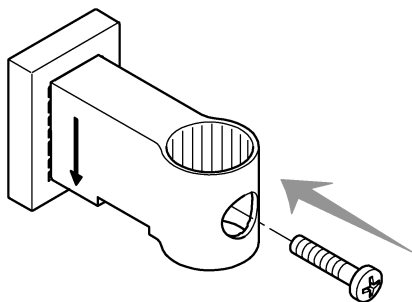
10



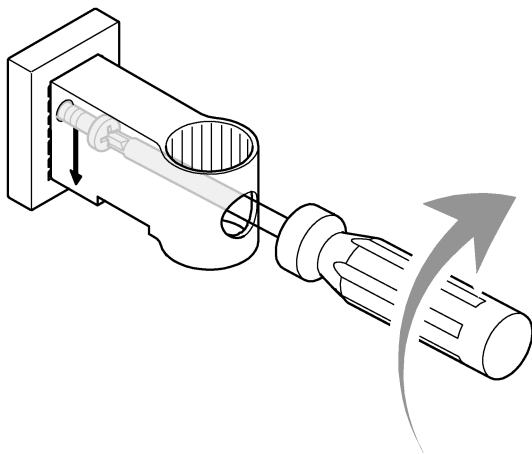
11

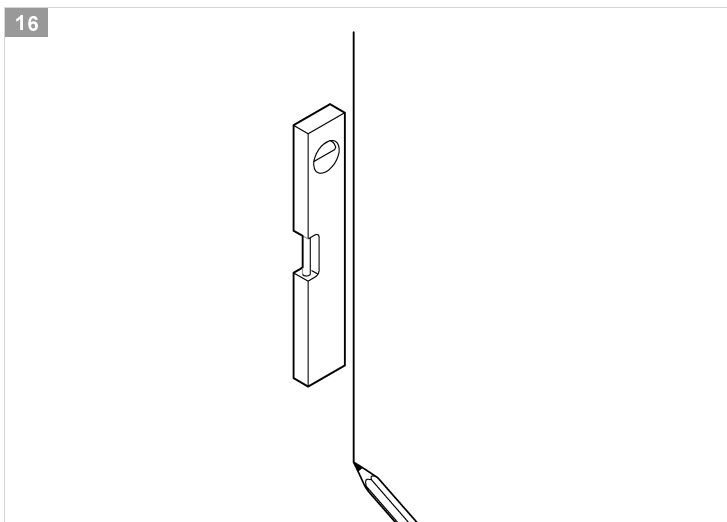
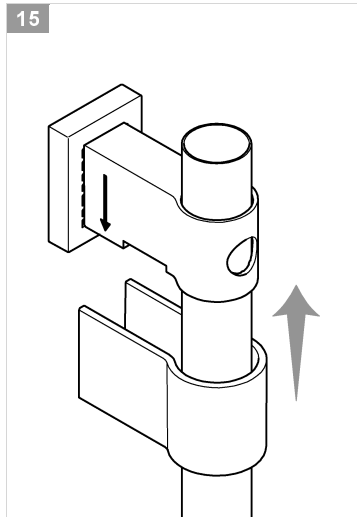
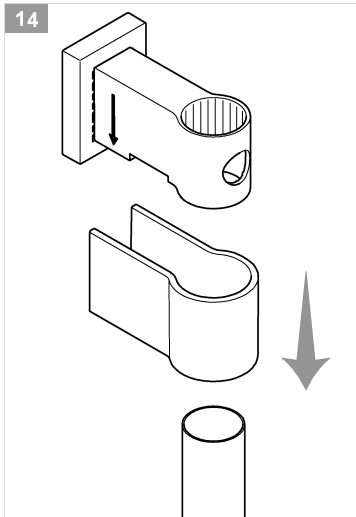


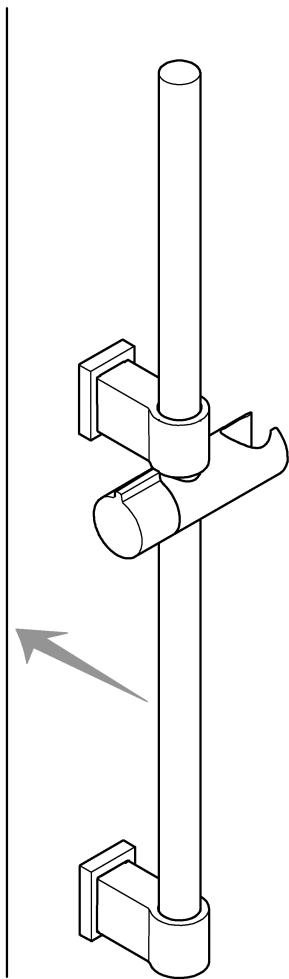
12

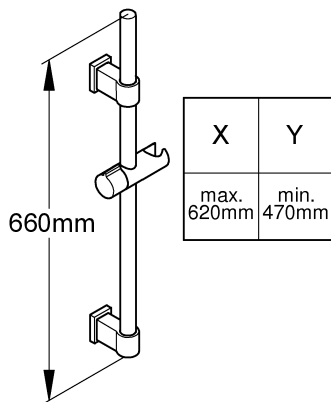
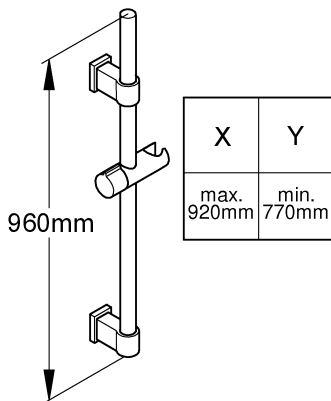
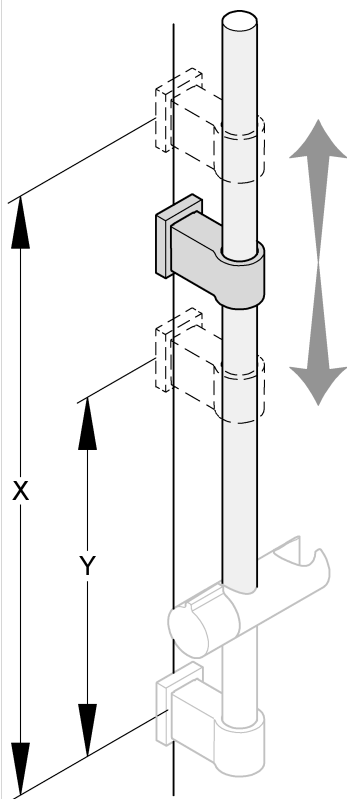


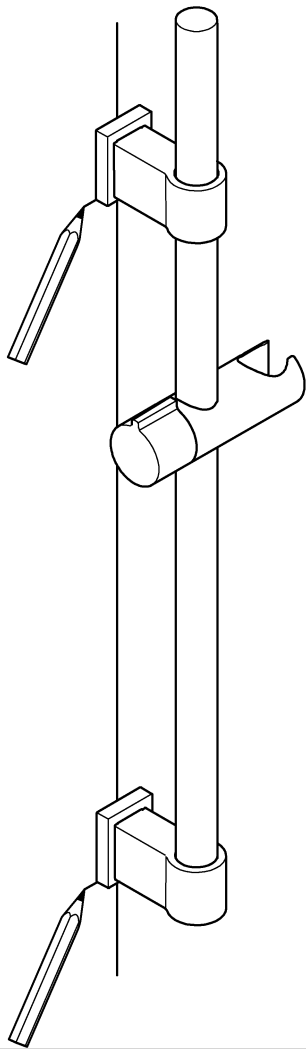
13

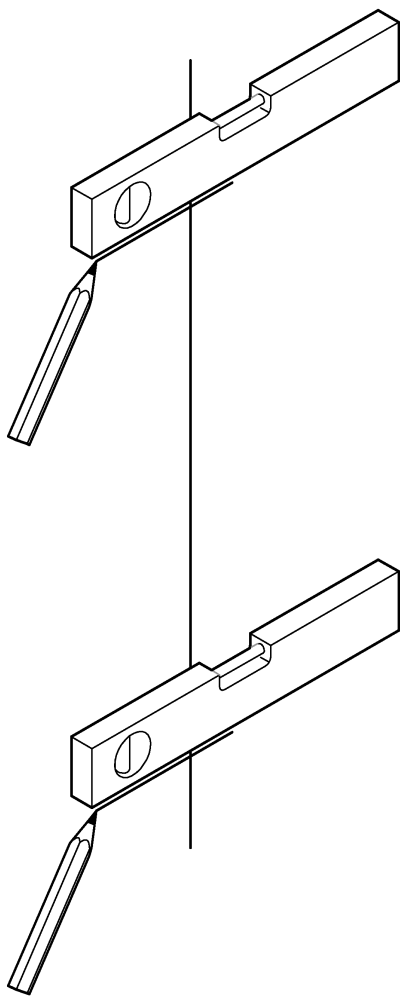




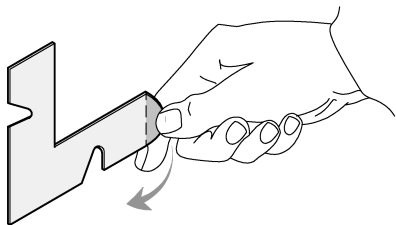




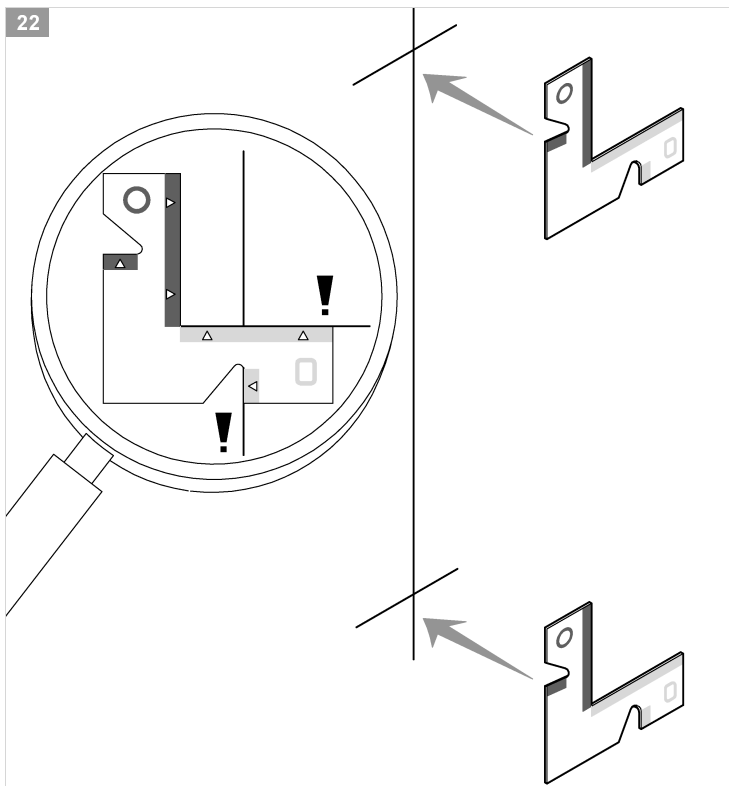


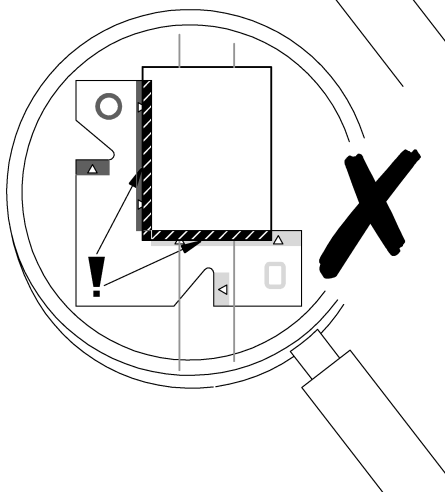
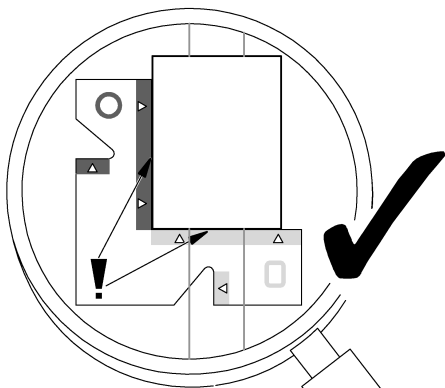
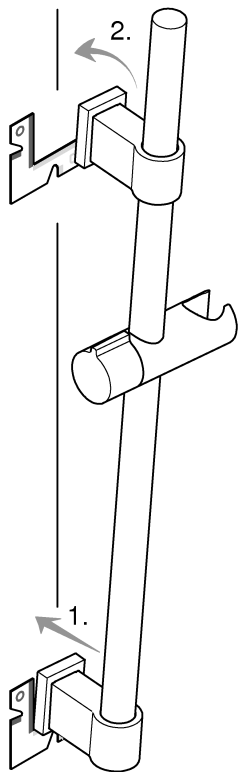


21

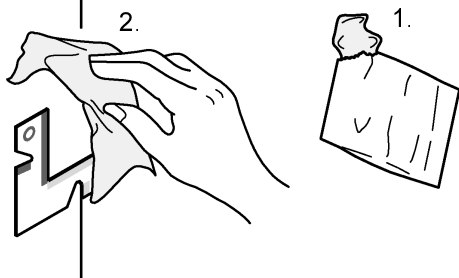


22

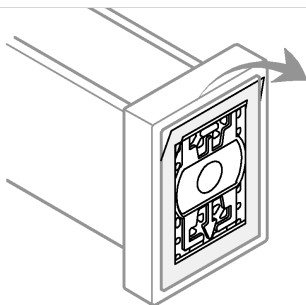




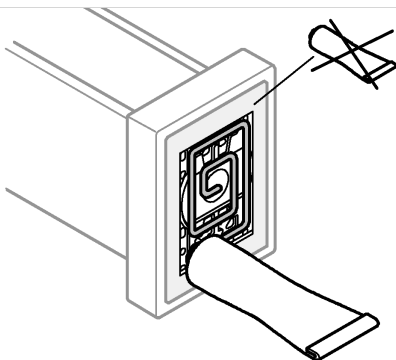
24

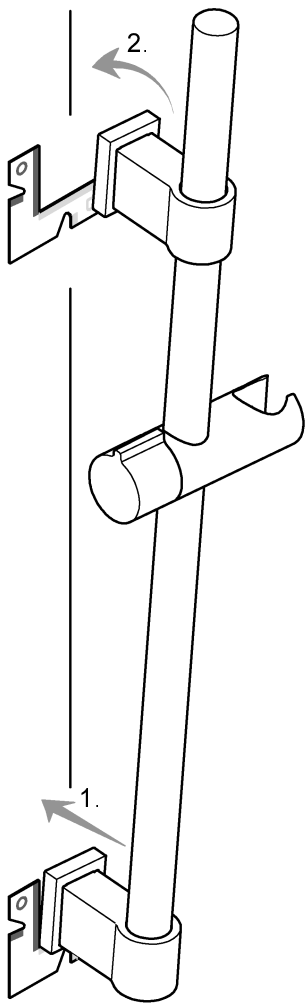


25

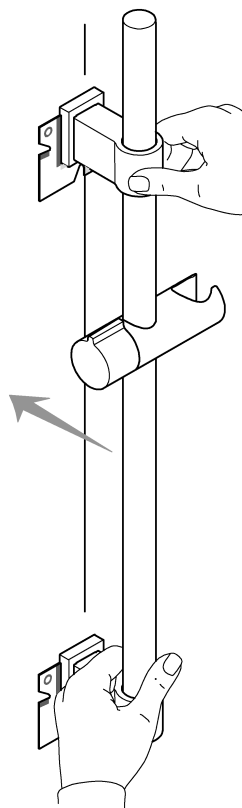


26

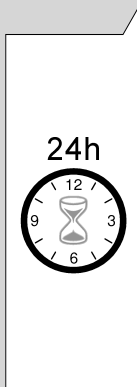




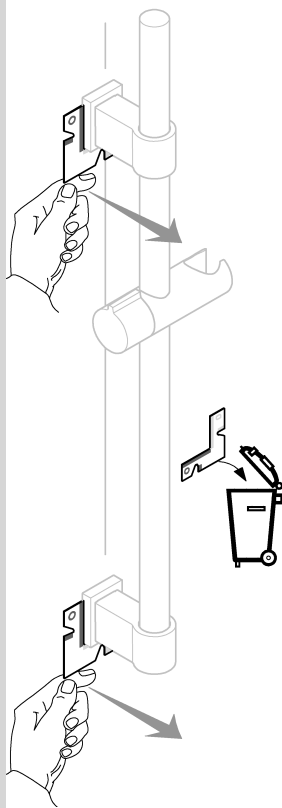
28



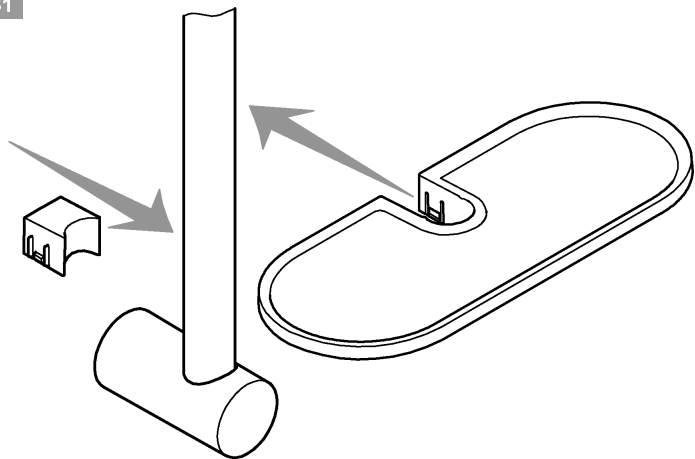
29



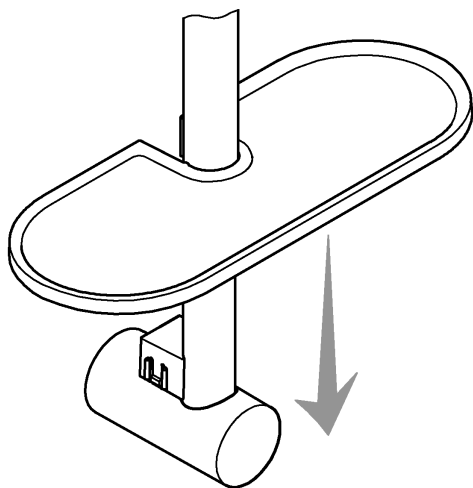
30



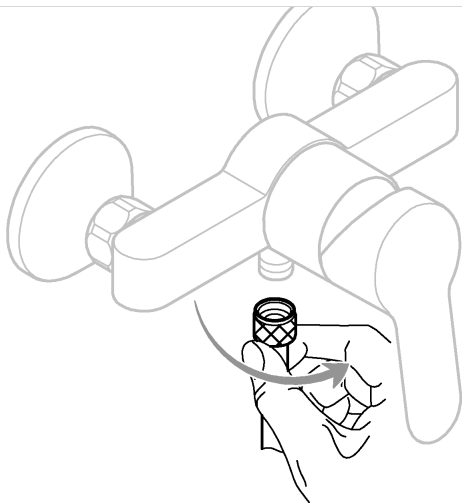
31



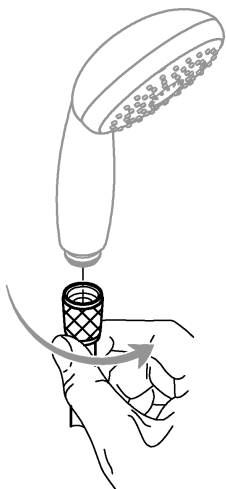
32

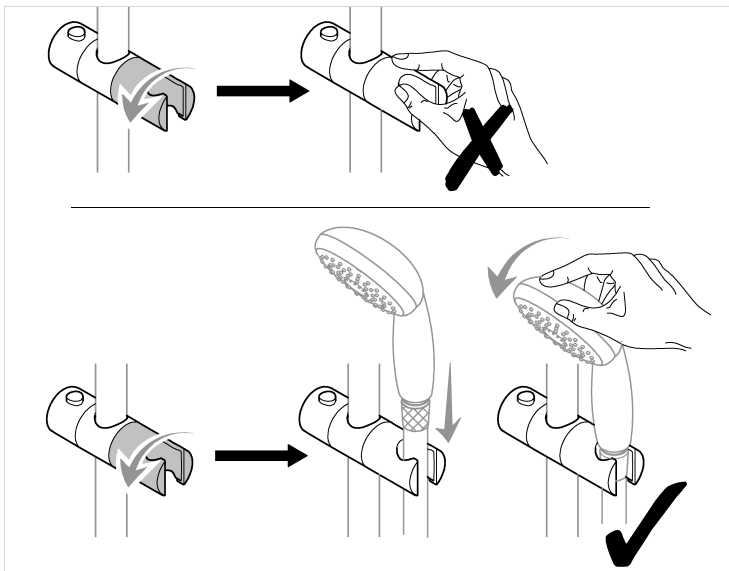


33

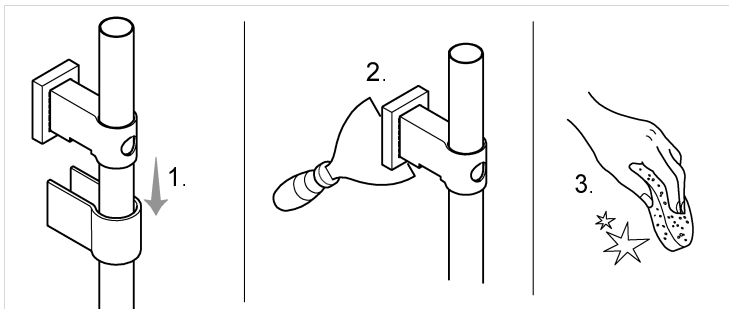


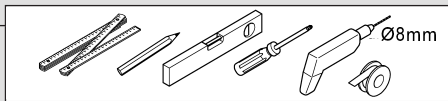
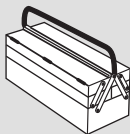
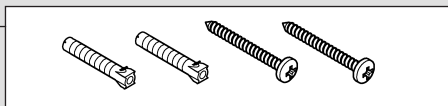
34



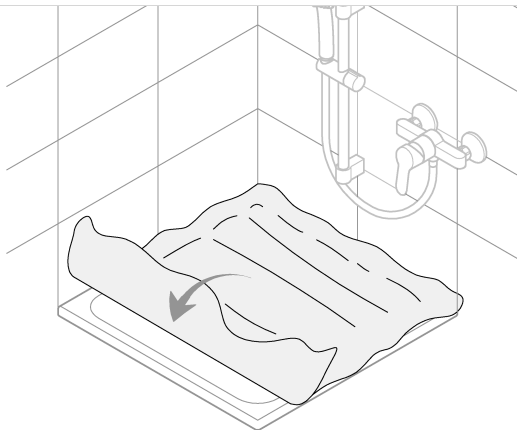


*Easy off*

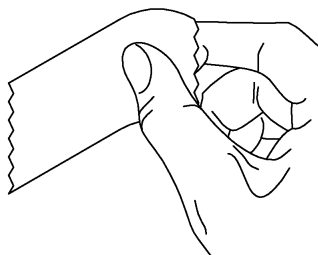




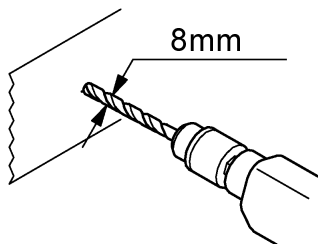
1



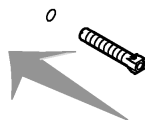
2



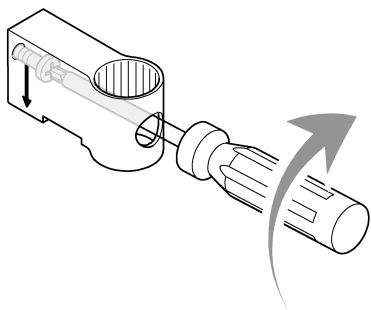
3



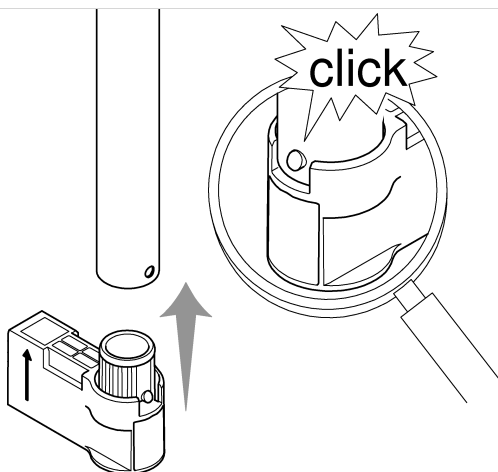
4

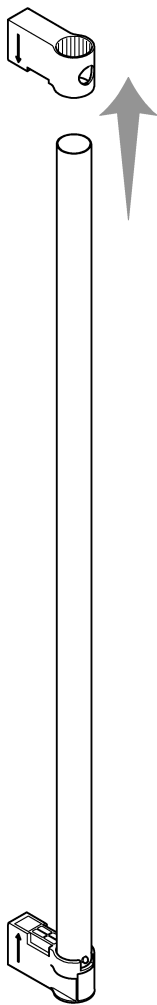


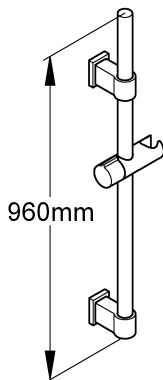
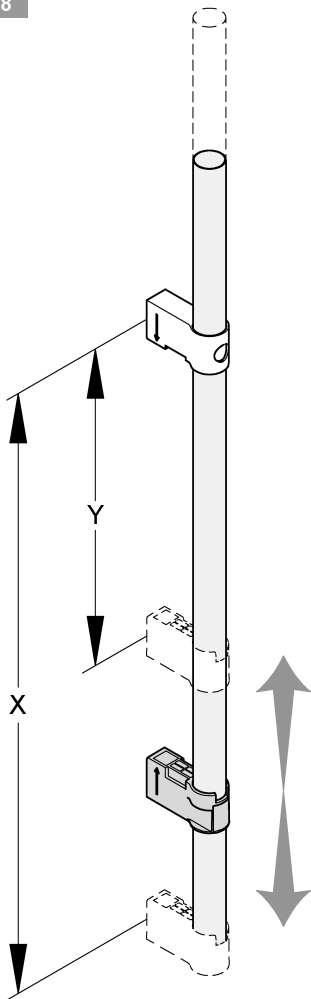
5



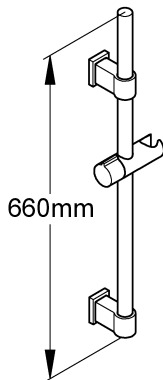
6





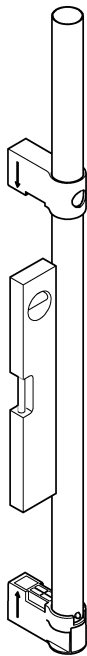


X	Y
max. 920mm	min. 770mm

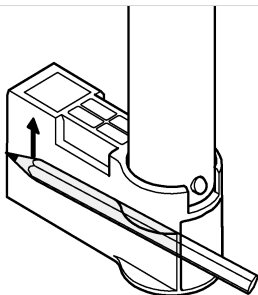


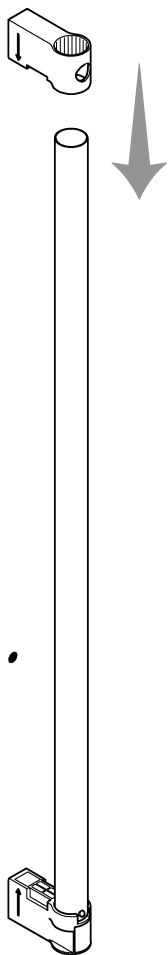
X	Y
max. 620mm	min. 470mm

9

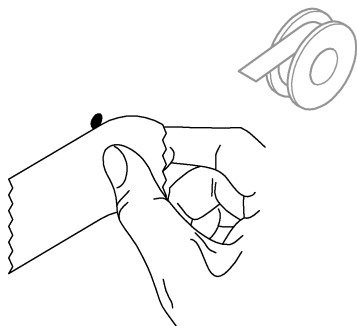


10

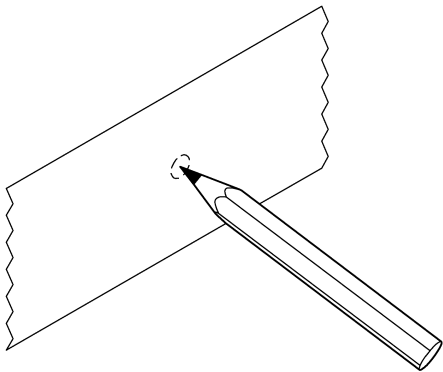




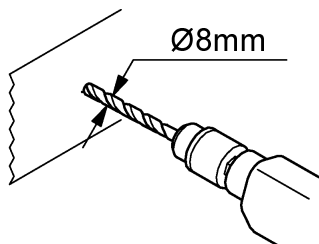
12



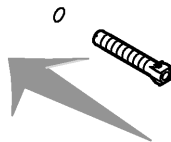
13



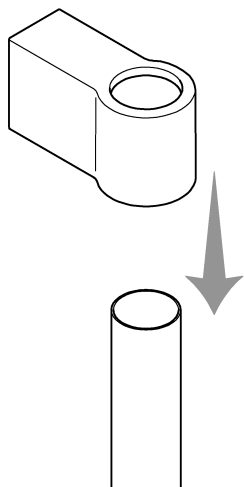
14



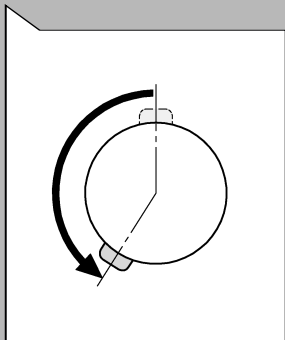
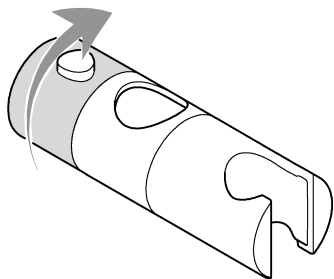
15

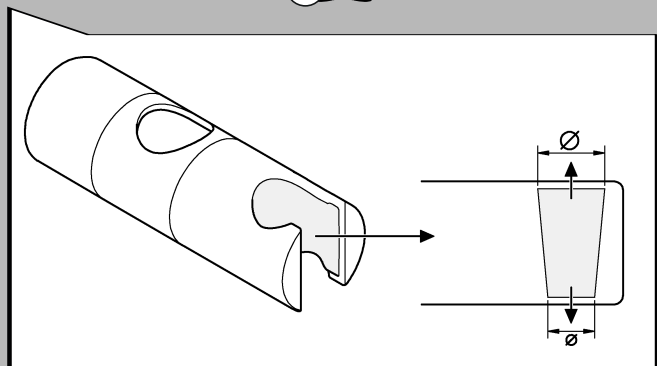
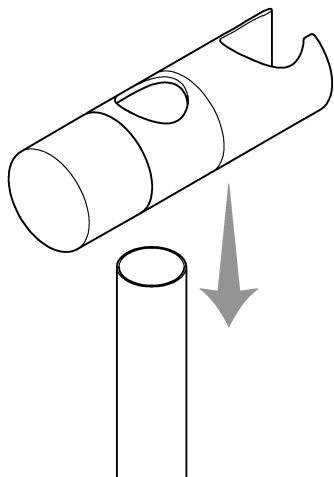


16

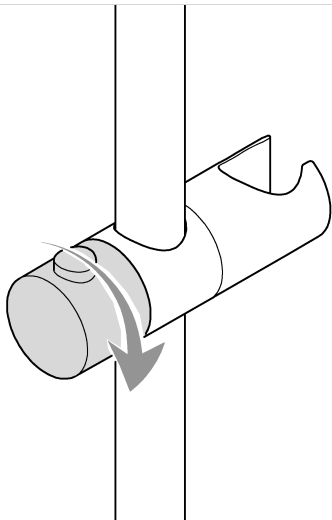


17

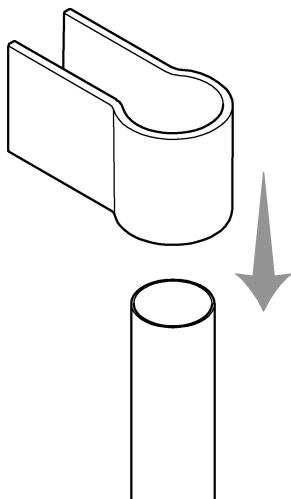


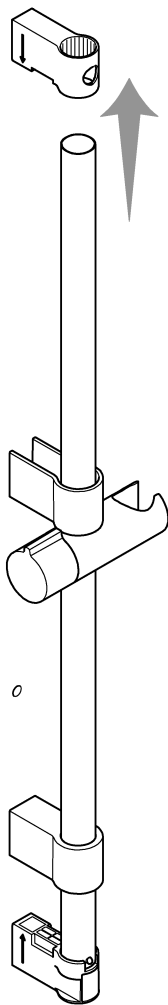


19

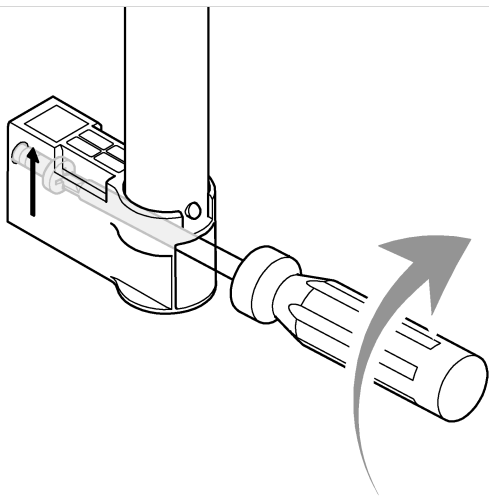


20

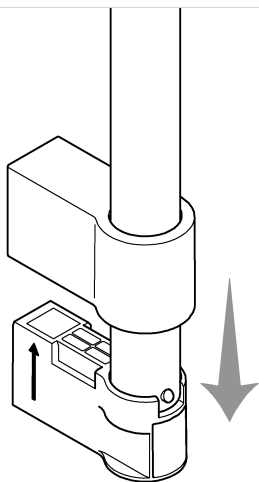




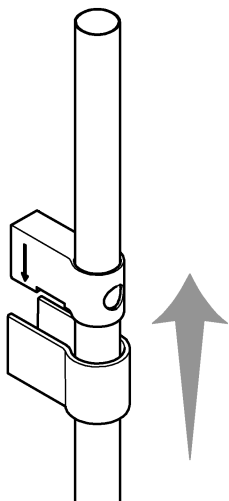
22



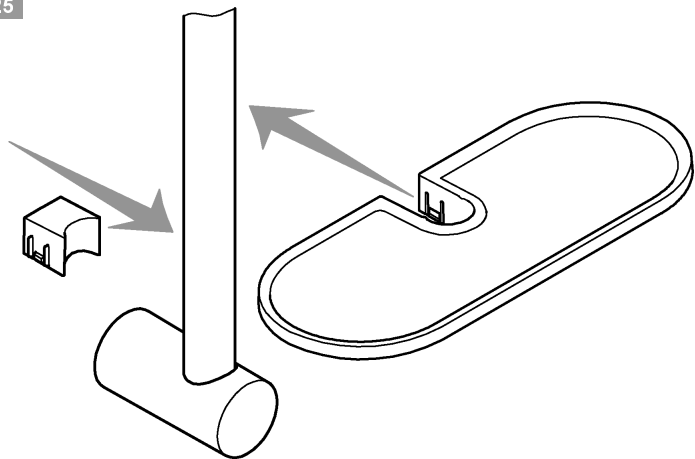
23



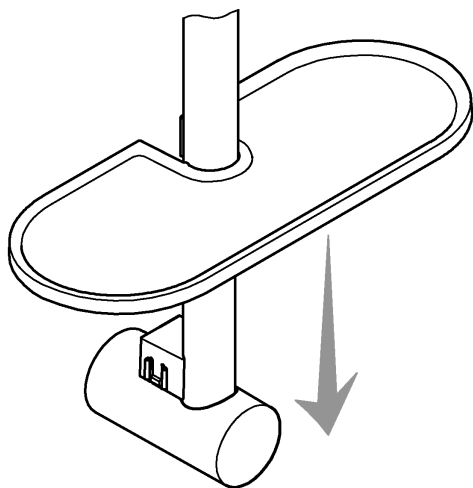
24



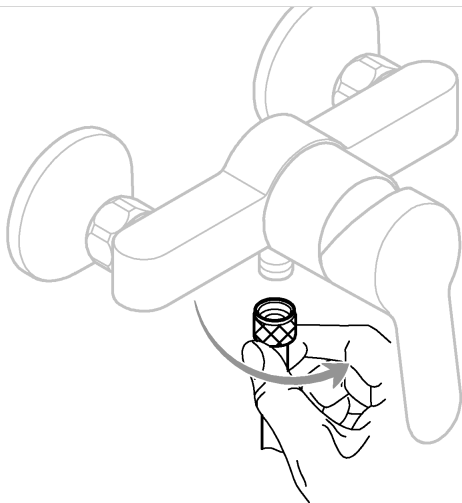
25



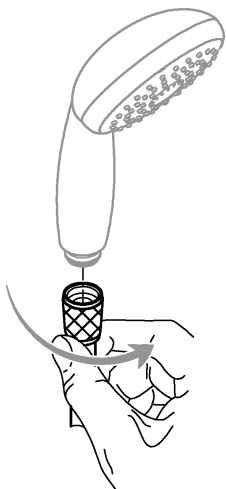
26

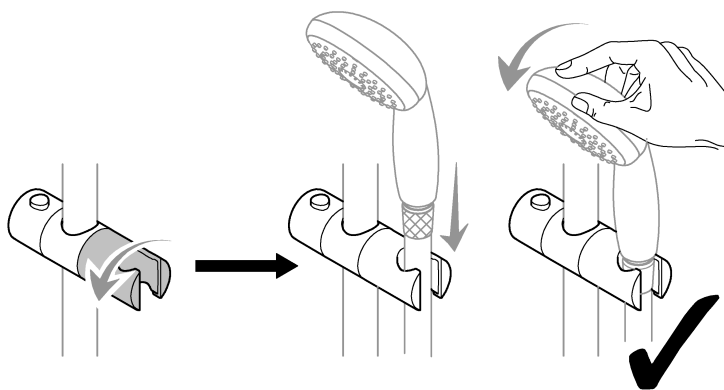
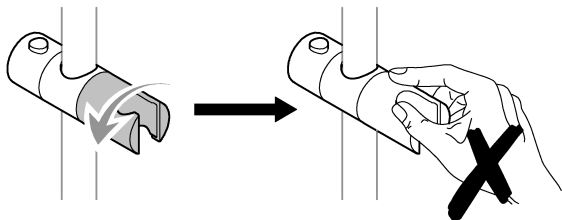


27



28





GB



The installation guide must be read carefully before commissioning and kept for future reference. Non-compliance or improper use releases the manufacturer from liability.



Installation must be performed in compliance with applicable local construction and plumbing regulations. If in doubt, contact GROHE or an expert.



Before installation, water should be rinsed through the pipe to remove any residue. Damage on the product can be avoided.



Before changing the fitting switch off main shut-off valve.



The product must not be used as a handle.



Curing takes longer if the humidity is low during installation.



To avoid tile damages, we recommend drilling into the joint. Tiles can additionally be protected with suitable adhesive tape.



Before drilling, ensure no pipes or electric cable running behind the wall at the corresponding location.



"CAUTION!  
Do not overtighten screw connections, even with the seal inserted, to avoid damage."



Check at regular intervals to make sure that the installation is not leaking.