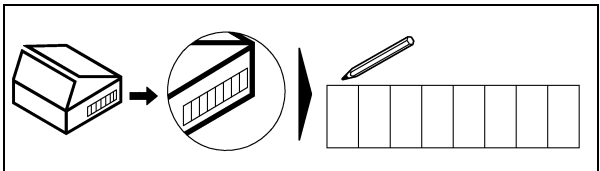
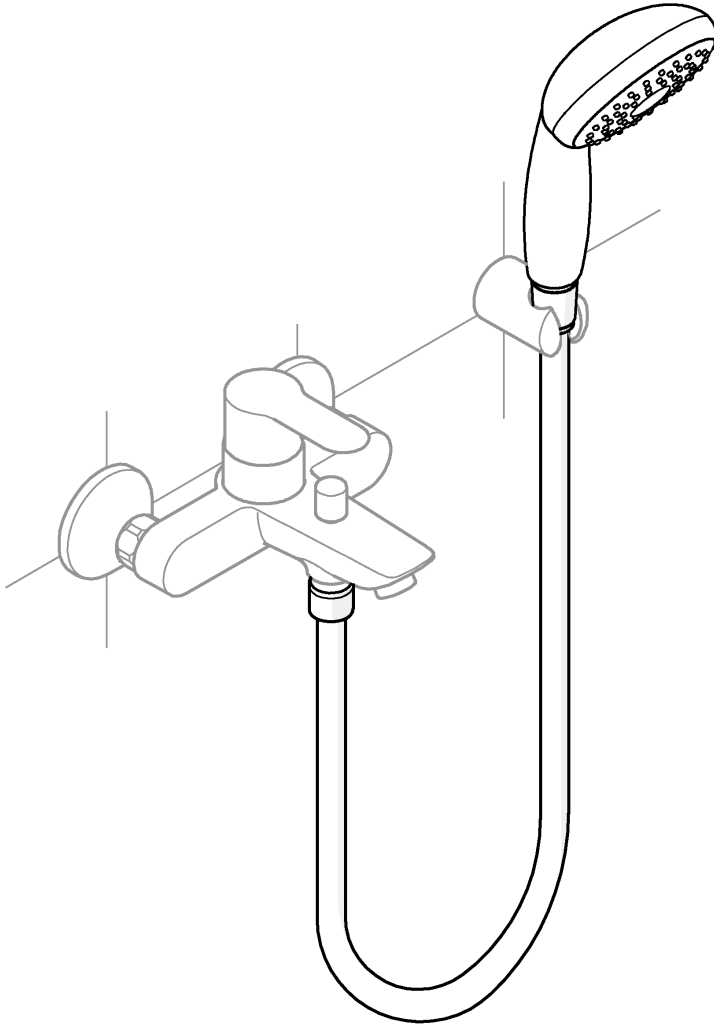



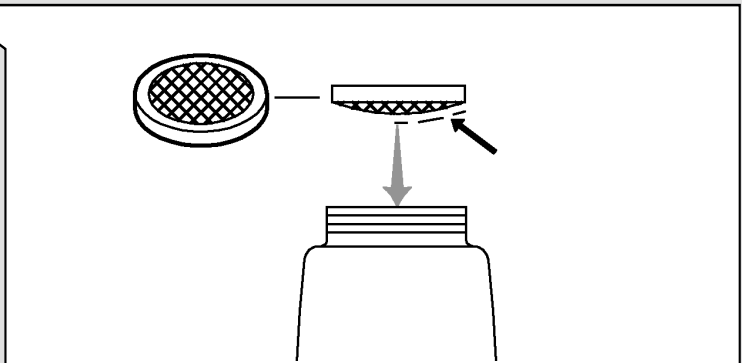
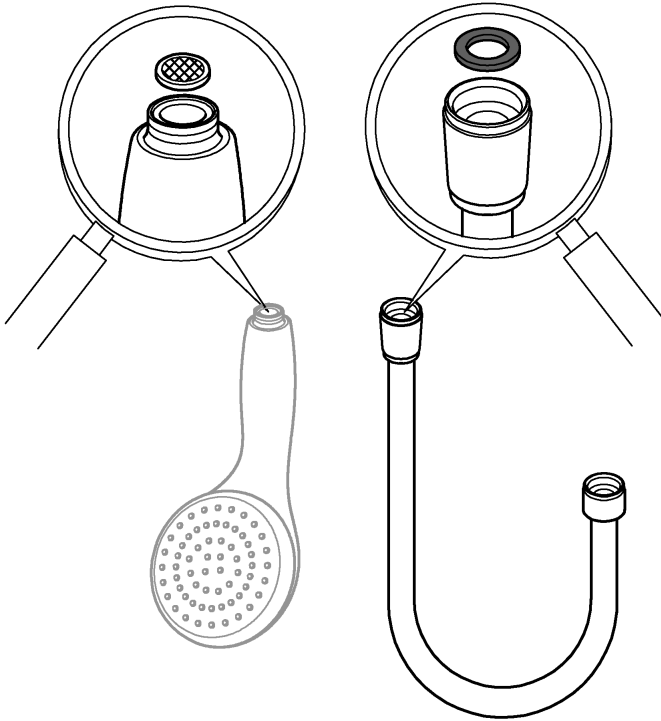
QUICKFIX



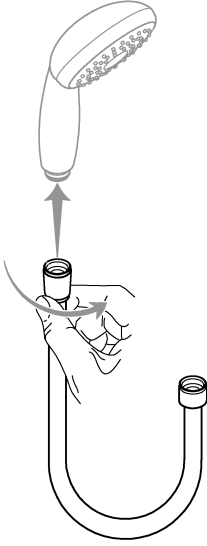


 **DIN 1988 !** **DIN EN 806 !**  
**DIN EN 1717 !**

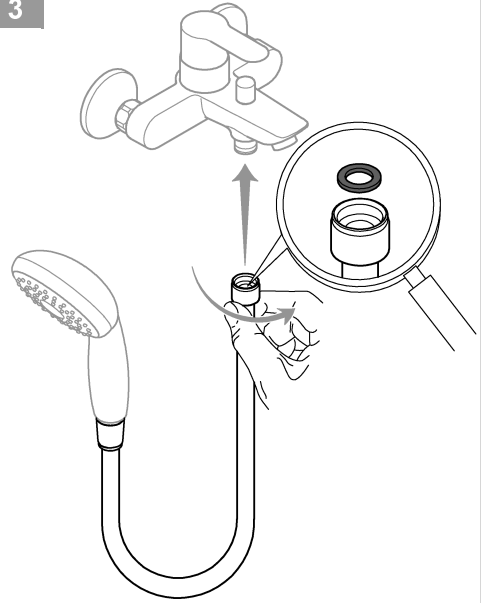
1



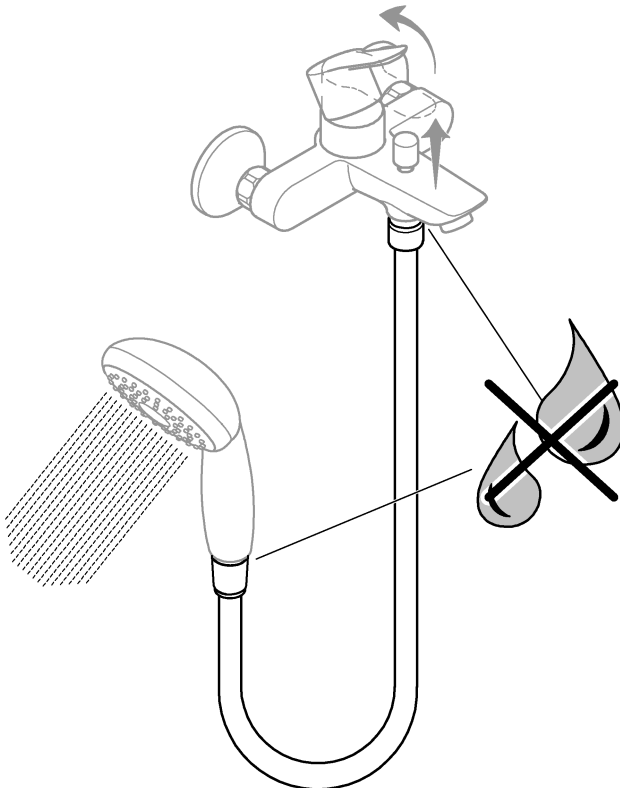
2



3

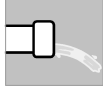


4





Installation must be performed in compliance with applicable local construction and plumbing regulations. If in doubt, contact an expert.



Before installation, water should be rinsed through the pipe to remove any residue. Damage on the product can be avoided.



Close water flow with faucet



**"CAUTION!**  
Do not overtighten screw connections, even with the seal inserted, to avoid damage."



Check at regular intervals to make sure that the installation is not leaking.