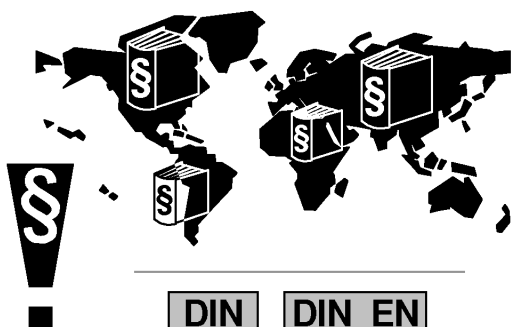





	47 439 49 110		*27 180		*49 059	
	*47 175					






**DIN
1988**

**DIN EN
806**

 **bar**

max. 10
0,5  1  

 **psi**

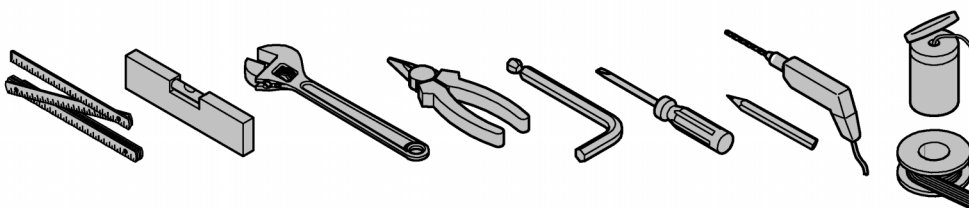
max. 145
7.25  14.5  

 **°C**

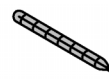
max. 70°   60° 

 **°F**

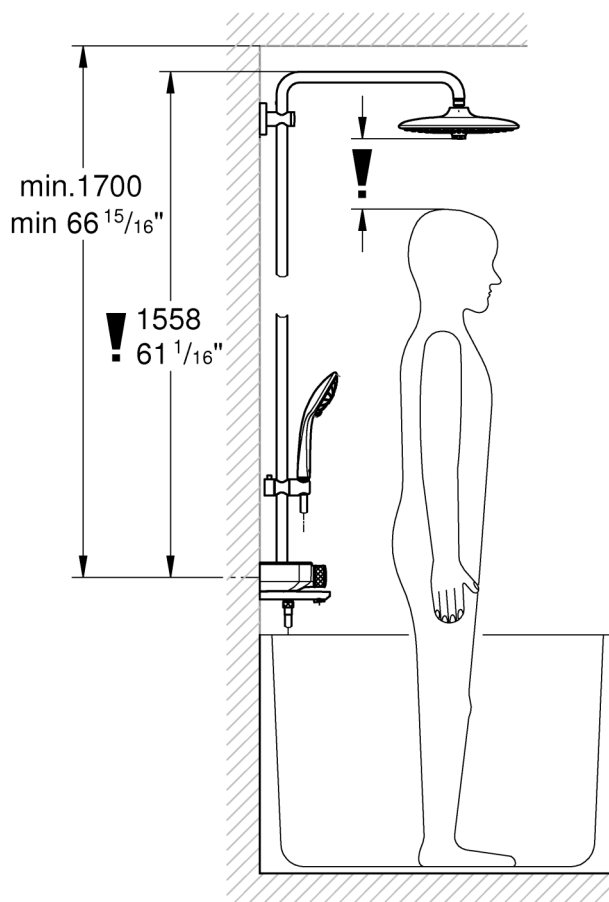
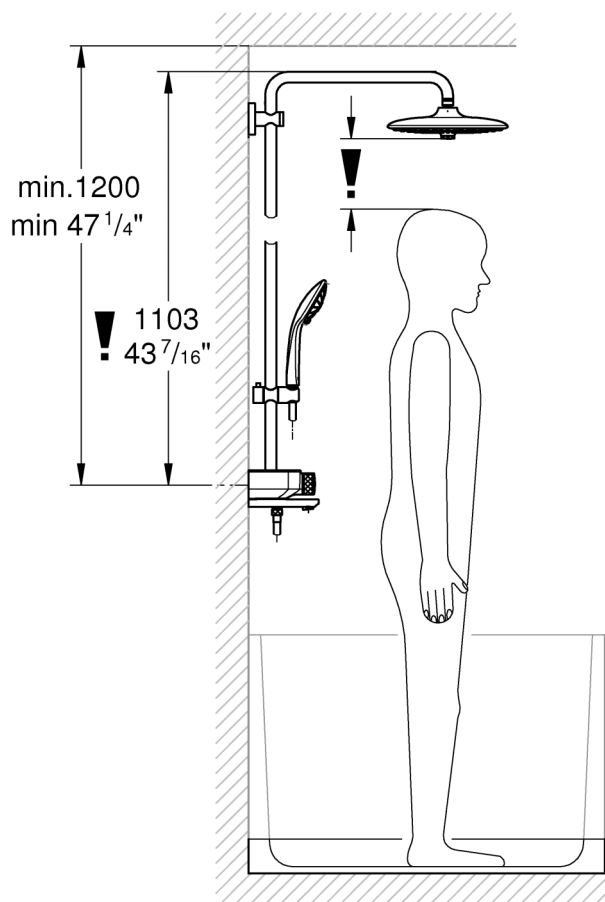
max. 158°   140° 



*19 001 *49 059

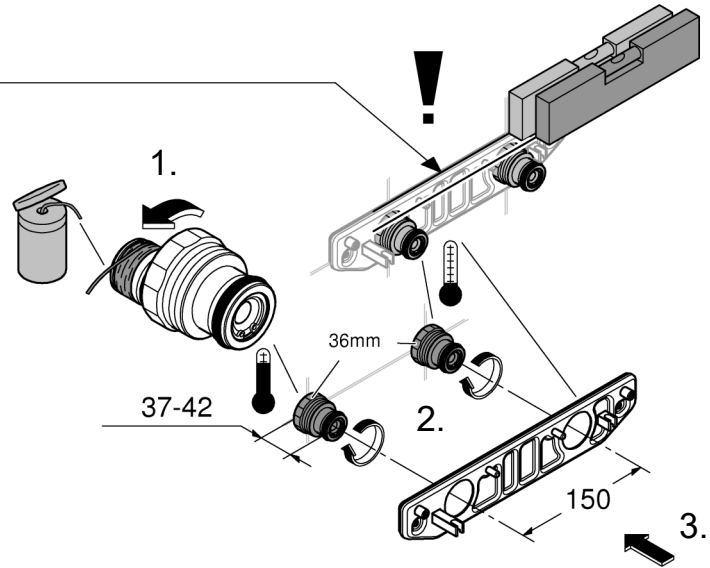
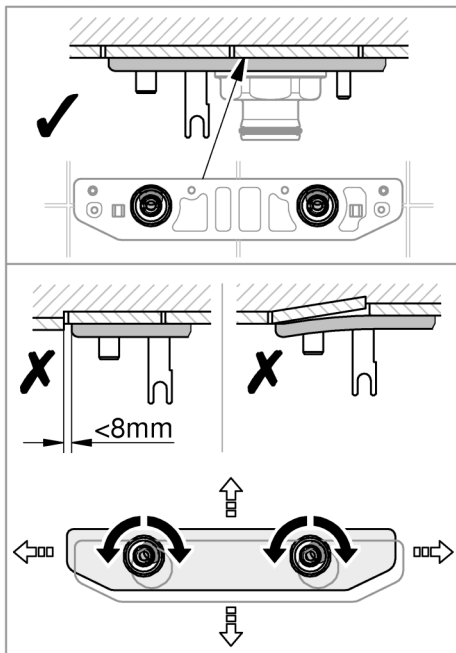


36mm



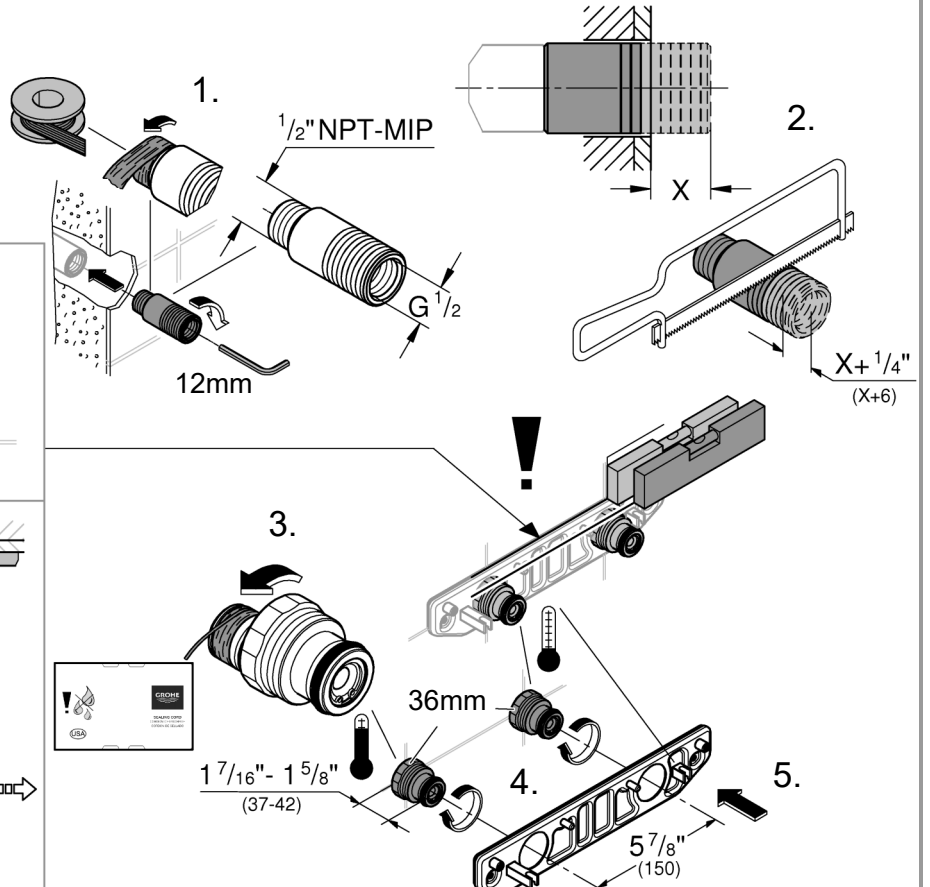
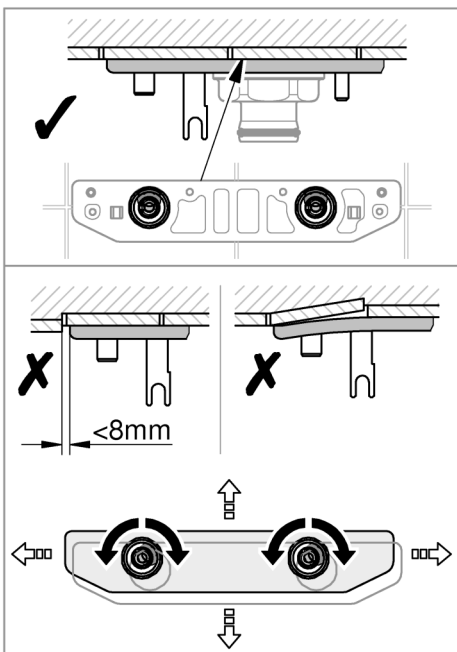
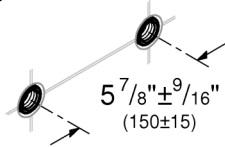


1a



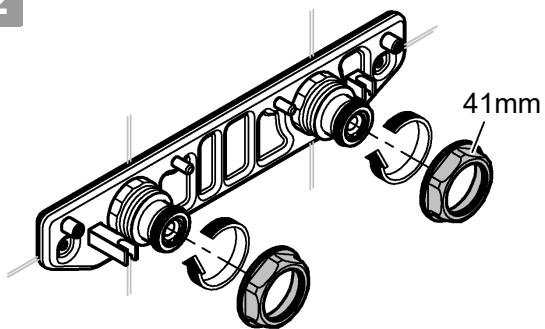
1b

(USA)

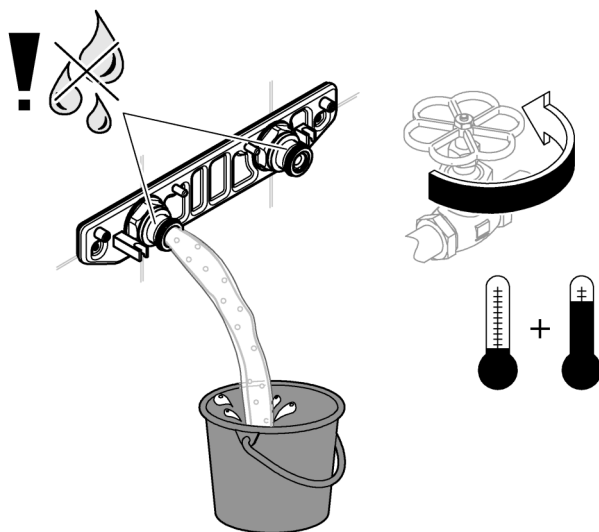




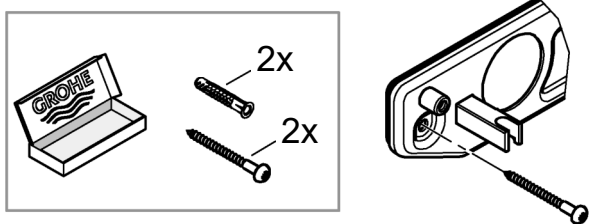
2



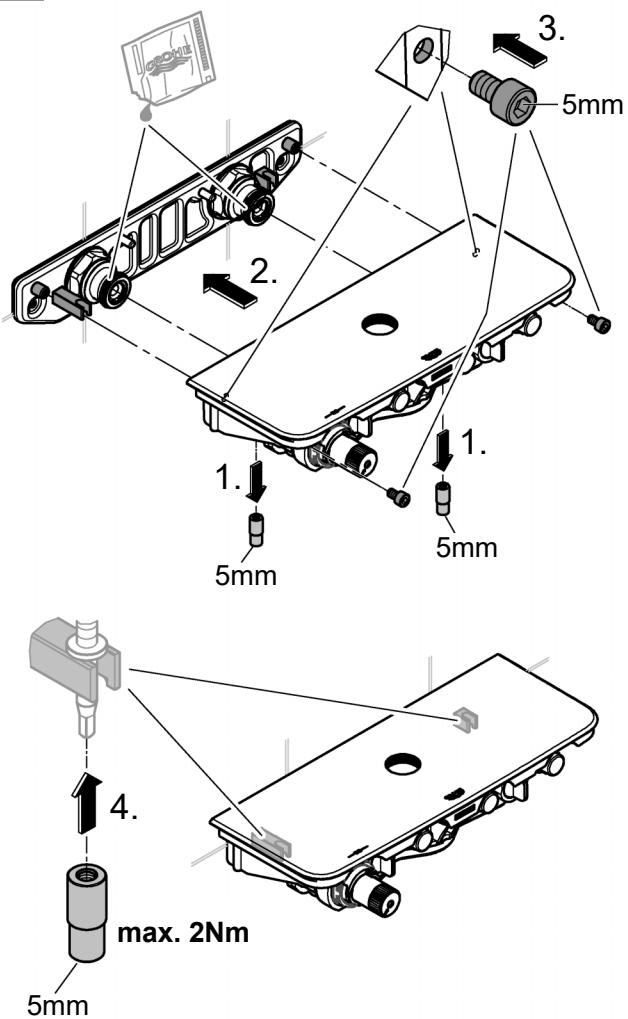
4



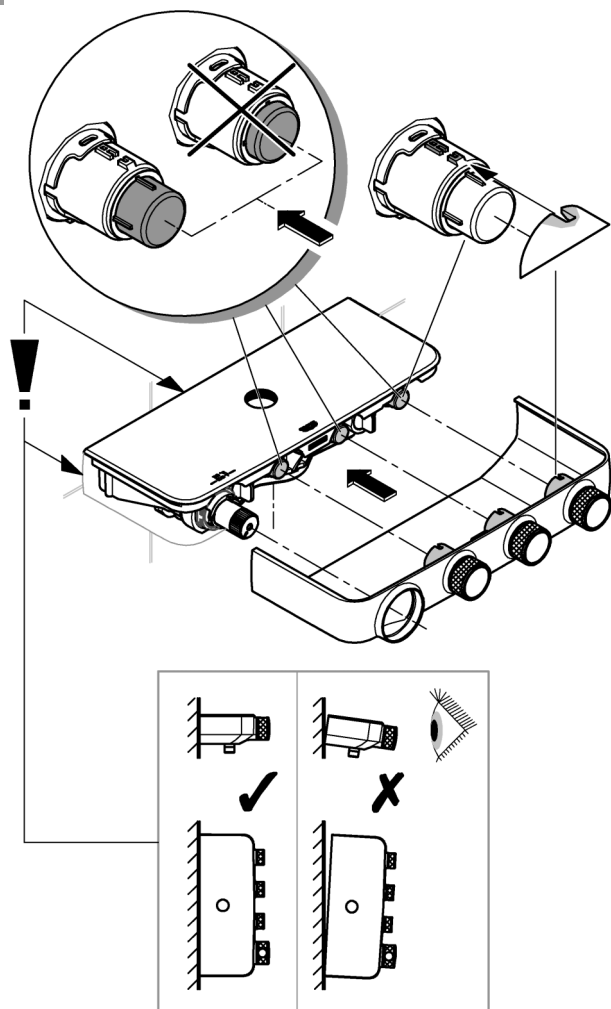
3



5

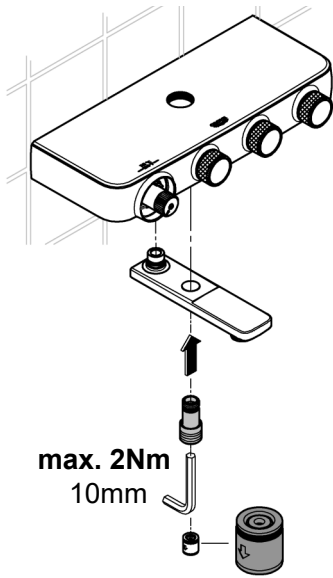


6

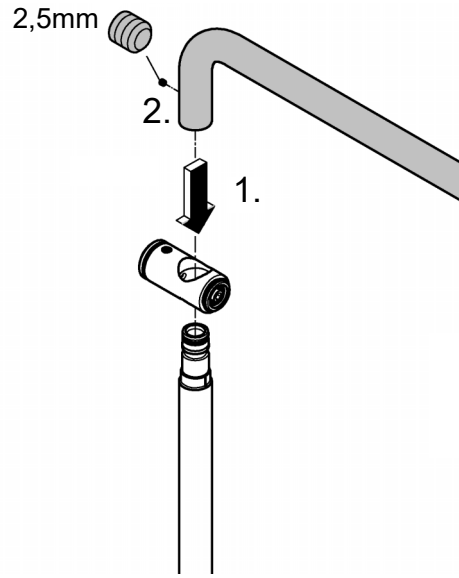




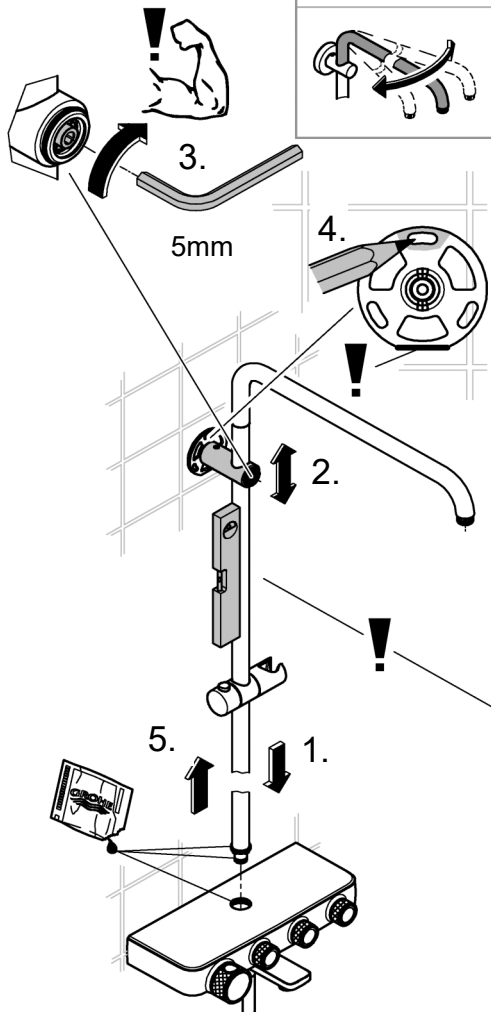
7



8



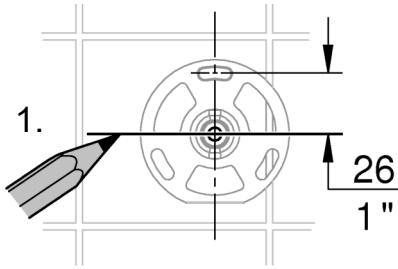
9



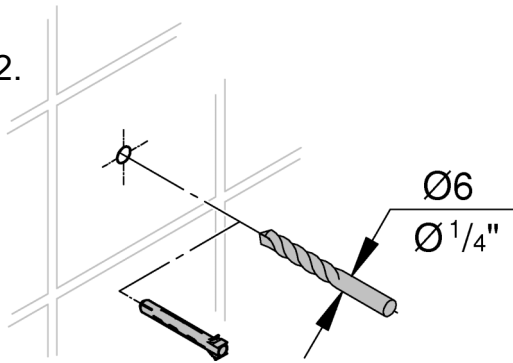
	X	Y
	1012-1037	1467-1492 57 ³ / ₄ " - 58 ³ / ₄ "
	897-997	1352-1452 53 ¹ / ₄ " - 57 ³ / ₁₆ "
	1103 X	
		1558 61 ¹ / ₁₆ " Y



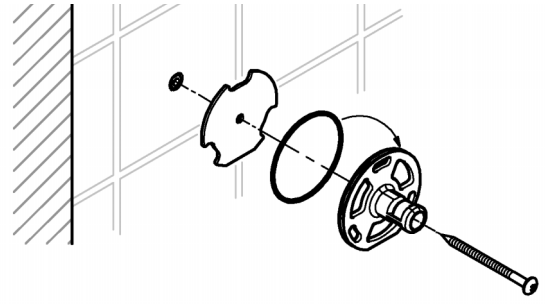
10



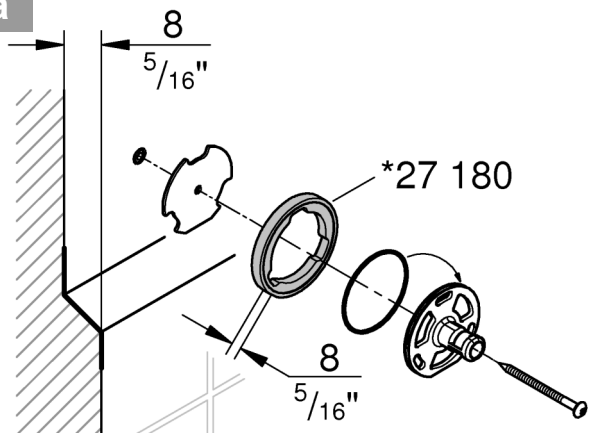
2.



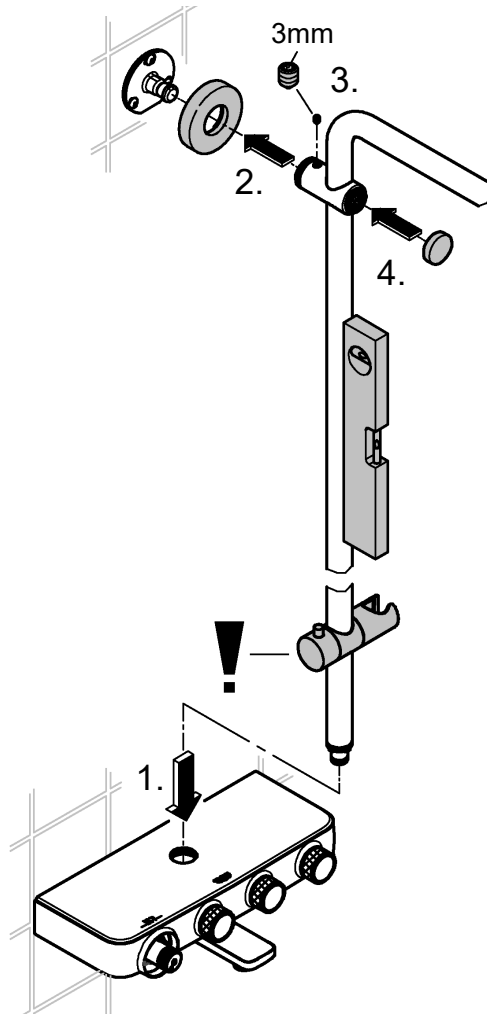
11a

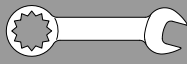


11a

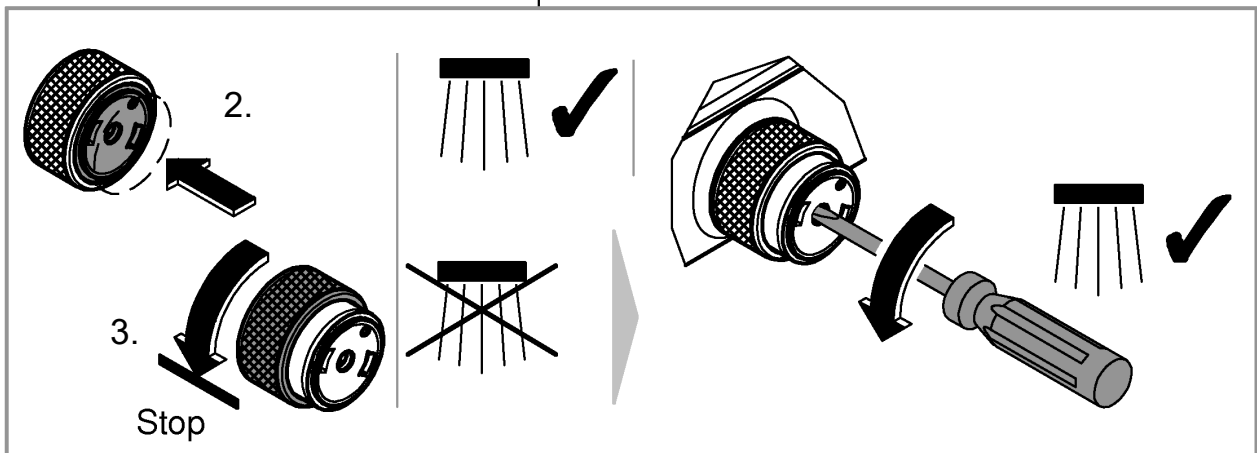
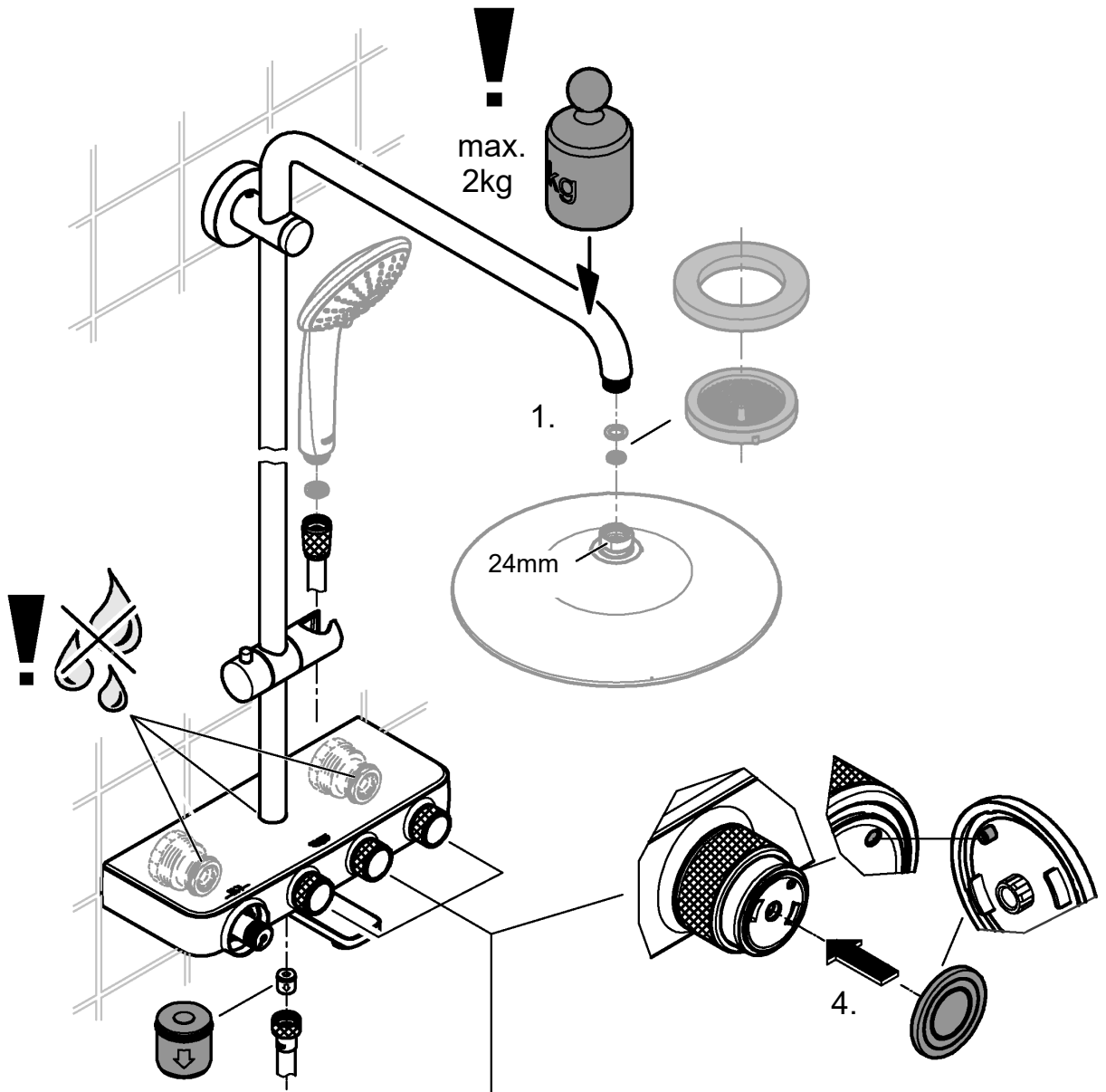


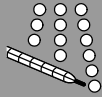
12



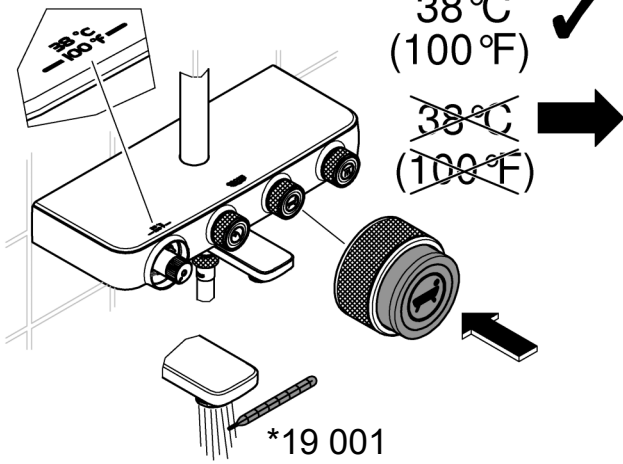


13

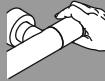
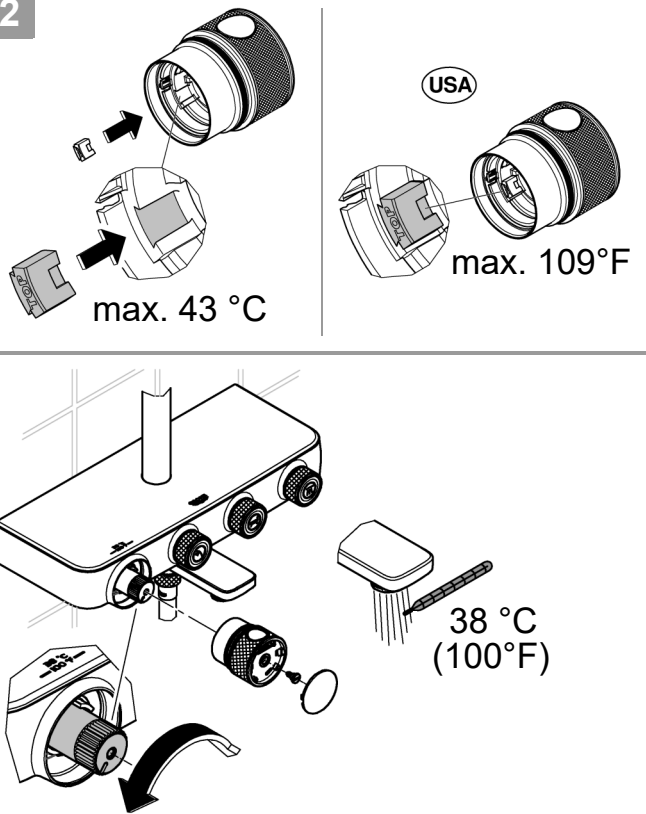




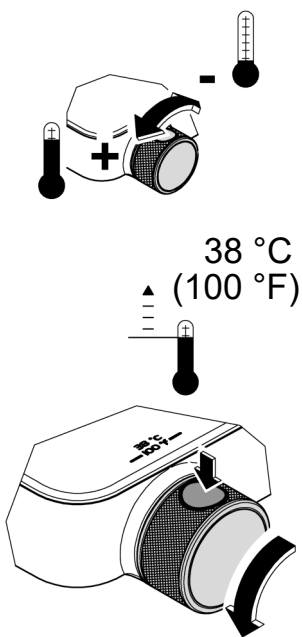
1



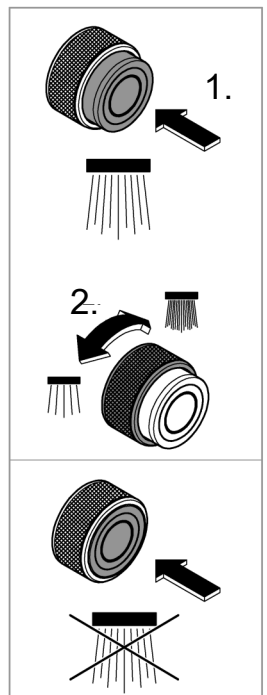
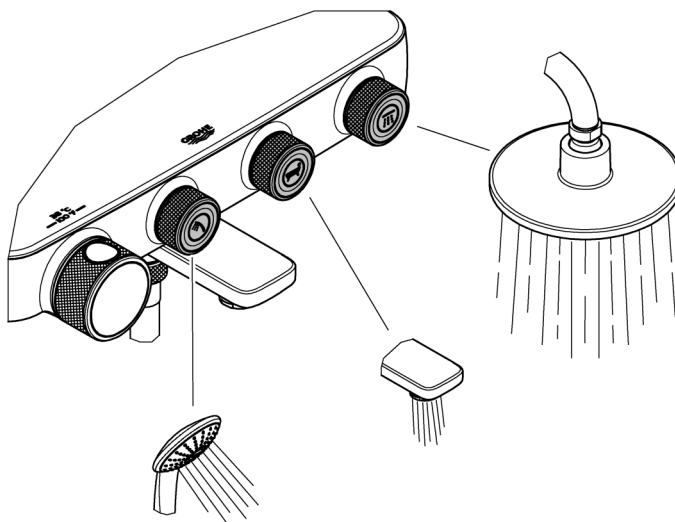
2




1

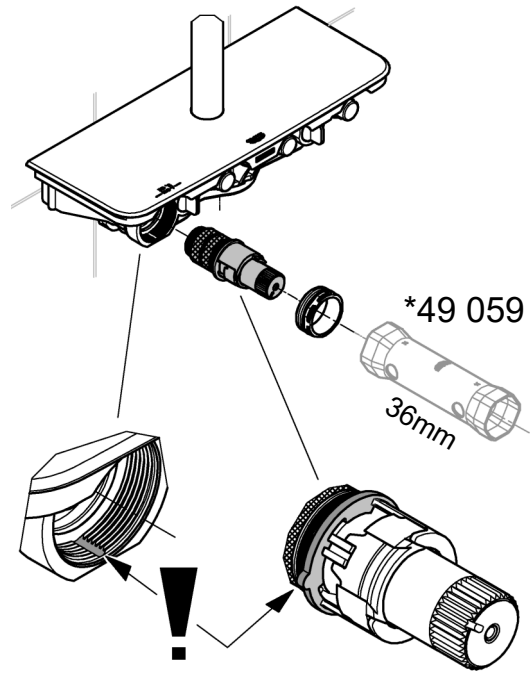
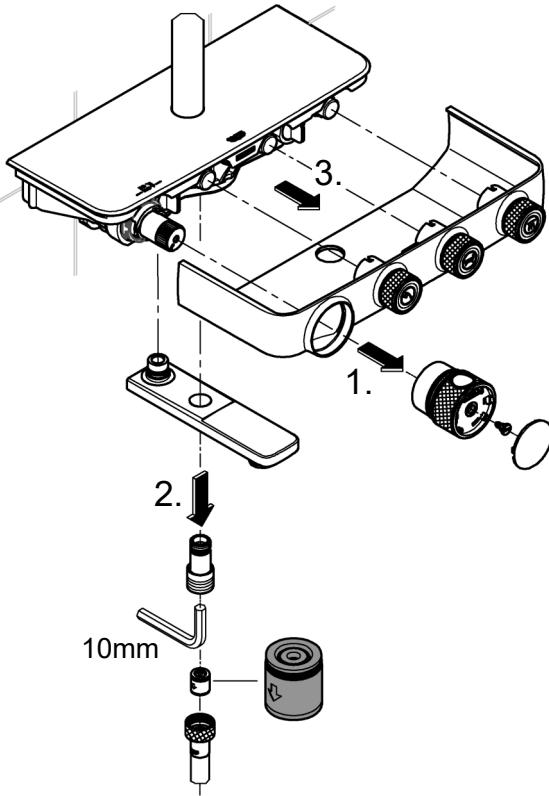
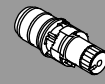



2

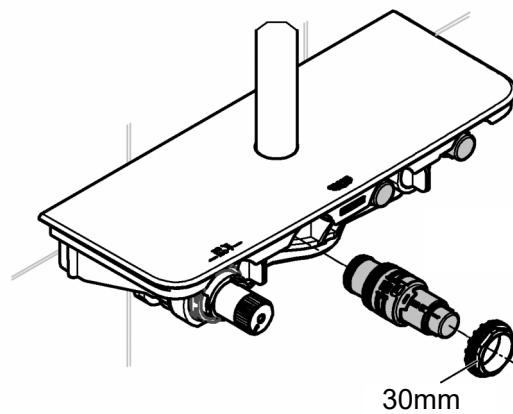
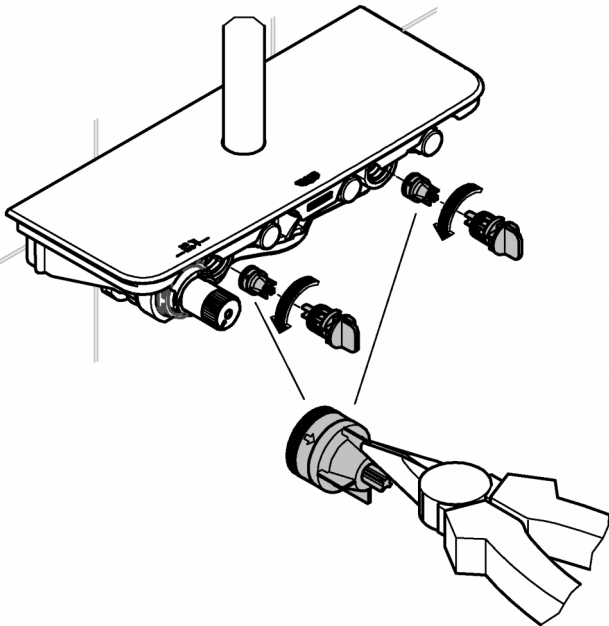




MAINTENANCE 

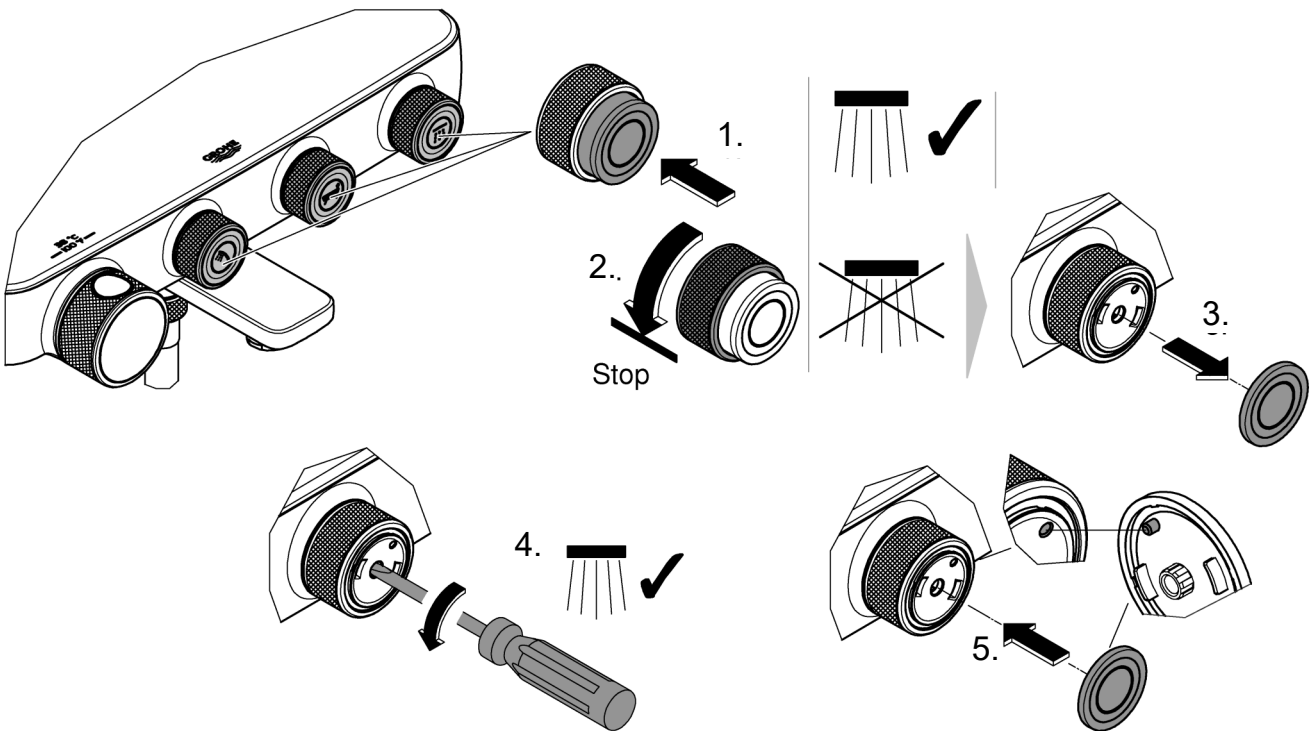
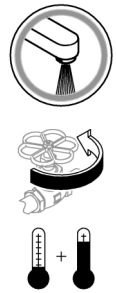
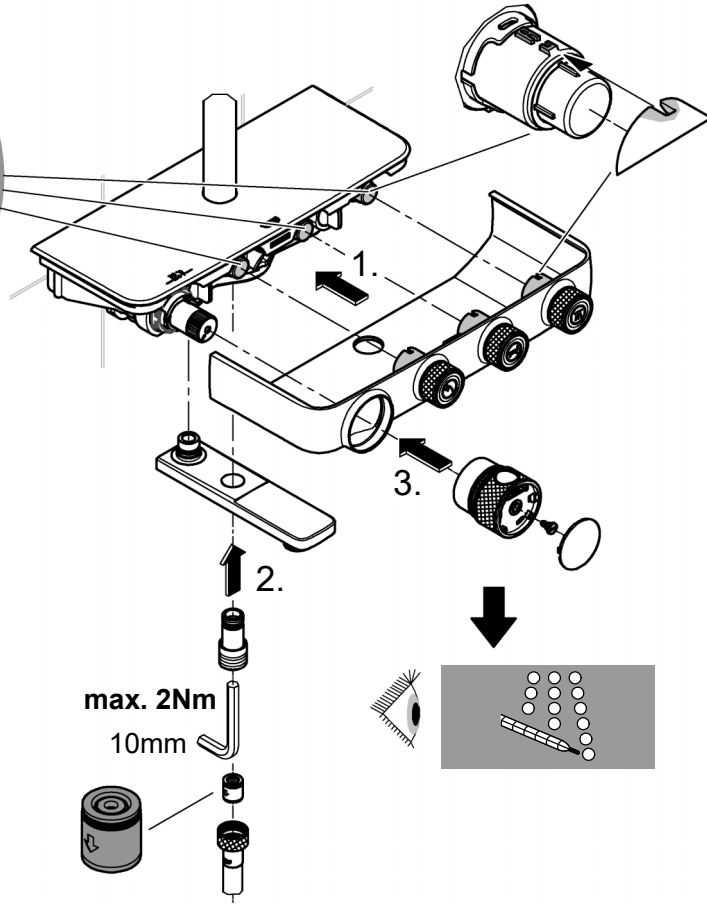
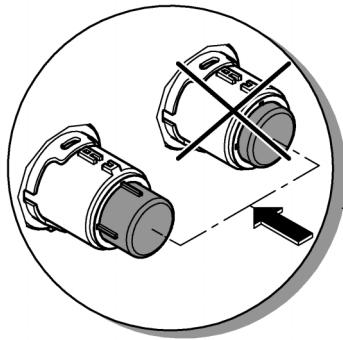
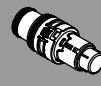
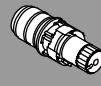


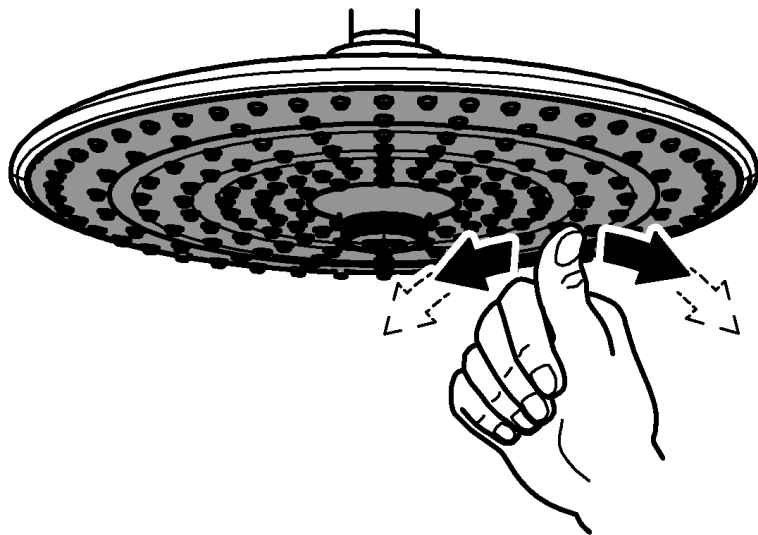
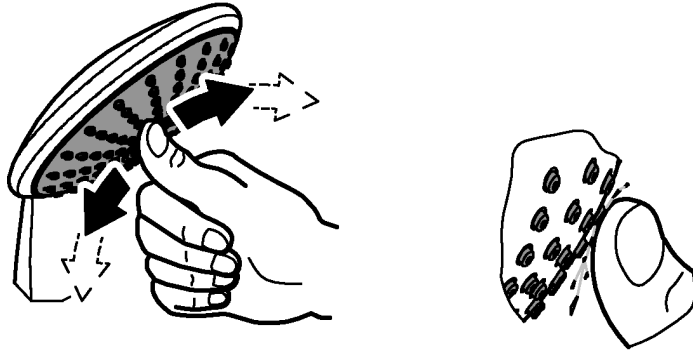
MAINTENANCE 





MAINTENANCE 





GB

Safety notes



Protection against scalding

It is recommended that near points of discharge with particular sensitivity to the outlet temperature (hospitals, schools, nursing and retirement homes) thermostatic devices should be installed which can limit the water temperature to 43 °C. The product includes an appropriate temperature end stop. It is generally recommended that the temperature of shower-systems should not exceed 38 °C in nurseries and specific areas of care centres. Use Grohtherm Special thermostats with special handle to facilitate thermal disinfection and appropriate safety end stop. Applicable standards (e. g. EN 806-2) and technical regulations for drinking water must be observed.

Application

Thermostat mixers are designed for hot water supply via pressurised storage heaters and, utilised in this way, provide the best temperature accuracy. With sufficient power output (from 18 kW or 250 kcal/min), electric or gas instantaneous heaters are also suitable.

Thermostats **cannot** be used in conjunction with non-pressurised storage heaters (displacement water heaters).

All thermostats are adjusted in the factory at a flow pressure of 3 bar on both sides.

Should temperature deviations occur on account of special installation conditions, the thermostat must be adapted to local conditions (see Adjusting).

Specifications

Safety stop 38 °C
Hot water temperature at supply connection min. 2 °C higher than mixed water temperature
Thermal disinfection possible
Minimum flow rate = 5 l/min
If static pressure exceeds 5 bar, a pressure reducing valve must be fitted.

Installation



Reversed connection (hot on right - cold on left).

Replace thermostatic compact cartridge, see Replacement parts, Prod. no.: 47 175 (1/2").

Installation of the shower rail

When installing e.g. on plasterboard walls (not solid walls) it must be assured that an appropriate reinforcement is in place to ensure sufficient strength.

Adjusting



Temperature adjustment, see page 7 Fig. [1].

Temperature end stop

If the temperature end stop is at 43 °C, insert accompanying temperature limiter in temperature selection handle, see Fig. [2].

Operation



The safety stop limits the temperature range to 38 °C.

The 38 °C limit can be overridden by pressing the button, see page 7 Fig. [1].

Shut-off valves, see Fig. [2].

Prevention of frost damage

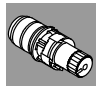
When the domestic water system is drained, thermostat mixers must be drained separately, since non-return valves are installed in the hot and cold water connections. For this purpose, the mixer must be removed from the wall.

Maintenance



Inspect and clean all parts, replace if necessary and lubricate with special valve grease.

Shut off the hot and cold water supply.



Thermostatic compact cartridge,

see page 8 and 9.

Readjustment is necessary after every maintenance operation on the thermostatic compact cartridge (see Adjusting).



Shut-off valves, see page 8 and 9.

Readjustment is necessary after every maintenance operation on the shut-off valves, see page 9.



Showers, see page 10.

The function of the SpeedClean nozzles is guaranteed for a period of five years.

Thanks to the SpeedClean nozzles, which must be regularly cleaned, limescale deposits on the rose can be removed by simply rubbing with the fingers.

Replacement parts



(* = special accessories).

Care

For directions on care, refer to the accompanying Care Instructions.