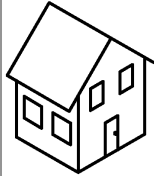




# i



 **psi**

max. 72.5  
145  14.5

 **bar**

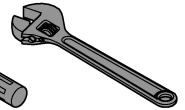
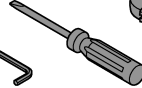
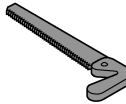
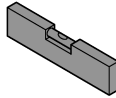
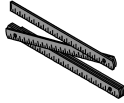
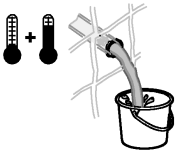
max. 5  
0,5  1

 **°F**

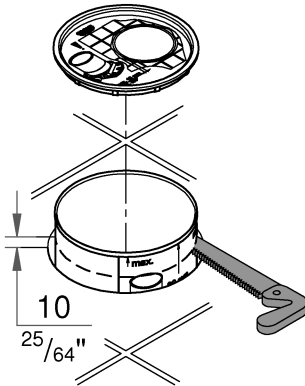
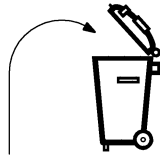
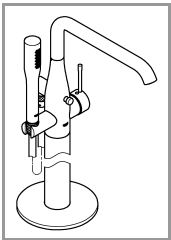
max. 158°  140°

 **°C**

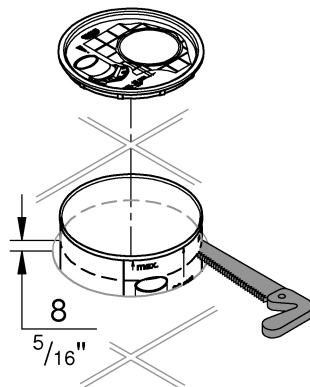
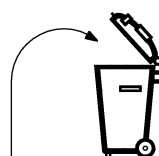
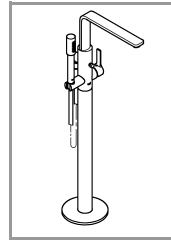
max. 70°  60°



1a

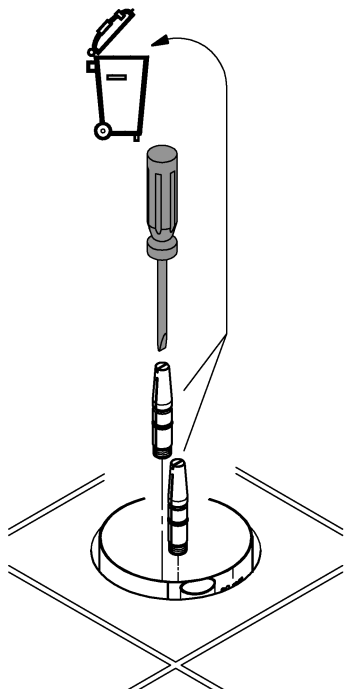


1b

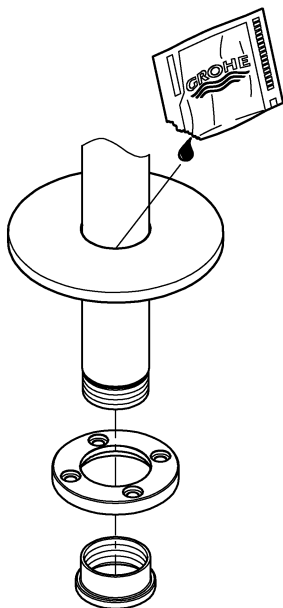




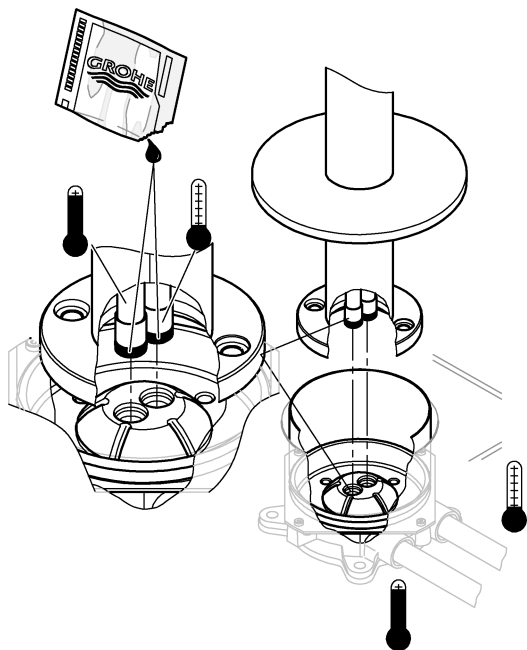
2



3

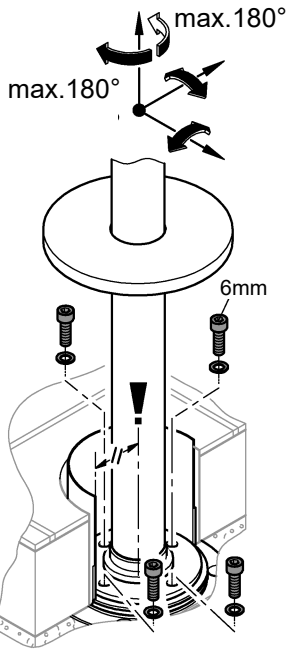


4

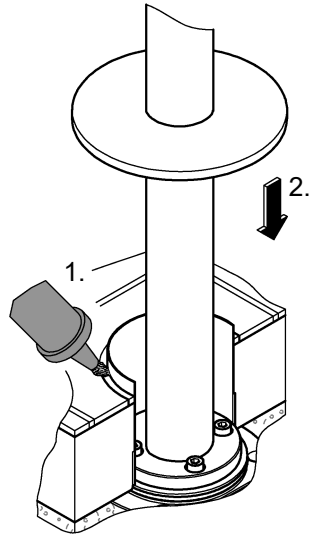




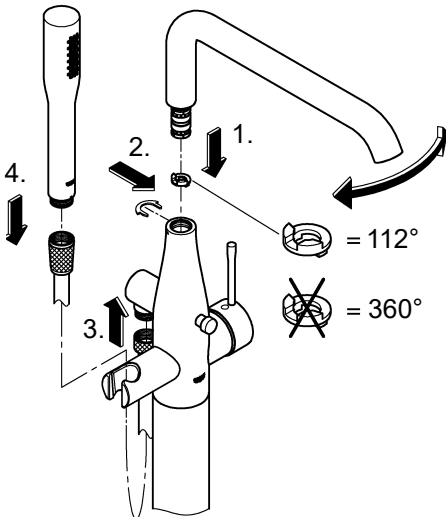
5



6



7a



7b

