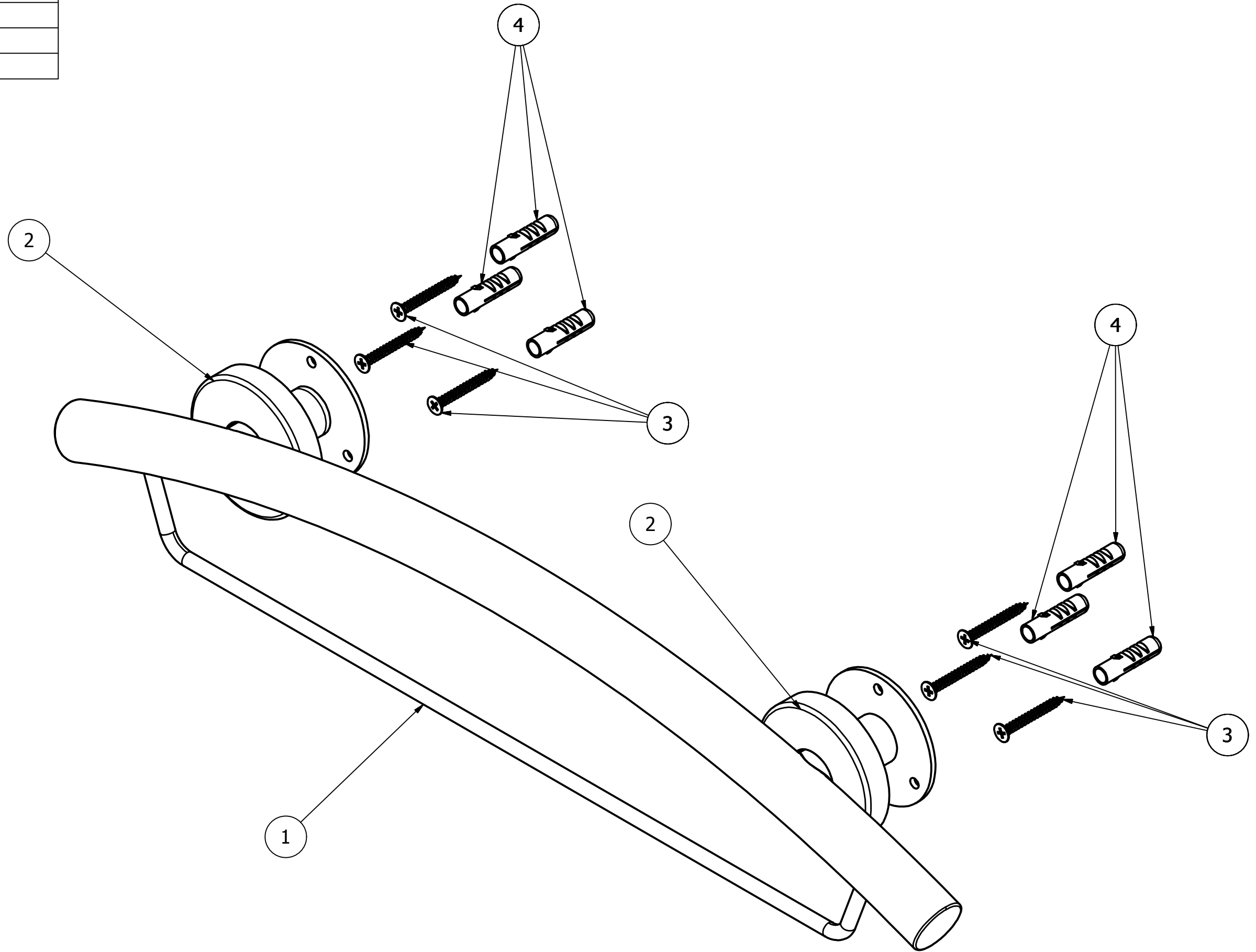


PARTS LIST		
ITEM	QTY	PART NUMBER
1	1	2IN1007 Rail
2	2	Mounting covers
3	6	Screw
4	6	Wall plug

Installation guide for 2IN1007



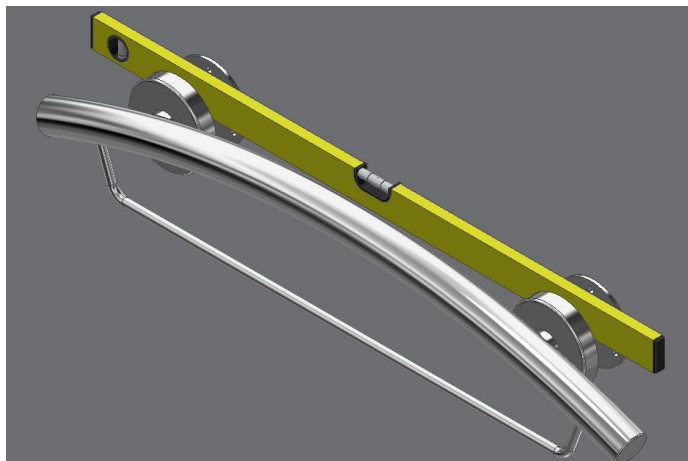
IF FURTHER ASSISTANCE IS NEEDED PLEASE CONTACT YOUR RETAILER OR ALTERNATIVLY CALL OUR CUSTOMER SERVICE TEAM ON 01924 666590

TO ENSURE THE CORRECT INSTALLATION IS EXECUTED IT IS RECOMMENDED USING A QUALIFIED COMPETENT INSTALLER TO INSTALL THE PRODUCT.

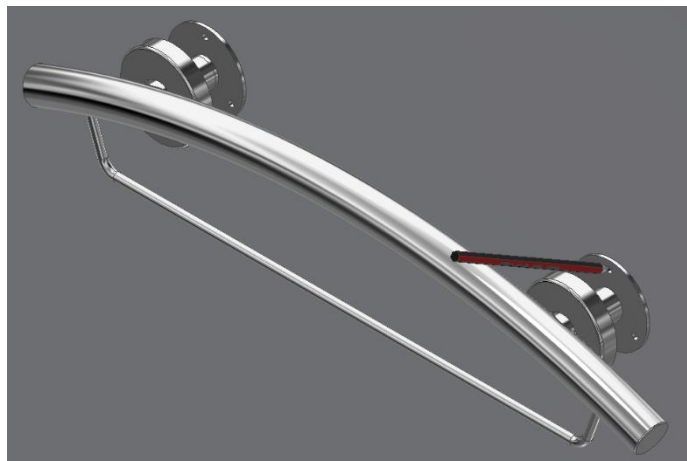
Installation guide for 2in1007

Use personal protection equipment where necessary

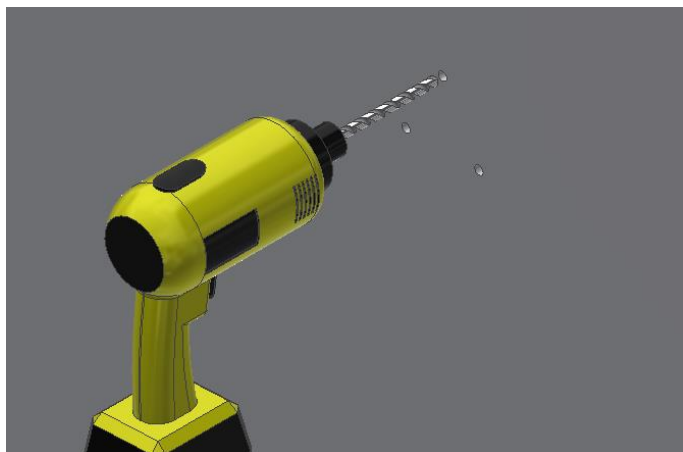
Ensure that the wall covering you are installing on is fully sealed and cured (tiles etc)



Place the shelf in the desired location. Make sure that it is square and level



Mark the location of the holes onto the wall



Using a suitable drill bit for the wall plugs and the wall, drill holes for the wall plugs. Before drilling, check for pipes and cables.



Insert the wall plugs into the holes



Place the shelf back into position



Screw the shelf in place and fit the shroud covers over the top

Clean regularly

Do not use abrasive products on any surfaces

Bathroom products are vulnerable to acid attack and some household consumables such as hair dye, disinfectants, denture cleaners etc can contain such acids.

Contact with these materials should be avoided.

This instruction guide is for illustration purposes and may not be an exact representation of the physical product.

For full terms and conditions, please refer to the manufacturer

Check out our full range of Bathroom Accessories

Bathroom Accessory Sets

Heated Towel Rails

Bathroom Extractor Fans

Bathroom Lighting

Shower Seats

Grab Rails

Shower Curtains

Toilet Brushes

Bathroom Cleaning Products

Wall Mounted Bathroom Accessories

Robe Hooks

Bathroom Tumblers

Toilet Roll Holders

Soap Dishes

Towel Rings

Shower Caddies

Bathroom Mirrors

Standard Bathroom Mirrors

LED Bathroom Mirrors

Shaving Mirrors

plumbworld
Big brands, small prices.