

Bathroom Furniture Installation & Aftercare Guide

Important Information

In the unlikely event that your product is damaged or faulty in any way, this must be notified on receipt, and must not under any circumstances be fitted. Time must be allowed between delivery and installation for checking items and the delivery of subsequent replacements.

Components/products that are deemed defective as a result of incorrect or substandard installation or improper or negligent use will be excluded from any warranty claim.

Always unpack units carefully from the packaging.

Do not carry units by their struts/rails.

Do not compress carcasses or other items up against walls as this may affect the opening action of doors and/or drawers.

Our bathroom furniture is designed for use within domestic installations that are adequately ventilated. As with any wooden product, bathroom furniture will be adversely affected if it is subjected to excessive moisture. It is strongly recommended that adequate bathroom extractor fans are installed to prevent heavy condensation and all splashes and spillages **MUST** be dried as soon as possible.

All exposed or cut surfaces **MUST** be sealed with a suitable silicone sealant to prevent blowing. If this is not done, all warranty claims will be void. Silicone sealant must be used in particular around basins and worktop joints.

All units must be individually fixed to the wall via the adjustable hanger brackets. If units are screwed together, every unit must still be individually anchored to the wall, using the hanger brackets and suitable wall fixings.

FIXINGS ARE NOT INCLUDED

When wall hanging units a firm fixing must be achieved. It is the responsibility of the installer to make sure that any fixings used are suitable for the individual installation in question.

We reserve the right to amend the specifications at any time if an opportunity to further improve the product occurs. All dimensions are approximate and are quoted within reasonable tolerances.

Always wear suitable eye protection when drilling holes in the wall.

Take care when using power tools near water - the use of a residual current device (RCD) is advised.

Beware of hidden cables or pipes.

Take care if drilling on tiled surfaces in case the drill slips. A piece of masking tape applied to the wall before marking out the fixing holes will stop the drill from wandering.

All items within the range could be dangerous if installed incorrectly and installation is only to be carried out by a competent person.

Never overload shelves or units.

If necessary due to site conditions, use additional supports/battens/brackets to provide additional support to units (not supplied).

Vanity unit back panel may need to be cut to allow clearance for basin bottle trap

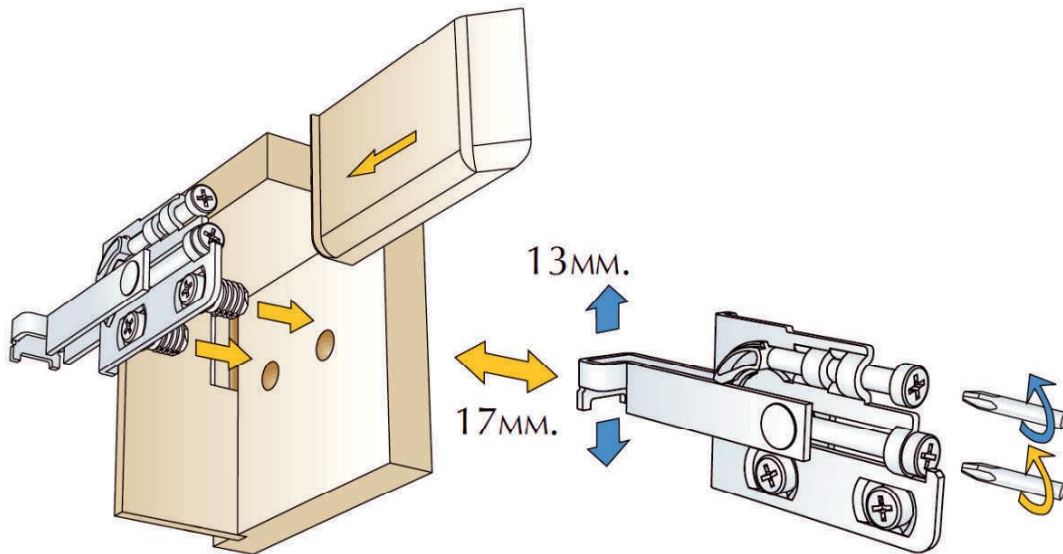
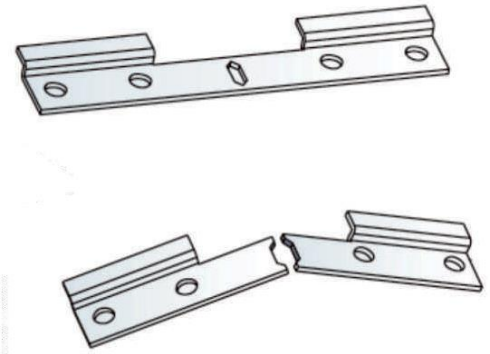
CAUTION:

Make sure work area is properly ventilated when cutting MDF.

Hanging Wall Mounted Cabinets

Step 1

Please snap wall plate in half.
Fix the wall brackets in the required position.
Present the unit to the wall and secure the unit to the wall by tightening the wall brackets as illustrated



Step 2

Cover the wall brackets with the decorative covers.

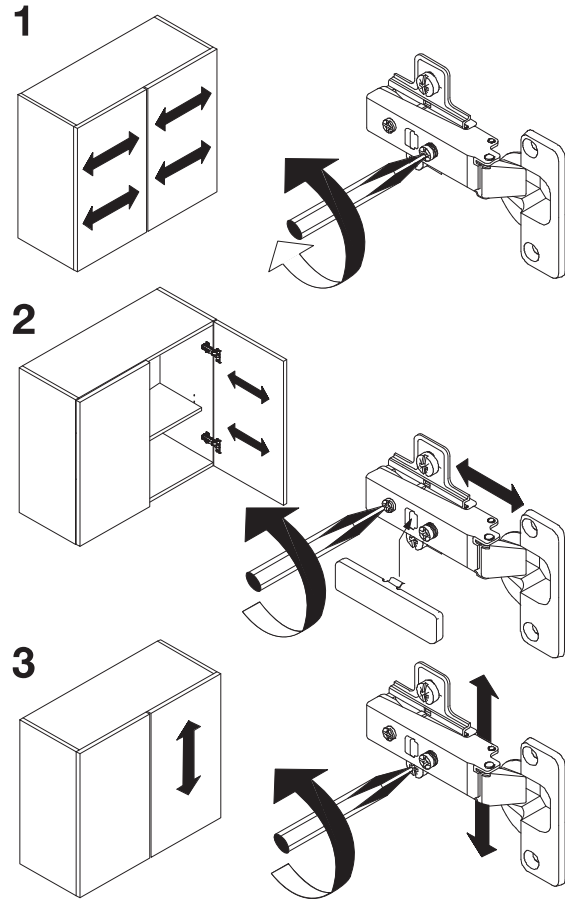
Door Adjustment

Adjust the door as necessary see diagram.
To adjust the door left and right, tighten / loosen screw (1). To adjust the door forwards and backwards tighten / loosen screw (2). To move the door up and down adjust the screws on the hinge mounting plate (3).

On single door units the doors are fitted left handed but can be reversed (do so before drilling for handles). Simply unscrew the hinge plates from one side of the carcass and fasten into the pre-drilled holes on the other side.

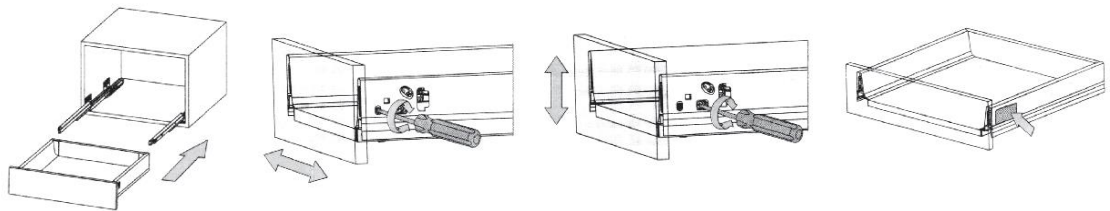
The door can be easily removed by pushing the Quick release button and swinging the back of the hinge away from the mounting plate. Always remove the bottom hinge first.

The soft close mechanism features quarter turn adjustment to provide optimal closing speed for any door dimensions and weight.

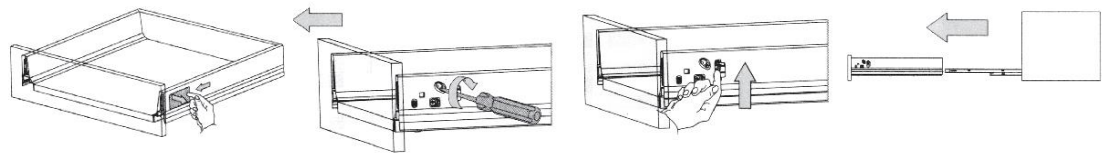


Drawer Adjustment

Use a screwdriver for horizontal & vertical adjustment.



Dismount the drawer unit.



Fitting Sanitaryware

WC Units

Make the cut out in the main panel to suit the inlet and soil pipe to suite your chosen wc pan. Cut edges must be sealed with a suitable silicone sealant.

Push Button Locating

The top fascia will need to be cut with a suitably sized hole cutter. Before cutting make sure that the button does not obstruct the cistern.

Door Handles

It is recommended that the clear protective film on the Gloss door is left on the doors for as long as possible to prevent scratching.

Place the door fascia on a flat piece of scrap wood, then use a sharp 5mm drill bit and drill from the back into the scrap wood on the reverse side of the door fascia.

Care Instructions

By following the following guidelines, your furniture will provide you with many years of service.

Our bathroom furniture is designed for use within domestic installations that are adequately ventilated. As with any timber product, bathroom furniture will be adversely affected if it is subjected to excessive moisture. It is strongly recommended that adequate bathroom extractor fans are installed to prevent heavy condensation.

All splashes and spillages **MUST** be dried as soon as possible.

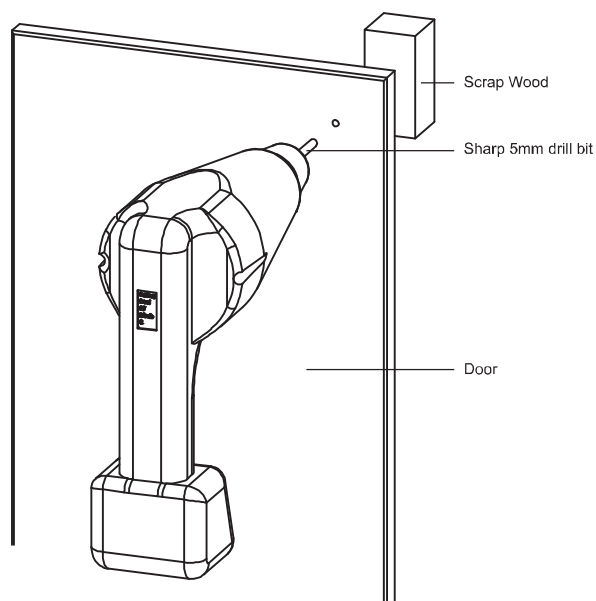
Basin Units

When fitting a basin to the worktop above a basin unit, ensure that the back of the basin fits against the front surface of the fascia.

Remember to account for the worktop thickness (25mm) and overhang when aligning the basin template. Cut the worktop and fascia in accordance with the instructions supplied by the manufacturer.

Cut edges must be sealed with a suitable silicone sealant.

Once installed, the basin must be sealed around all edges with a quality silicone sealant.



After installation all sawdust must be removed with a vacuum cleaner. Drawer runners should be inspected and any dirt particles removed to promote a soft close running motion.

Clean with a soft damp cloth and a mild soap solution if necessary. Test on an inconspicuous area first.

Do not use abrasive cleaners, bleaches or furniture polishes as the finish could be affected.

Check out our full range of Bathroom Furniture

Wide Range of Colours

White Bathroom Furniture / White Gloss Bathroom Furniture

Grey Bathroom Furniture

Black Bathroom Furniture

Walnut Bathroom Furniture

Wide Range of Styles

Bathroom Vanity Units

Bathroom Cabinets

Basin & Toilet Furniture Units

Traditional Bathroom Furniture

Bathroom Drawers

Tall Bathroom Units

Radiator Covers / Radiator Cabinets

plumbworld
Big brands, small prices.