



TECHNICAL SPECIFICATION

PDT-000022

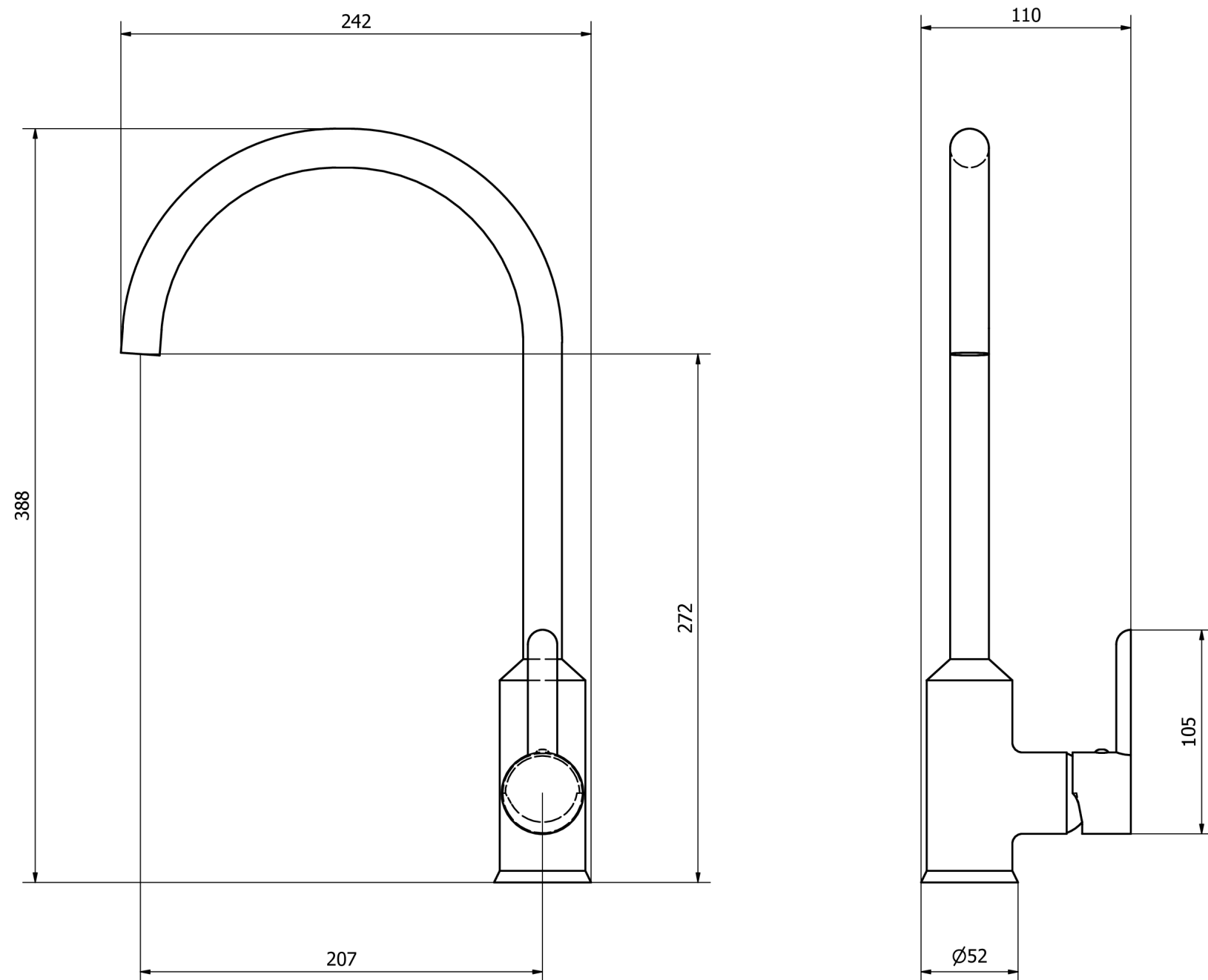
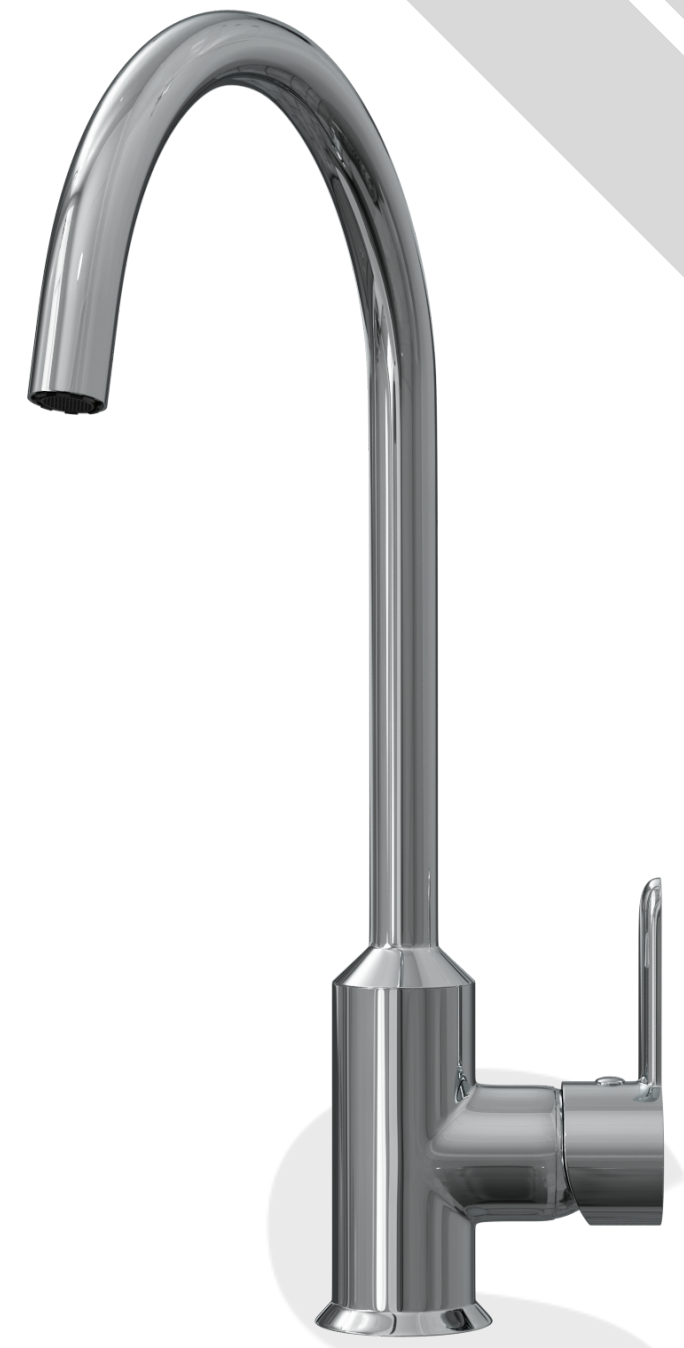
Entice Kitchen Sink Mixer with Swivel Spout & Single Lever - Chrome Finish

General Information

Standards 1	TS EN 200
Construction Material	Brass
Installation type	Deck Mounted
Colour / Finish	Chrome
Certification	No
WRAS No:	No

Specification

Waste Included:	No
Tap Tails Included:	Yes
Style:	Contemporary
Minimum Working Pressure:	0.5
Maximum Working Pressure:	5
Cartridge Type:	35mm Cartridge
Thermostat Cartridge Type:	n/a
Flow Type:	Single Flow
Number of Tap Holes Required:	1
Handle Type:	Lever
Swivel Spout:	Yes
Inlet Connection:	1/2" BSP Flexible Tails
Tap Hole Diameter:	35mm
Height (mm):	388
Width (mm):	100
Length / Depth (mm):	242
SKU CAT No:	3
Category:	Kitchens
Sub Category:	Kitchen Taps
Product Weight (KG):	1.7
Carton Quantity (Pcs):	5
EAN:	5010000022006
Supply:	Suitable for most plumbing systems, preferably balanced



Flow Rates

Litres Per Minute

0.2bar	0.5bar	1bar	2bar	3bar
3.4	4.5	6.4	7.8	9

T: 01724 847397 or E: SALES@ELLSI.CO.UK

Check out our full range of Kitchen Products

Kitchen Sinks

Stainless Steel Kitchen Sinks

Granite Composite Kitchen Sinks

Glass Kitchen Sinks

Ceramic Kitchen Sinks

Franke Kitchen Sinks

Kitchen Taps

Contemporary Kitchen Taps

Traditional Kitchen Taps

Franke Kitchen Taps

Pull out Rinser Kitchen Taps

Instant Boiling Water Taps

Insinkerator Waste Disposal Units

plumbworld
Big brands, small prices.