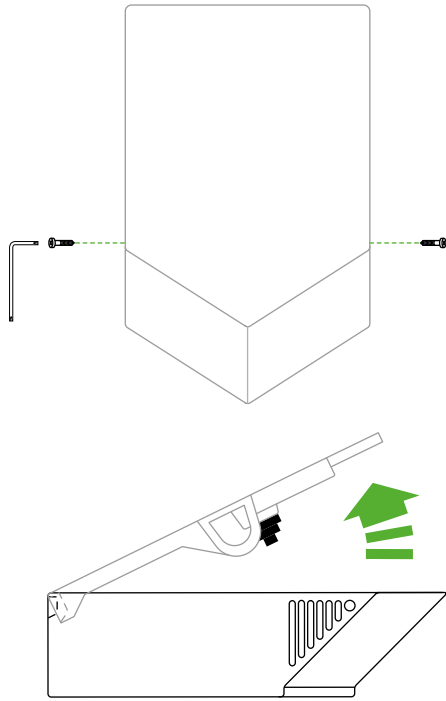




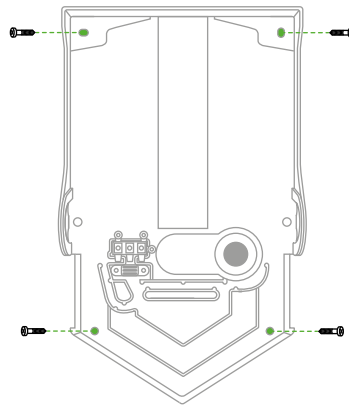
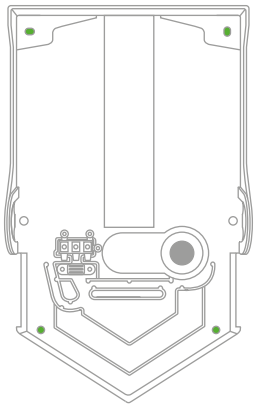
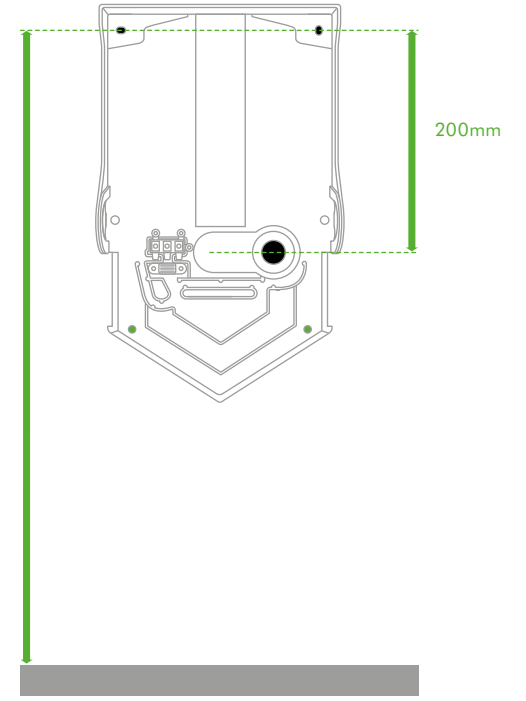
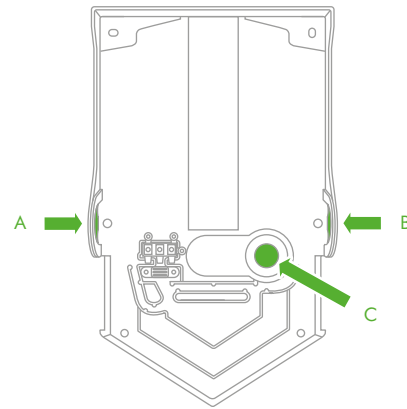
Installation guide

dyson airblade

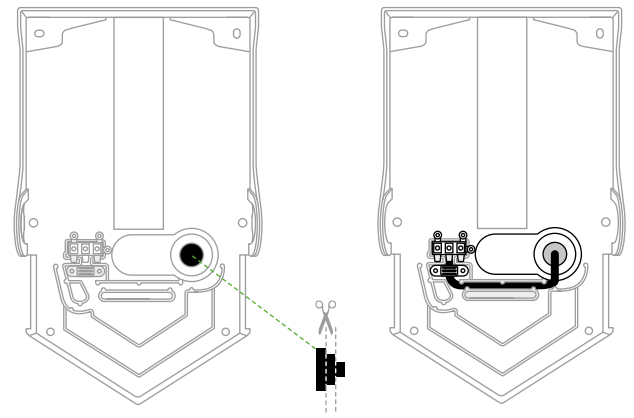
# 1



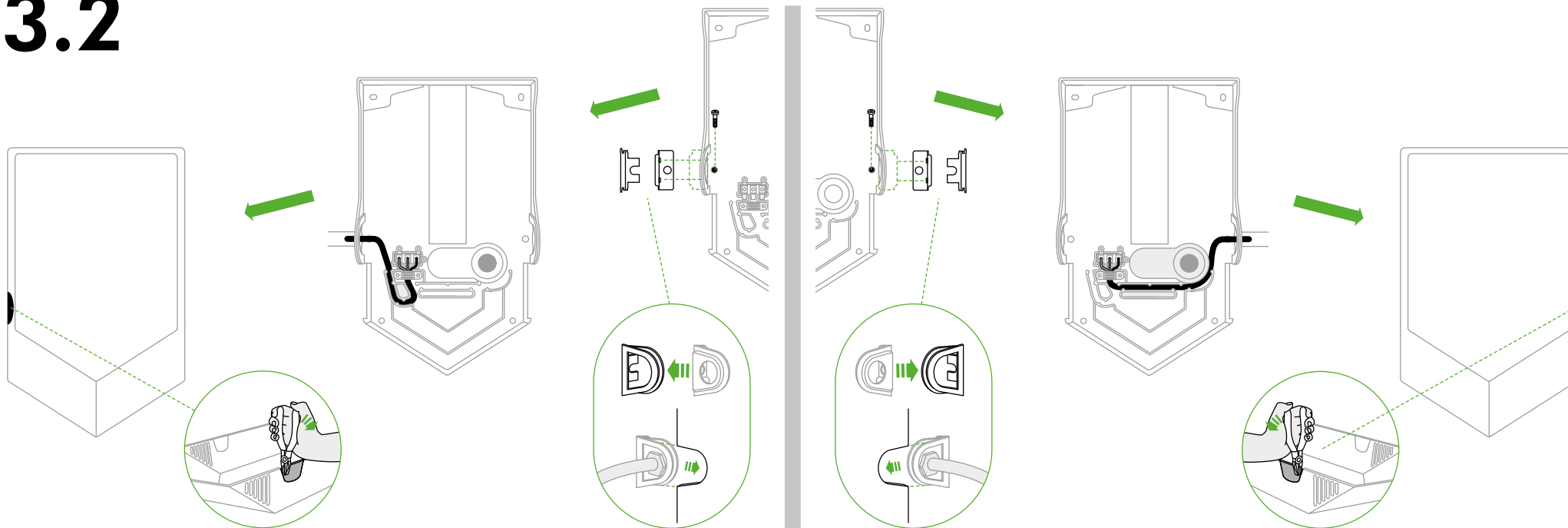
# 2



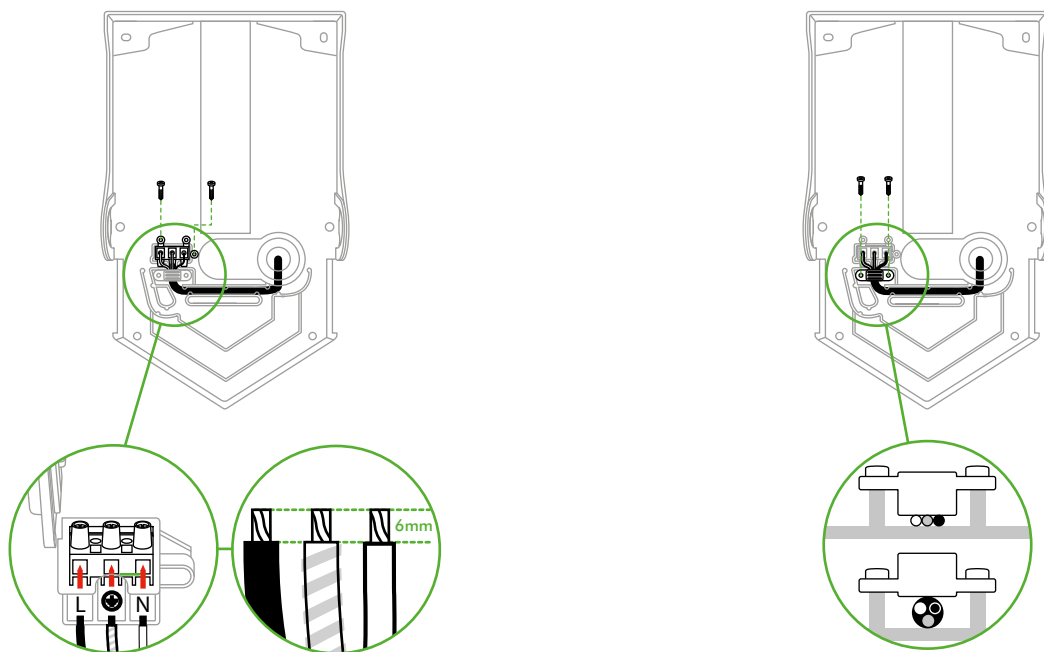
# 3.1



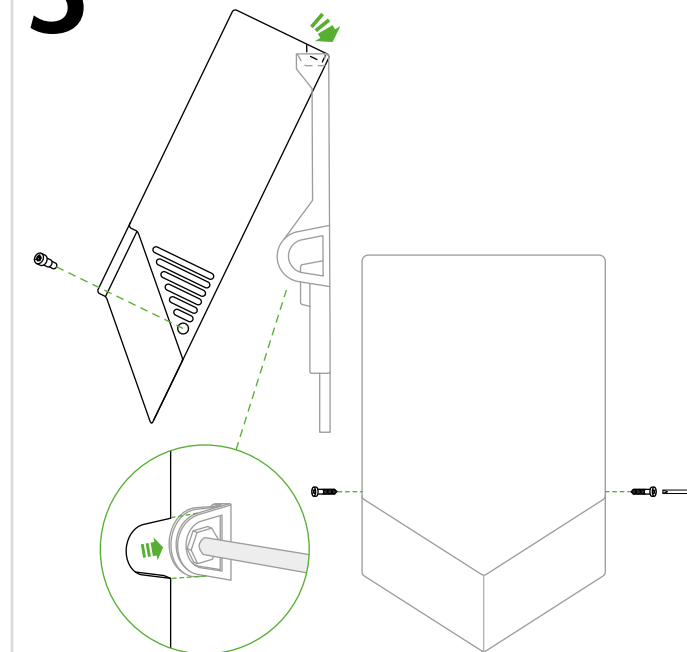
# 3.2



# 4



# 5



# EN

## READ AND SAVE THESE INSTRUCTIONS

### IMPORTANT SAFETY INSTRUCTIONS

**BEFORE INSTALLING OR USING THIS UNIT READ ALL INSTRUCTIONS AND CAUTIONARY MARKINGS IN THIS INSTALLATION GUIDE AND THE OWNERS MANUAL.**

#### WARNING

All electrical installation and repair work should be carried out by a qualified electrician or Dyson Service Engineer in accordance with current local codes or regulations.

#### WARNING

**RISK OF ELECTRIC SHOCK!** If casing is removed or handled improperly the internal components of the unit may cause harm or become permanently damaged.

**TO REDUCE THE RISK OF FIRE, ELECTRIC SHOCK, OR INJURY TO PERSONS, OBSERVE THE FOLLOWING:**

#### BEFORE INSTALLATION

Before beginning any installation work you must confirm the following.

#### WIRING

- Check that the electrical supply corresponds to that shown on the rating plate. If the unit is connected to any electrical supply other than stated on the rating plate of the unit, permanent damage or improper/unsafe operation of the hand dryer may result.
- A means for all-pole disconnection must be incorporated into fixed wiring, in accordance with national and local wiring regulations.
- The unit must be earthed.
- When connecting the unit to the electricity supply use cable in accordance with national and local laws and applicable codes and standards, including fire-rated construction.
- If cable entry is to be from the side, it must be secured using plastic or flexible metal conduit and suitable fittings that lock to

the side bracket. The conduit and fittings must be in accordance with local and national regulations. Solid metal conduit is not suitable.

- Ensure that the conduit and wires are long enough to connect to the backplate and the terminal block.
- When wiring in the back plate the maximum length for the wire's insulation to be stripped back is 6mm.

#### SAFETY

- Isolate the power before installation.

#### INSTALLATION

- Make sure that the unit is installed in compliance with all building codes and/or regulations.
- The unit must be mounted on a flat vertical wall capable of supporting the full weight of the unit.
- Use fixings as specified in this installation guide.
- Ensure no pipe work (gas, water, air) or electrical cables, wires or ductwork are located directly behind the drilling/mounting area.
- Dyson recommends the use of protective clothing, eyewear and materials when installing/repairing as necessary.
- All metal parts in contact with this unit **MUST** be earthed, including any wall covering.
- Do not use sealant when fixing the unit to the wall.
- To avoid contact with water from the user's hands, do not install the unit above any electrical equipment.

#### **DO NOT USE ANY JETWASH EQUIPMENT FOR CLEANING ON OR NEAR THIS UNIT.**

- To avoid damage to the fascia surface during installation, store the fascia in the original packaging until it is needed.

#### LOCATION

- The unit is designed for dry, internal location only.
- Consult local and national accessibility codes and regulations for relevant installation guidelines. Conformity and compliance is the responsibility of the installer.
- Ensure the required electrical supply is available for later connection.
- This product is not suitable for mounting onto porous wall surfaces (e.g. plaster) without a back panel, to avoid discolouring or damage to unprotected walls. (The recommended back panel for this product is available from Dyson.)

#### IMPORTANT

- Please refer to the Dyson Owners Manual for details of the guarantee.

**Contents.**

Main unit x 1  
 Service tool x 1  
 Side bracket and seal assembly

1

**Unpacking.**

Use caution when removing the casing.

The casing may have sharp edges/ corners which may cut or cause harm.

- Place the main body on a cloth to avoid marking its surface.
- Remove the (2) security screws from the main body, using the service tool provided. Store safely.
- Lift the backplate out of the main body.
- If cable entry is to be from the rear, remove the rubber cable grommet from the rear cable entry hole. Store safely.

2

**Positioning.****CAUTION**

Before installation decide if the cable entry is to be from (3.1) the rear or (3.2) the side. Follow the relevant instructions.

**NOTE:** This product is not recommended for mounting onto porous wall surfaces (e.g. plaster) without a back panel, to avoid discolouring or damage to unprotected walls. (A back panel for this product is available from Dyson.)

**CAUTION**

Do not use the backplate as a guide when drilling. Ensure no pipe work (gas, water, air) or electrical cables, wires or ductwork are located directly behind the drilling/mounting area.

**NOTE:** If the side entry option is chosen, a fifth hole will need to be drilled in the wall. See step 3.2.

- Select the appropriate height. Recommended heights are shown, but may need to be adjusted for each individual installation. Recommended height measurements are from the floor.

1300mm adult male.

1265mm adult female.

928mm children 5–8 years old.

1028mm children 8–11 years old.

1108mm children 11–14 years old.

1050mm wheelchair user.

- Minimum clearances are: above, 30mm; sides, 220mm. There should be no obstruction between the unit and the floor.
- Measure the location on the wall. If cable entry is to be from the rear, the electricity supply cable from the wall must align with rear cable entry point in the backplate.

- Mark the location on the wall with a pencil. Use the backplate to mark the locations for the four fixing points.
- Drill holes.
- Fix the optional back panel if required.

3.1

**Rear cable entry.****Fixing the backplate to the wall.**

Fit the backplate securely to the wall using the appropriate fixings for the wall type and weight of the unit. Do not use counter-sunk screws. Do not secure tightly until after the power cable has been secured.

**Installing the power cable.**

- Cut the entry hole in the rubber cable grommet to the correct size: leave a hole smaller than the diameter of the power cable to ensure the cable fits tightly.
- Pull the cable through the grommet. Ensure the cable is long enough to route correctly through the backplate to the terminal block.
- The cable must sit in the dedicated channel.
- Fit the grommet into the backplate. Ensure it is secure.
- Secure the screws in the backplate.
- Proceed with step 4, 'Connecting to terminal block'.

3.2

**Side cable entry.****IMPORTANT**

Cable entry can be either from the left or the right. Decide which before you start. The unit is designed to have only one side cable entry point.

**NOTE:** If the side entry option is chosen, a fifth hole will need to be drilled in the wall.

Make sure you work on the correct side for the installation.

The breakout on the main body must match up with the bracket on the backplate.

Once the break-out panel on the main body has been removed there is no option to swap sides.

- Ensure you work only on the side of the fascia that you have chosen for the cable entry point.
- Use pliers to carefully nip out only one pre-marked break-out panel in the correct side of the main body.
- Align to one of the edges and break off an initial part of the panel.
- Align to the other edge and break off an initial part of the panel.
- Break off the whole part from the centre.
- Clean up any excess plastic.
- Drill holes.
- Pull the electricity supply cable through the side bracket and side bracket seal as shown. Ensure that cable is long enough to route

correctly through the backplate to the terminal block.  
 (Note: cable length will be different for left and right side entries.)

**NOTE:** Ensure suitable cable gland/ conduit connector is used (not provided) for the installation.

**Fixing the backplate to the wall.**

Fit the main unit securely to the wall using the appropriate fixings for the wall type and weight of the unit. Slide the side bracket into the recess between the wall and the backplate. Screw to the wall and secure with the appropriate fitting. Do not use counter-sunk screws.

4

**Connecting to terminal block.****⚠ WARNING: Risk of electric shock!**

- Ensure power is not connected.
- Ensure the cable does not sit above the cable guide from the cable inlet to the terminal block. If the cable sits above the guide walls it may interfere with main components, prevent the security screws being fitted correctly, or risk the main body being forced on to the backplate, causing damage.
- Unscrew the cable clamp from the backplate. Remove the cable terminal block.
- Open the flap on the terminal block. Secure the live, neutral and earth wires into the correct terminal locations as indicated on the terminal block casing.
- Verify the connections are correct before proceeding.
- Close the flap on the terminal block and fit it into the backplate.
- Screw in and secure the cable clamp.

**CAUTION:** Do not over tighten and crush the power cable.

5

**Attaching the main body.**

**CAUTION:** Do not overtighten screws.

- Hook the main body of the unit over the top rim of the backplate.
- Swing the main body of the unit down on to the back plate. (For installations with the cable entry on the side, ensure that the side bracket seal is correctly seated against the main body.)
- Insert and tighten the (2) security screws into the side of the main body with the service tool as illustrated.
- Recommended torque of 0.5-0.7NM.
- Turn power on.
- **CALIBRATION CYCLE:** Once the unit is installed, the sensors need time to calibrate to the surroundings. The unit goes through a 2 minute calibration cycle when first powered on. It is essential that during this time no objects are left directly below or in close proximity to the unit, and that you do not try and activate the unit.

After 2 minutes you can use as normal. If you have any issues with the sensors please switch the machine off and back on again to repeat the calibration cycle.

- Test unit for correct operation.

**IMPORTANT**

Do not use sealant when fixing the unit to the wall. Do not paint/coat the main body or place graphical stickers on it or this may damage the anti-bacterial surface. If a cleaning product is left on the machine for too long, a film will form. This may reduce the effectiveness of the anti-bacterial surfaces.

JN.82557 PN.307858-01-02 29.04.16



Dyson Customer care  
[www.dysonairblade.com](http://www.dysonairblade.com)

UK 0800 345 7788



NSF PROTOCOL P335  
HYGIENIC COMMERCIAL  
HAND DRYERS