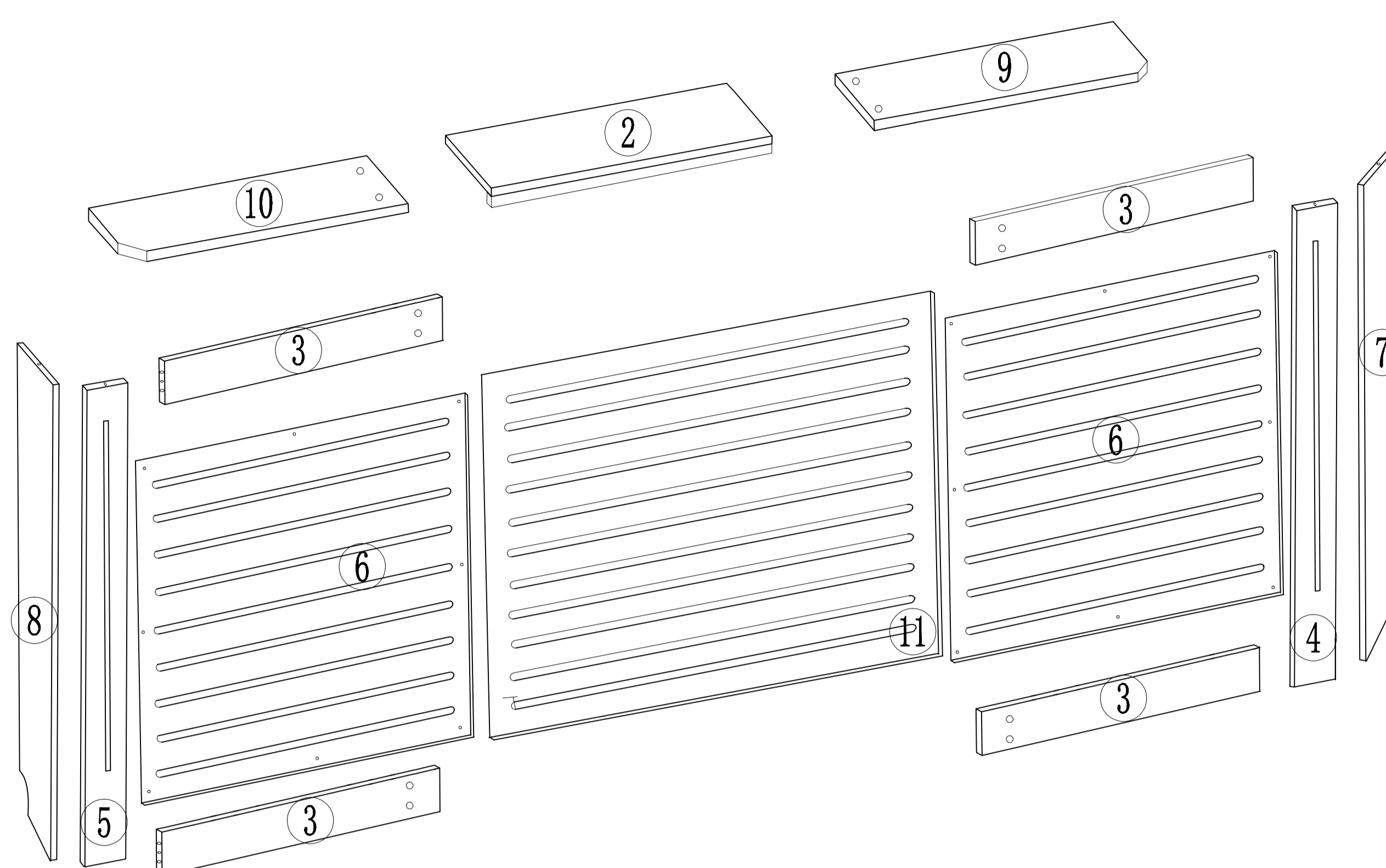
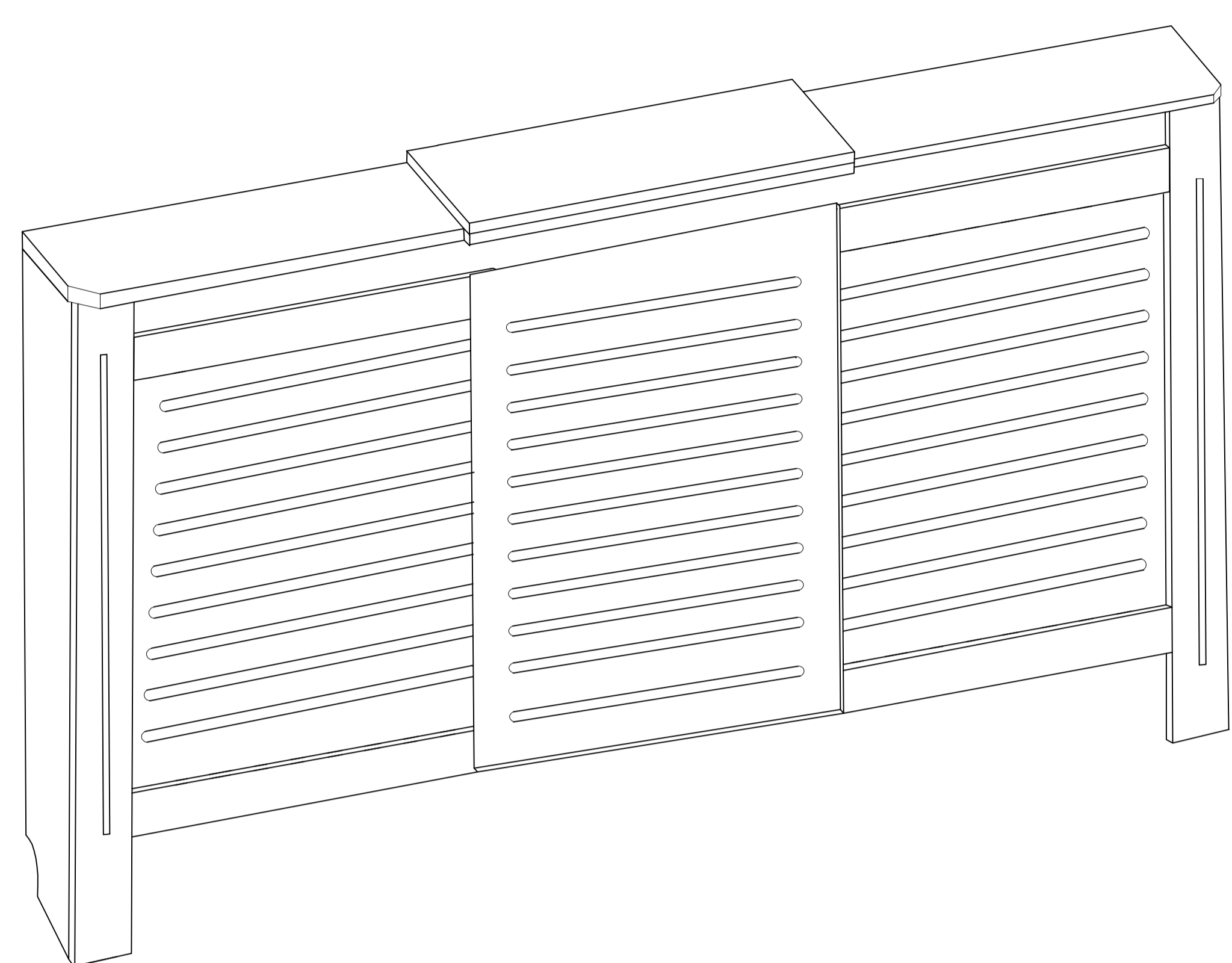
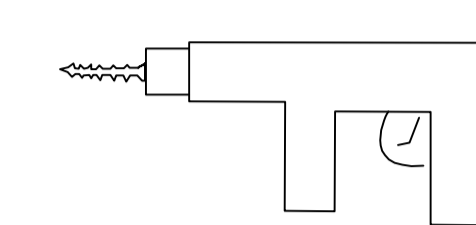


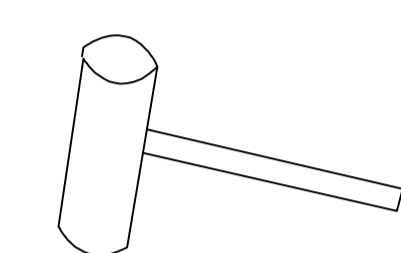
# Instruction Manual



Tools needed



churn drill

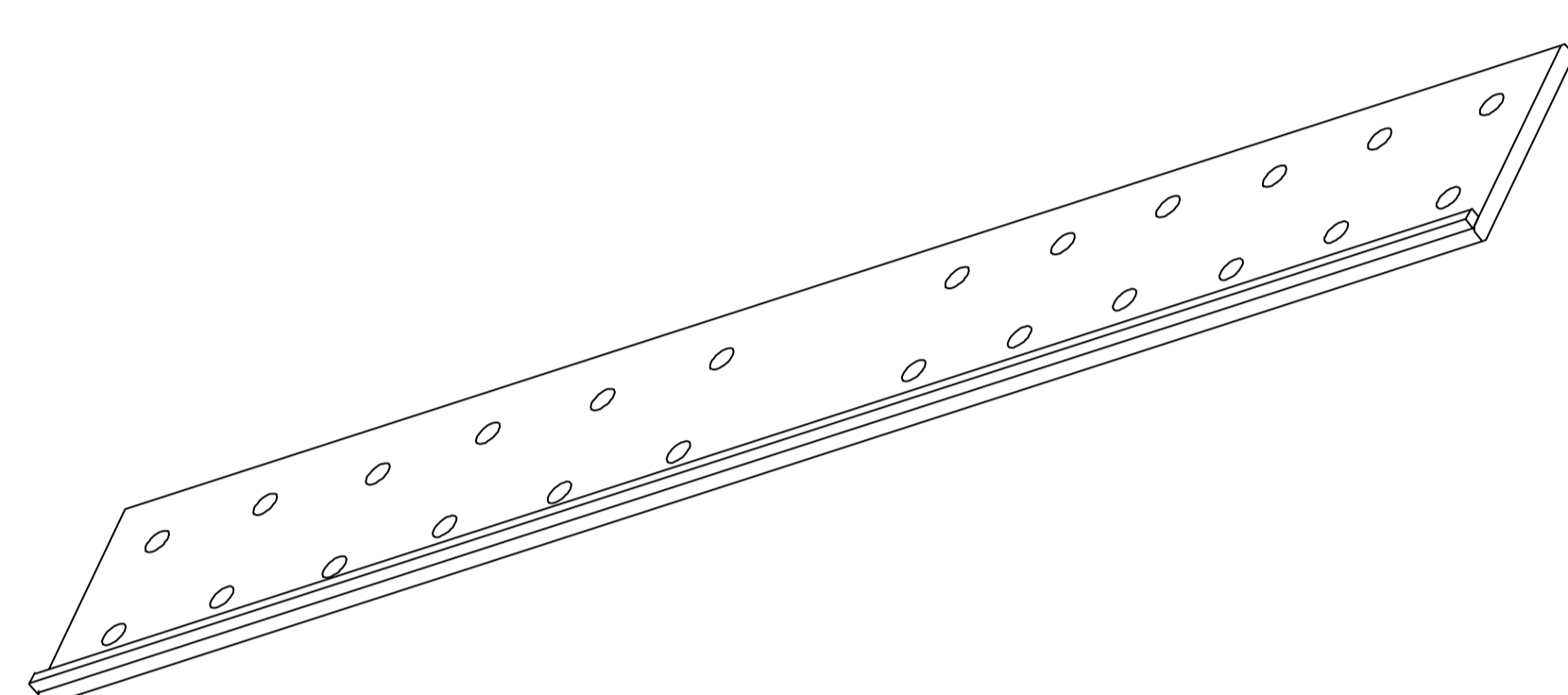


hammer

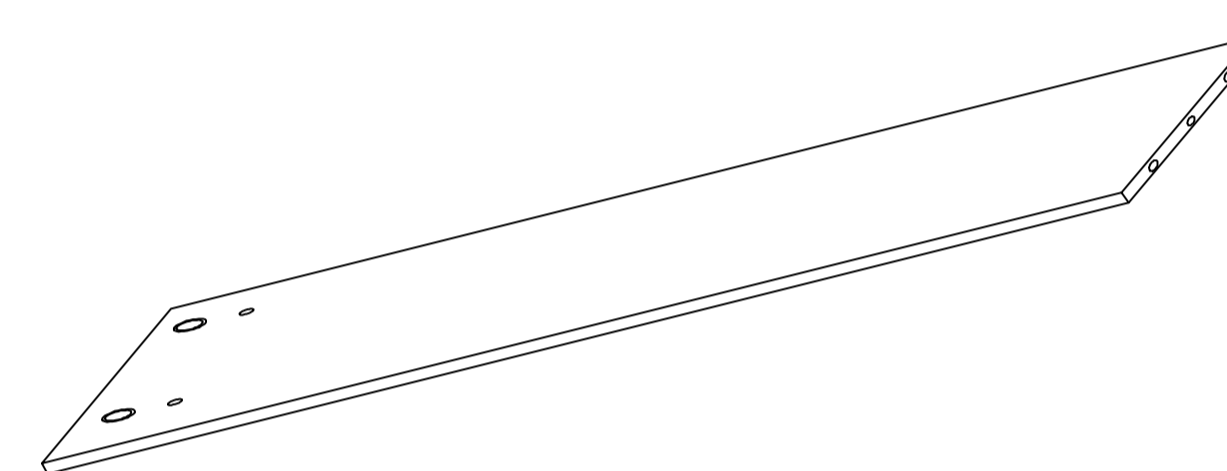


cross screwdriver

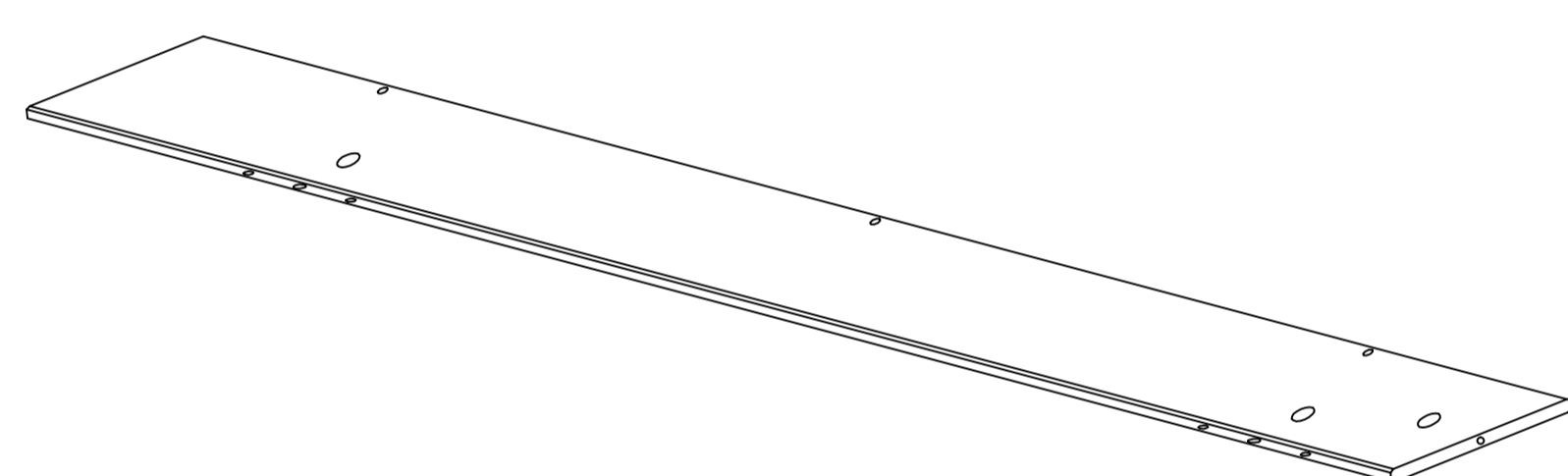
Please note that there is no No.1 panel !



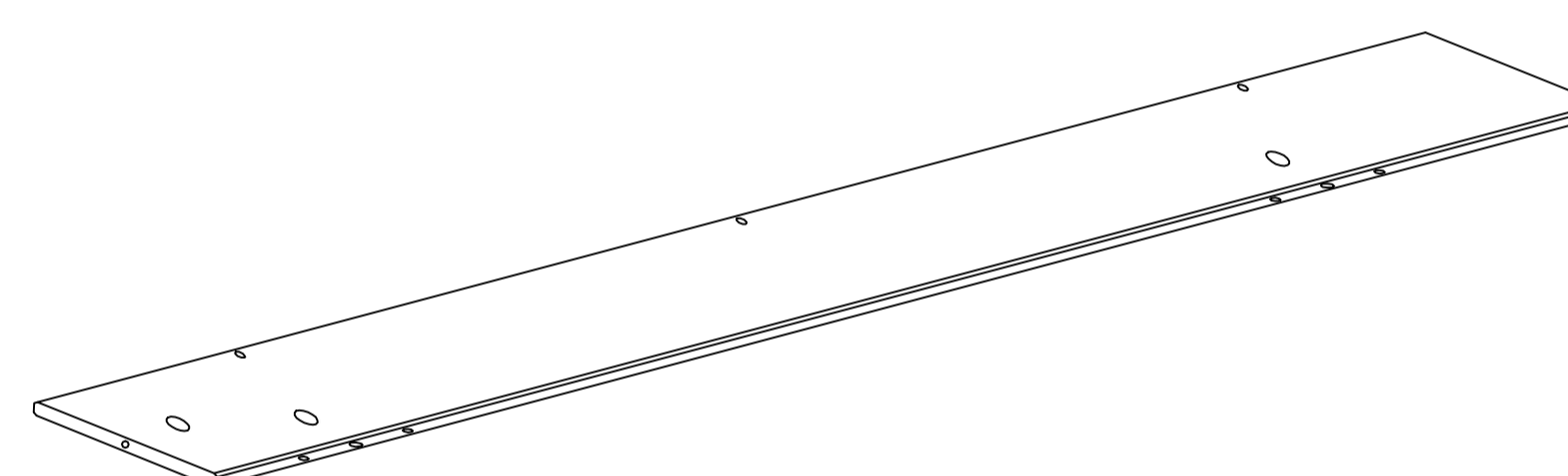
② x1 850\*205\*24mm



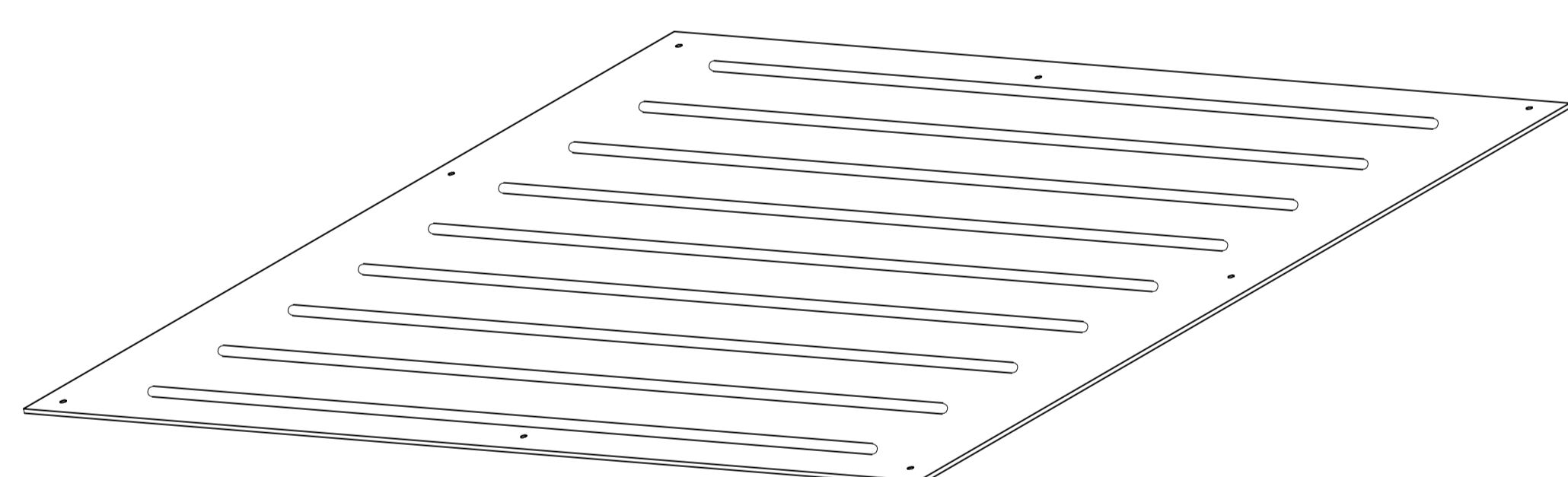
③ x4 550.5\*105\*12mm



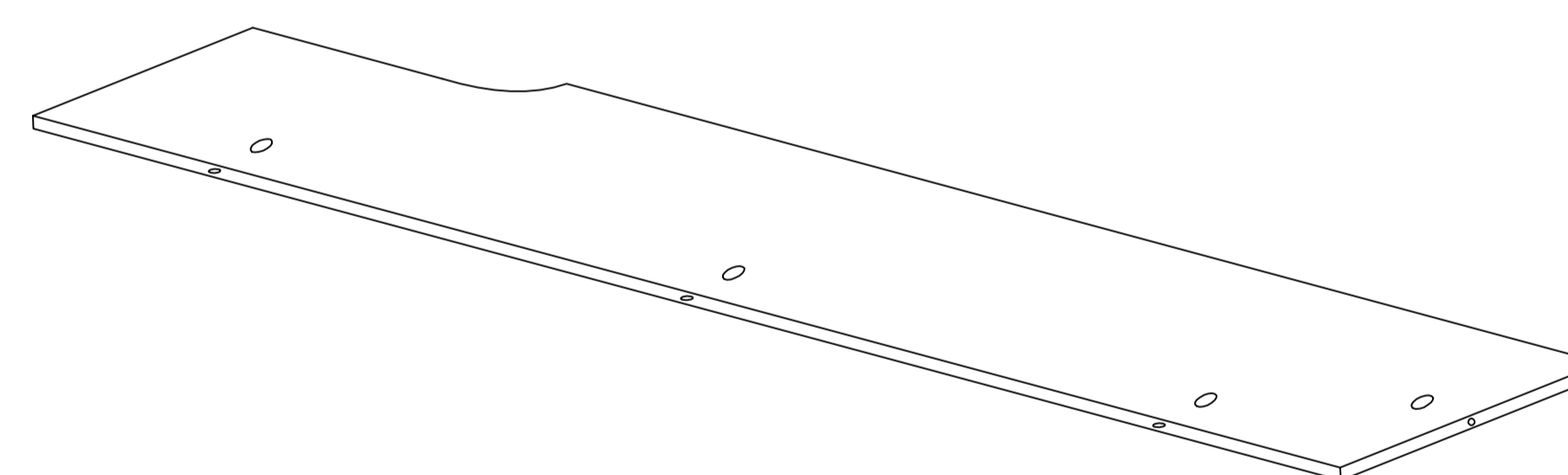
④ x1 803\*110\*12mm



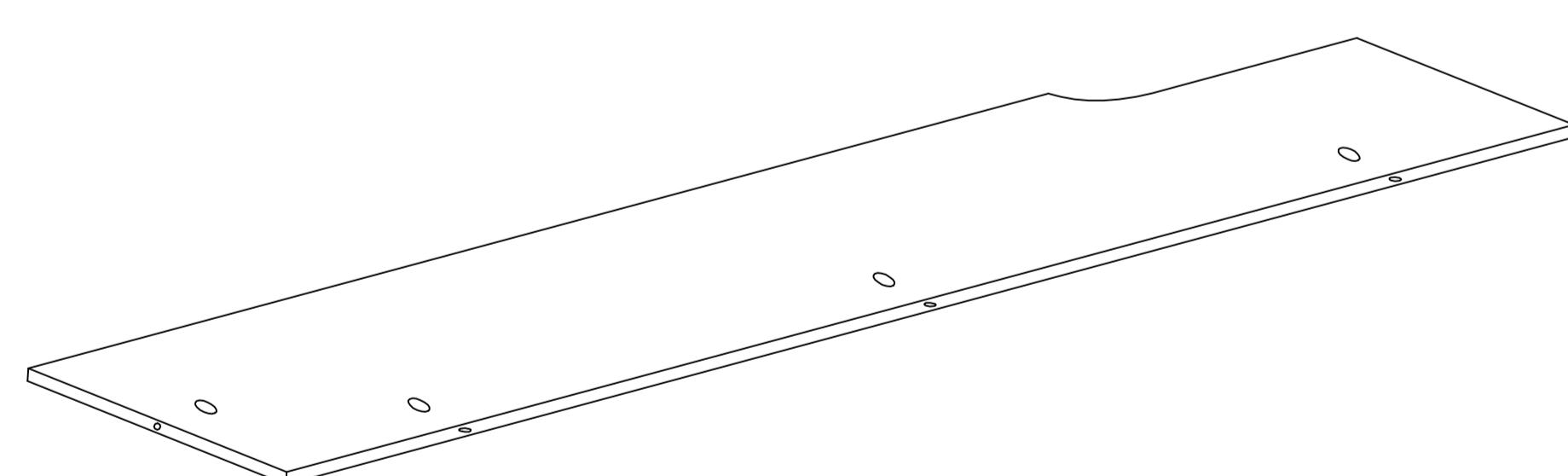
⑤ x1 803\*110\*12mm



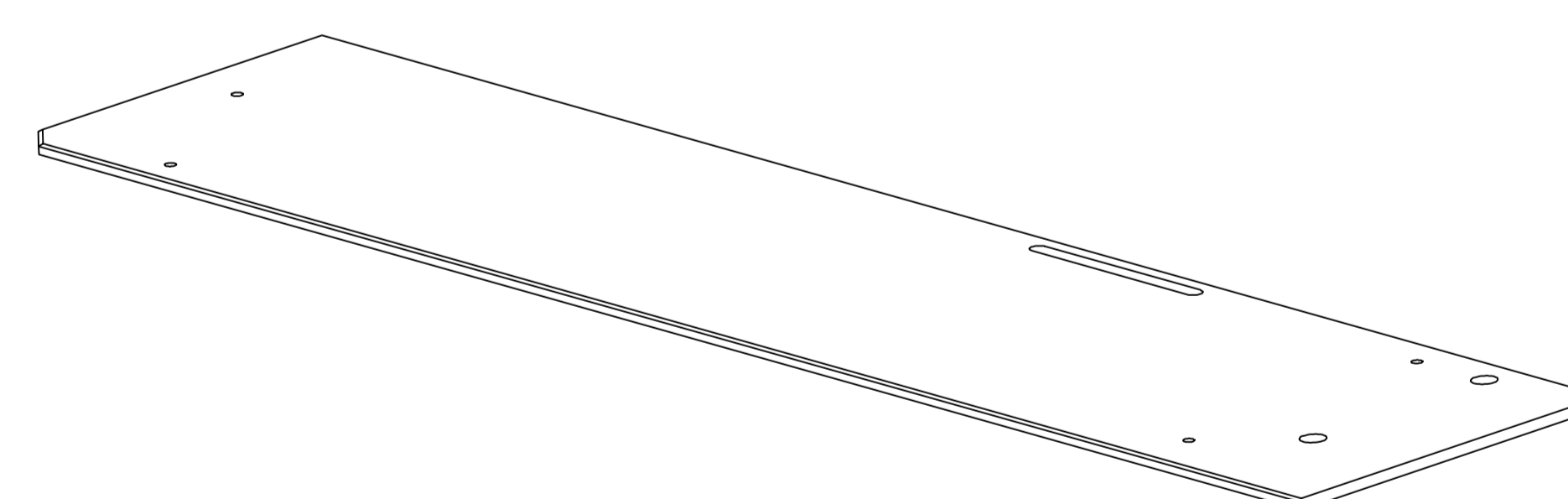
⑥ x2 540\*479\*5mm



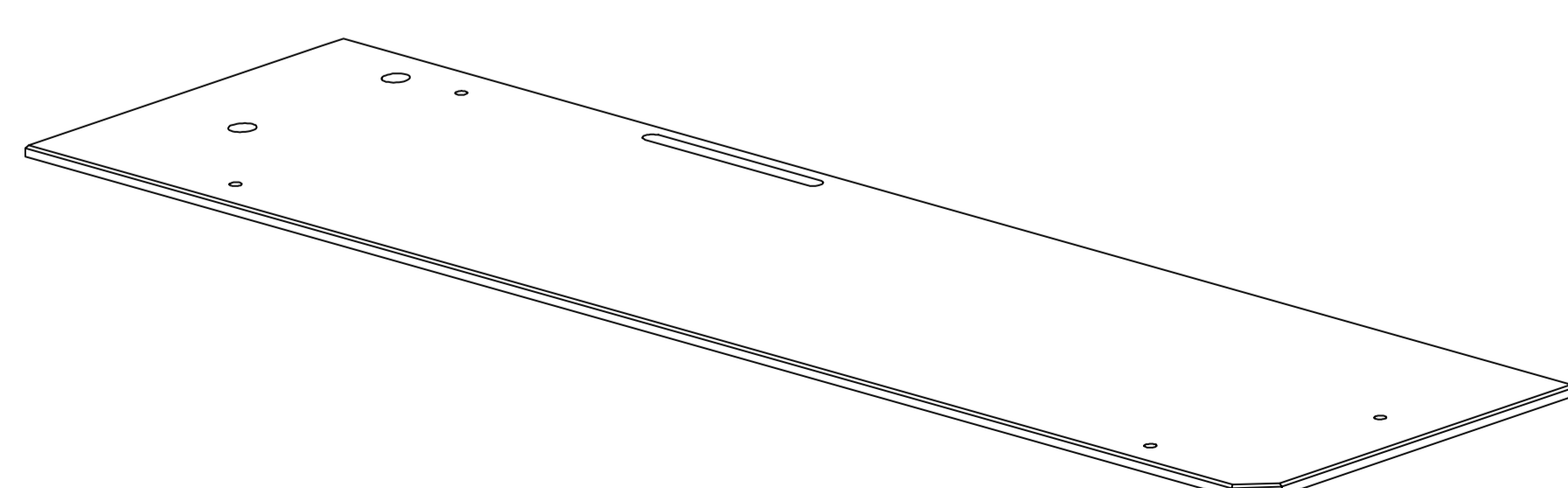
⑦ x1 803\*168\*12mm



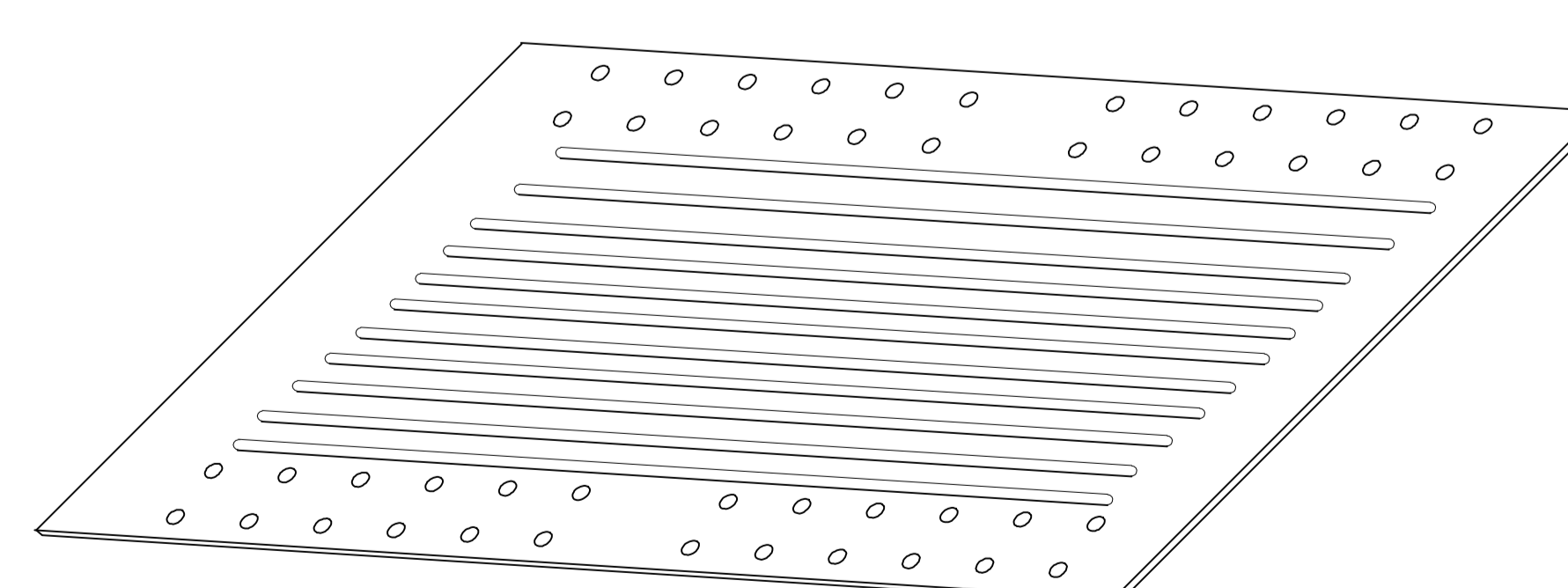
⑧ x1 803\*168\*12mm



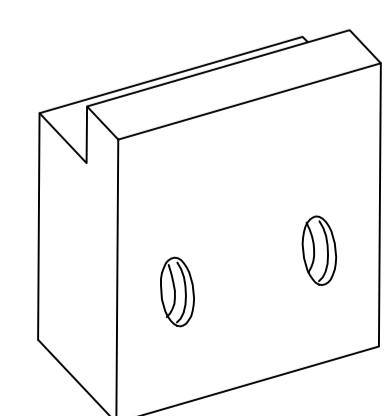
⑨ x1 691\*190\*12mm



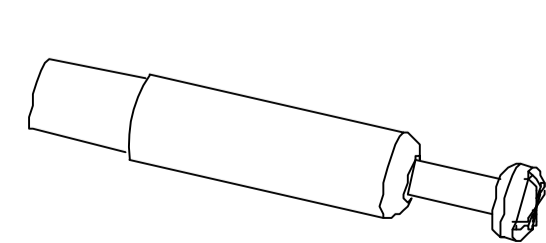
⑩ x1 691\*190\*12mm



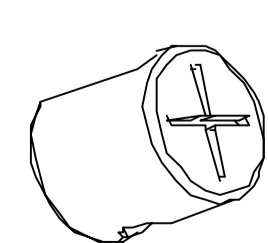
⑪ x1 850\*649\*12mm



Ax2



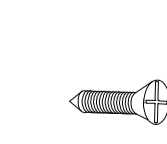
Bx14



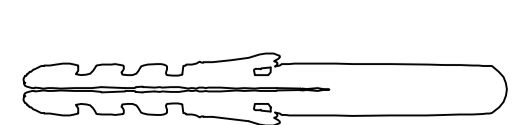
Cx14



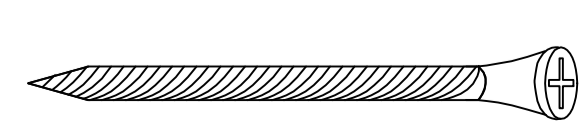
Dx8



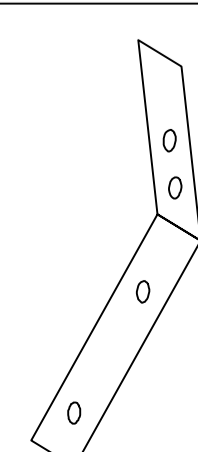
Ex14



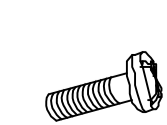
Fx4



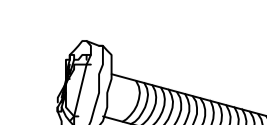
Gx4



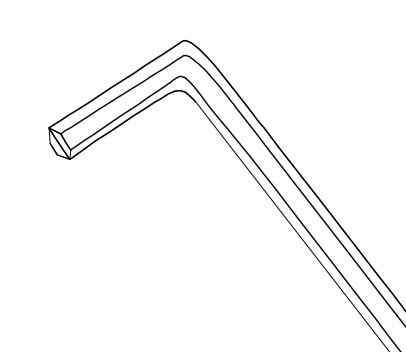
Hx2



Ix8



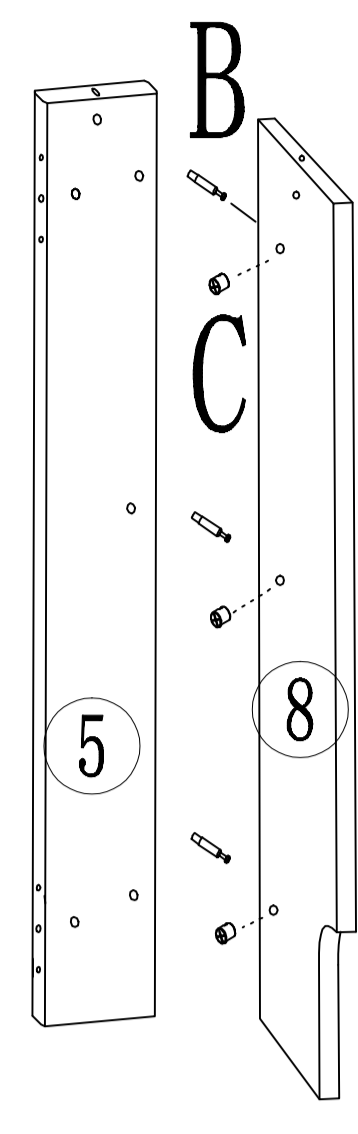
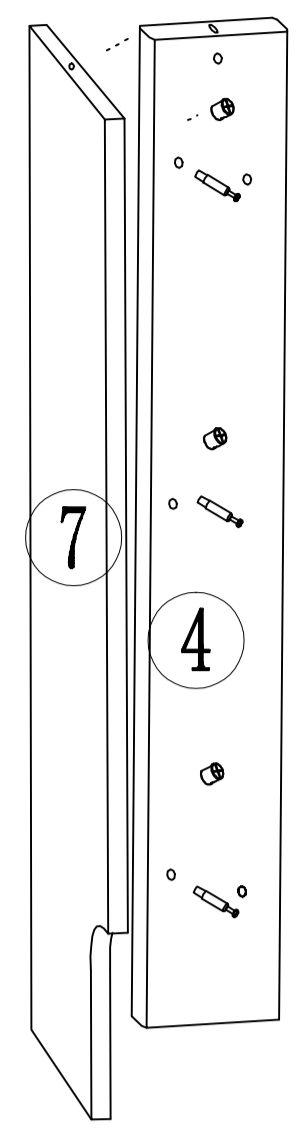
Jx12



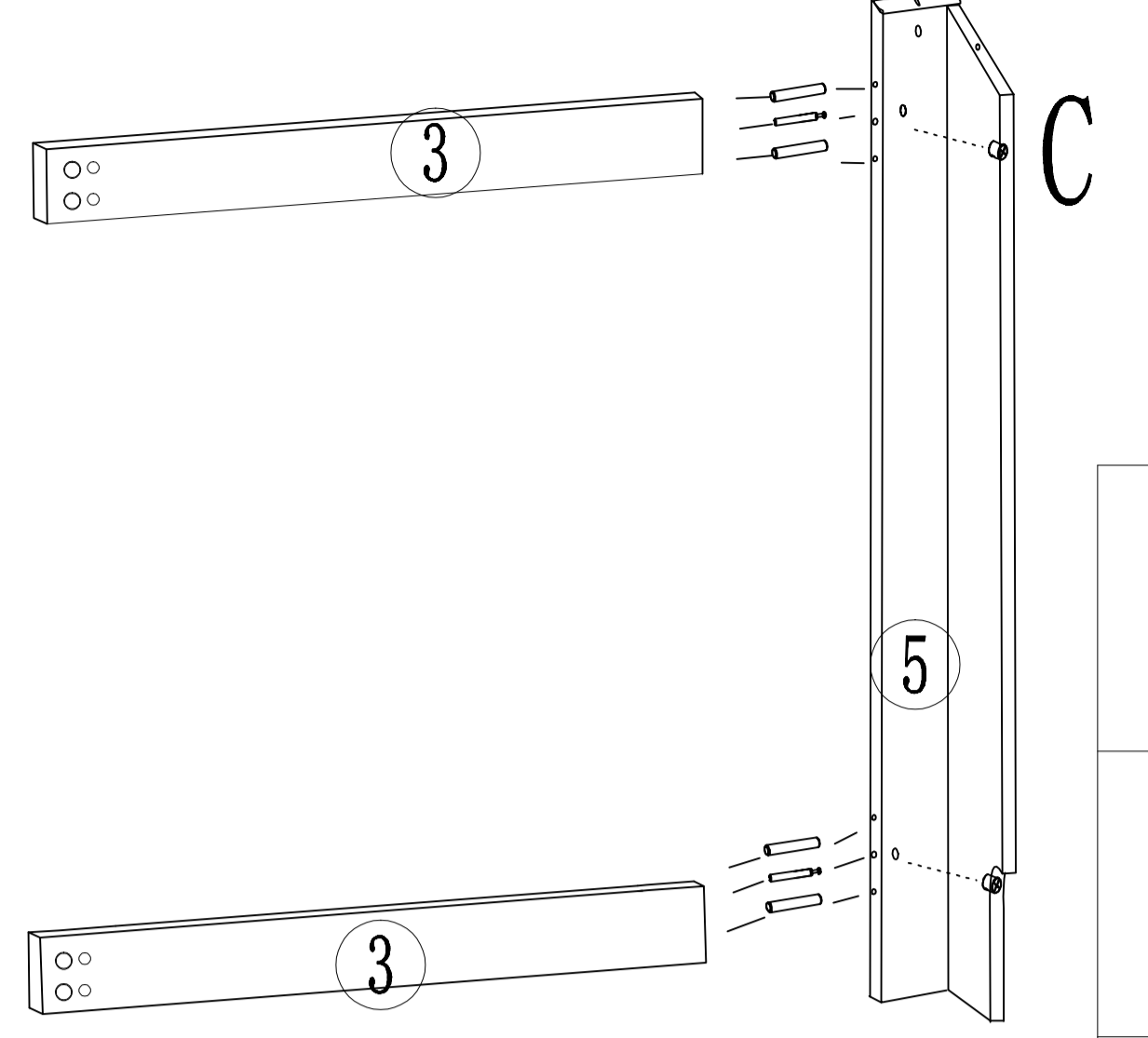
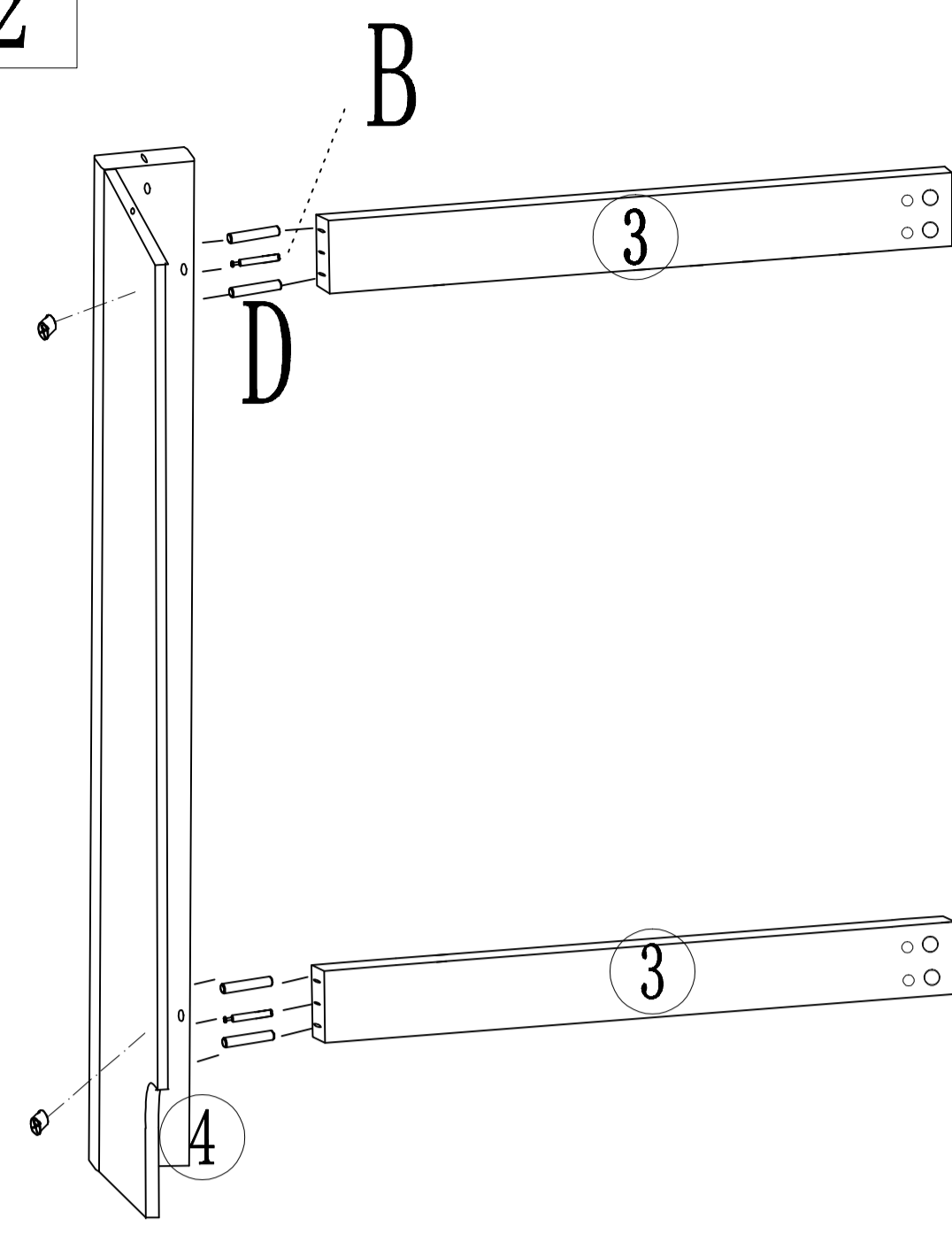
Kx1



Using a screwdriver, screw in the #B screws securely. Please do not over tighten as it may cause wood to splinter.  
 The small arrow on the #C Cam Locking Screw should be facing the #B screws extending from the panel.  
 Use screwdriver to tighten securely, but avoid over tightening, screws may protrude through the panel.

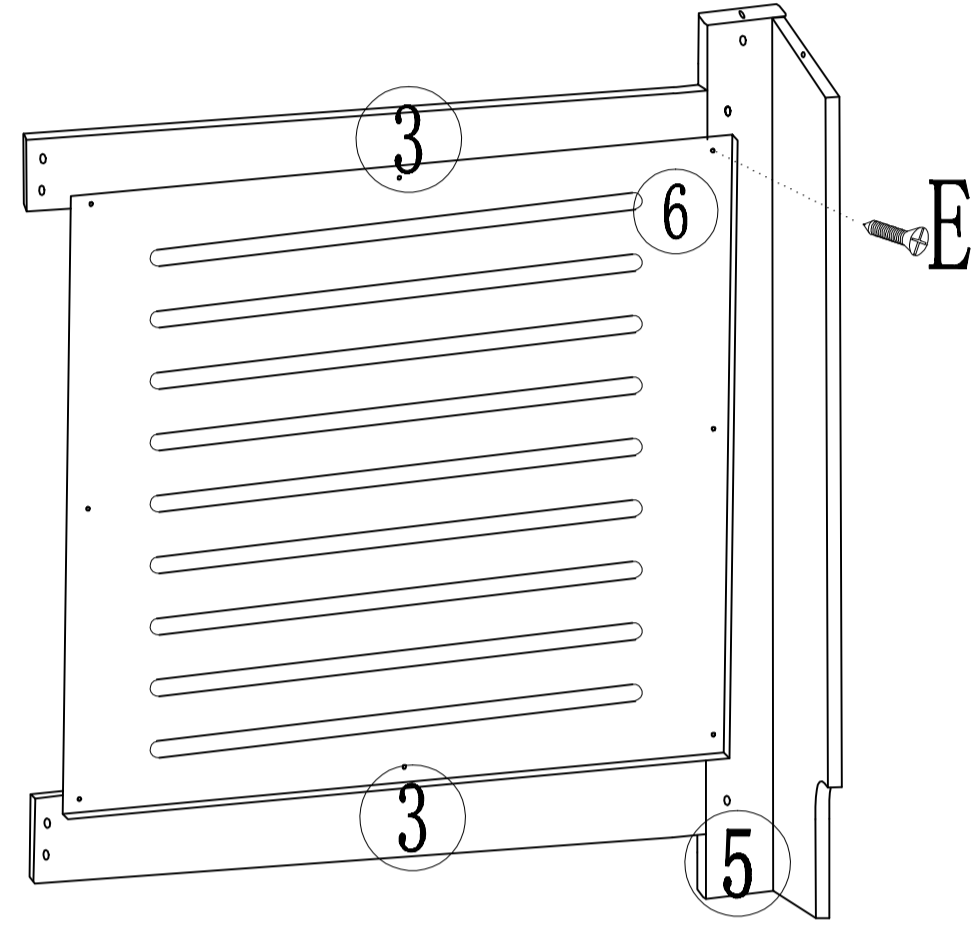
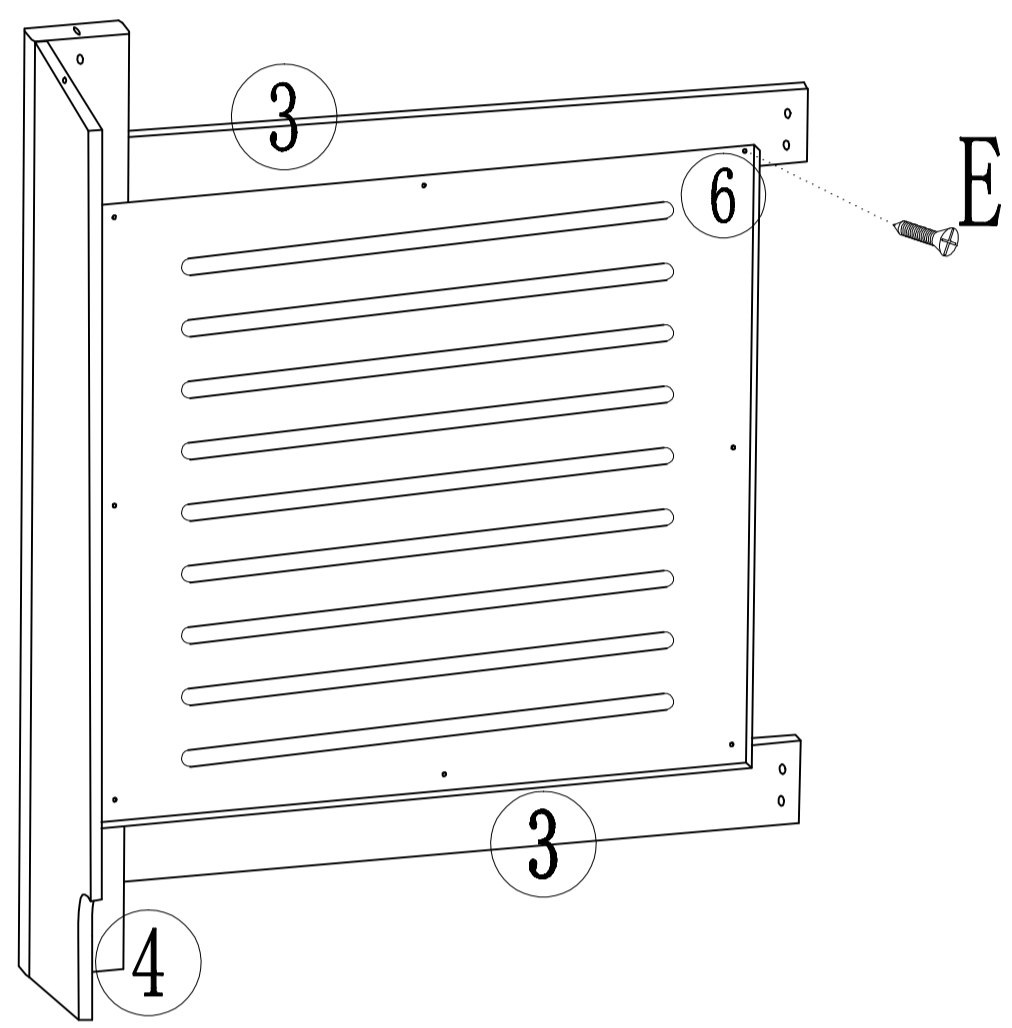


1 2

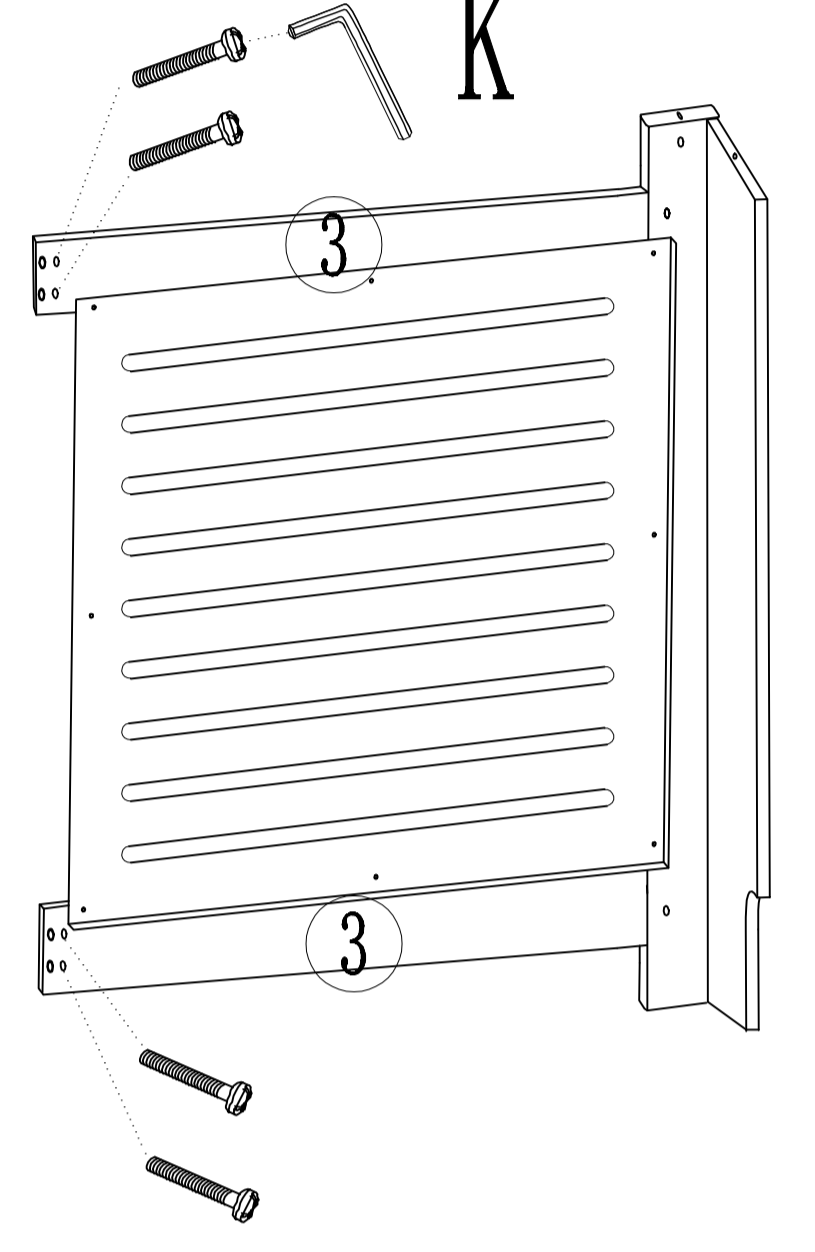
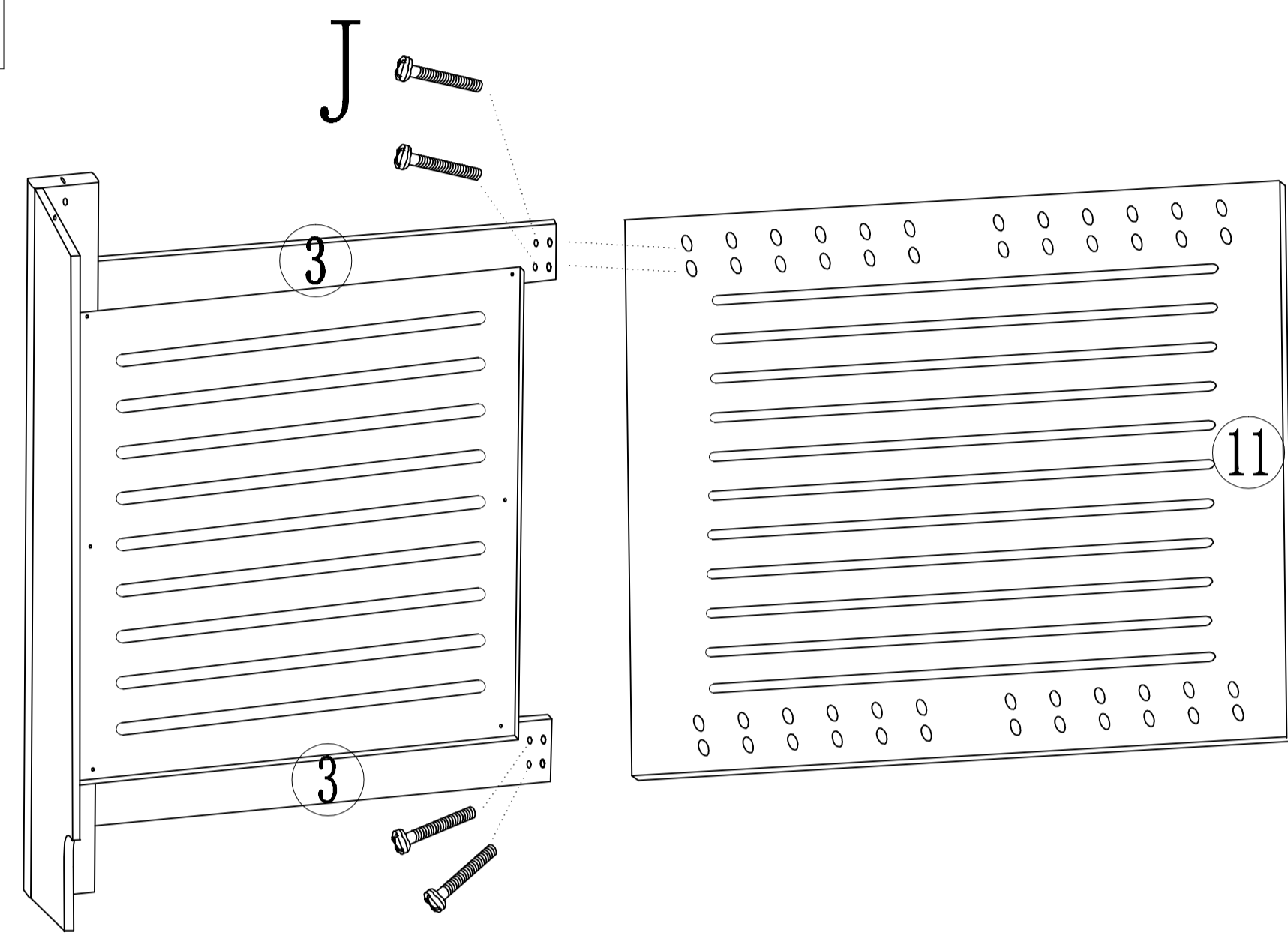


Bx6  
Cx6

Bx4  
Cx4  
Dx8

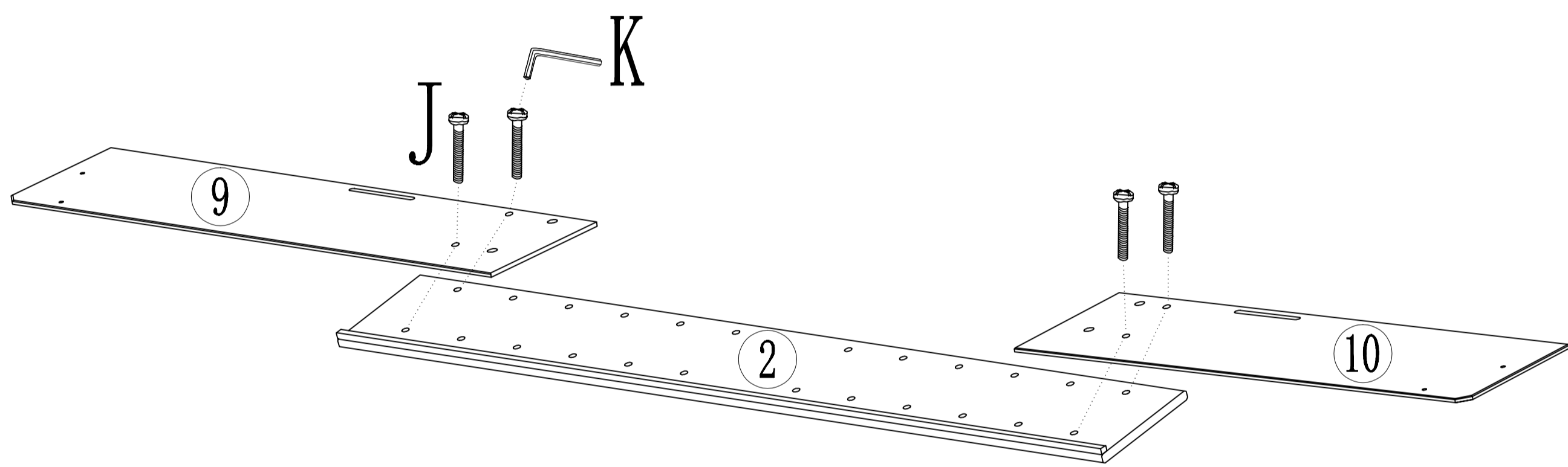


3 4

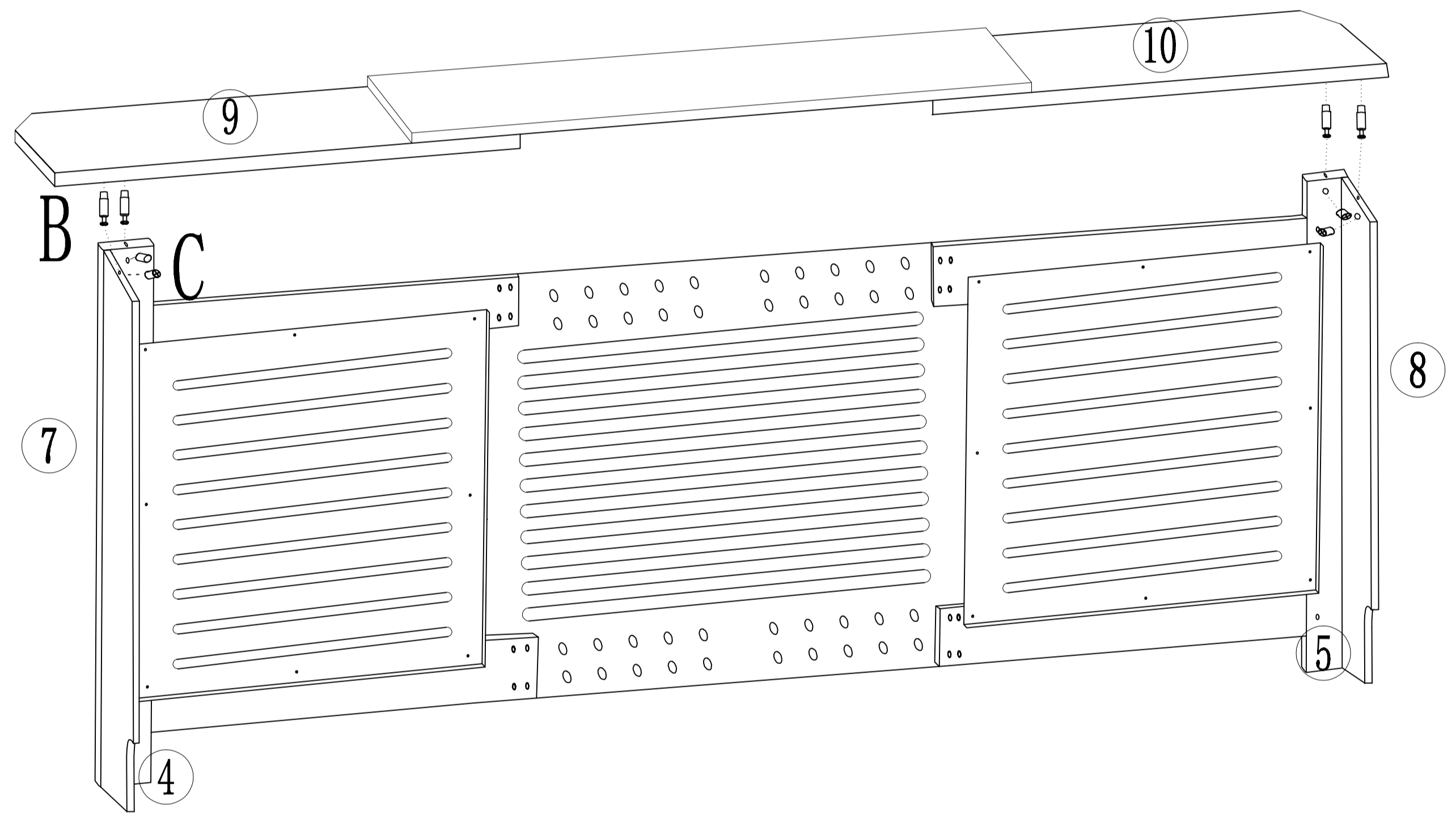


Ex14

Jx8  
Kx1

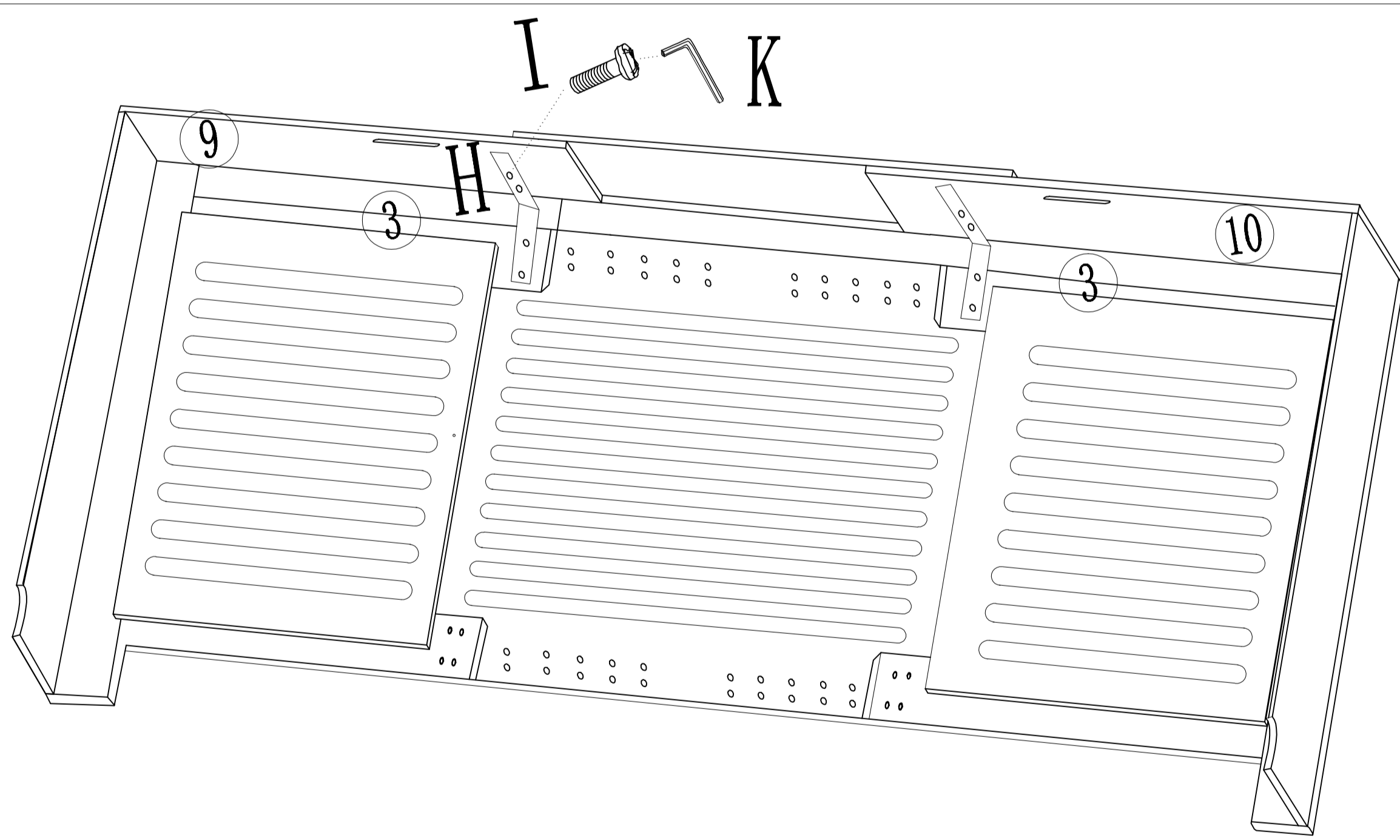


5 6

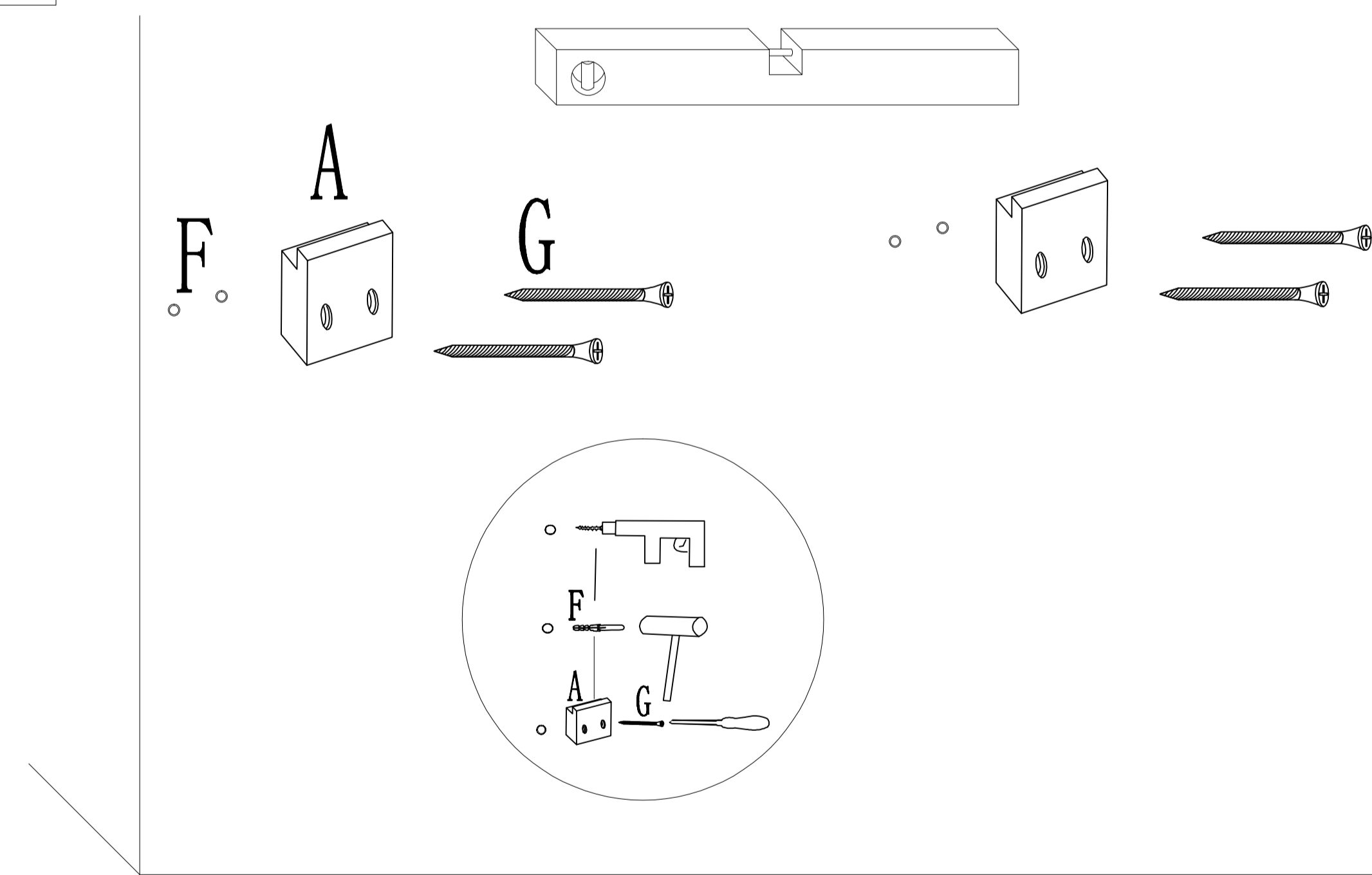


Jx4  
Kx1

Bx4  
Cx4

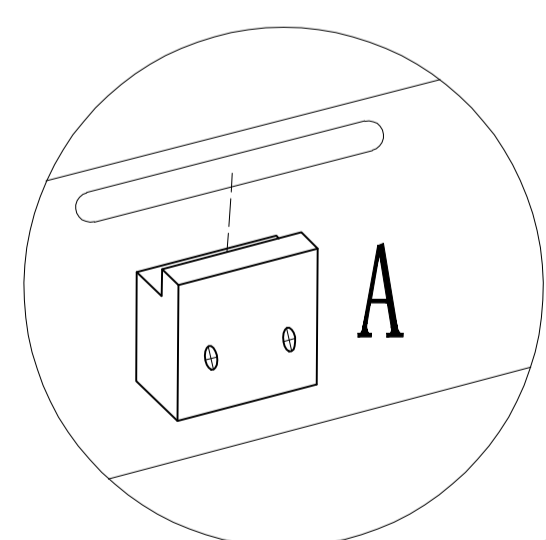


7 8



Hx2  
Ix8  
Kx1

Ax2  
Fx4  
Gx4



9

