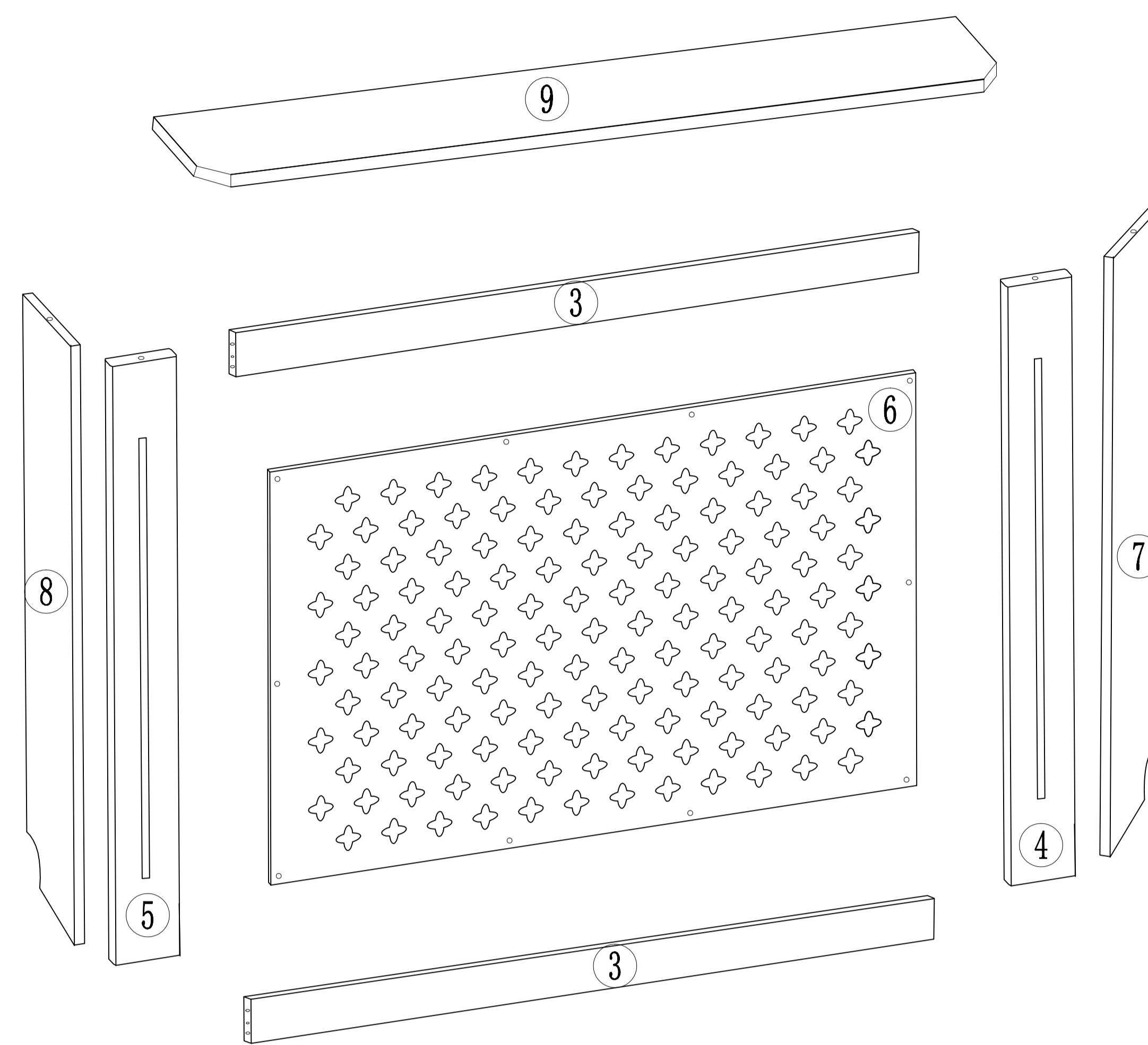
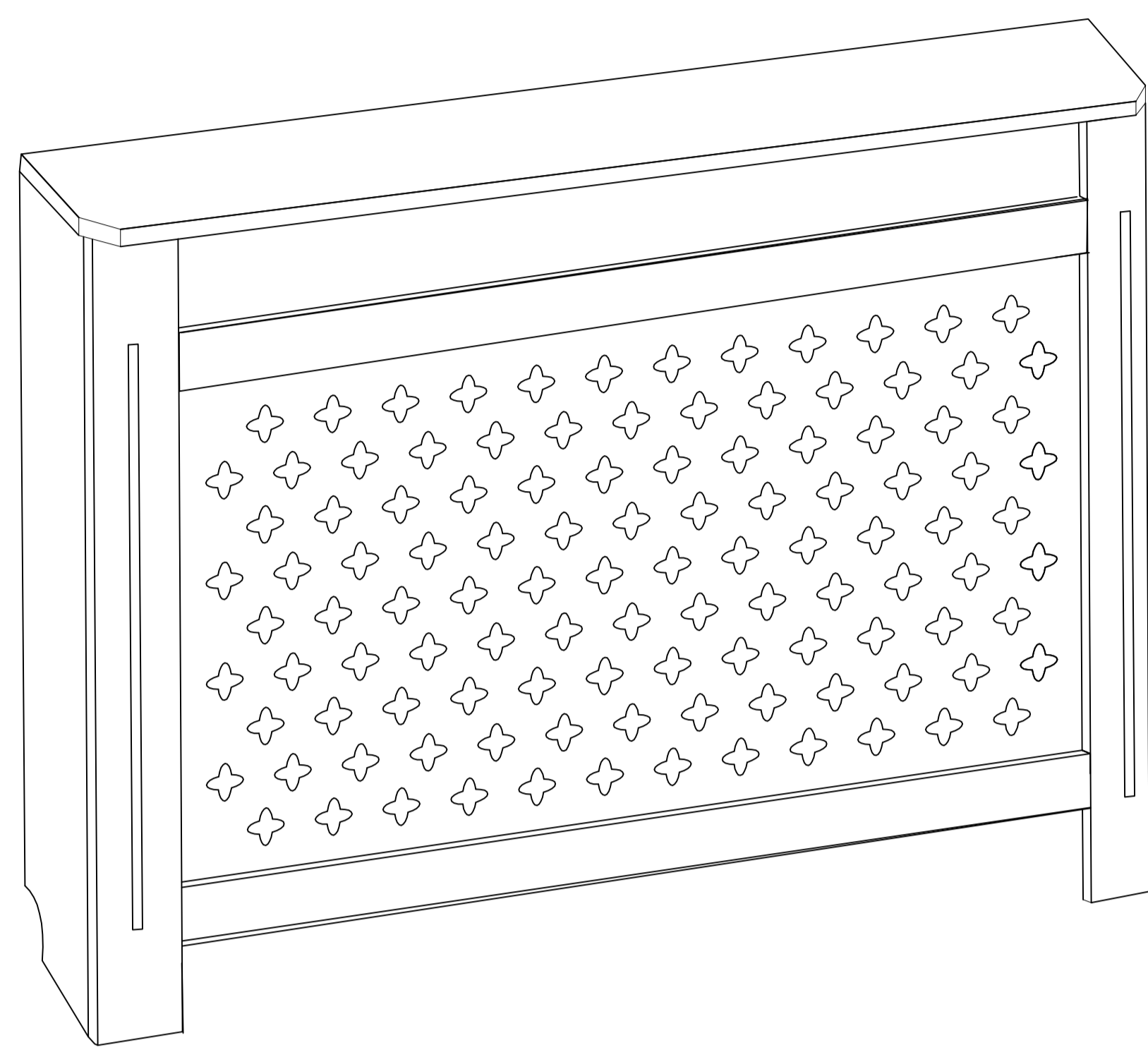
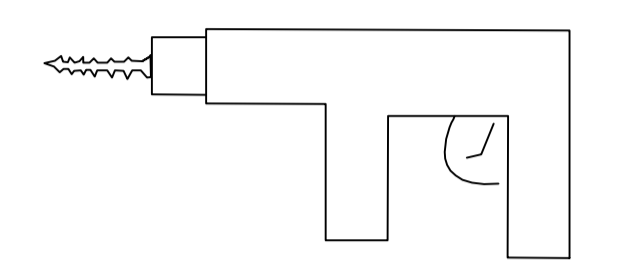


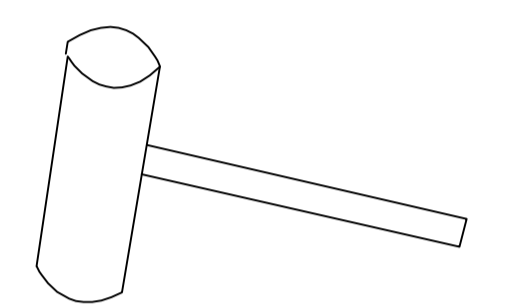
Instruction Manual



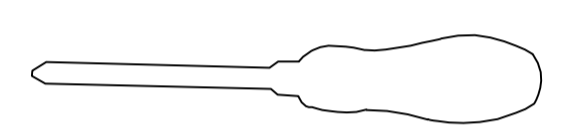
Tools needed



churn drill

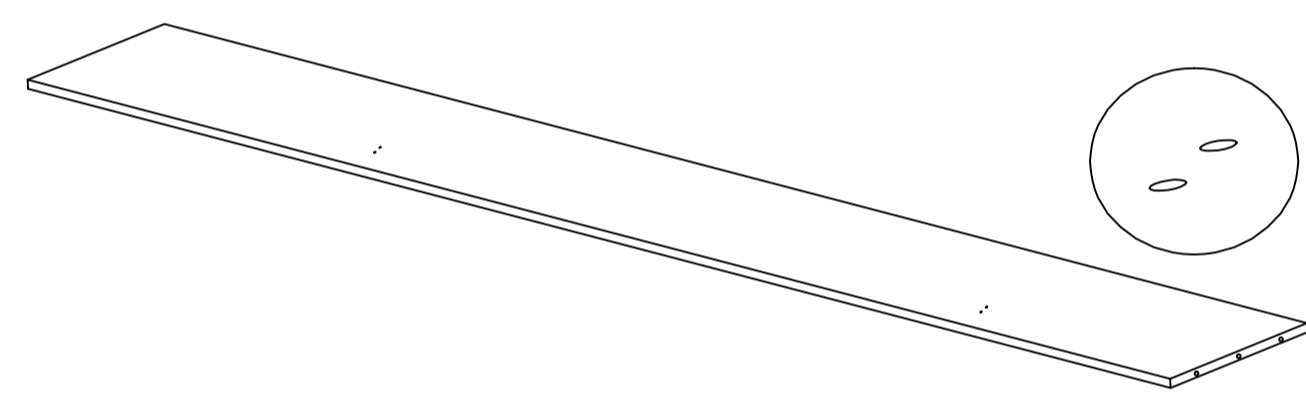


hammer

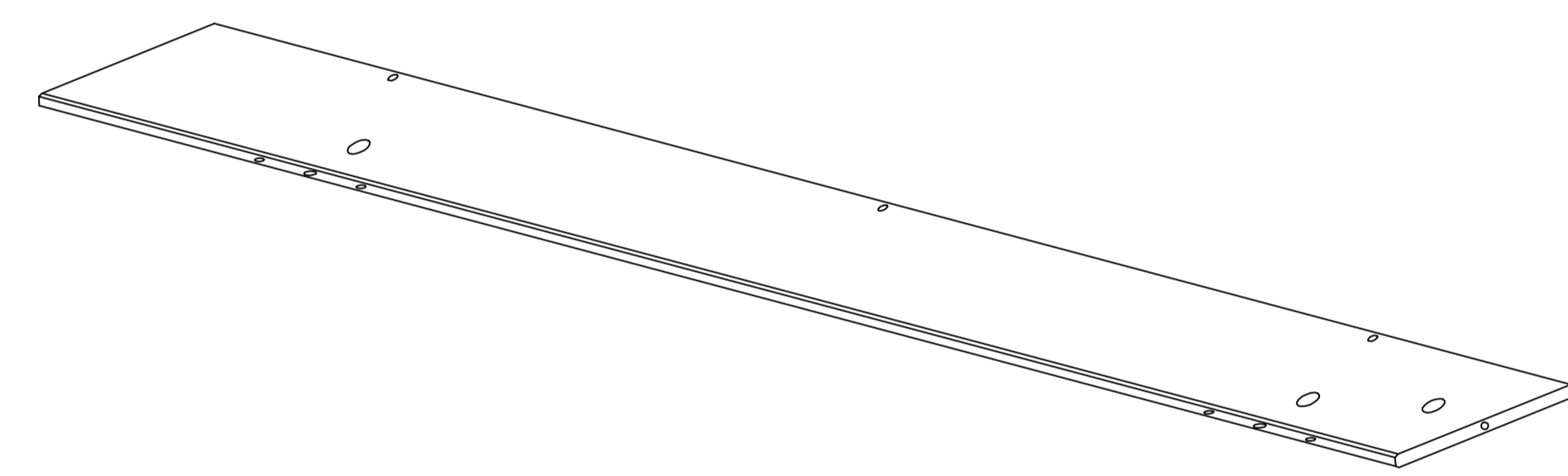


cross screwdriver

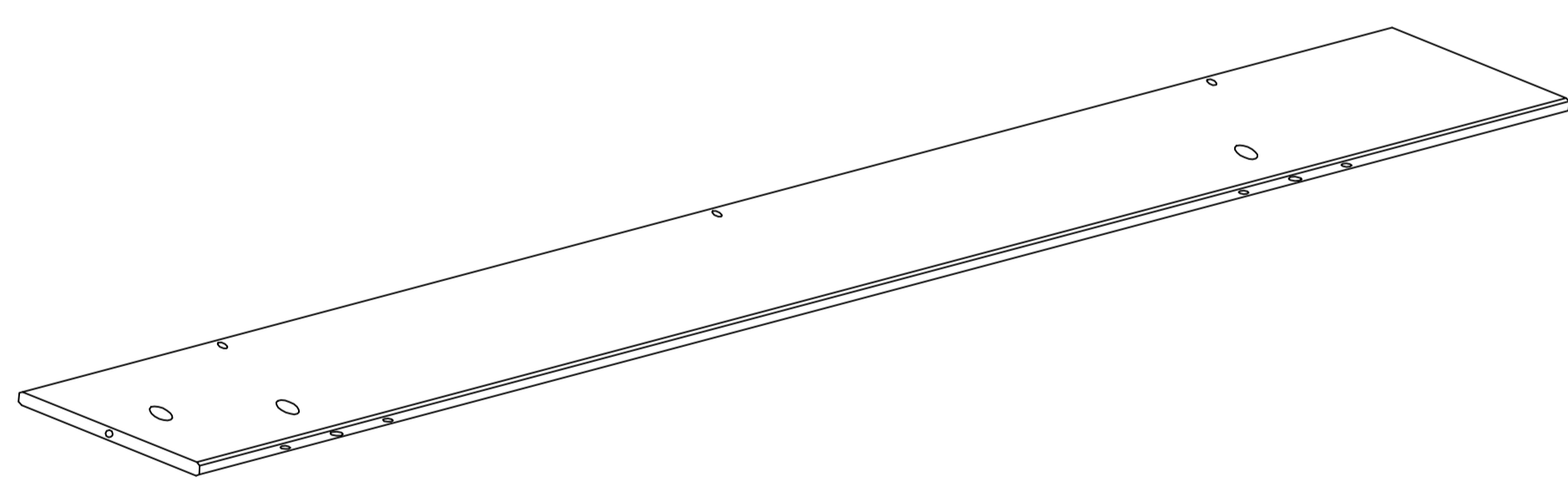
Please note that there is no No.1 and No.2 panel !



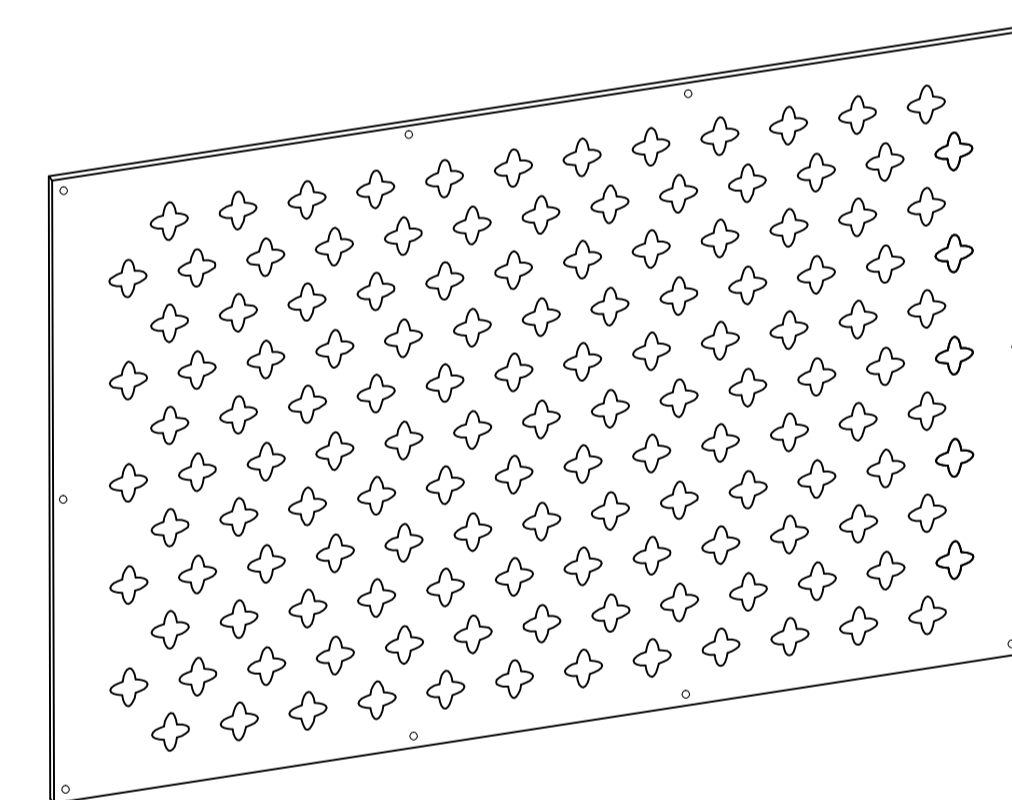
③ x2 872*105*12mm



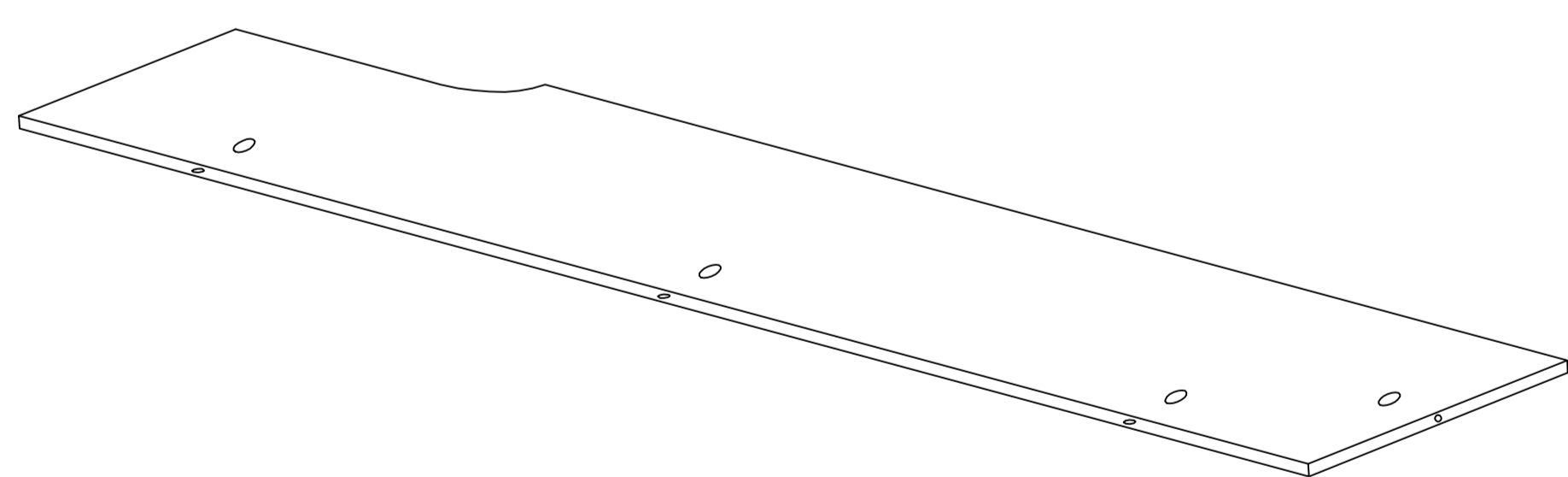
④ x1 803*110*12mm



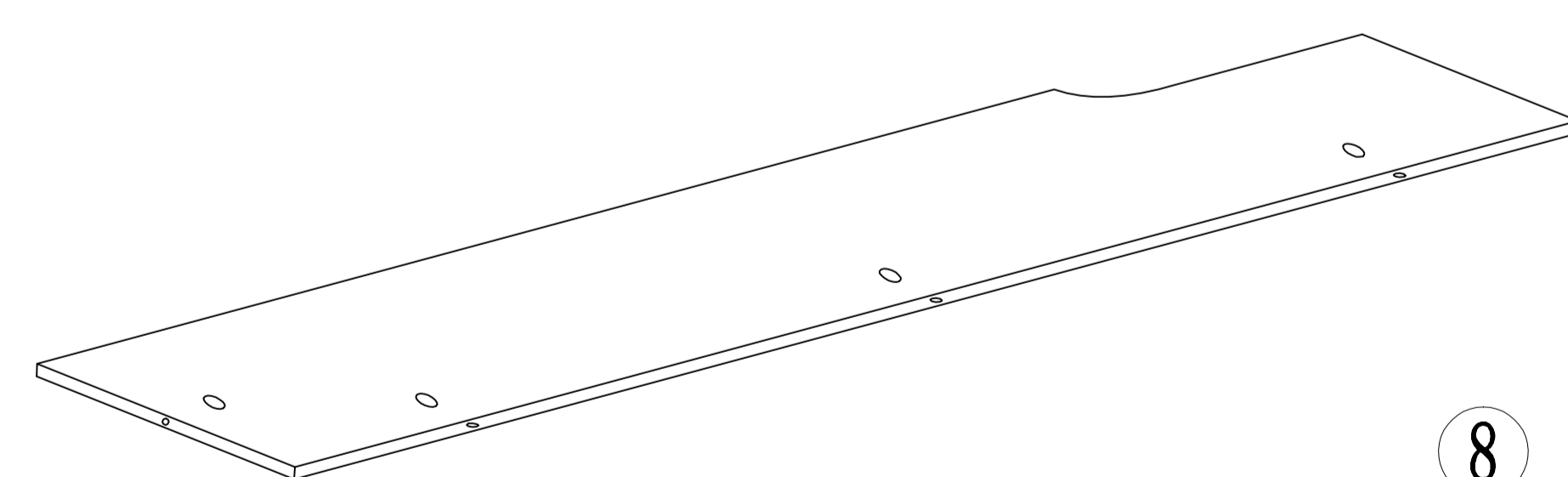
⑤ x1 803*110*12mm



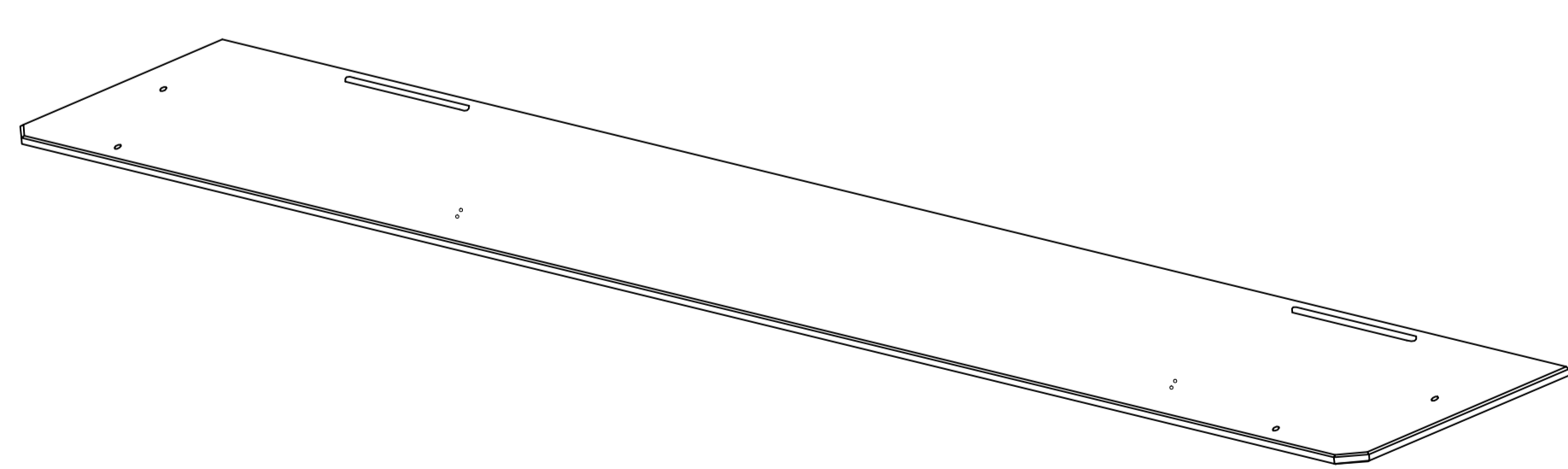
⑥ x1 910*479*3mm



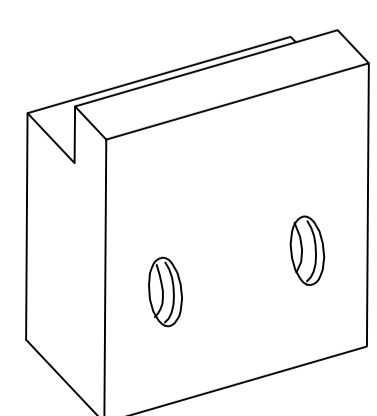
⑦ x1 803*168*12mm



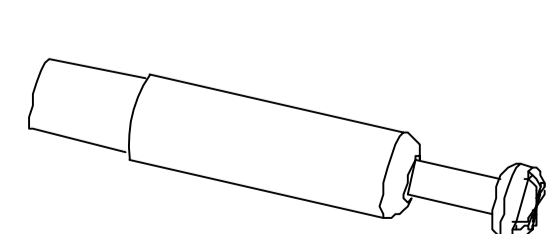
⑧ x1 803*168*12mm



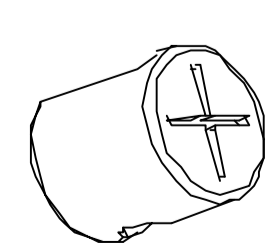
⑨ x1 1120*190*12mm



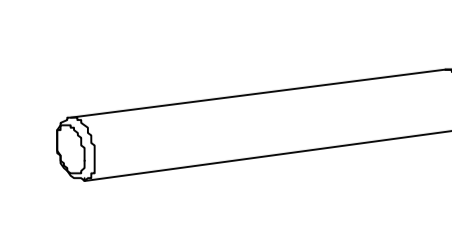
Ax2



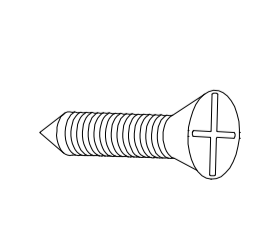
Bx14



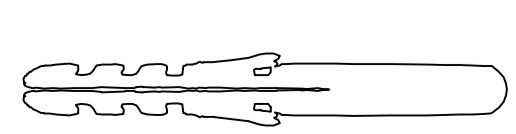
Cx14



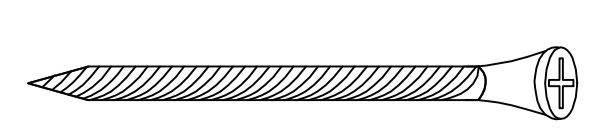
Dx8



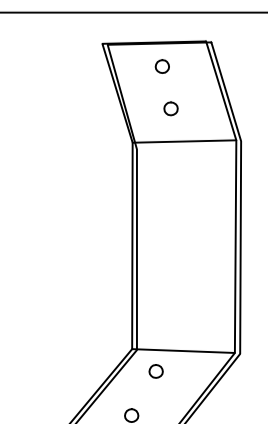
Ex10



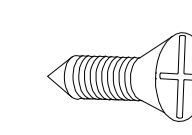
Fx4



Gx4



Hx2

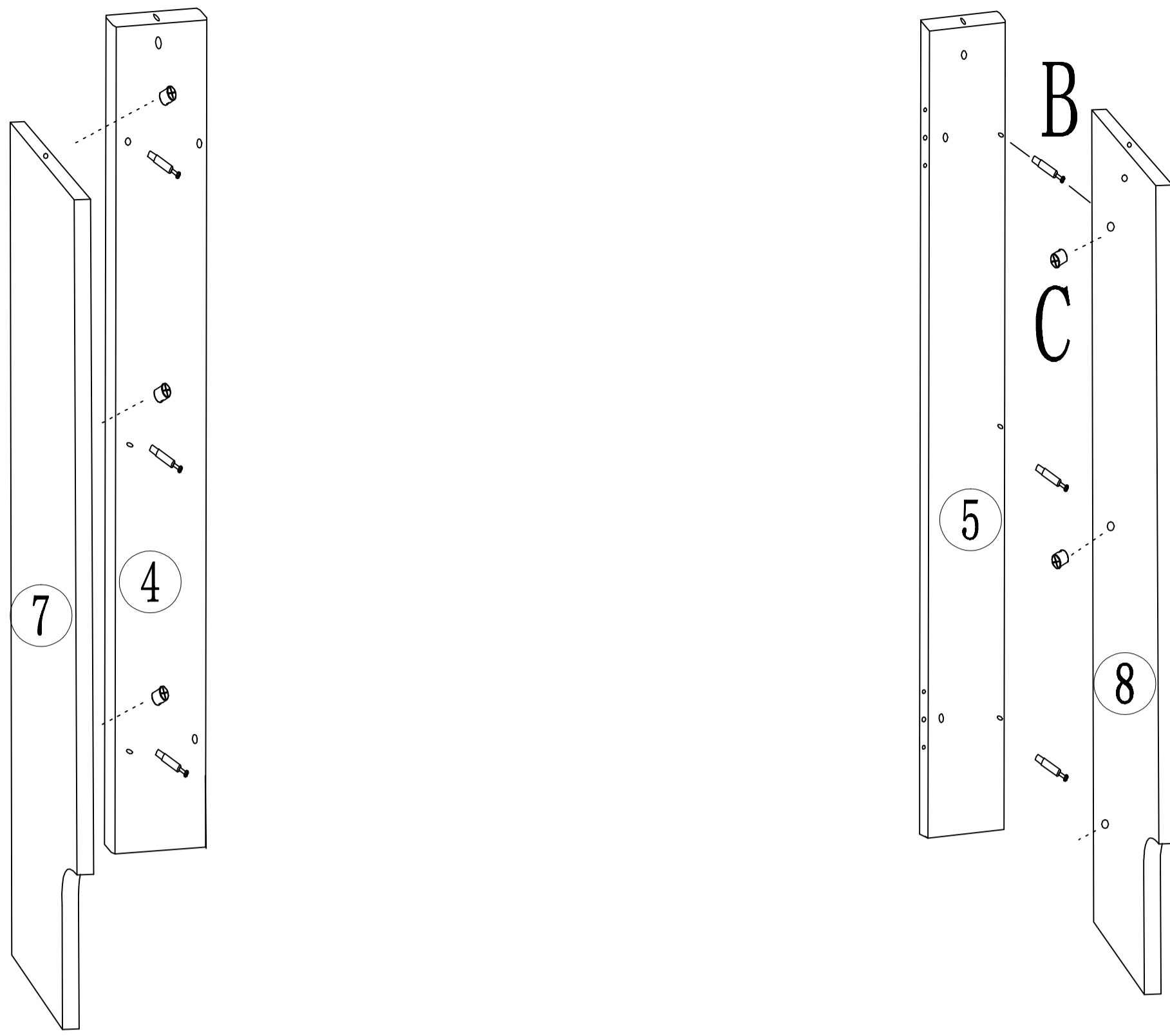


Ix8

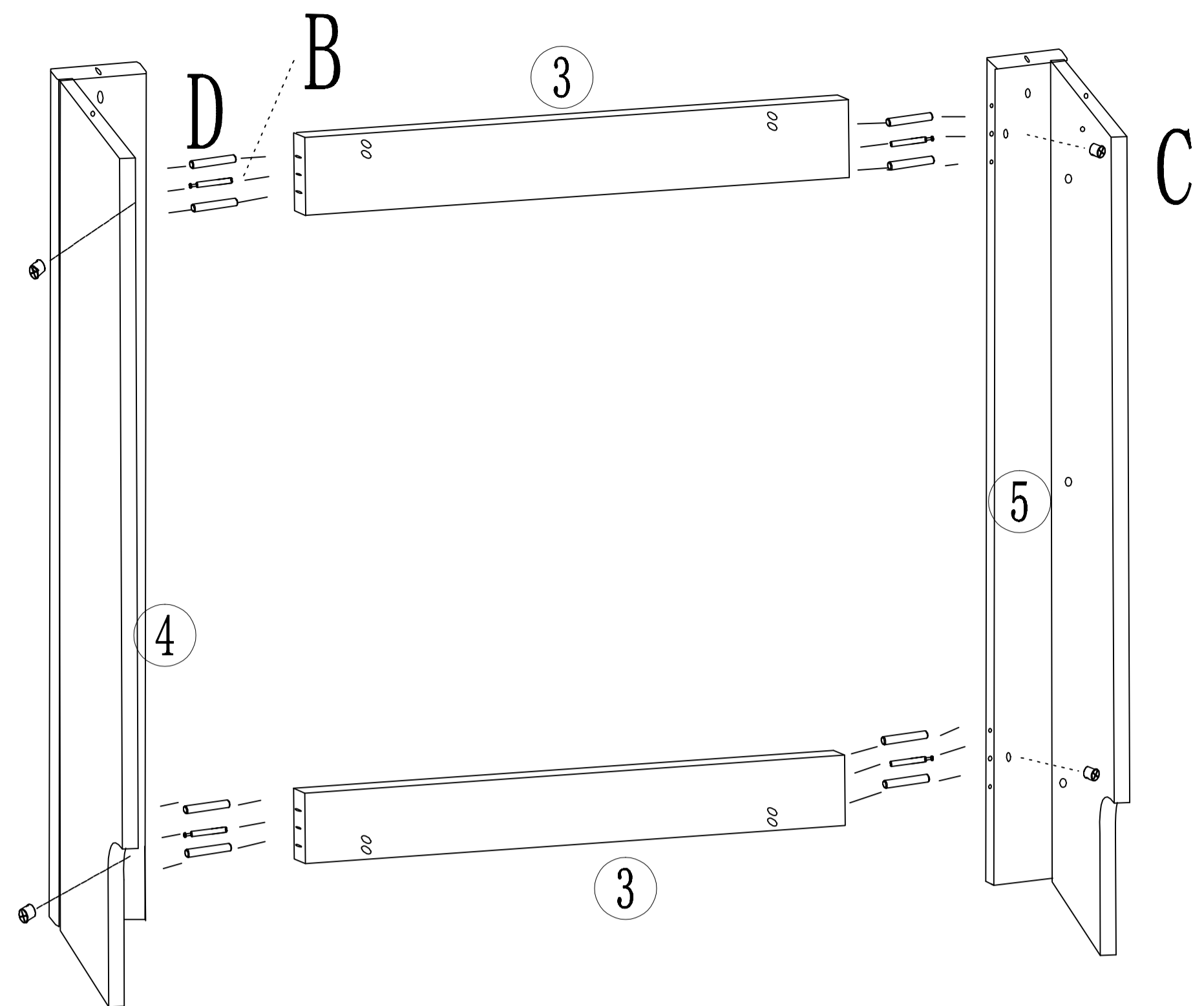


Using a screwdriver, screw in the #B screws securely. Please do not over tighten as it may cause wood to splinter.
 The small arrow on the #C Cam Locking Screw should be facing the #B screws extending from the panel.
 Use screwdriver to tighten securely, but avoid over tightening, screws may protrude through the panel.

1 2

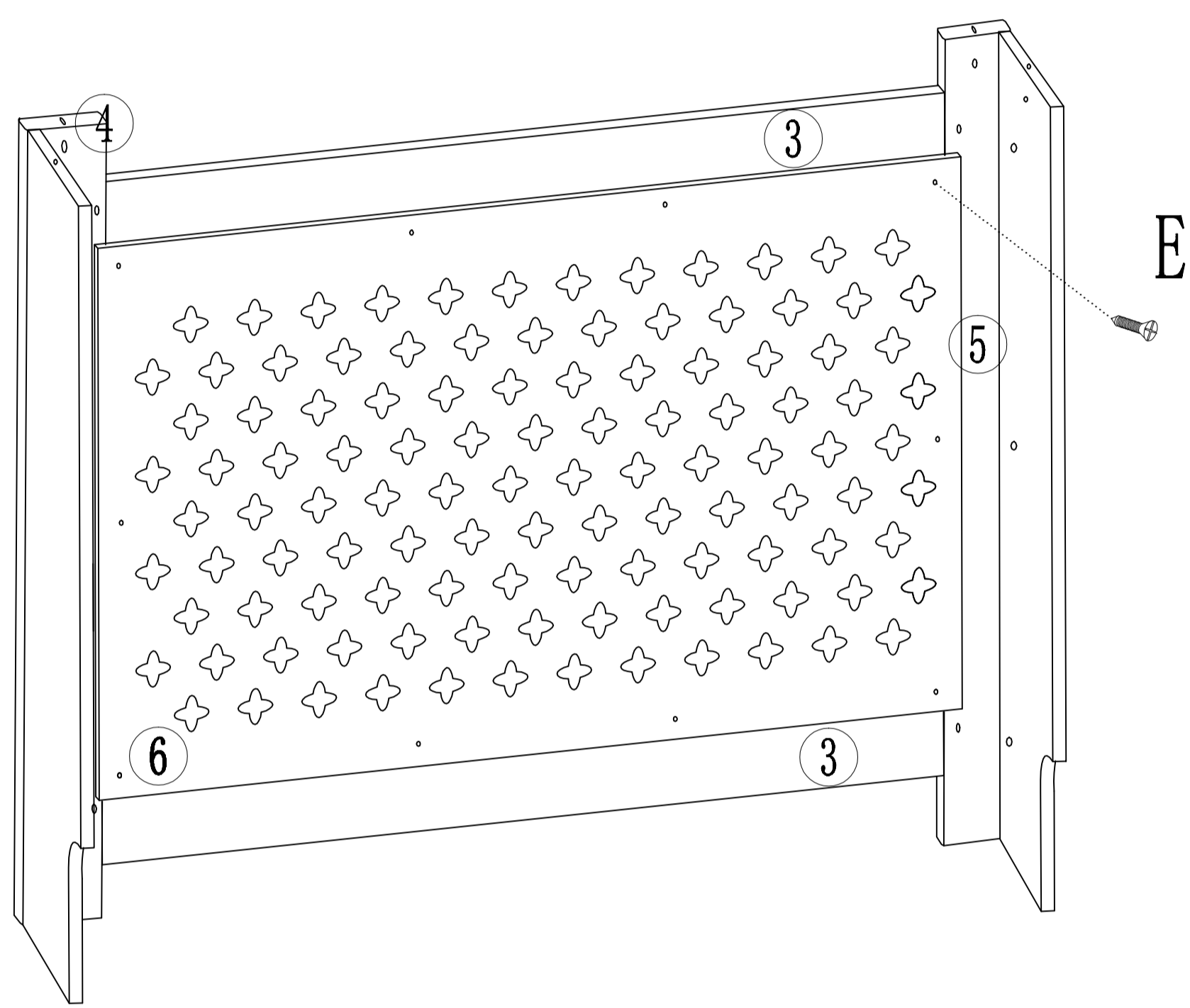


- Bx6
- Cx6

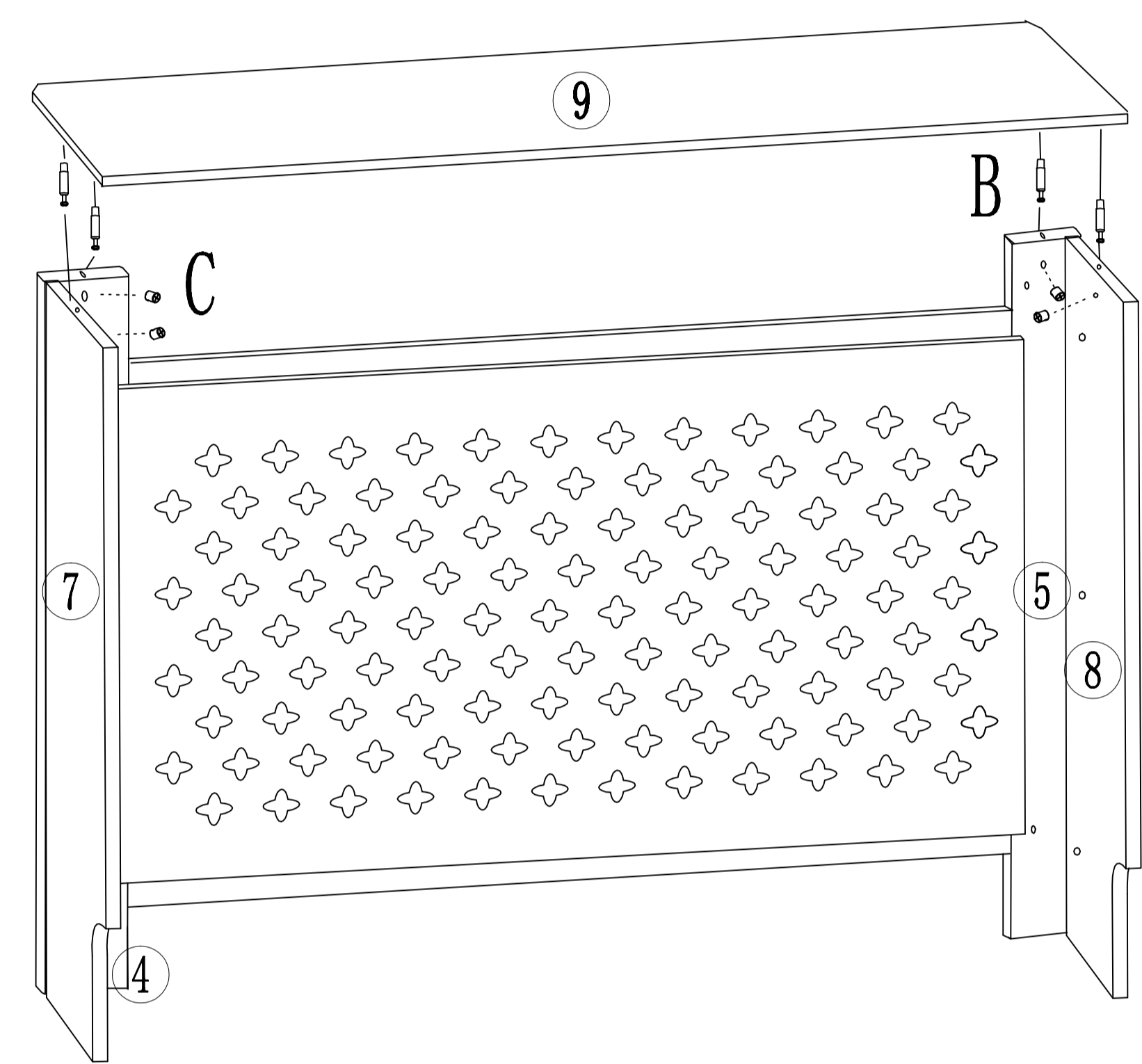


- Bx4
- Cx4
- Dx8

3 4

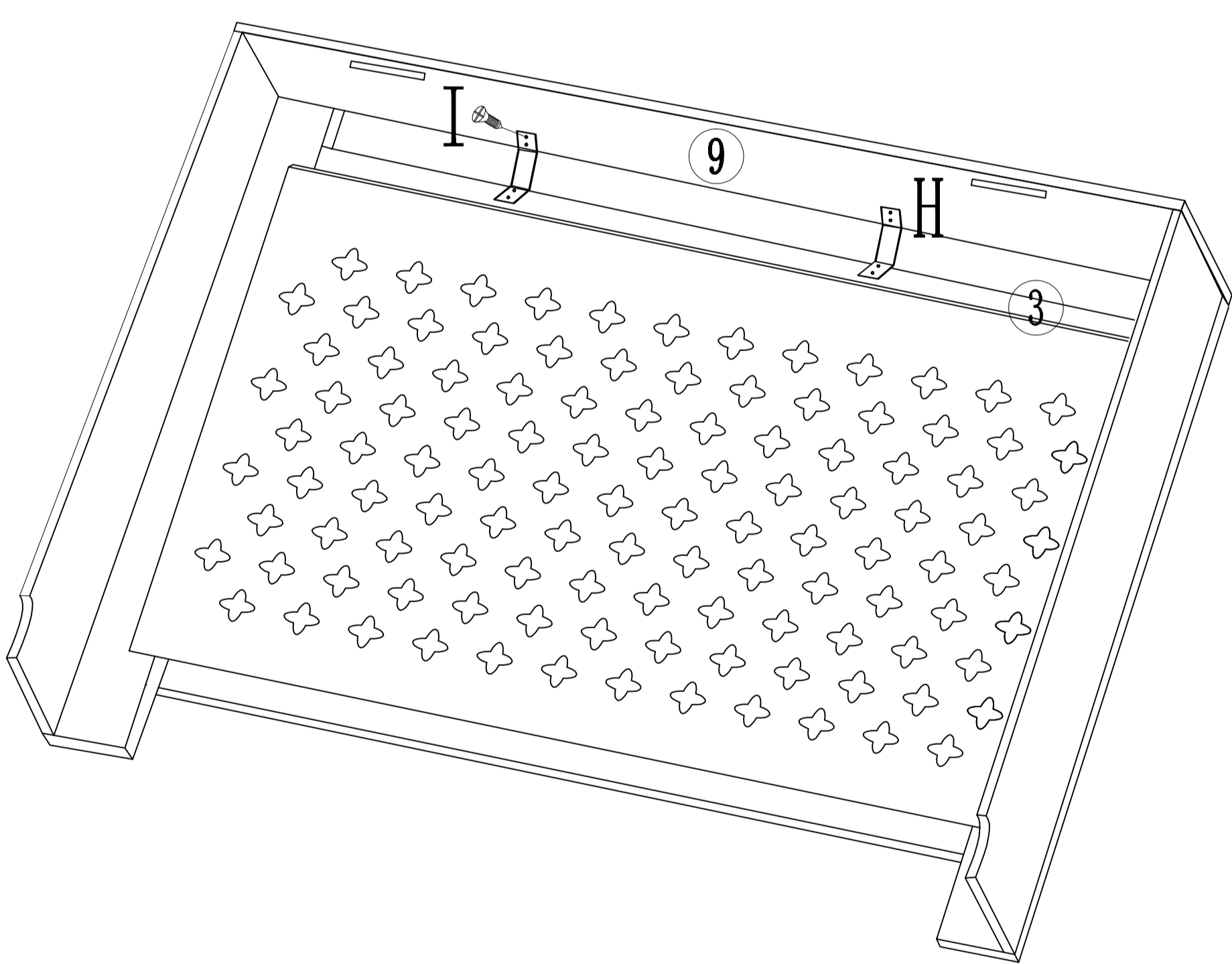


- Ex10

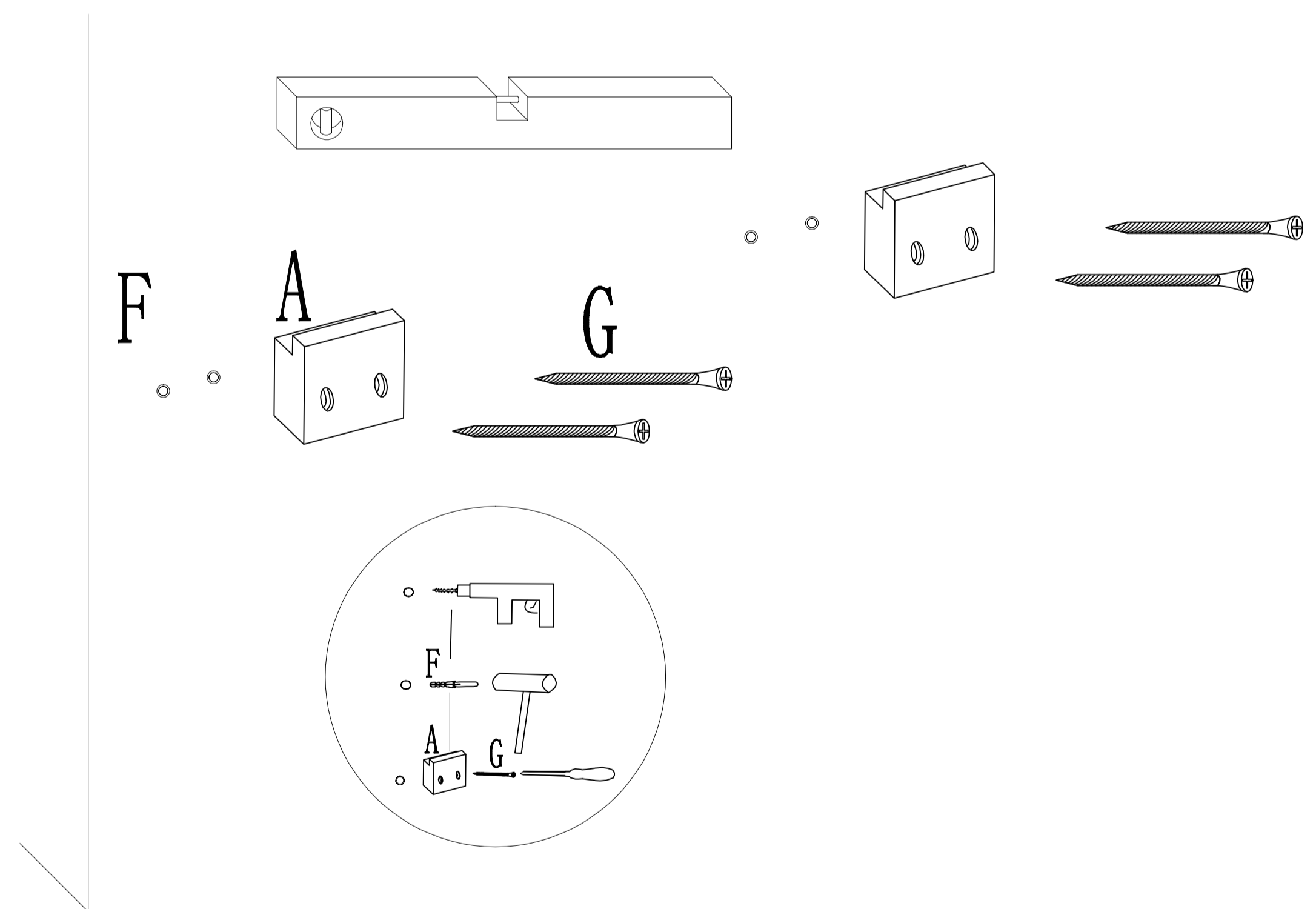


- Bx4
- Cx4

5 6



- Hx2
- Ix8



- Ax2
- Fx4
- Gx4

7

