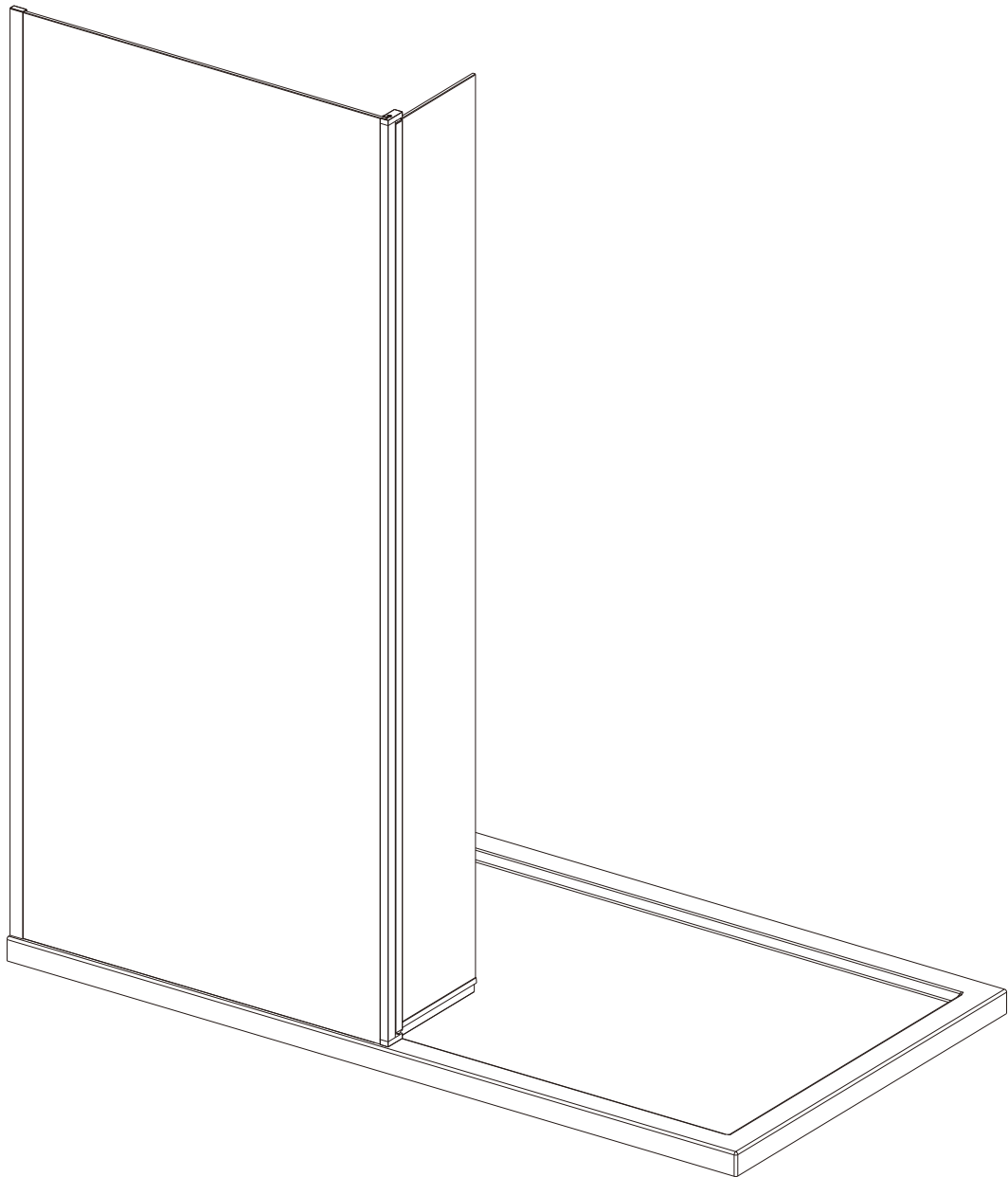


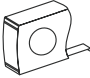


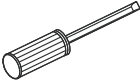
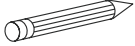
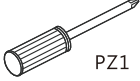
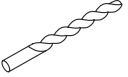
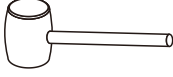


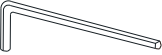

8MM WET ROOM FLIPPER PANEL




General Information

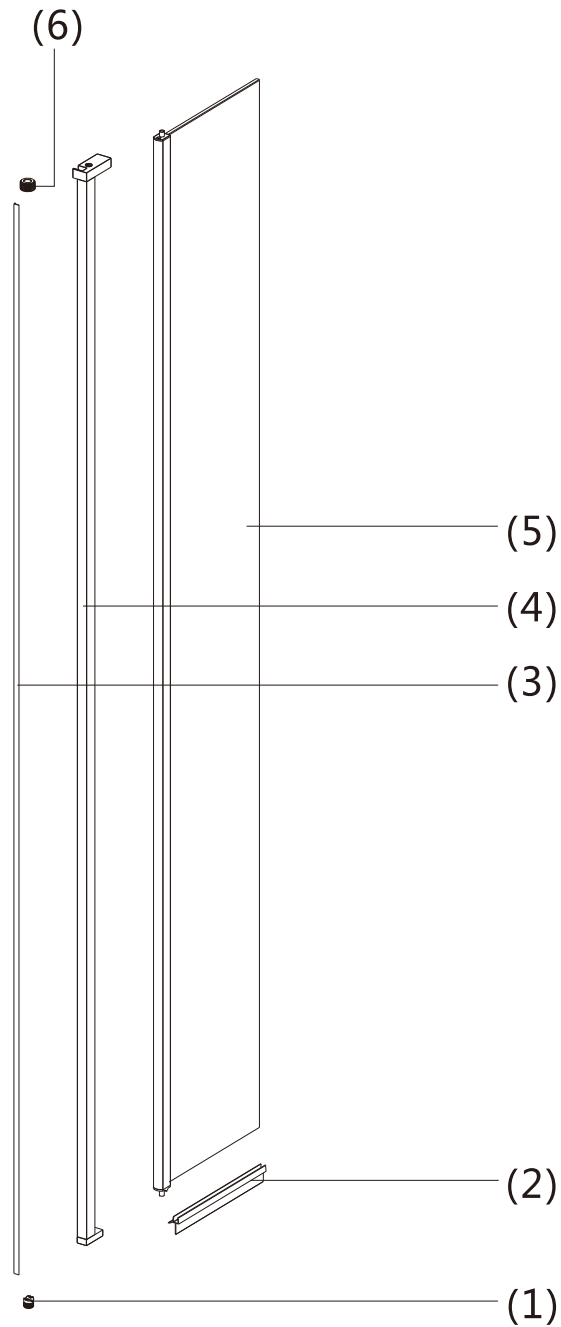
Please inspect this product upon delivery. Any missing parts or manufacturing defects must be reported immediately to the supplier. Damage or defects reported later will not be accepted. TAKE CARE WHEN HANDLING GLASS PARTS-AVOID HEAVY CONTACT BETWEEN THE GLASS EDGES AND ANY HARD SURFACE. Glass breakage claims will not be accepted after the product has been unpacked.

TOOLS REQUIRED

DESCRIPTION	PART IMAGE	DESCRIPTION	PART IMAGE
Tape measure		Drill	
Spirit level		Flat-head Screwdriver	
Pencil		Cross head Screwdriver	
Ø6mm Drill bit		Mallet	
Ø3mm Drill bit		Silicone Sealant	
Ø3mm Hexagon Wrench		Ø2mm Hexagon Wrench	

 This product is heavy and may require two people to install.

ASSEMBLY INSTRUCTIONS - DRAWING

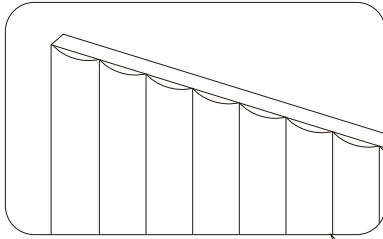


- (1) 1x Bottom Pivot Core
- (2) 1x Bottom Seal
- (3) 1x Wedge Gasket Seal B
- (4) 1x Corner Post
- (5) 1x Flipper Panel
- (6) 1x Top Pivot Core

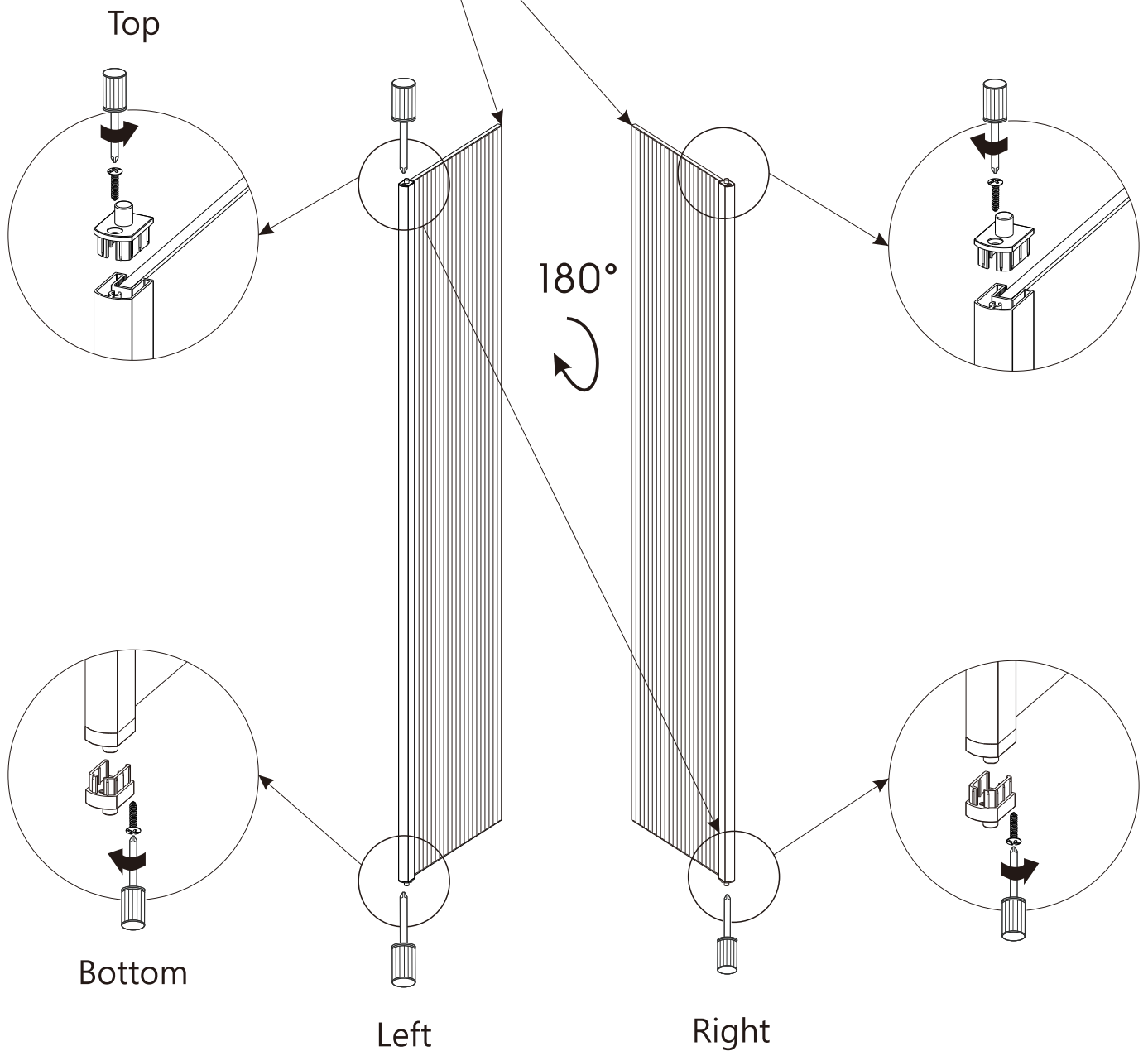
STEP 1 CHECK LEFT HAND OR RIGHT HAND FITTING (FLUTED GLASS)

Note: IF you are flipper panel not fluted glass, then please proceed immediately to step 2, don't follow step 1.

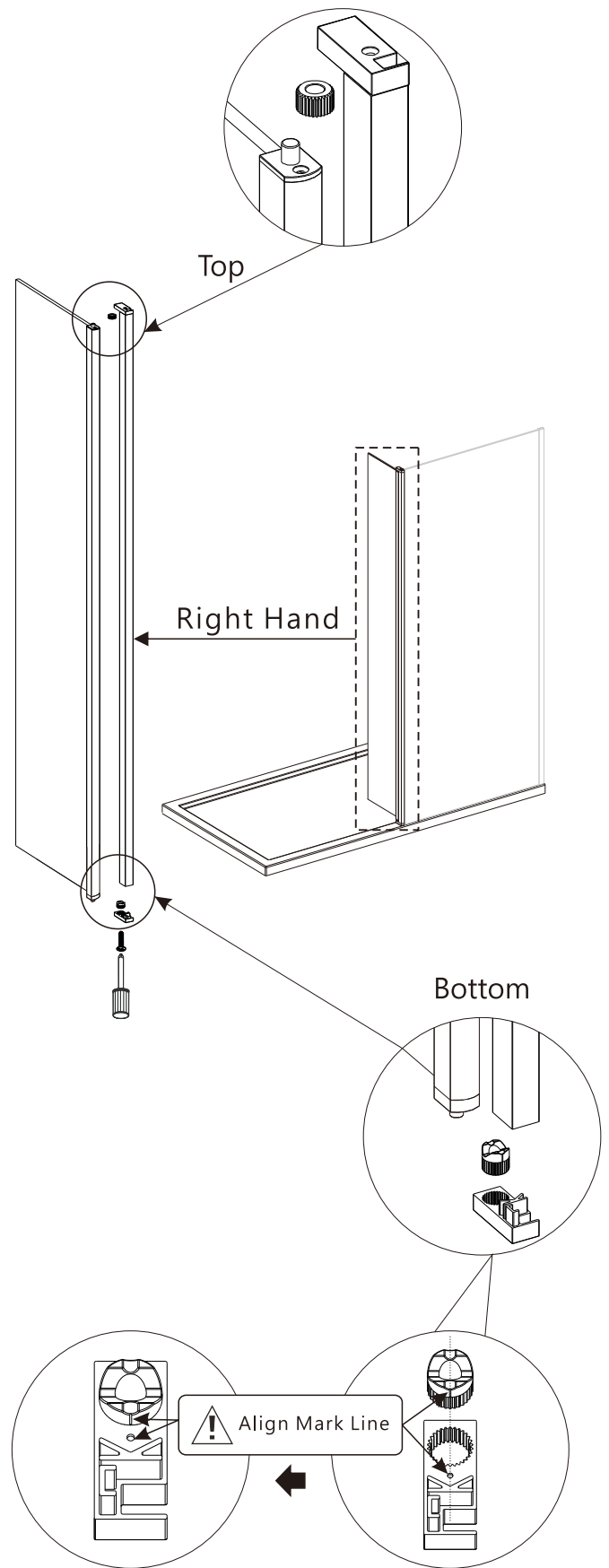
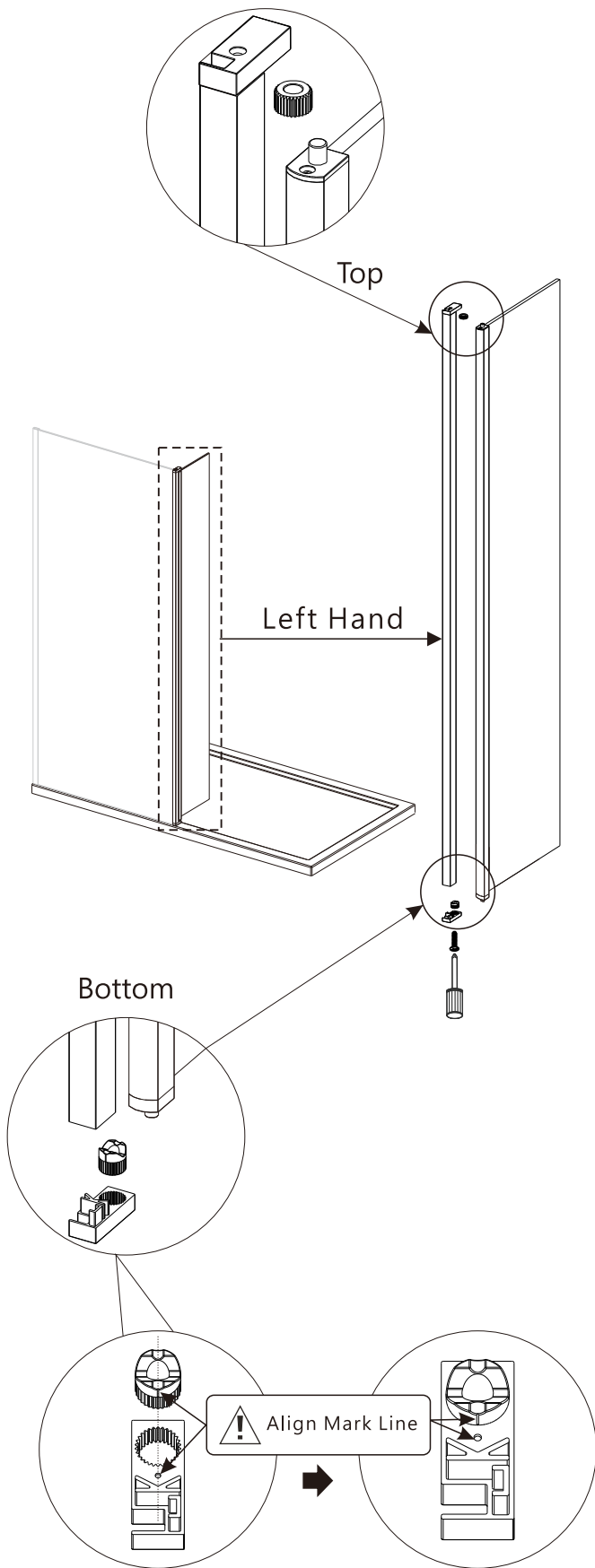
If you are flipper panel is fluted glass, check the left or right hand fitting, unscrew the top and bottom hinges from the profile and re-fit as below show left and right hand.



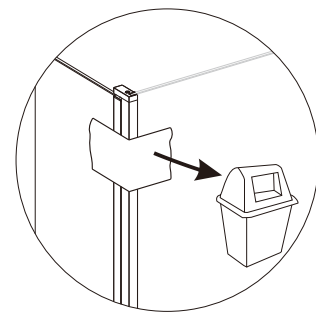
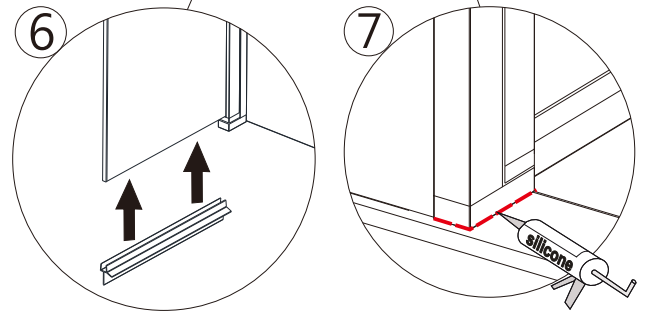
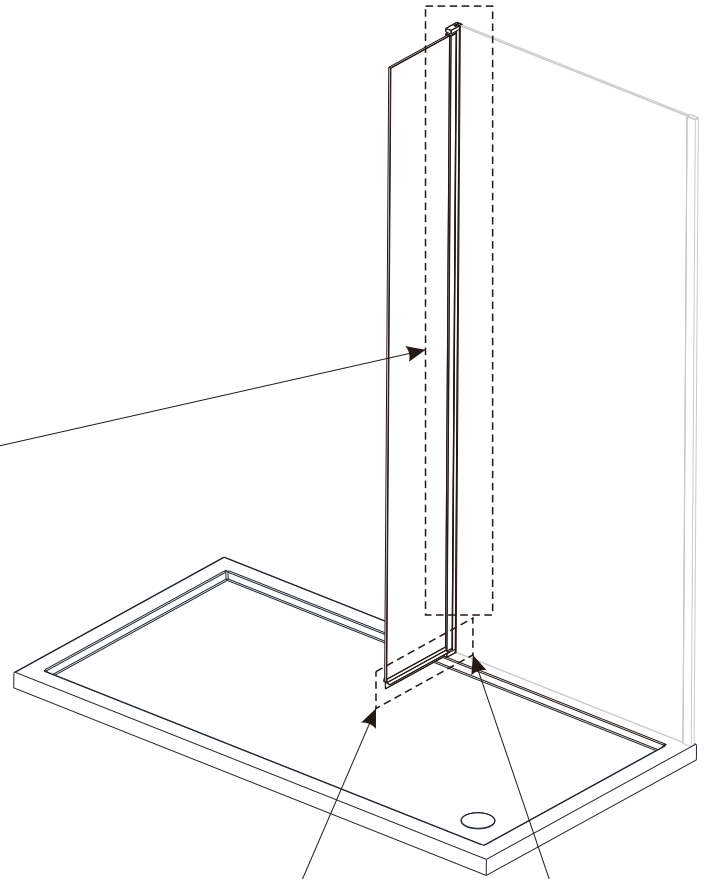
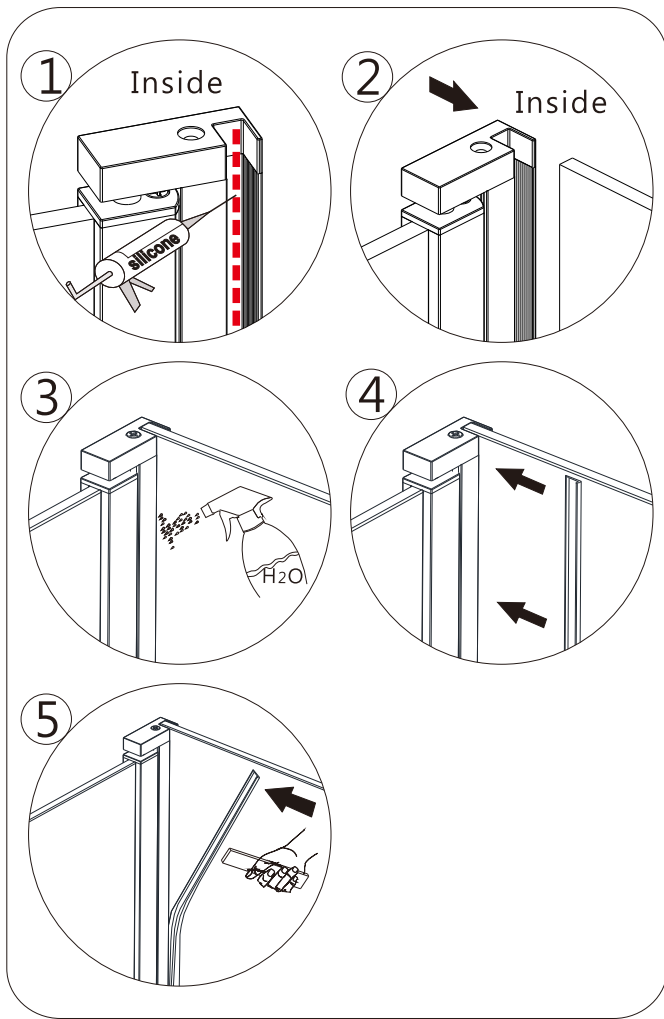
Note: Fitting the Fluted Glass panel, The flat surface must on the inside.



STEP 2 CHECK LEFT HAND OR RIGHT HAND FITTING



STEP 3 FITTING THE SEALS AND TOP CAP



Allow the silicone to dry before removing the fixing labels.



Allow 24 hours for silicone to dry before use.

