

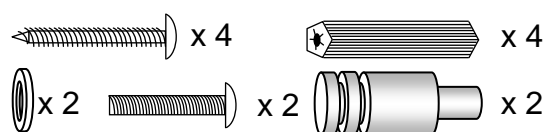
Please follow the fixing and care instructions to ensure your cabinet is fitted safely and retains its high quality finish. **Please retain this leaflet for future reference.**

This instruction leaflet applies to the following products:

WC796005 Tall Two Door Mirror Cabinet

Fixing Pack Contents

Mounting Screws x 4
Wall Plugs x 4
Plastic Washers x 2
Door Knob Screws x 2
Door Knobs x 2



Tools Required

Drill; 6.5mm masonry drill bit; Cross-point screwdriver; Pencil; Spirit level

KEEP DIY TOOLS OUT OF THE REACH OF CHILDREN

Home Safety Advice and Use

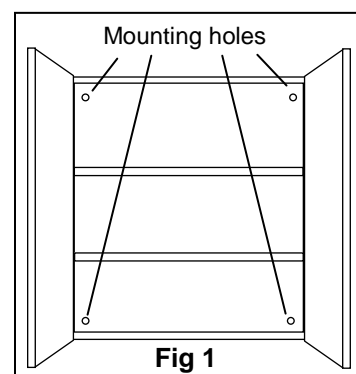
Always take care when using an electric drill in the bathroom. Always check for hidden cables and pipe-work before drilling and take extreme care if there is any water in the working area. It is advisable to use a residual current circuit breaker (RCCB). It is recommended that two people fit the cabinet to ensure that it is fitted safely. Always wear suitable eye protection when drilling.

Do not strike the glass surfaces with hard or sharp objects and do not place hot objects against the glass surfaces. Do not overload the cabinet. Maximum safe working load is 10kg evenly distributed if mounted on to a solid wall. If mounted onto a cavity wall reduce the load to 5kg evenly distributed.

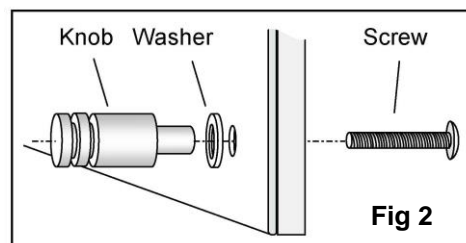
Note: The wall plugs supplied are for use on solid walls only. For cavity walls or plasterboard use specialist fixings that are available from all good DIY stores.

Fixing Instructions

1. Hold the cabinet against the wall in its desired location. Check that the cabinet is straight and level using a spirit level. Open the doors and mark the wall through the holes in the back of the cabinet with a pencil (see Fig 1).
2. Using a 6.5mm masonry drill, drill the holes in the marked positions to a depth of 35mm and insert the wall plugs into the holes in the wall.
3. Hold the cabinet against the wall and align the holes in the back of the cabinet with the wall plugs. Insert the mounting screws through the holes in the back of the cabinet and screw into the wall plugs.



4. To fit door knobs. Place a plastic washer over the end of each door knob and insert the end of each door knob into the holes on the mirrored side of the doors. Secure the door knobs in place using the door knob screws – DO NOT over-tighten the screws (see Fig 2).



Product Care Advice

To retain the best quality finish, clean the product regularly with a soft damp cloth.
Do not use abrasive or chemical cleaners, as these will damage the product.

Check out our full range of Bathroom Furniture

Wide Range of Colours

White Bathroom Furniture / White Gloss Bathroom Furniture

Grey Bathroom Furniture

Black Bathroom Furniture

Walnut Bathroom Furniture

Wide Range of Styles

Bathroom Vanity Units

Bathroom Cabinets

Basin & Toilet Furniture Units

Traditional Bathroom Furniture

Bathroom Drawers

Tall Bathroom Units

Radiator Covers / Radiator Cabinets

plumbworld
Big brands, small prices.