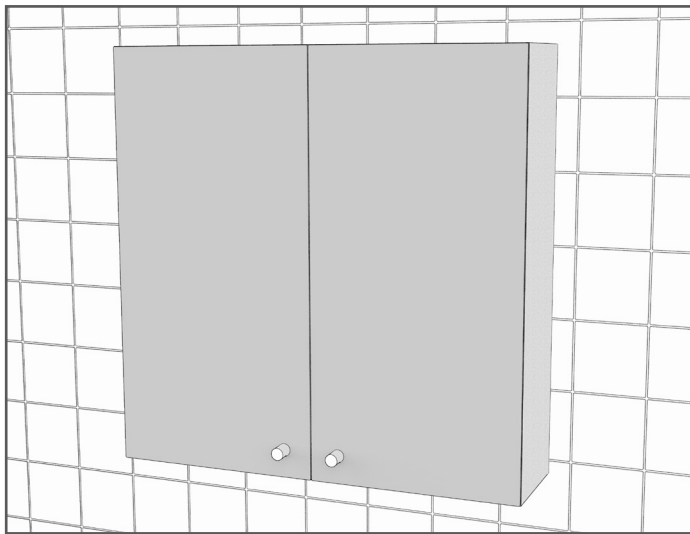


# WC9710\*\* FOIL WRAPPED FLAT PACK CABINETS



## CONTACT DETAILS

UK: Croydex, Central Way,  
Andover, Hampshire, SP10 5AW, UK  
EU: MIL, Unit 8 Purcellsinch Ind Est, Dublin Road,  
Kilkenny, R95 HP71, Ireland

Tel: +44 (0)1264 365881  
Email: [info@croydex.co.uk](mailto:info@croydex.co.uk)  
[www.croydex.com](http://www.croydex.com)

**ALL ILLUSTRATIONS OF THE PRODUCT ARE FOR  
REFERENCE ONLY. COMPONENTS SUPPLIED WITH  
INDIVIDUAL PRODUCTS MAY DIFFER**

**ALL PRODUCT DIMENSIONS DETAILED IN THIS  
INSTALLATION AND MAINTENANCE MANUAL ARE  
APPROXIMATE**

**ALWAYS CHECK THE PACKAGING FOR FIXINGS AND PARTS BEFORE RECYCLING  
OR DISPOSAL.**

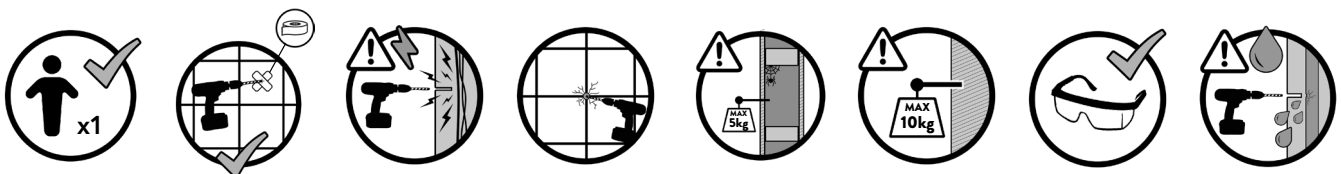


**PLEASE READ THROUGH AND FULLY UNDERSTAND THE INSTRUCTION LEAFLET  
BEFORE STARTING THE INSTALLATION OF THIS CABINET.**

**ENSURE YOU HAVE ALL THE FIXINGS AND PARTS BEFORE ATTEMPTING TO  
ASSEMBLE OR FIT THIS CABINET.**

## SAFETY & PRODUCT CARE

- 1. ALWAYS** take care when using power tools, particularly if there is any water in the working area.
- 2. ALWAYS** wear eye protection when using power tools.
- 3. ALWAYS** check for pipes and cables before drilling into walls.
- 4. NEVER** use a hammer drill when drilling into tiled surfaces.
- 5. ALWAYS** use a drill bit that is suitable for the surface that is being drilled.
- 6.** The wall plugs supplied are for use on solid walls only. For cavity walls or plasterboard **ALWAYS** use specialist fixings that are suitable for the type of wall construction.
- 7.** Wall plugs should be inserted flush with wall surfaces. If fitting to a tiled surface, the wall plugs should be inserted below the surface of the tiles to avoid cracking them.
- 8. DO NOT** slam the door open, as this may damage the hinges.
- 9. DO NOT** use power tools for assembling the product or hinge adjustment including power drills and power screwdrivers.
- 10. DO NOT** strike the product with hard or sharp objects.
- 11. DO NOT** use abrasive or chemical cleaners as these may damage the product.



# SECTION 1 PRE-INSTALLATION

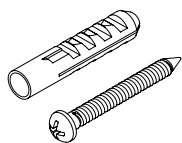
## PRODUCT FITTING

### IMPORTANT!

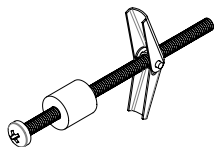
Before attempting to fit or use this product, ensure that it can be properly installed in its intended location taking into account the space required for door/s to open.

## FIXING PACK

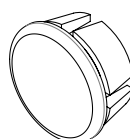
Wall Plug & Mounting Screw x4



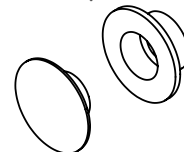
Toggle Bolt Wall Insert x4



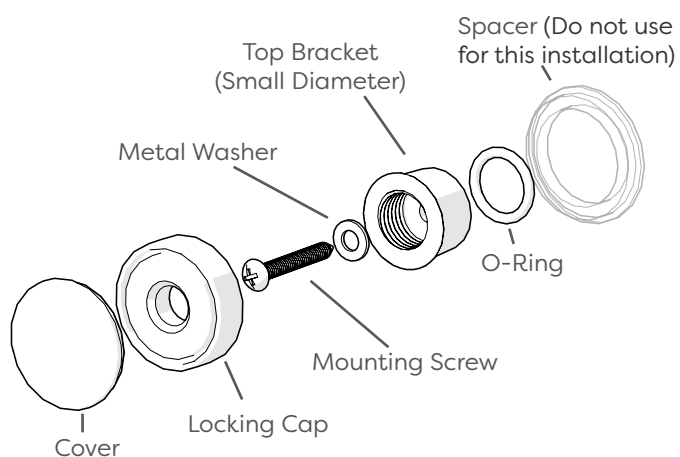
Hole Blanking Cap x2



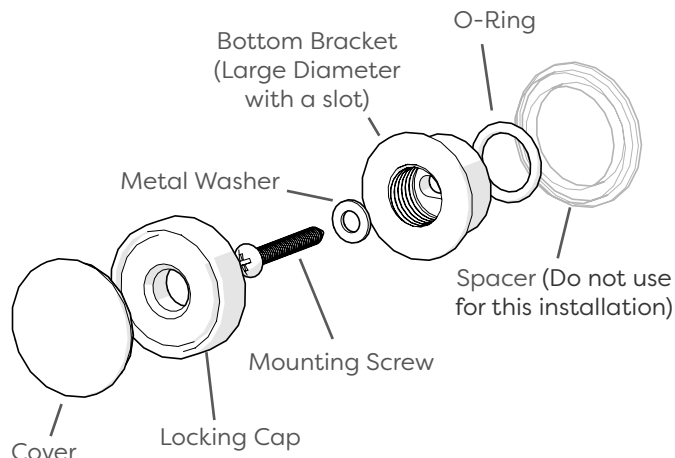
Top Hat Bracket & Cap x2



Top Bracket Mounting Components



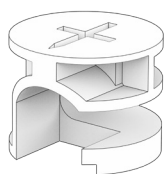
Bottom Bracket Mounting Components



**IMPORTANT! THE SPACER MOULDING IS NOT REQUIRED WITH THIS CABINET**

## CABINET COMPONENTS

Cam Lock



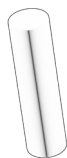
**A** x8

Locking Cam Pin



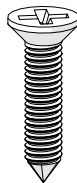
**B** x8

Wooden Dowel



**C** x8

Countersink Screw



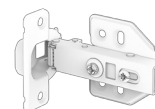
**D** x16

Pan head Screw



**E** x2

Door Hinge



**F** x4

Door Panel



**G** x2

Side Panel



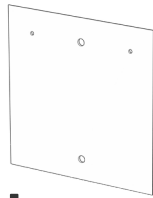
**H** x2

Top/Bottom Panel



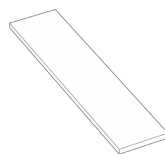
**I** x2

Back Panel



**J** x1

Shelf



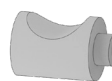
**K** x2

Shelf Pin



**L** x8

Door Handle



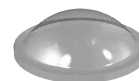
**M** x2

Door Handle Washer



**N** x2

Door Bump Stop



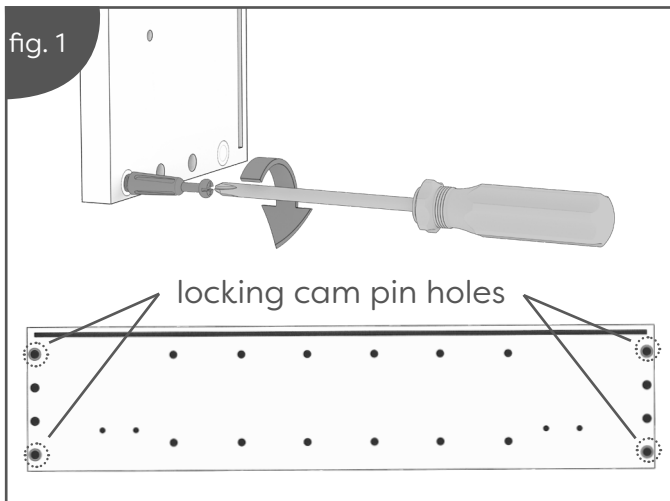
**O** x4

## SECTION 2 - CABINET ASSEMBLY

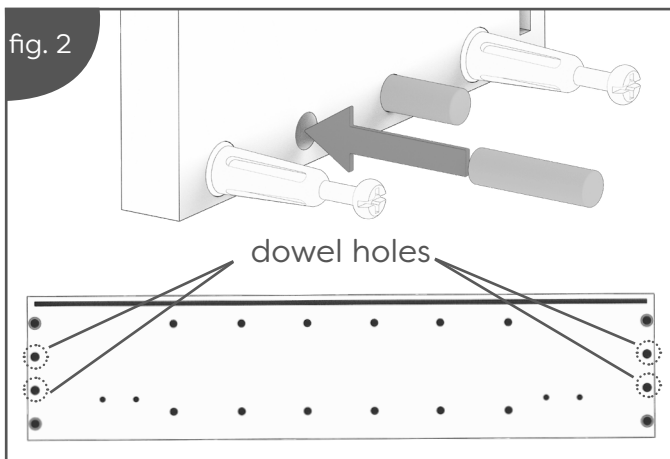
### TOOLS REQUIRED



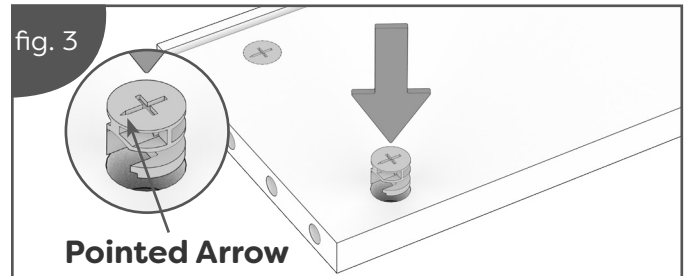
1. Screw in four locking cam pins (B) into both side panels (H) in the holes indicated below using a cross head screwdriver. **DO NOT OVERTIGHTEN!** (See Fig. 1)



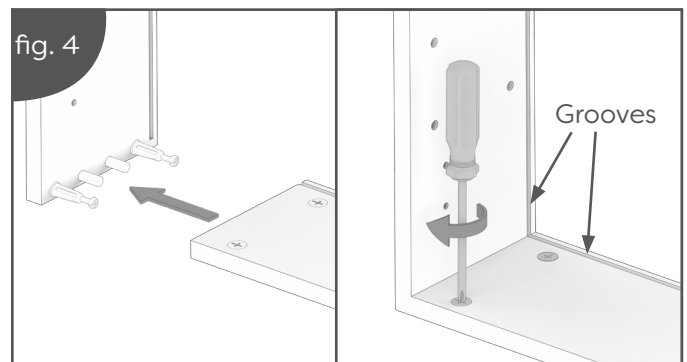
2. Insert four wooden dowels (C) into both side panels (H) in the holes indicated below. **DO NOT USE A HAMMER TO INSERT THE DOWELS!** (See Fig. 2)



3. Insert four cam locks (A) into both top/ bottom panels (I). Ensure the pointed arrow is facing the ends of the panel as shown. **DO NOT OVERTIGHTEN!** (See Fig. 3)

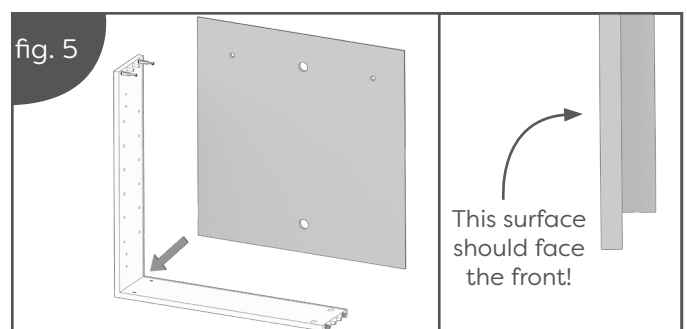


4. Select one top/bottom panel (I) to be your bottom panel and lay it down flat. Select one side panel (H) to be your left side panel and locate it onto the dowels/ locking cam pins. Ensure that the grooves in both panels are located towards the rear of the cabinet. Once seated rotate the cam locks (A) through 90° clockwise to secure in place. **DO NOT OVERTIGHTEN!** (See Fig. 4)



5. Insert back panel (J) ensuring it sits in the grooves properly.

**IMPORTANT:** Ensure the back panel is facing the correct direction. The larger face should be facing the front of the cabinet. (See Fig. 5)

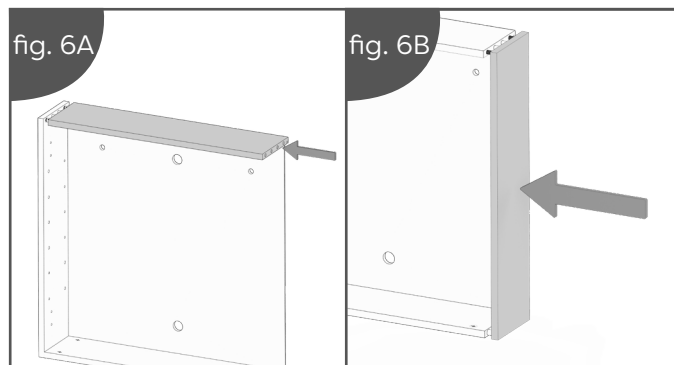


6. Locate the other top/bottom panel (I) onto the left hand side panel and lock in place by rotating the cam locks through 90° clockwise. Then locate the right hand side panel and use the locking cams to secure into place.

**DO NOT OVERTIGHTEN!**

**ENSURE THAT ALL LOCKING CAMS ARE FULLY LOCKED BEFORE PROCEEDING TO THE NEXT STEP!**

(See Fig. 6A & 6B)

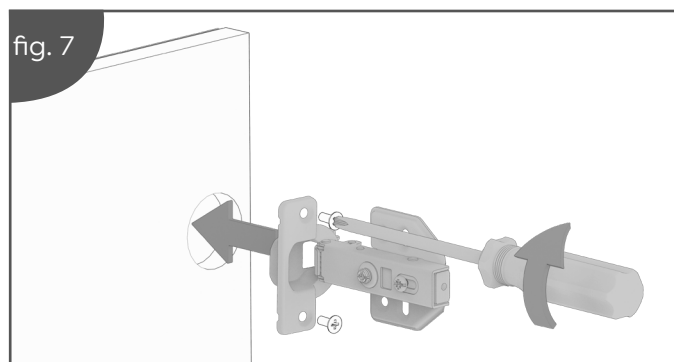


7. Using two countersunk screws (D) attach one door hinge (F) to a door panel (G). Ensure the hinge sits in the circular recess in the door properly.

**DO NOT OVERTIGHTEN!**

Repeat for both hinges on each door.

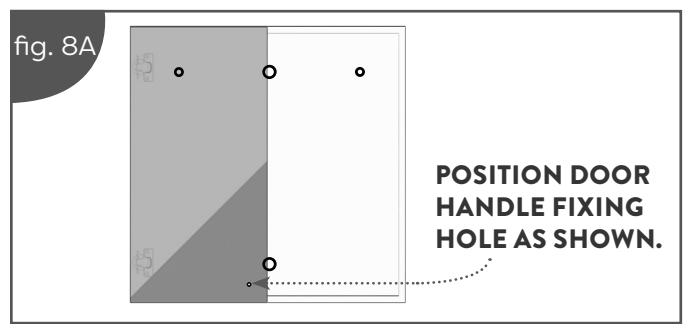
(See Fig. 7)



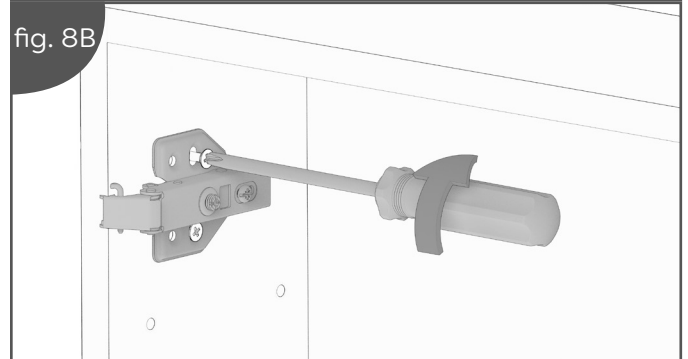
8. Orientate the first door (G) relative to the back panel of the cabinet (J) as shown in Fig. 8A. Then insert two countersunk screws (D) through the vertical slots in the top hinge (F) and into the two fixing holes in the side panel (I). Tighten the screws (D) to secure the top hinge to the side panel (I).

**DO NOT OVERTIGHTEN!** Repeat these steps for the bottom hinge, then repeat for the remaining door.

(See Fig. 8A & 8B)



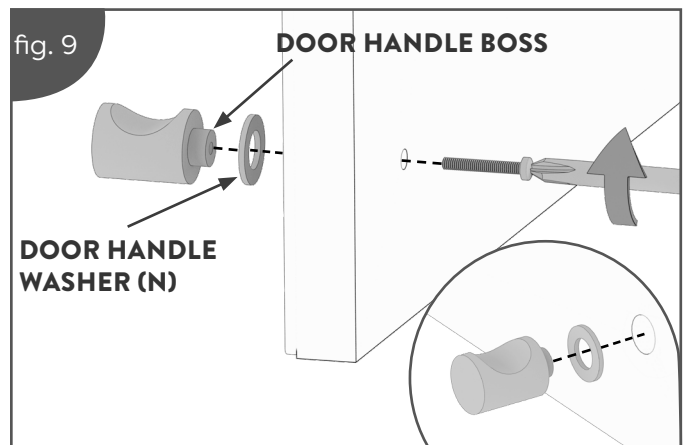
**POSITION DOOR HANDLE FIXING HOLE AS SHOWN.**



9. Attach the door handles (M) to each door using the pan head screws (E). **YOU MUST** ensure that the door handle boss is inserted into the washer (N) and door hole!

**DO NOT OVERTIGHTEN!**

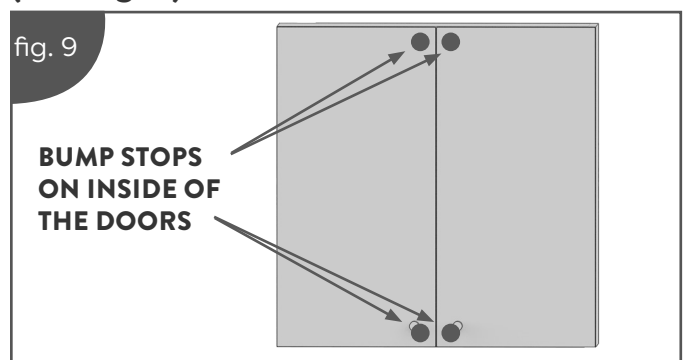
(See Fig. 9)



10. Remove the backing film from the bump stops (O) to expose the adhesive tape. Then attach one bump stop to each corner of both doors as shown below.

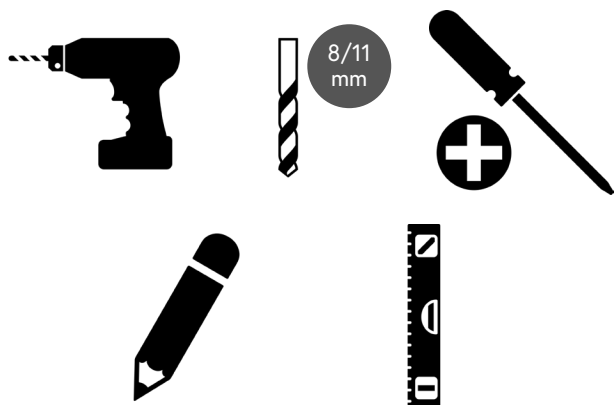
**Note:** These must be affixed to the back of the doors.

(See Fig. 9)



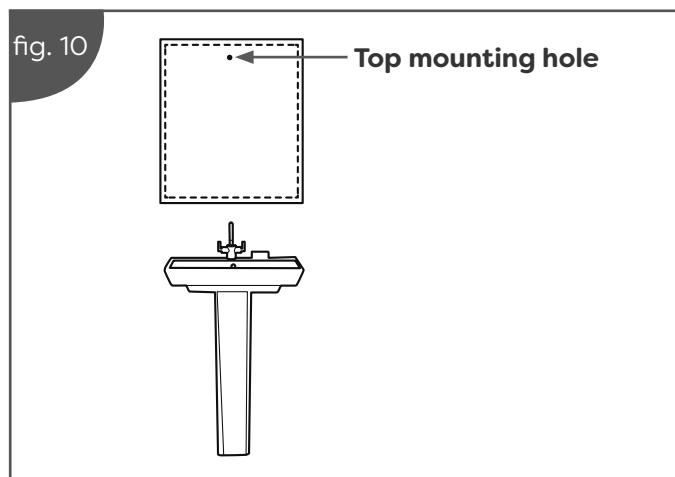
## SECTION 3 - MOUNTING THE CABINET

### TOOLS REQUIRED



**10.** Place the cabinet in the desired position on the wall and mark the position of the top mounting hole.

(See Fig. 10)



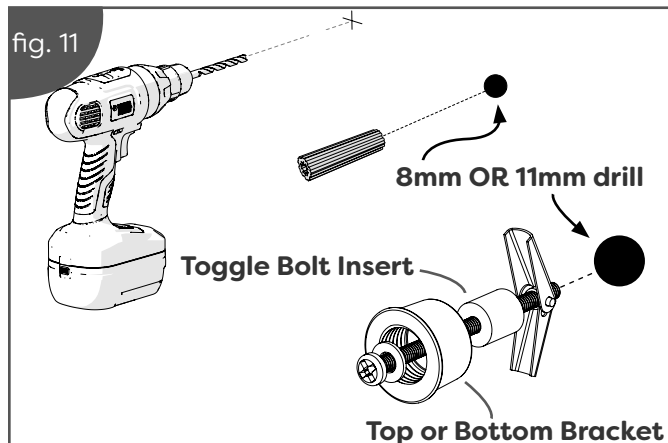
**11. For solid walls** drill an 8mm hole in the marked position. Then insert the wall plug **flush** to the surface of the wall. If fitting to a tiled surface, the wall plug should be inserted **below the surface** of the tile to avoid cracking.

#### IMPORTANT!

If the wall plugs are not inserted flush with the wall surface, the O-ring will not contact the wall correctly. This will prevent the bracket from functioning properly.

(See Fig. 11)

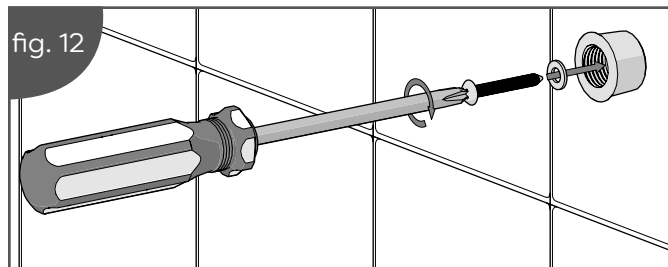
**For cavity walls** drill an 11mm diameter hole and assemble the top bracket and metal washer onto the toggle bolt as shown, ensure the 11mm diameter toggle bolt insert is pushed into the hole in the plaster board wall for maximum strength. (See Fig. 11)



**12.** Fasten the top bracket to the wall **ensuring** the O-ring is correctly seated at the back of the bracket. **DO NOT OVERTIGHTEN!** This image shows solid wall installation.

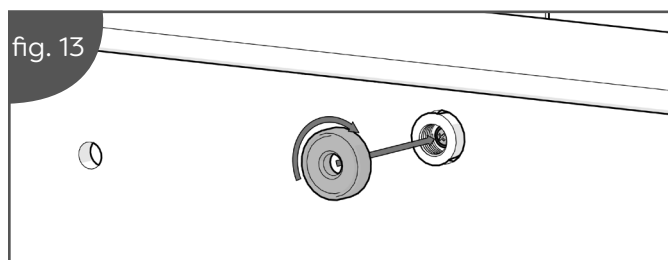
**IMPORTANT:** The top bracket has a smaller diameter outer flange to the bottom bracket.

(See Fig. 12)

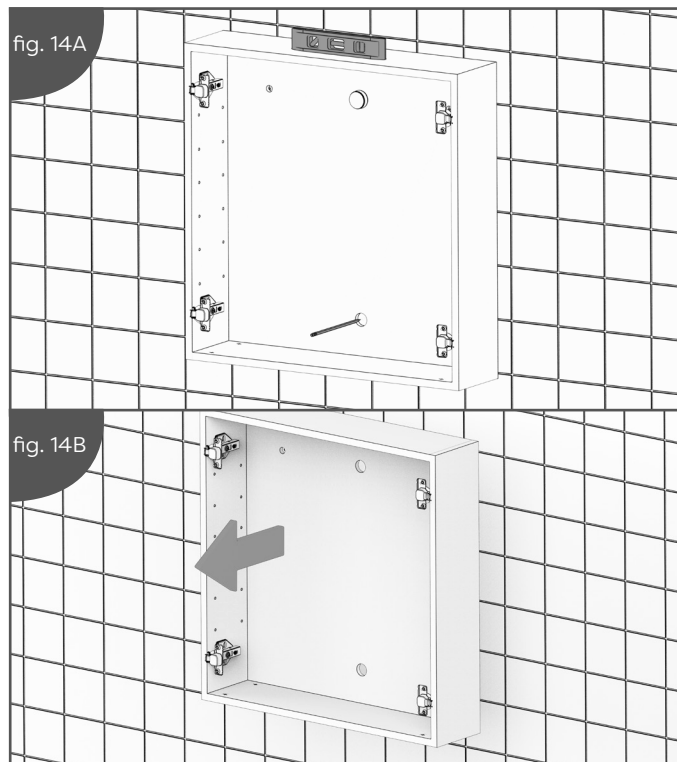


**13.** Hang the cabinet onto the top wall bracket and secure in place by screwing the locking cap onto the top bracket.

(See Fig. 13)



**14.** Using a spirit level, adjust the cabinet so that it is level. Once level, accurately mark a hole in the centre of the bottom fixing hole. Then unscrew the top bracket and remove the cabinet from the wall to avoid debris from drilling getting into the cabinet. **(See Fig. 14A & 14B)**



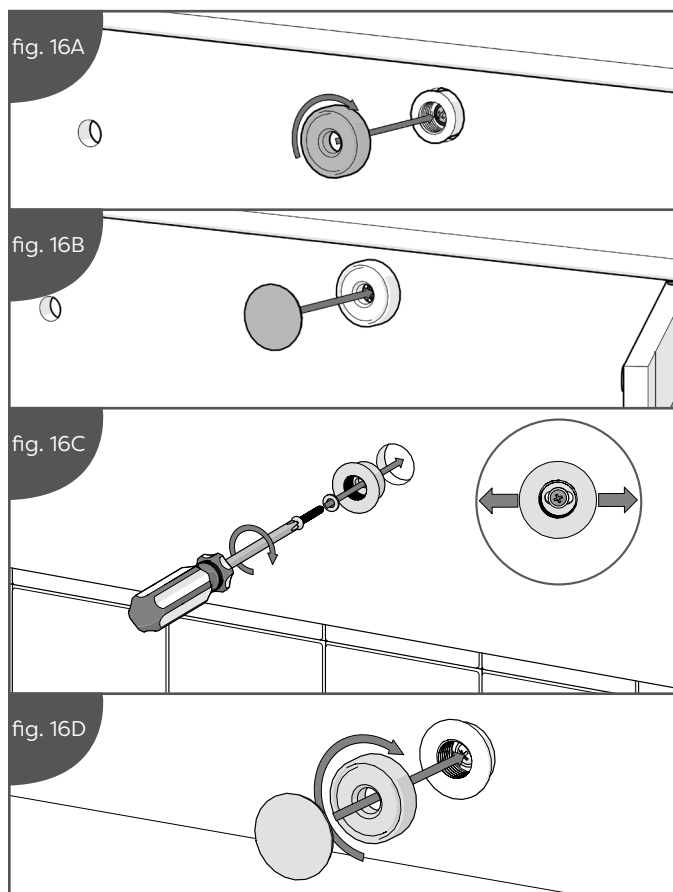
**15. For solid walls** drill an 8mm hole in the marked position. Then insert the wall plug **flush** to the surface of the wall. If fitting to a tiled surface, the wall plug should be inserted **below the surface** of the tile to avoid cracking.

**IMPORTANT!**

If the wall plugs are not inserted flush with the wall surface, the O-ring will not contact the wall correctly. This will prevent the bracket from functioning properly. **(See Fig. 11)**

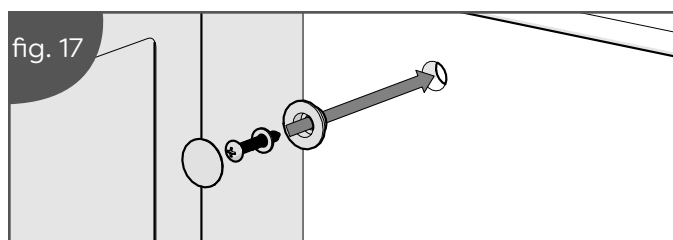
**For cavity walls** drill an 11mm diameter hole and assemble the bottom bracket and metal washer onto the toggle bolt as shown. Ensure the 11mm diameter toggle bolt insert is pushed into the hole in the plaster board wall for maximum strength. **(See Fig. 11)**

**16.** Rehang the cabinet then reinstall the top locking cap and cover. Screw the bottom bracket in position and level the cabinet. To adjust, loosen the screw, the slot will allow for adjustment to level the cabinet. Then re-tighten the screw. Then screw the bottom locking cap into place and fit the cover. **(See Fig. 16A, 16B, 16C & 16D)** **Note: Image 16C shows a solid wall fixing installation.**

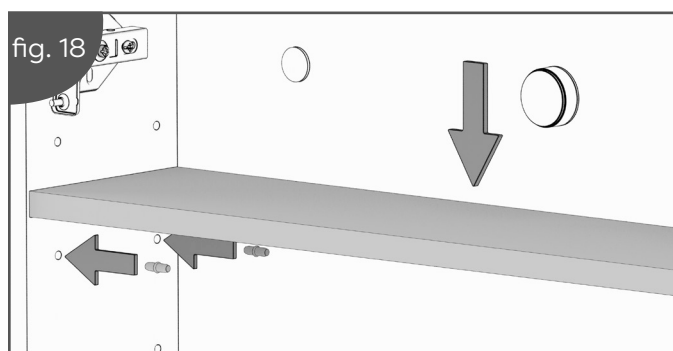


**17.** Additional top fixings are supplied if required and these can be fixed with wall plugs or toggle bolts. If you are not using the additional top fixings, insert two hole blanking caps to blank off the holes.

**Note: Image shows a solid wall fixing installation. (See Fig. 17)**



**18.** Insert shelf supports (L) and the shelves (K) into the desired positions. **(See Fig. 18)**



# SECTION 4 - CABINET DOOR ADJUSTMENT

