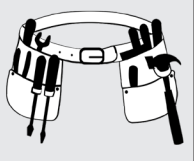
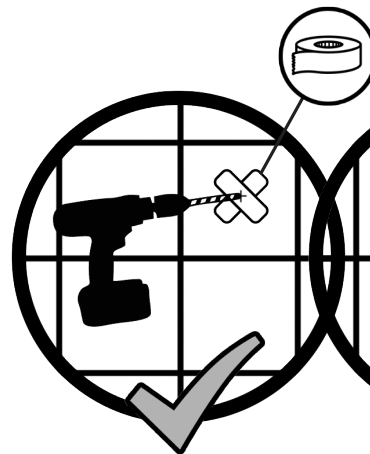
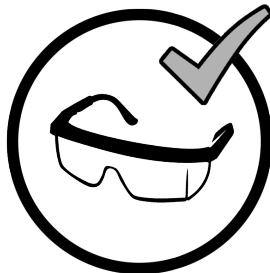


HxWxD (cm)
WC147169E 70 x 34.5 x 16.5



EN. Please read the information sheet before proceeding.



Croydex, Central Way, Andover, Hampshire, SP10 5AW, UK

+44 (0) 1264 365881

+44 (0) 1264 356437

info@croydex.co.uk

www.croydex.com

CAB 117 R02



For reference only



Parts may vary.
(Optional)



Warning! Please take special care.

Please read all of the information carefully and refer back when you see the numbered icons throughout instructions.

Safety and Care **(EN)**

- 1** Always take care when using power tools, particularly if there is any water in the working area.
- 2** Do not use power tools for assembling or fitting the cabinet including power drills and power screwdrivers.
- 3** The wall plugs supplied are for use on solid walls only. For cavity walls or plasterboard use specialist fixings that are suitable for the type of wall construction.
- 4** To retain the best quality finish, clean product regularly with a soft damp cloth.
- 5** Do not use abrasive or chemical cleaners, as these will damage the product.
- 6** The max load of the cabinet is 10kg when fitted to a solid wall and 5kg when fitted to a cavity wall.
- 7** When drilling into a tiled surface do not use a hammer drill.
- 8** Always use a drill bit that is suitable for the surface that is being drilled.
- 9** Do not slam the door open, as this may damage the hinge.



Important Installation Information

THIS IS A CLASS 1 APPLIANCE AND MUST BE CONNECTED TO EARTH 

INPUT: 220-240V ac 5A IP RATING: IP44

HAZARDOUS VOLTAGES INSIDE – DO NOT REMOVE ANY COVERS

LAMP TYPE LED

In accordance with Statutory Instrument 2004 No. 3210 - The Building (Amendment) (No.3) Regulations 2004, any work, other than repair/replacements, in a room where there is water (e.g. kitchen, bathroom, etc.) must be either:

- carried out by an electrician who is a member of a competent person self-certification scheme who will certify the work complies with the Building Regulations and you do not need to notify your local authority, or,
- carried out after prior notification to the Local Authority Building Control Department, which has responsibility for ensuring that the work is inspected and tested.

IMPORTANT WARRANTY INFORMATION

In accordance with Statutory Instrument 2004 No. 3210 - The Building (Amendment) (No.3) Regulations 2004, the installer must give the occupier of the premises in which this product has been installed a certificate to confirm that the requirements of regulations 4 and 7 have been satisfied, or the installation of this product must be inspected and tested by the Local Authority Building Control Department who will issue a compliance certificate.

A copy of this certificate may be required for certain warranty claims. Failure to provide a copy of the certificate may invalidate the warranty.

This does not affect your statutory rights

We recommend that you make yourself aware of the Regulations before you undertake any work and if you require clarification you should contact your Local Authority Building Control Department.



Croydex, Central Way, Andover,
Hampshire, SP10 5AW, UK



+44 (0) 1264 365881



+44 (0) 1264 356437



info@croydex.co.uk



www.croydex.com

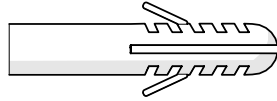
CAB 117 R02



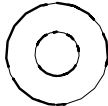
(a) x6



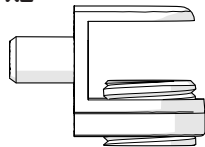
(b) x6



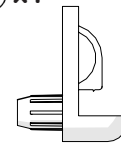
(c) x4



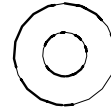
(d) x2



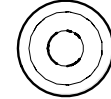
(e) x4



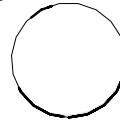
(f) x2



(g) x2



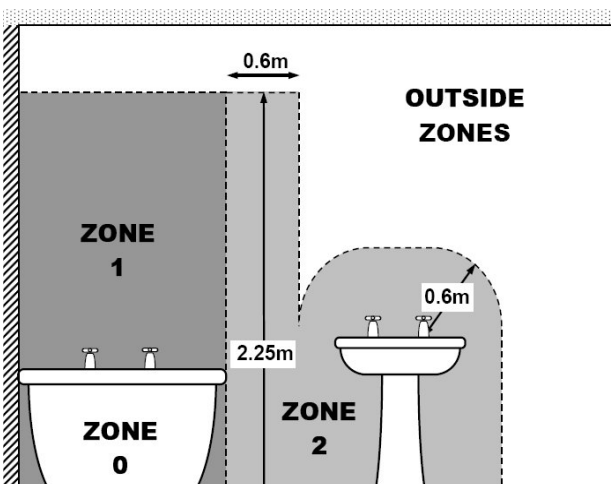
(h) x2



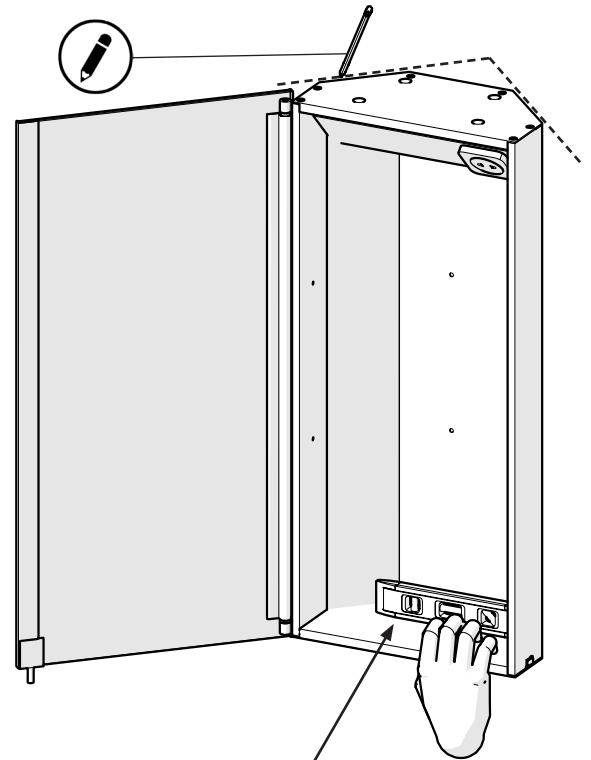
1.

This cabinet is rated IP44 and must only be installed with all electrical connections and components in the Outside Zone, shown below.

Ensure that the access to the domestic mains electrical supply is located behind the intended mounting position for the cabinet.



2.



Ensure that the cabinet is level.



4.

Croydex, Central Way, Andover, Hampshire, SP10 5AW, UK

+44 (0) 1264 365881

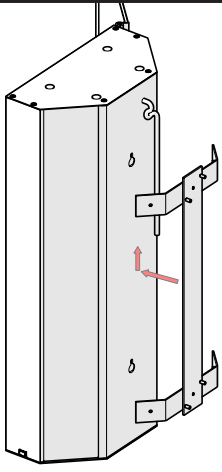
+44 (0) 1264 356437

info@croydex.co.uk

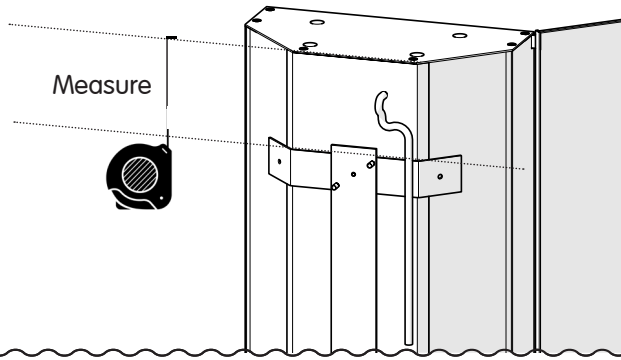
www.croydex.com

CAB 117 R02

3.

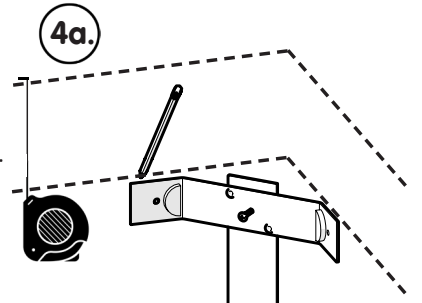


Ensure bracket is fully inserted into the 'key hole' slot.

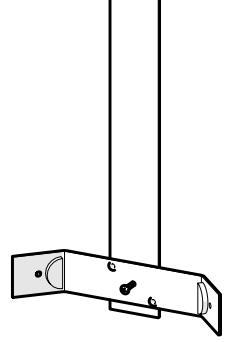
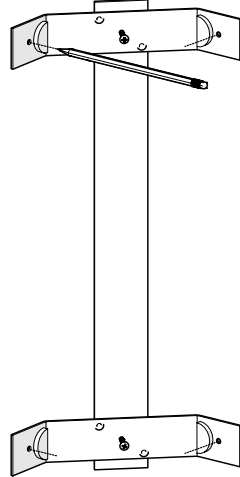


4.

Use measurement from previous step.



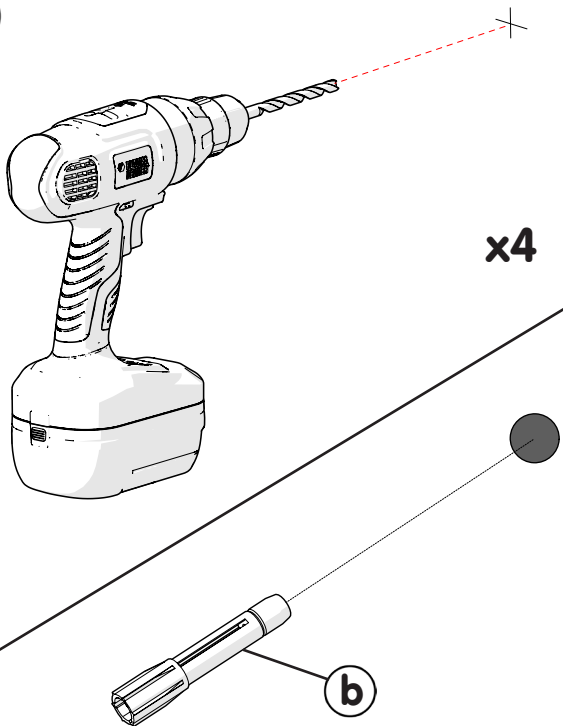
4b.



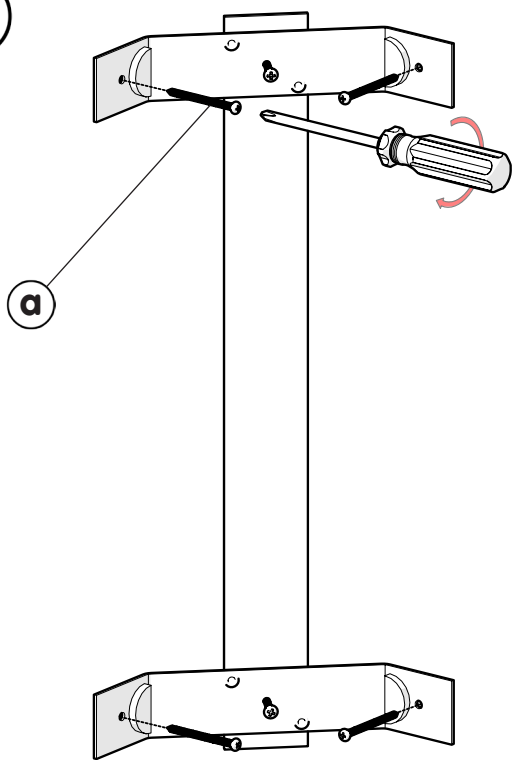
Ensure that the bracket is level.



5.



6.



5.

Croydex, Central Way, Andover, Hampshire, SP10 5AW, UK

+44 (0) 1264 356437

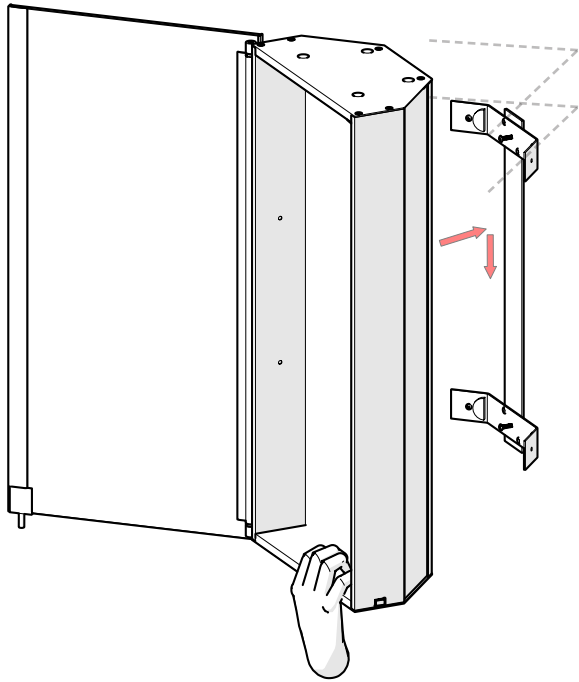
www.croydex.com

+44 (0) 1264 365881

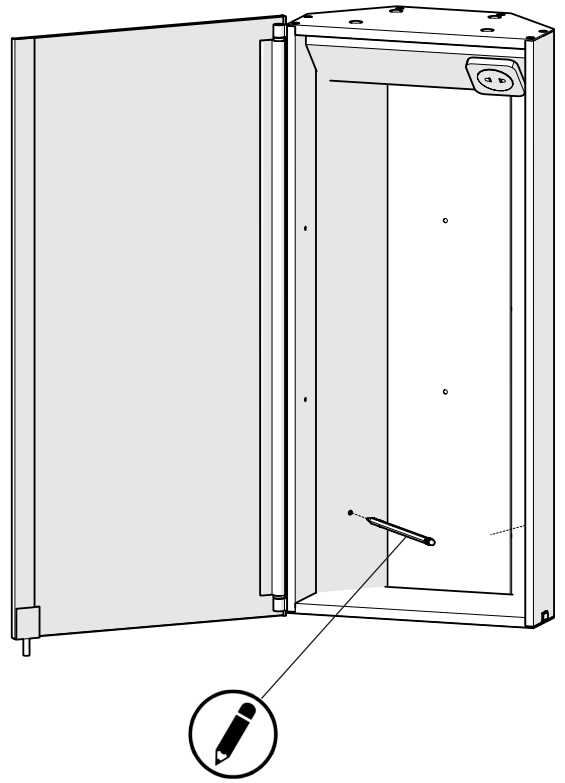
info@croydex.co.uk

CAB 117 R02

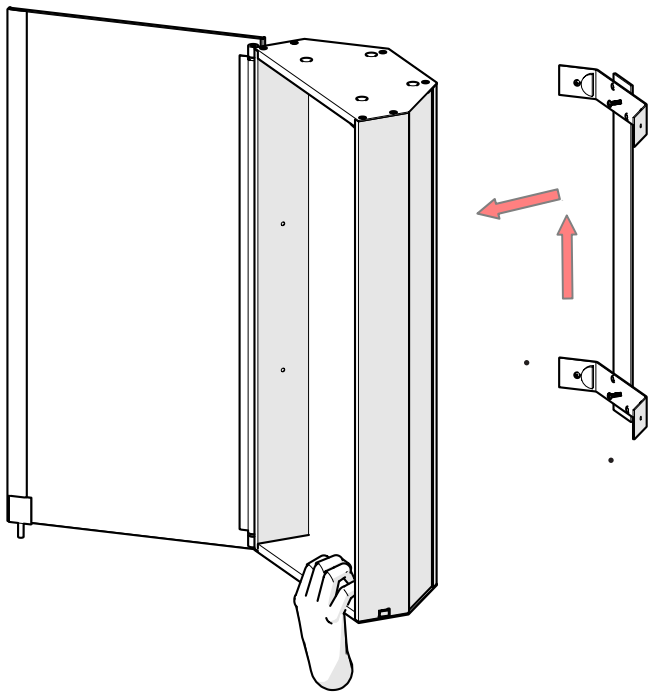
7.



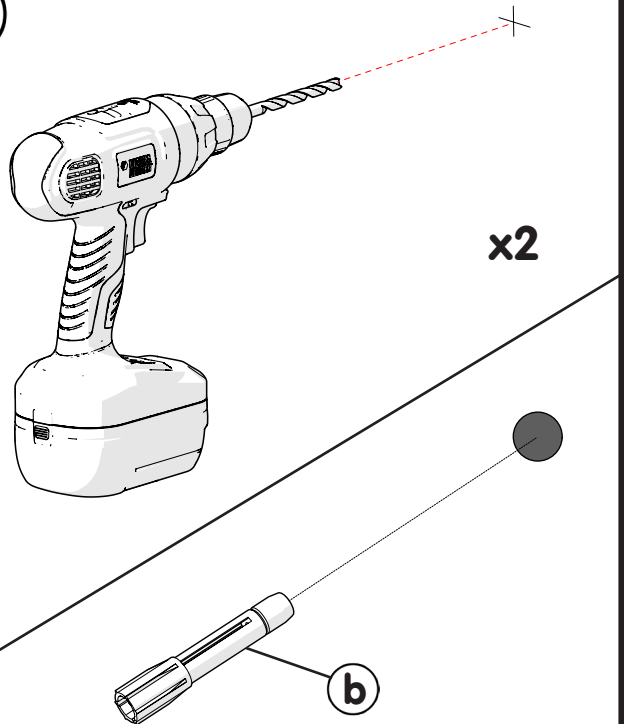
8.





9.





10.



6.

 Croydex, Central Way, Andover,
Hampshire, SP10 5AW, UK
 +44 (0) 1264 365881

 +44 (0) 1264 356437
 info@croydex.co.uk

 www.croydex.com

CAB 117 R02

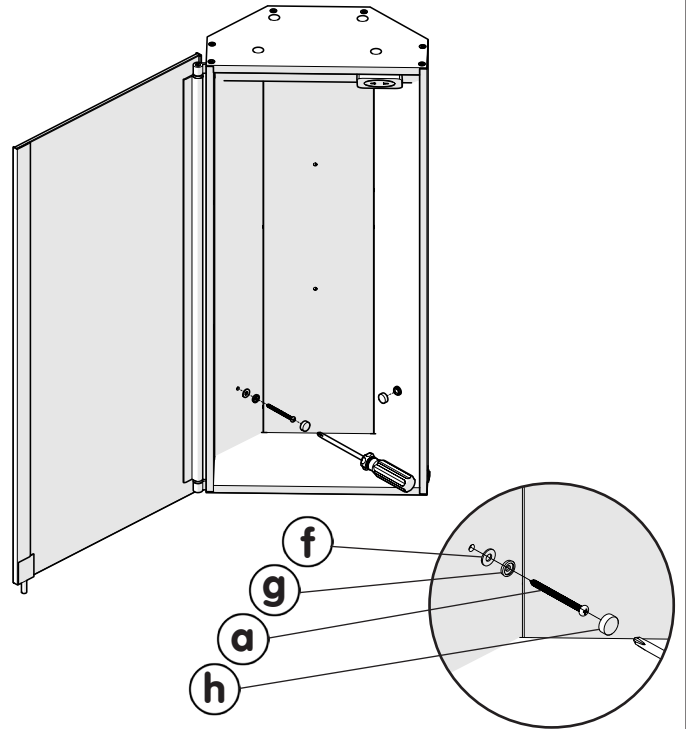


11. Connecting Electricity

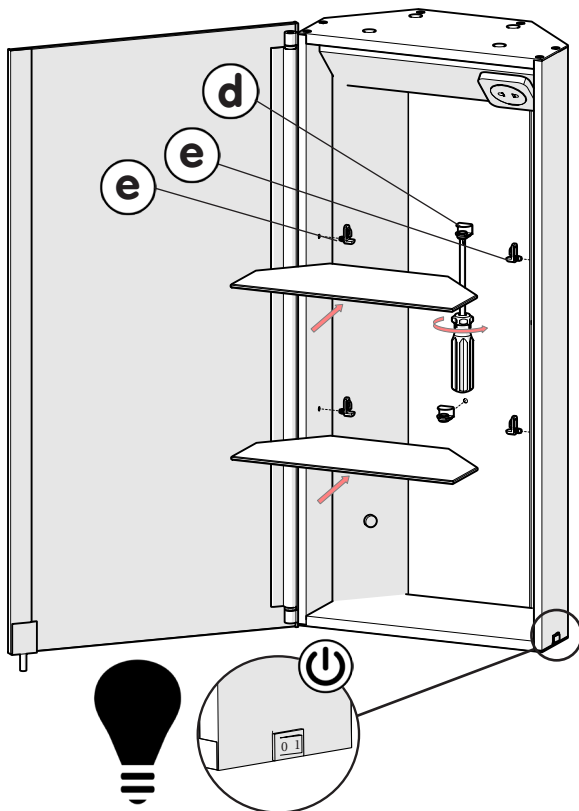
Ensure that the domestic electrical mains supply to which the cabinet is to be connected is turned off. Connect the flexible mains supply cable on the back of the cabinet to the domestic electrical mains supply ensuring that the Live (Brown) conductor is connected to the Live on the domestic electrical mains supply, the Neutral (Blue) conductor is connected to the Neutral on the domestic electrical mains supply and the Earth (Yellow/Green) conductor is connected to the Earth/Ground on the domestic electrical mains supply.

Note: connection of the product to the domestic electrical mains supply must only be carried out by a Building Regulations Part P certified electrician or must be checked by your Local Authority Building Control Department.

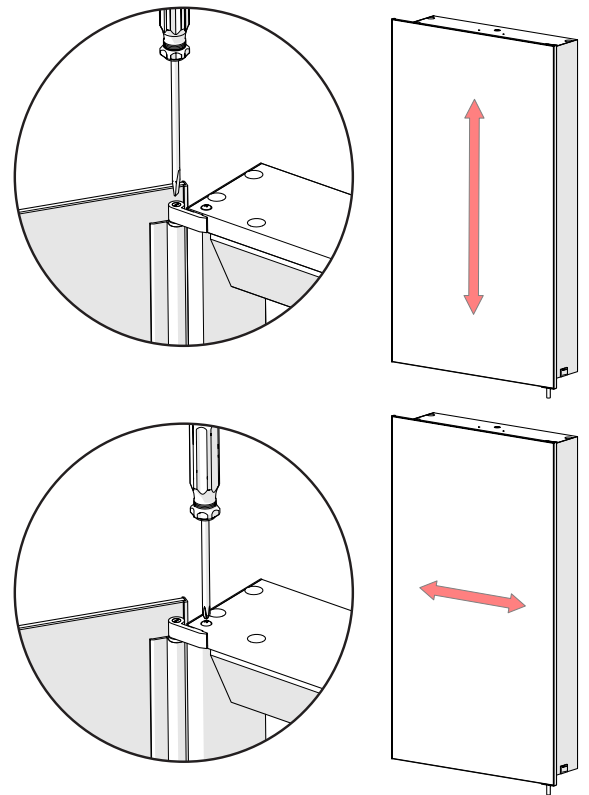
12. Place cabinet onto bracket.



13.





14.



7.

 Croydex, Central Way, Andover, Hampshire, SP10 5AW, UK

 +44 (0) 1264 365881

 +44 (0) 1264 356437

 info@croydex.co.uk

 www.croydex.com

CAB 117 R02

Check out our full range of Bathroom Furniture

Wide Range of Colours

White Bathroom Furniture / White Gloss Bathroom Furniture

Grey Bathroom Furniture

Black Bathroom Furniture

Walnut Bathroom Furniture

Wide Range of Styles

Bathroom Vanity Units

Bathroom Cabinets

Basin & Toilet Furniture Units

Traditional Bathroom Furniture

Bathroom Drawers

Tall Bathroom Units

Radiator Covers / Radiator Cabinets

plumbworld
Big brands, small prices.