

Hook Over Door Double Storage Basket

Thank you for purchasing this Croydex product. Please follow the fixing and care instructions to ensure your Hook Over Door Double Storage Basket is fitted safely and retains its high quality finish. Please retain this leaflet for future reference.

This installation guide applies to the following product:

QM261241 Hook Over Door Double Storage Basket with Rust Free Chrome

Home Safety Advice

- Do not strike the product with hard or sharp objects.
- Do not use the product as a grab rail.
- The adhesive pad (optional) is suitable for use on most flat, finished surfaces, such as gloss paint, tiles, polished stone, laminates and mildly textured surfaces.
- The adhesive pad (optional) is not suitable for use on unfinished material, such as brick, blockwork and loose, flaky surfaces.
- Do not use the adhesive pad (optional) on decorative wall paper finishes as these will be damaged on removal.
- Do not overload the storage baskets - maximum weight per basket 2kg (4.5lbs) evenly distributed.
- Do not use to store glass or breakable items.
- Do not position pad over uneven grout lines.

Product Care

- To retain the best quality finish, clean product regularly with a soft cloth and mild detergents.
- Do not use abrasive or chemical cleaners as these may damage the product.
- Spray cleaning liquids onto the cloth and not directly onto the product.

Fitting instruction - Hook over door

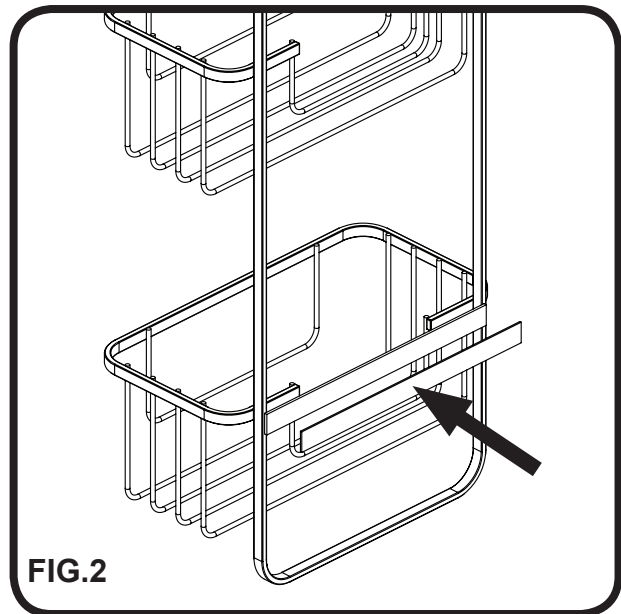
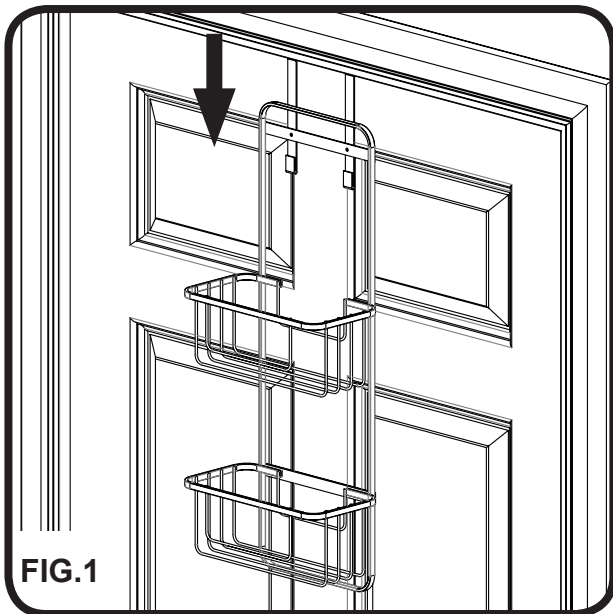
1. Determine desired location for the storage basket on the door.
2. Hang the two hooks supplied onto the door. **See Fig.1** (Note: For a more permanent fixing the over door hooks can be screwed directly into the top of the door using countersink wood screws. Countersink wood screws are NOT provided.)
3. Hang the storage basket onto the hooks to complete the assembly. (In order to provide a more secure fixing and to prevent the storage basket levering away from the door an optional adhesive pad can be fitted to the base of the storage basket - **See Fig.2**)

Fitting instruction - Screw to wall

1. Determine desired location for the storage basket on the wall surface.
2. With a pencil mark through the holes in the frame, ensuring the storage basket is level.
3. Using suitable wall fixings (NOT SUPPLIED) that are compatible with your wall surface, drill and secure the storage basket into position to complete the assembly.

Please refer to the following safety advice if securing this product directly onto a wall surface.

1. *Always check for hidden cables and pipework before drilling and take extreme care if there is any water in the working area.*
2. *It is advisable to use a residual current circuit breaker (RCCB)*
3. *Always wear suitable eye protection when drilling.*



5-year Anti-corrosion Guarantee

This product is guaranteed against corrosion for 5 years. Please retain a copy of your receipt which must be presented should a guarantee claim be necessary.

This guarantee covers corrosion under normal usage, when the product is installed, used and cleaned in accordance with these instructions. This guarantee does not cover corrosion resulting from damage to the protective coating due to the use of abrasive sponges or pads, abrasive cleaners, strong chemical cleaners or metal polish. In the unlikely event that corrosion should occur during the guarantee period we will replace the product.

For details of the other items in the Croydex range please visit our website: www.croydex.com

Croydex Limited, Central Way, Andover, Hampshire, SP10 5AW, UK
Tel: +44 (0) 1264 365881 Fax: +44 (0) 1264 356437
E-mail: info@croydex.co.uk