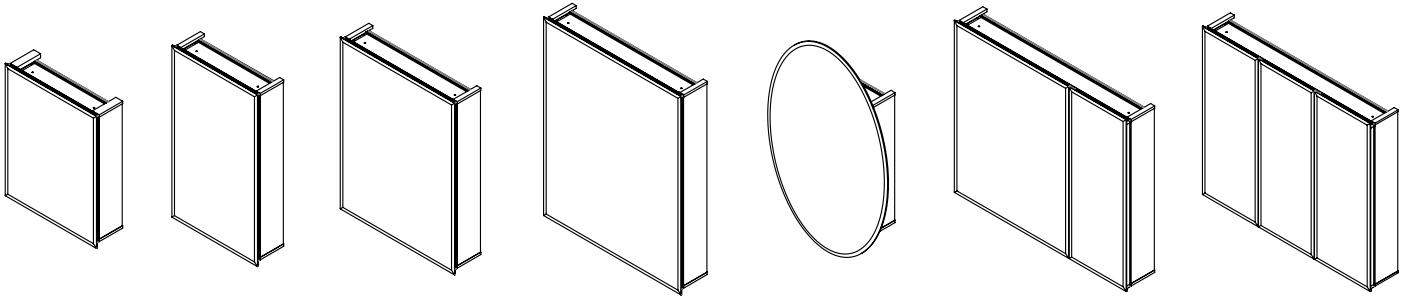


Aluminium Cabinet



Thank you for purchasing this Croydex product. Please follow the fixing and care instructions to ensure your aluminium cabinet is fitted safely and retains its high quality finish. Please retain this leaflet for future reference.

This installation guide applies to the following cabinets:

- WC101169 - Aluminium Recessed & Surface Mounted Cabinet 405mm x 510mm (16" x 20")
- WC101269 - Aluminium Recessed & Surface Mounted Cabinet 380mm x 660mm (15" x 26")
- WC101369 - Aluminium Recessed & Surface Mounted Cabinet 510mm x 660mm (20" x 26")
- WC101469 - Aluminium Recessed & Surface Mounted Cabinet 610mm x 760mm (24" x 30")
- WC101569 - Aluminium Recessed & Surface Mounted Oval Cabinet 535mm x 785mm (21" x 31")
- WC101669 - Aluminium Recessed & Surface Mounted Bi-View Cabinet 760mm x 660mm (30" x 26")
- WC101769 - Aluminium Recessed & Surface Mounted Tri-View Cabinet 610mm x 660mm (24" x 26")
- WC101869 - Aluminium Recessed & Surface Mounted Tri-View Cabinet 760mm x 660mm (30" x 26")
- WC101969 - Aluminium Recessed & Surface Mounted Tri-View Cabinet 914mm x 660mm (36" x 26")
- WC102069 - Aluminium Recessed & Surface Mounted Bi-View Cabinet 610mm x 660mm (24" x 26")

Tools required - not supplied

SURFACE MOUNTED

Pencil; Tape Measure; Philips Screwdriver; Flat Head Screwdriver; Spanner / Wrench 7mm (9/32"); Drill; 8mm (5/16") Drill Bit, 11mm (7/16") Drill Bit; (Ceramic drill bit optional).

RECESSED MOUNTED

Pencil; Tape Measure; Spirit Level; Hole Saw; Saw; Screwdriver; Stud and Power Cable Detector.

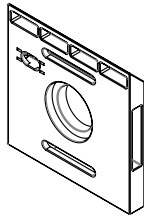
KEEP DIY TOOLS OUT OF THE REACH OF CHILDREN

Home Safety Advice

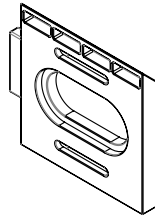
- It is recommended that two people fit this product to ensure that it is fitted safely.
- Always take care when using power tools, particularly in the bathroom.
- Always check for hidden cables and pipework before drilling and take extreme care if there is any water in the working area.
- It is advisable to use a residual current circuit breaker (RCCB).
- Always wear suitable eye protection when drilling.
- If the product is to be fitted on a ceramic tiled wall, a ceramic drill bit should be used.
- Always ensure that the drill hole passes through the central tiled area rather than through the grouted area. To prevent damage to the tile, mask the area around the hole with tape before drilling.
- Do not strike the product with hard or sharp objects.

Product Care

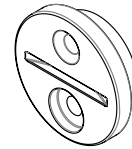
To retain the best quality finish, clean product regularly with a soft damp cloth. Do not use abrasive or chemical cleaners as these will damage the product.



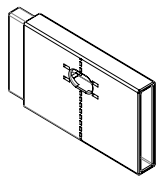
A. Hang 'N' Lock Bracket x 1



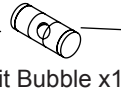
B. Hang 'N' Lock Bracket x 1



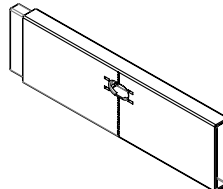
C. Hang 'N' Lock Cam x 2



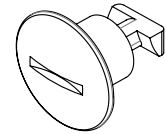
D. Hang 'N' Lock Spacer (Small) x 1



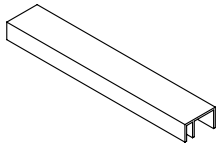
Spirit Bubble x1



E. Hang 'N' Lock Spacer x 1 (2) (3)



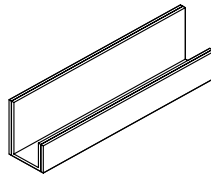
F. Hang 'N' Lock Locking Stud x 2



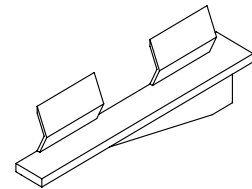
G. Mirror Bracket x 4



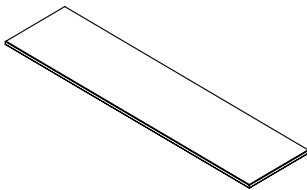
H. Mirror Glass x 2



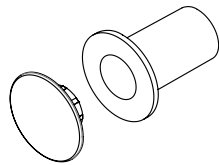
I. Mirror Glass Spacer x 4



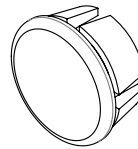
J. Glass Shelf Bracket x 4 (10) (18)



K. Glass Shelf x 2 (5) (9)



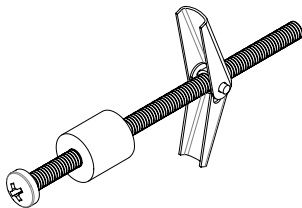
L. Plastic Collet & Cap x 2



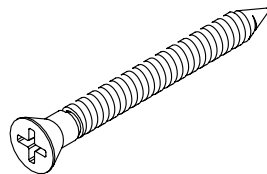
M. Hole Cap (Large) x 4



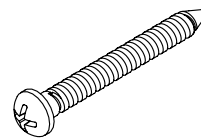
N. Hole Cap (Small) x 8



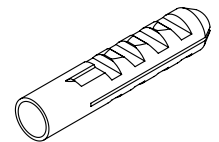
O. Toggle Bolts x 2



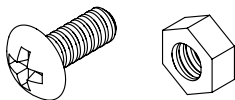
P. Countersink Fixing Screws x 2



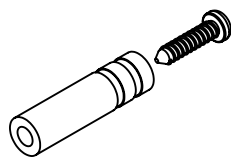
Q. Dome Head Fixing Screw x 4



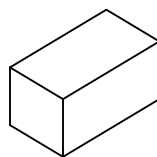
R. Wall Plugs x 4



S. Mirror Bracket Bolt & Nut x 8



T. Handle x 1 (2) (3)



U. Foam Pad x 2

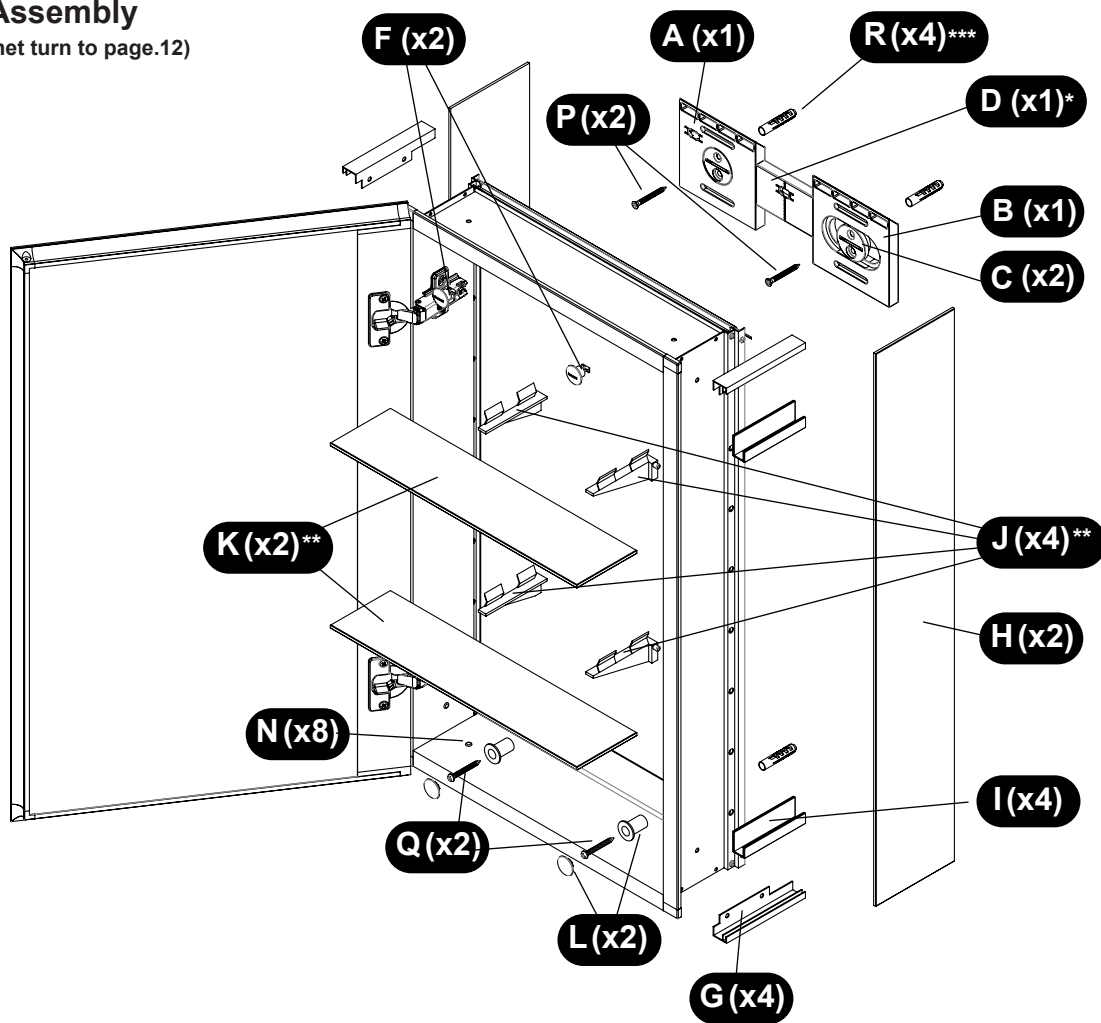


V. Spacer Extrusion x 2

Note: Pack contents will vary depending on cabinet design.

Surface Mounting Assembly

(If recess mounting the cabinet turn to page.12)



EN Hang 'N' Lock Spacer (E) , Hole Cap (Large) (M), Toggle bolts (O), Mirror Bracket Bolt & Nut (S) are not shown in the above diagram.

* The Hang 'N' Lock small spacer (D) is used on the Hang 'N' Lock configurations for the following cabinets:
WC101169, WC101269, WC101369, WC101569

* The Hang 'N' Lock spacer (E) is not shown, but used on the Hang 'N' Lock configurations for the following cabinets:
WC101369, WC101469, WC101669, WC101769, WC101869, WC101969, WC102069.

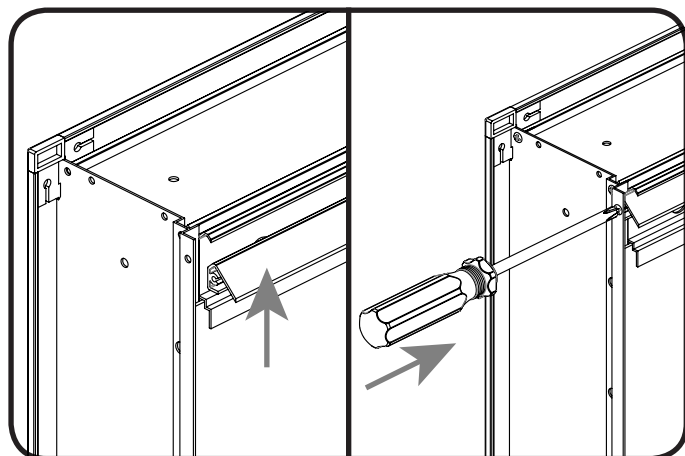
** 10 glass shelf bracket (J) and 5 glass shelves (K) are supplied with the **WC101669 & WC102069 Bi-View Cabinet.**

18 glass shelf bracket (J) and 9 glass shelves (K) are supplied with the **WC101769, WC101869 & WC101969 Tri-View Cabinet.**

*** Only 2 wall plugs (R) are required for the plastic collets (L) if the Hang 'N' Lock bracket is fixed to the wall surface using the toggle bolts (O).

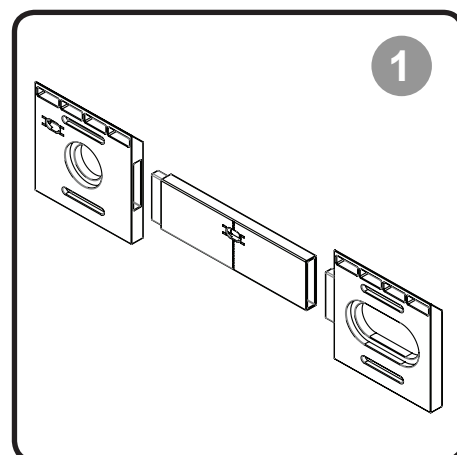
Pre-installation guide for surface mounting the cabinet

- EN** If the cabinet is to be surface mounted it is imperative that the 45 degree hanging profile is fitted to the cabinet prior to installation. Insert the 45 degree profile into the top of the cabinet and secure into position from each side of the cabinet.

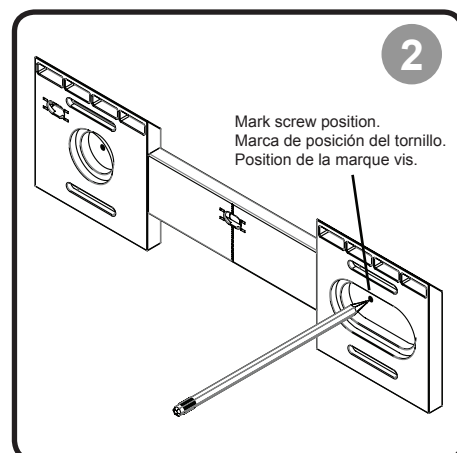


Installation Guide - Surface mounting the cabinet

- EN** Position and tape the cabinet template in the desired location. Assemble the Hang 'N' Lock bracket sections making sure all parts are slotted tightly together. Align the Hang 'N' Lock bracket with reference points A & B specified on the template.

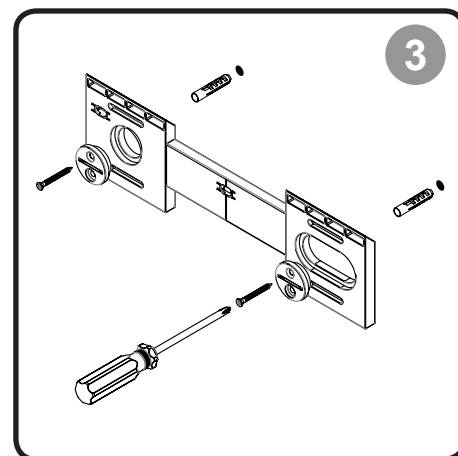


- EN** Once the bracket is assembled hold it against the wall surface where you intend to hang the product. Using a pencil, mark the screw hole positions through the template in each cam recess. Remove the template and Hang 'N' Lock bracket from the wall surface prior to drilling.



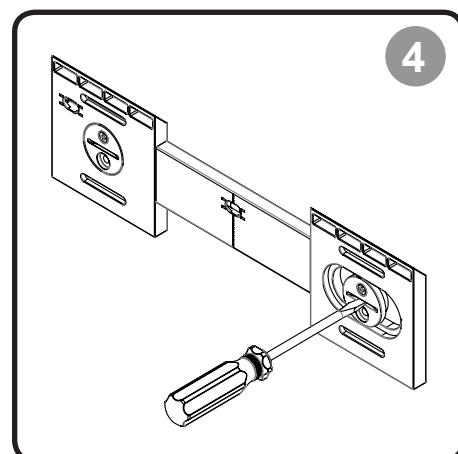
Fitting Hang 'N' Lock with countersink screws

- EN** Drill the marked holes to a depth of 45mm (1 ¾"). Insert the wall plugs level with the surface of the wall. (Note: if you are fitting the product to a tiled surface, insert the wall plugs below the surface of the tile to avoid cracking, the tile) Insert the countersink screws through the Hang 'N' Lock cams and loosely secure the Hang 'N' Lock bracket to the wall.

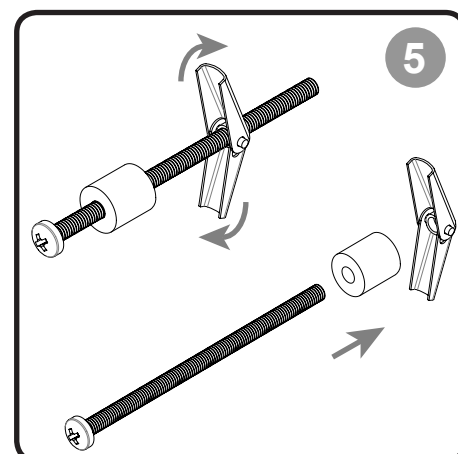


- EN** With the Hang 'N' Lock bracket loosely attached to the wall, adjust for height and level by rotating the cams with a coin or flat head screwdriver, then fully tighten the mounting screws using a philips screwdriver, to securely fix the bracket into position.

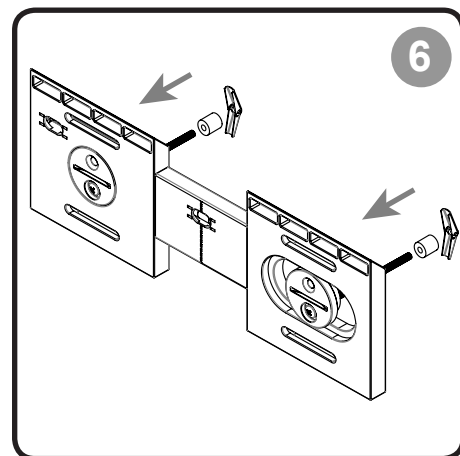
Turn to page 9 to continue installation.



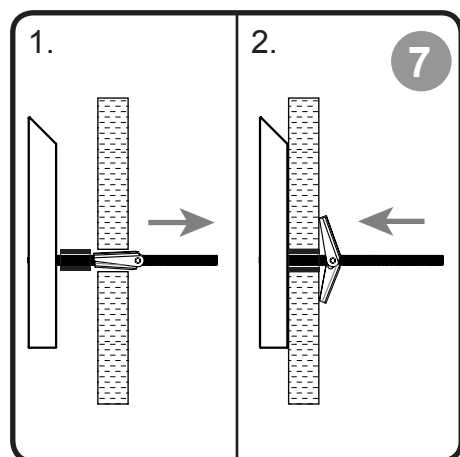
Fitting Hang 'N' Lock with toggle bolts



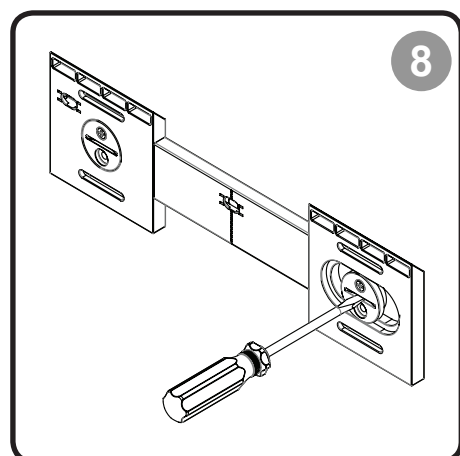
EN Drill the holes with an 11mm (7/16") drill bit. (Note: If you are fitting the product to a tiled surface, a ceramic drill bit should be used.) Insert the threaded bolt through the Hang 'N' Lock cams and reattach the plugs and spring loaded braces onto the bolts from the back of the Hang 'N' Lock bracket.



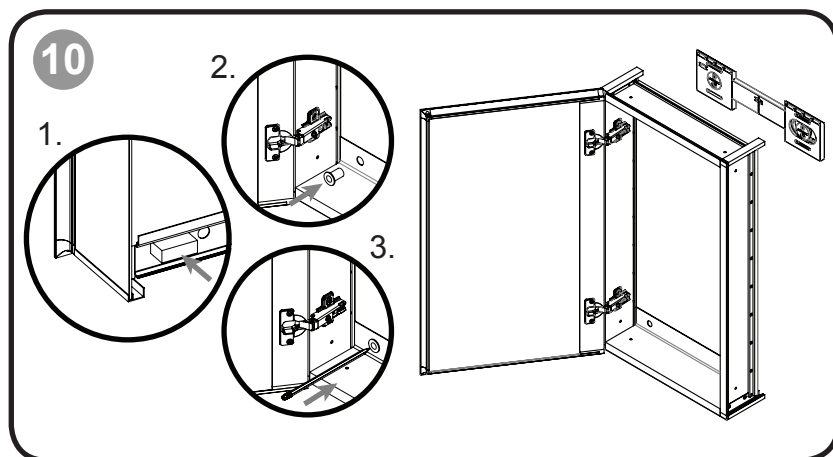
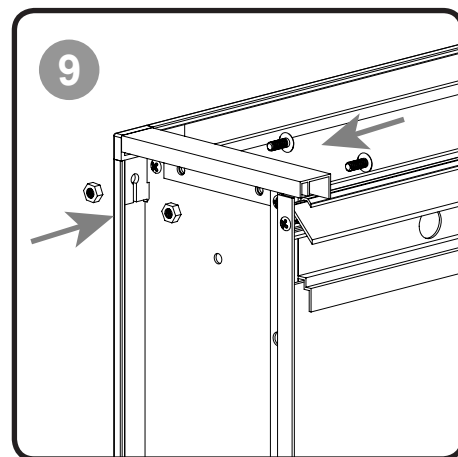
EN Push the spring loaded wall braces on the toggle bolts through the drilled holes (Note: Please ensure there is sufficient distance for the wall braces to pass through the drilled hole in order for them to spring open and support the weight of the cabinet when hung in position.) and loosely secure the Hang 'N' Lock bracket to the wall surface using a Philips screwdriver. Please ensure the plugs are pushed into the drilled hole to fill the void between the drilled holes and the toggle bolts.



EN With the Hang 'N' Lock bracket loosely attached to the wall, adjust for height and level by rotating the cams with a coin or flat head screwdriver, then fully tighten the mounting screws using a philips screwdriver, to securely fix the bracket into position.

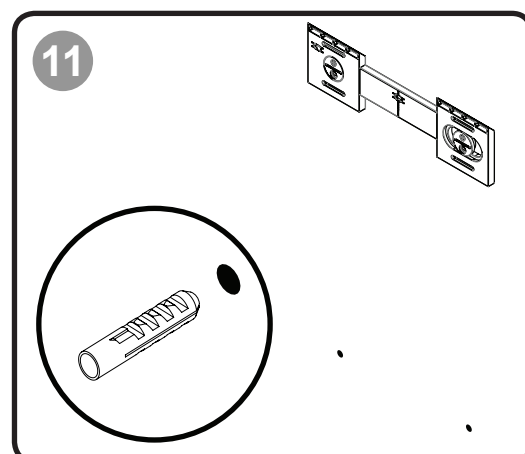


EN Use a philips screwdriver and wrench to fit the side mirror brackets onto the cabinet prior to hanging. Align the brackets with the corresponding holes on the cabinet and secure the brackets in position using the bolts and locking nuts provided.

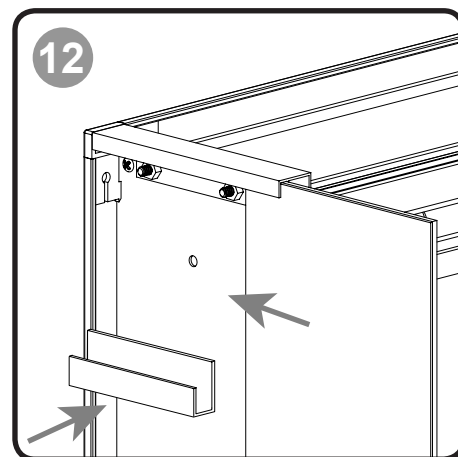


EN Stick the two foam pads (U) supplied onto the rear of the cabinet and locate them either side of the two large holes at the bottom of the cabinet. Re-hang the cabinet onto the Hang 'N' Lock bracket. When positioned in the ideal location, insert the two 2 plastic collets (removing the caps) into the two holes in the base of the cabinet and use these as a template to mark the hole positions on the wall surface.

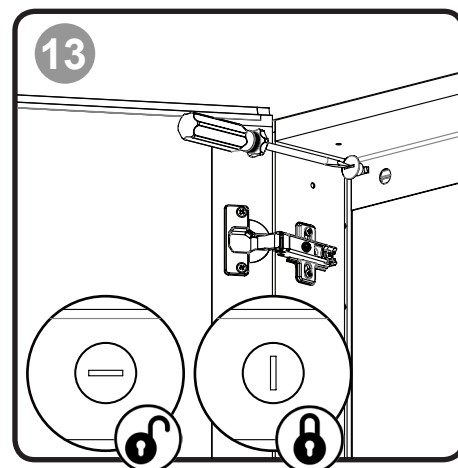
EN Remove the cabinet from the wall surface. Drill the marked holes to a depth of 45mm (1 3/4"). Insert the wall plugs level with the surface of the wall.



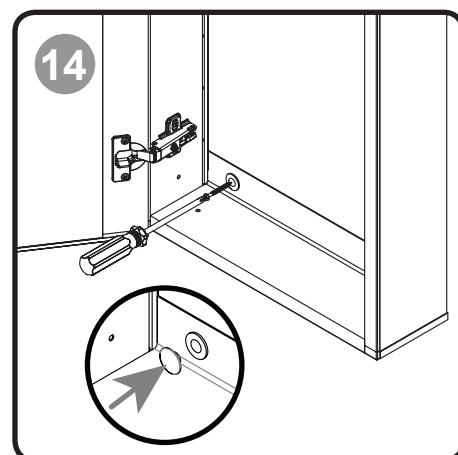
- EN** Remove the protective film on the mirror glass spacers to reveal the adhesive pads and locate in two positions on the sidewall of the cabinet (2 spacer per sidewall). Slide the mirror glass into the channels on the mirror brackets.



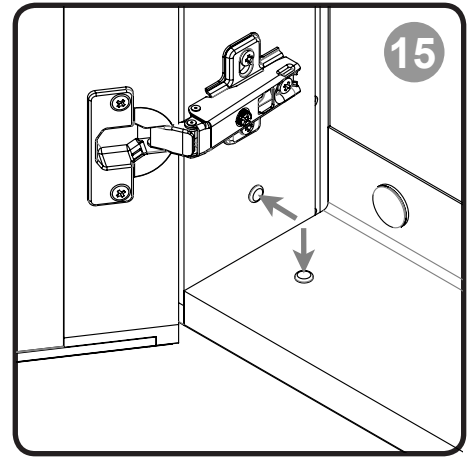
- EN** Re-fit the cabinet onto the Hang 'N' Lock bracket. Align the holes in the plastic collets with the drilled holes at the base of the cabinet, then secure in position by inserting the two locking studs through the holes inside the top of the cabinet. Rotate the studs 90 degrees clockwise to lock into position.



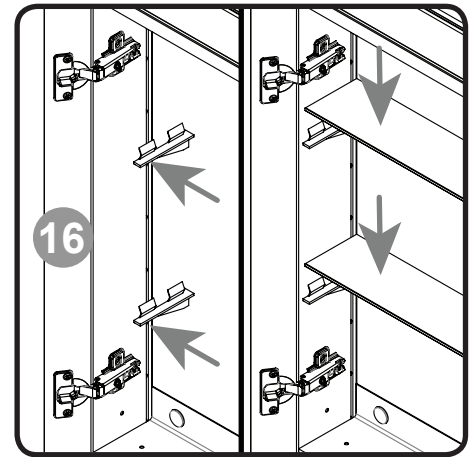
- EN** Insert the domed screws through the plastic collets and using a philips screwdriver secure the screws in position. **DO NOT OVERTIGHTEN.** Place the decorative caps over the plastic collets to conceal the screw fixings.



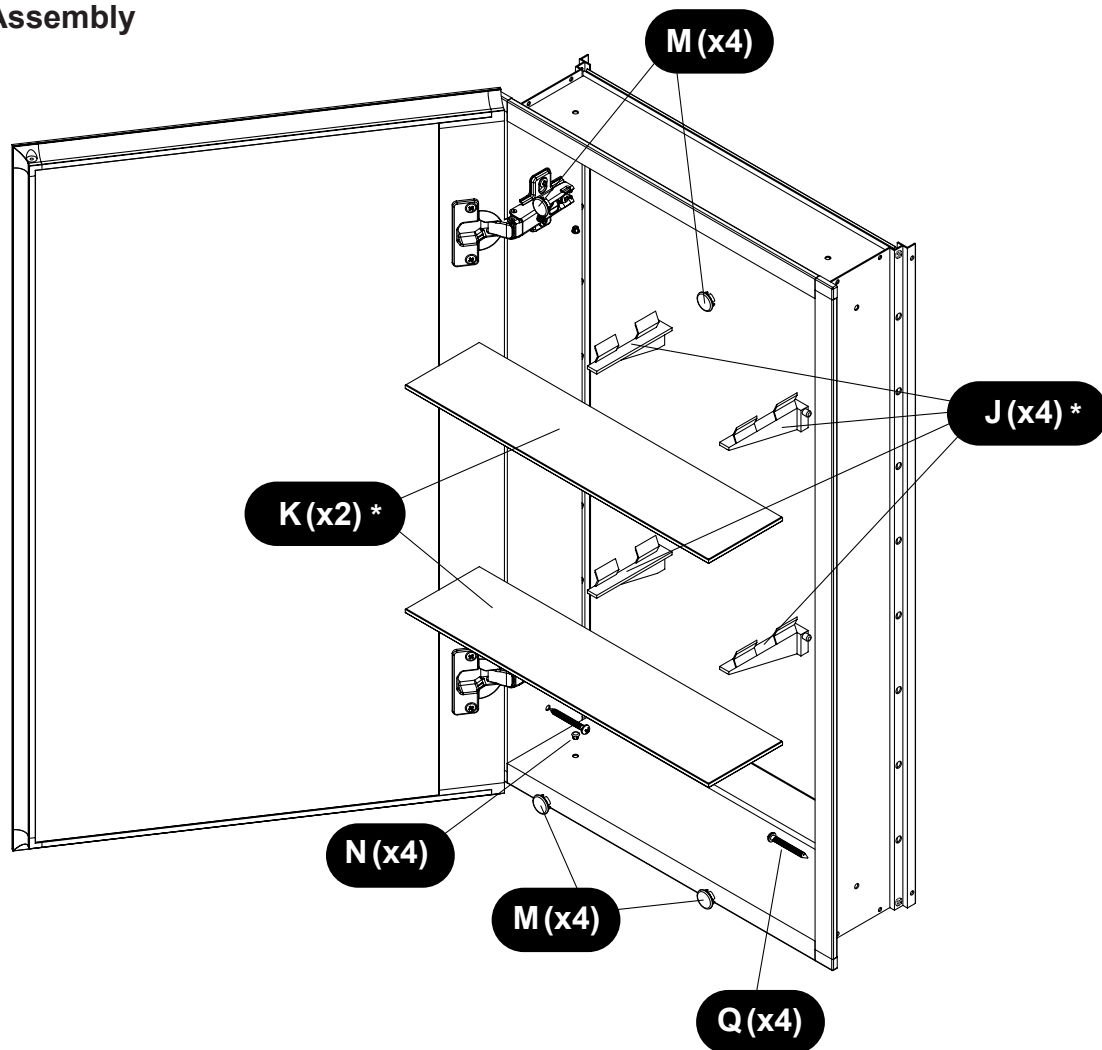
EN Once secured into position hide the unused recessed cabinet holes by using the small hole caps provided.



EN Locate the shelf brackets into the holes situated on the sidewall of the cabinet. Determine a suitable shelf position within the cabinet and press the brackets into place. Clip the glass shelves into the brackets to complete the cabinet assembly.



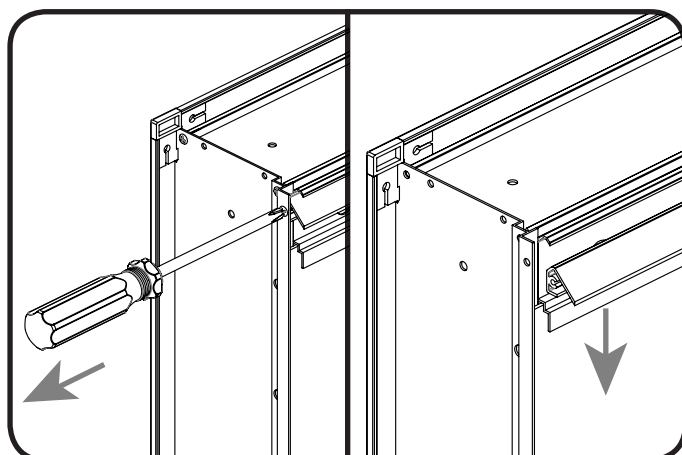
Recess Mounting Assembly



* 10 glass shelf bracket (J) and 5 glass shelves (K) are supplied with the WC101669 & WC102069 Bi-View Cabinet.
18 glass shelf bracket (J) and 9 glass shelves (K) are supplied with the WC101769, WC101869 & WC101969 Tri-View Cabinet.

Pre-installation guide for recess mounting the cabinet

EN If the cabinet is to be recessed mounted it is imperative that the 45 degree hanging profile is removed from the cabinet prior to installation. To remove the 45 degree profile unfasten the screws which secure the profile in position and remove from the cabinet



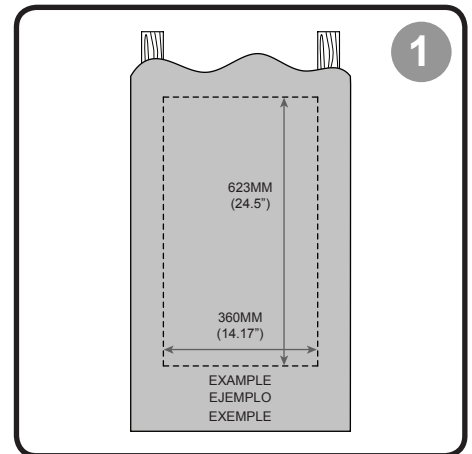
Installation Guide - Recess mounting the cabinet

EN Position and tape the cabinet template in the desired location ensuring the template is level.

Use a stud and cable detector to identify the location of wall studs and electric cables or cut a small hole within the boundary of the template to identify internal obstructions.

IMPORTANT: Before cutting it is imperative that no obstacles (plumbing or electrical fittings) are located behind the intended cutting area.

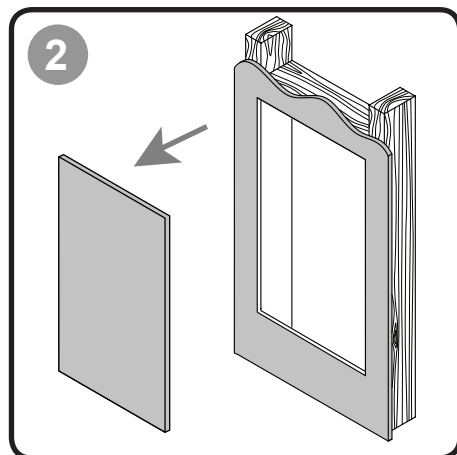
If needed relocate the template to avoid pipework or cables.



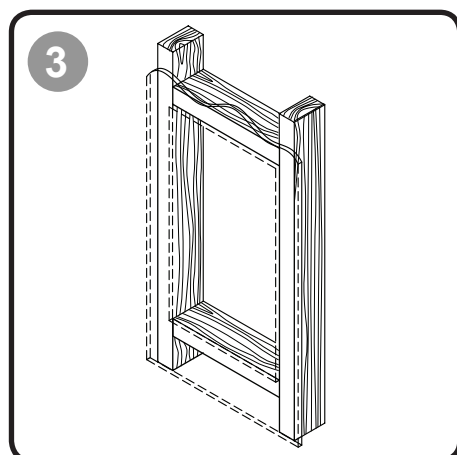
EN Using the dotted line printed on the template cut out the aperture for the cabinet.

Cutout sizes for reference are as follows:

- WC101169 Cabinet* - 360 mm (14.17") x 461 mm (18.15")
- WC101269 Cabinet* - 360 mm (14.17") x 623 mm (24.5")
- WC101369 Cabinet* - 487 mm (19.17") x 623 mm (24.5")
- WC101469 Cabinet* - 589 mm (23.18") x 725 mm (28.5")
- WC101569 Oval Cabinet* - 360 mm (14.17") x 483 mm (19")
- WC101669 Bi-View Cabinet* - 751 mm (29.56") x 623 mm (24.5")
- WC101769 Tri-View Cabinet* - 598 mm (23.54") x 623 mm (24.5")
- WC101869 Tri-View Cabinet* - 751 mm (29.56") x 623 mm (24.5")
- WC101969 Tri-View Cabinet* - 902 mm (35.51") x 623 mm (24.5")
- WC102069 Bi-View Cabinet* - 598 mm (23.54") x 623 mm (24.5")

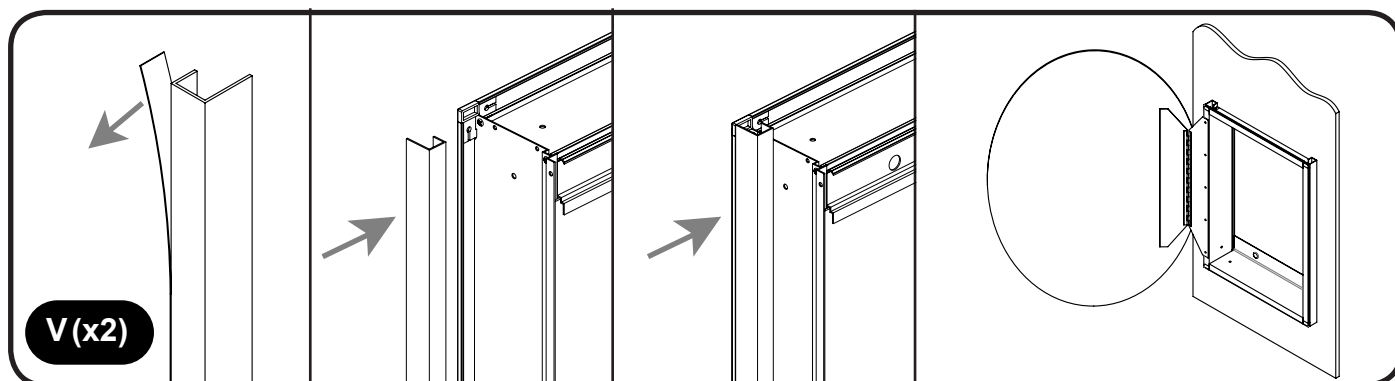


EN Frame the cutout opening to provide a mounting surface for the recessed cabinet.

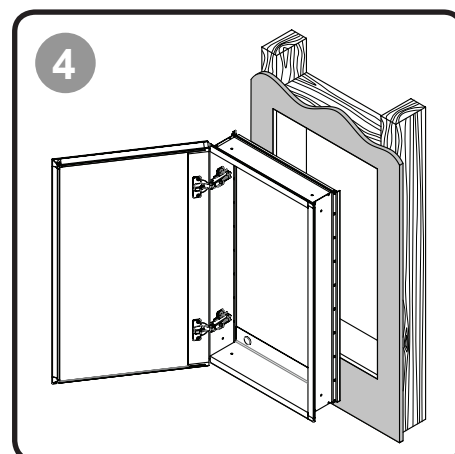


IMPORTANT: Pre-installation guide for WC101569 Oval Cabinet

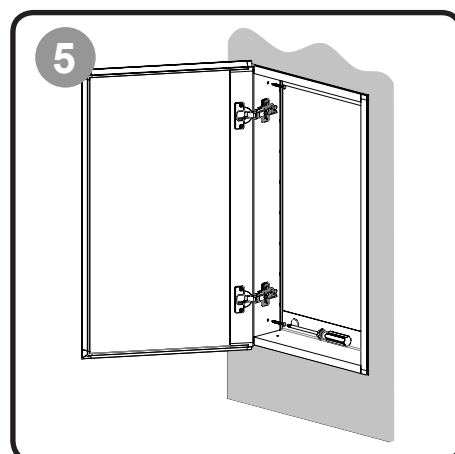
- EN Before installing the WC101569 Oval Cabinet it is important to fit the spacer extrusions behind the front flange of the cabinet. Simply peel off the tape and locate the spacer into position.



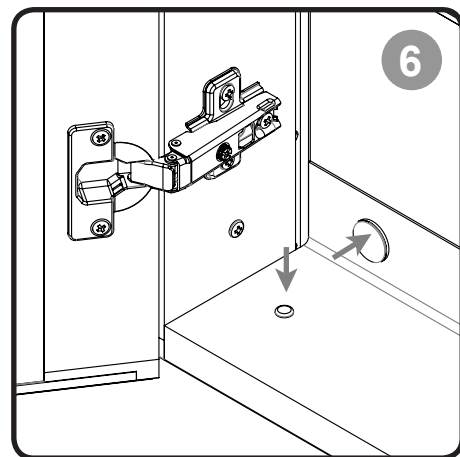
- EN Place the cabinet in the cutout and hold in position. (Note: it is recommended that two people are present when undertaking this task to prevent the cabinet falling from the cutout.)



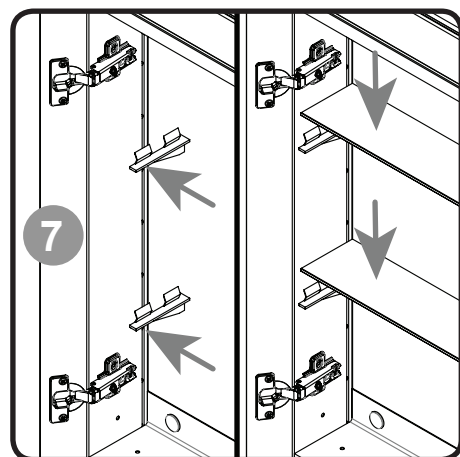
- EN Ensure the cabinet is level within the cutout and with the dome head fixing screws provided secure the cabinet into position through the mounting holes and into the wall studs. (Note: the cabinet can be secured to the wall studs using the mounting holes situated in the top, base or sidewalls) **DO NOT OVER TIGHTEN THE SCREWS.**



EN Once secured into position hide the remaining un-used holes using the large and small hole caps provided.

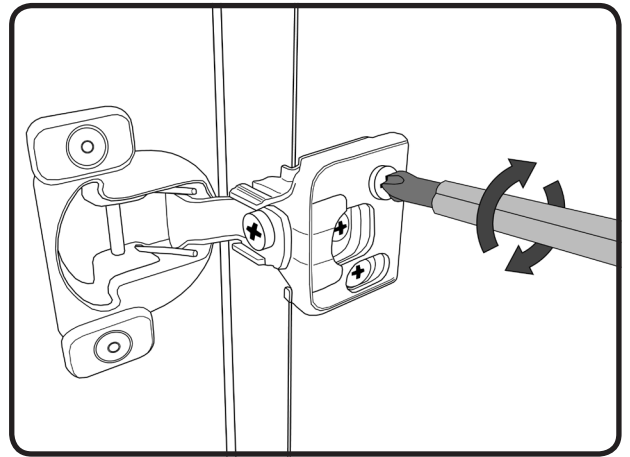
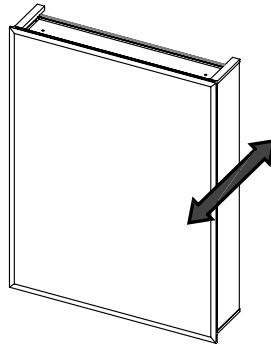


EN Locate the shelf brackets into the holes situated on the sidewall of the cabinet. Determine a suitable shelf position within the cabinet and press the bracket into place. Clip the glass shelves into the brackets to complete the cabinet assembly.

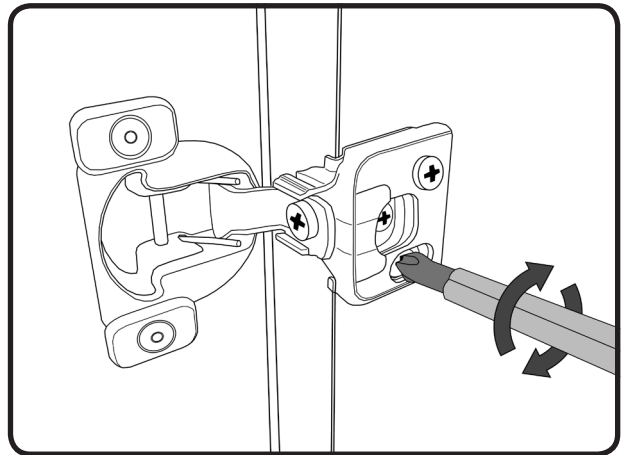
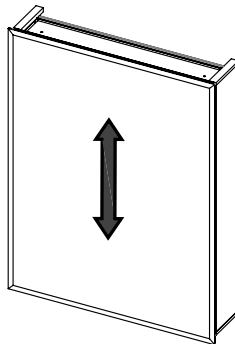


Hinge Adjustment Guide for WC101169

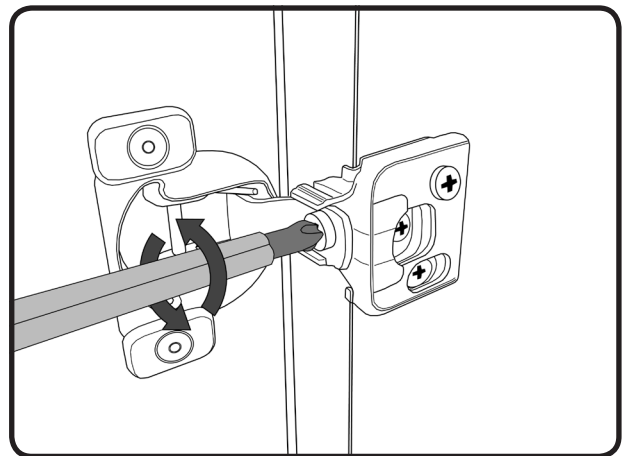
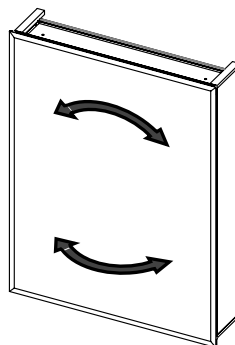
EN To move the door position forwards adjust as shown.



EN To move the door position up or down adjust as shown.

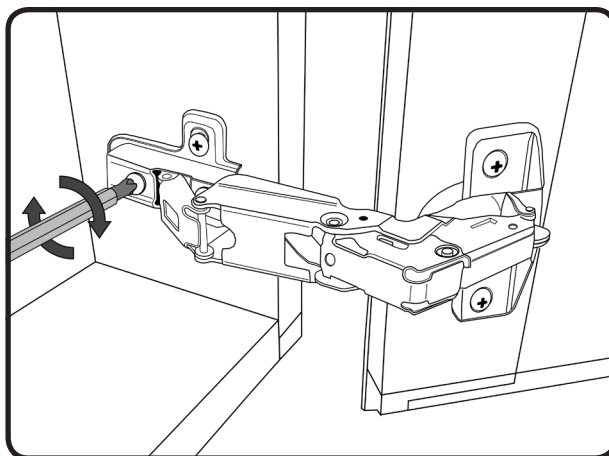
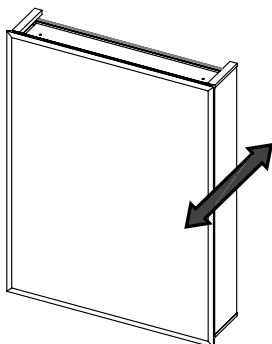


EN To move the door position left or right adjust as shown.

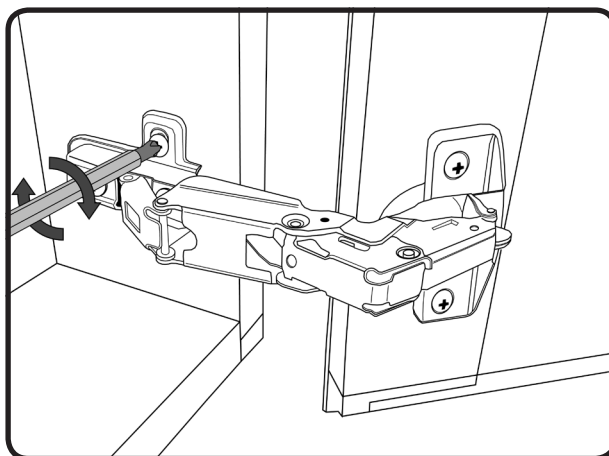
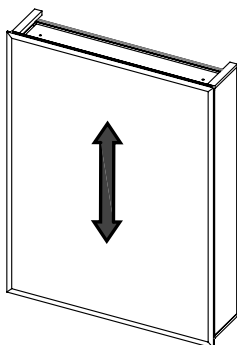


Hinge Adjustment Guide

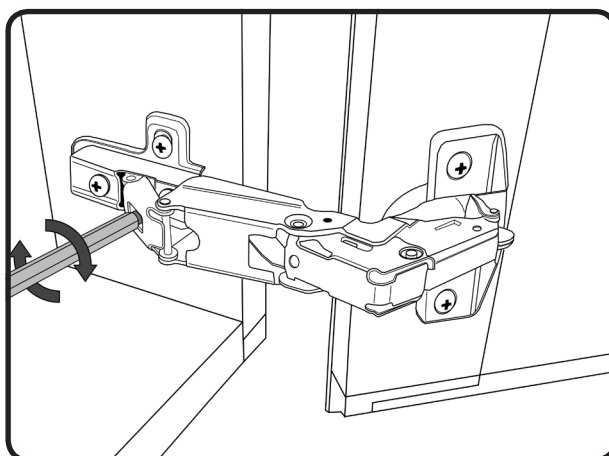
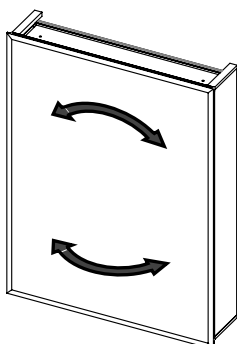
EN To move the door position forwards adjust as shown.



EN To move the door position up or down adjust as shown.



EN To move the door position left or right adjust as shown.



For details of the other items in the Croydex range please visit our website: www.croydex.com

Tel: +44 (0) 1264 365881
Fax: +44 (0) 1264 356437
Email: info@croydex.co.uk