

Thank you for purchasing this Croydex product. Please follow the fixing and care instructions to ensure that your product is fitted safely and that it retains its high quality finish. Please retain this leaflet for future reference.

This instruction leaflet applies to the following products:

MM720500E INPUT: 220-240V ~ 190mA 40W IP 44
MM720400E INPUT: 220-240V ~ 120mA 25W IP 44
MM720700E INPUT: 220-240V ~ 160mA 35W IP 44
MM720200E INPUT: 220-240V ~ 160mA 35W IP 44
MM720600E INPUT: 220-240V ~ 120mA 25W IP 44
MM720300E INPUT: 220-240V ~ 140mA 30W IP 44

IMPORTANT INSTALLATION INFORMATION

THIS IS A CLASS 1 APPLIANCE AND MUST BE CONNECTED TO EARTH

HAZARDOUS VOLTAGES INSIDE – DO NOT OPEN SEALED UNITS

THERE ARE NO USER REPLACEABLE PARTS IN THE MIRROR

In accordance with Statutory Instrument 2004 No. 3210 - The Building (Amendment) (No.3) Regulations 2004, any work, other than repair/replacements, in a room where there is water (e.g. kitchen, bathroom, etc.) must be either:

- carried out by an electrician who is a member of a competent person self-certification scheme who will certify the work complies with the Building Regulations and you do not need to notify your local authority, or,
- carried out after prior notification to the Local Authority Building Control Department, which has responsibility for ensuring that the work is inspected and tested.

IMPORTANT WARRANTY INFORMATION

In accordance with Statutory Instrument 2004 No. 3210 - The Building (Amendment) (No.3) Regulations 2004, the installer must give the occupier of the premises in which this product has been installed a certificate to confirm that the requirements of regulations 4 and 7 have been satisfied, or the installation of this product must be inspected and tested by the Local Authority Building Control Department who will issue a compliance certificate.

A copy of this certificate may be required for certain warranty claims. Failure to provide a copy of the certificate may invalidate the warranty.

This does not affect your statutory rights

We recommend that you make yourself aware of the Regulations before you undertake any work and if you require clarification you should contact your Local Authority Building Control Department.

Fixing Pack Contents

Hang'N'Lock Wall Mounting Bracket Kit x1, Velcro Adhesive Pad x2.
(For Landscape Mounting - Screw x2, Wall Plug x2)

Tools Required

Drill; 8mm masonry drill bit (8mm ceramic drill bit optional); Cross head screwdriver; Pencil; Spirit level
(For Landscape Mounting - 6mm masonry drill bit, 6mm ceramic drill bit optional)

KEEP DIY TOOLS OUT OF THE REACH OF CHILDREN

Home Safety Advice

It is recommended that two people fit the mirror to ensure that it is fitted safely.

Always take care when using an electric drill, particularly in the bathroom. Always check for hidden cables and pipe work before drilling and take extreme care if there is any water in the working area.

It is advisable to use a residual current circuit breaker (RCCB).

Always wear suitable eye protection when drilling.

If the mirror is to be fitted on a ceramic tiled wall, a ceramic drill bit should be used. Always ensure that the drill hole passes through the central tiled area rather than through the grouted area. To prevent unnecessary damage to the tile, mask the area around the hole with tape before drilling.

Do not strike the mirror with hard or sharp objects.

Fixing Instructions

Positioning the Mirror

1. The mirror is rated IP44 and must only be installed with the connection to the domestic mains electrical supply in the Outside Zones, as shown in Figure 1.

2. Ensure that the access to the domestic mains electrical supply is located behind the intended mounting position for the mirror.

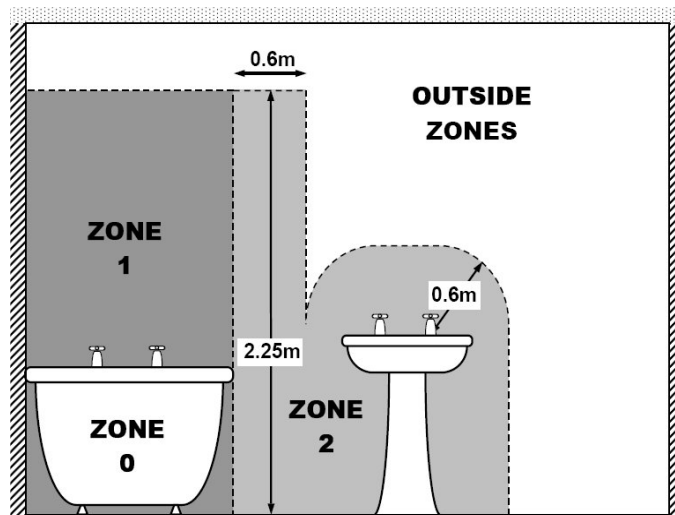


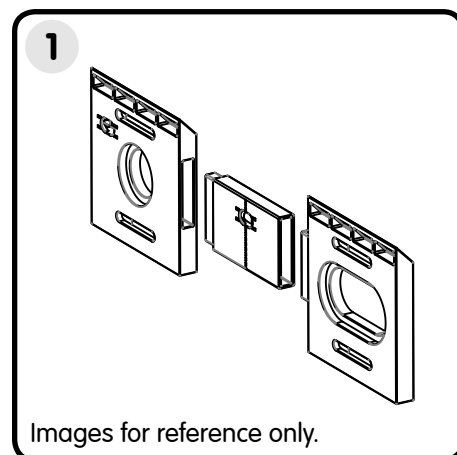
Fig 1

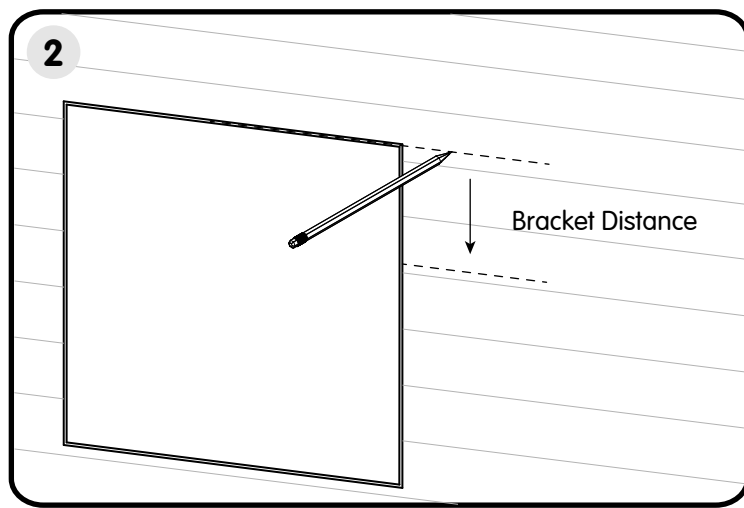
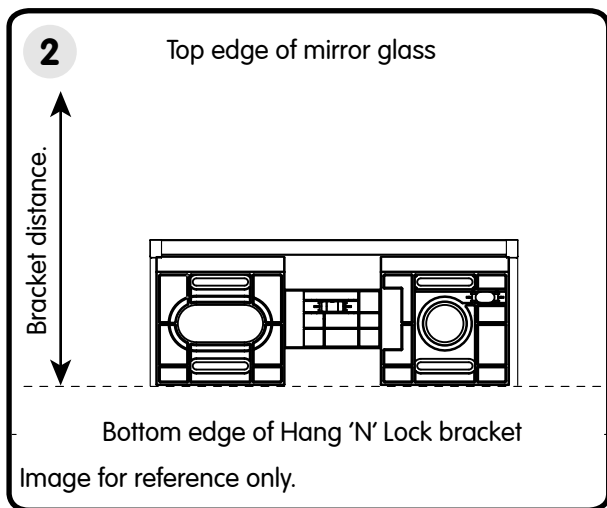
Mounting using Hang 'N' Lock

1. Assemble the Hang 'N' Lock bracket sections making sure all parts are slotted tightly together.

2. Place the assembled Hang 'N' Lock bracket onto the support slot on the back of the mirror and hold in place. Measure the distance from the bottom bracket to the top edge of the mirror glass. Make a note of the 'Bracket Distance' as it will help you when mounting your mirror.

Carefully hold your mirror in the desired location on the wall and using a pencil make a reference line along the top edge of the mirror. Use the Bracket Distance you measured earlier to create a reference line where the bottom of your Hang 'N' Lock bracket will be located.



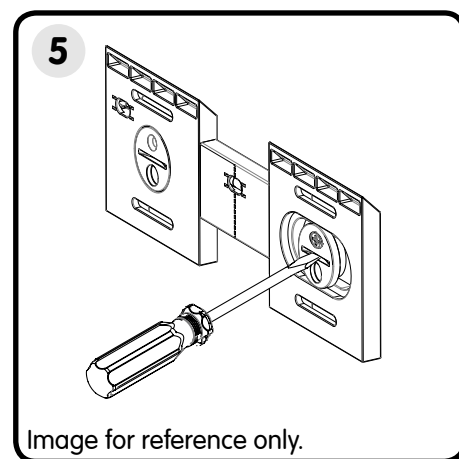
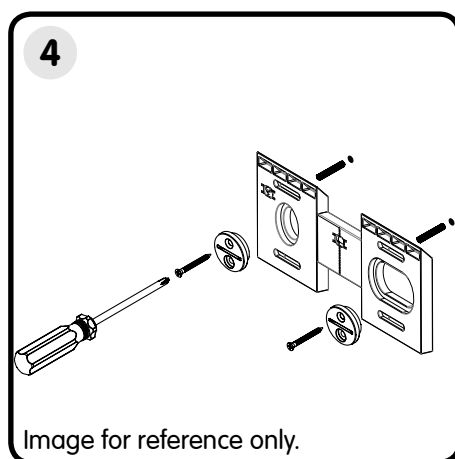
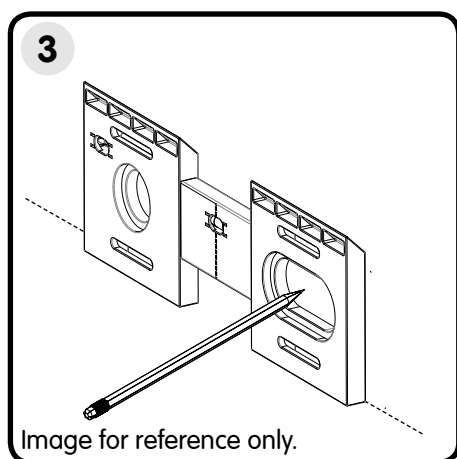


3. Place the bottom edge of the Hang 'N' Lock bracket onto the lower reference line and mark a screw hole position in each cam hole recess. Remove the bracket from the wall.

4. Drill holes to a depth of 45mm and insert the wall plugs level with the surface of the wall. (Note: if you are fitting the product to a tiled surface, insert the wall plugs below the surface of the tile to avoid cracking the tiles). Insert the countersink screws through the Hang 'N' Lock cams and loosely secure the Hang 'N' Lock bracket to the wall.

The wall plugs supplied are for use on solid walls only. For cavity walls or plasterboard use specialist fixings that are available from all good DIY stores.

5. With the Hang 'N' Lock bracket loosely attached to the wall, adjust for height and level by rotating the cams with a flat head screwdriver, then use a Philips screwdriver to fully tighten the mounting screws, to securely fix the bracket into position.



6. Connecting the Electrical Supply

Ensure that the domestic electrical mains supply to which the cabinet is to be connected is turned off.

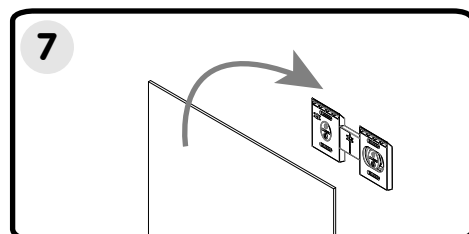
Connect the flexible mains supply cable on the mirror to the domestic electrical mains supply ensuring that:

- The Live (Brown) conductor is connected to the Live on the domestic electrical mains supply.
- The Neutral (Blue) conductor is connected to the Neutral on the domestic electrical mains supply.
- The Earth (Green/Yellow) conductor is connected to the Earth/Ground on the domestic electrical mains supply.

Note: Connection of the product to the domestic electrical mains supply must only be carried out by a Building Regulations Part P certified electrician or must be checked by your Local Authority Building Control Department.

7. Once Step 6 has been completed safely. Hang the mirror onto the Hang 'N' Lock bracket. Ensure the mirror has securely located onto the bracket before letting go.

Proceed to **Step 9 and 10.**



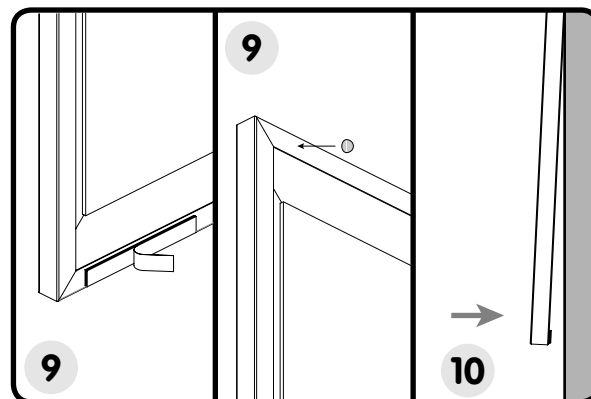
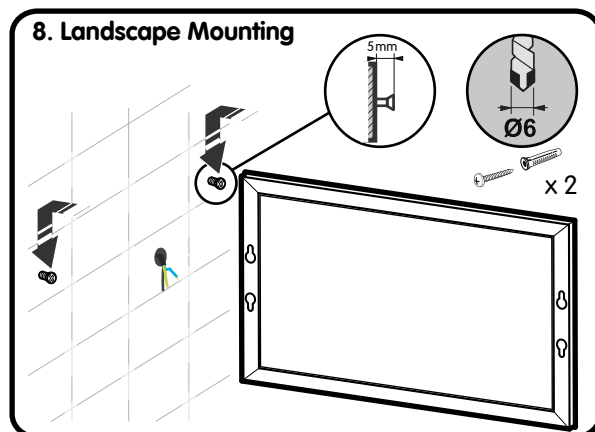
8. Mounting in Landscape Orientation

The mirrors that can be mounted in landscape orientation are;
MM720200E - Chilcombe Illuminated Mirror
MM720700E - Rookley Illuminated Mirror
MM720400E - Chawston Illuminated Mirror
MM720300E - Henbury Illuminated Mirror

To do this, measure the distance between the keyhole slot centres and use a spirit level to mark two points on the wall. Drill the mounting holes in the marked positions using a 6mm drill bit and insert the screws, ensuring that the screw head extends out of the wall by approximately 5mm. Adjust screw depth for a secure fit. Follow **Step 6** for connecting to the electrical supply, then simply hook the mirror onto the two screws.

9. Peel off the protective cover strip from the back of the hook and loop fasteners and place on the back of the mirror frame. (The adhesive tape is ideal for use on tiled and laminate surfaces but may cause damage to painted and papered walls.) If mounting vertically apply round buffers to top of mirror.

10. Carefully lower the mirror to a vertical position and press the adhesive pads against the wall to secure the bottom of the mirror. The mirror can be removed by separating the hook and loop fastener between the mirror and wall.



Operating Instructions

To turn the LED lights on or off, operate the touch switch on the front of the mirror glass.

Product Care

To retain the best quality finish, clean product regularly with a soft cloth and mild detergents. Do not use abrasive or chemical cleaners, as these will damage the product.

Do not position glass components in close contact with a heat source.

This product complies with the requirements of

- European Parliament/Council Directive 2014/35/EU on the harmonisation of the laws of the Member States relating to the making available on the market of electrical equipment designed for use within certain voltage limits (LVD) Directive (recast).
- European Parliament/Council Directive 2014/30/EU on the harmonisation of the laws of the Member States relating to electromagnetic compatibility (EMC) Directive (recast).
- European Parliament/Council Directive 2011/65/EU on the restriction of the use of certain hazardous substances in electrical and electronic equipment (RoHS) Directive (recast).

Applicable Standards with amendments:

- BS EN 55015:2013
- BS EN 61547:2009
- BS EN 60335-1:2012+A11:2014
- BS EN 60335-2-30:2009+A11:2012
- BS EN 62493:2015
- BS EN 62471:2008

For details of the other items in the Croydex range please visit our website: www.croydex.com
Croydex, Central Way, Andover, Hampshire,
SP10 5AW, UK
Tel: +44 (0) 1264 365881 Fax: +44 (0) 1264 356437
E-mail: info@croydex.co.uk



To the Low Voltage Directive (LVD) 2014/35/EU and Electromagnetic Compatibility (EMC) Directive 2014/30/EU

1. *Description of products:-*

Name: **LED Illuminated Mirror with Demister Pad**
Part No. **MM720500E, MM720400E, MM720700E, MM720200E, MM720600E,
MM720300E**

2. *Directives complied with:-*

European Parliament/Council Directive 2014/35/EU on the harmonisation of the laws of the Member States relating to the making available on the market of electrical equipment designed for use within certain voltage limits (LVD) Directive (recast).

European Parliament/Council Directive 2014/30/EU on the harmonisation of the laws of the Member States relating to electromagnetic compatibility (EMC) Directive (recast).

3. *Declaration*

The products listed above in section 1 conform to the following harmonised standards:

LVD

BS EN 60335-1:2012+A11:2014
BS EN 60335-2-30:2009+A11:2012
BS EN 62493:2015
BS EN 62471:2008

EMC

Emissions: BS EN 55015:2013
Immunity: BS EN 61547:2009

For and on behalf of CROYDEX

P. Pegden
Product and Procurement Director
Date: 04-01-2016



To the Restriction of Hazardous Substances (RoHS) Directive 2011/65/EU

1. *Description of products:-*

Name: **LED Illuminated Mirror with Demister Pad**
Part No. **MM720500E, MM720400E, MM720700E, MM720200E, MM720600E,
MM720300E**

2. *Directives complied with:-*

European Council Directive 2011/65/EU of 8 June 2011 on the restriction of the use of certain hazardous substances in electrical and electronic equipment (recast).

3. *Declaration*

It is hereby certified that the concentration by weight of the restricted substances in the homogenous materials in the products described above at section 1 do not exceed the maximum allowed concentrations listed in European Council Directive 2011/65/EU Annex II Restricted substances referred to in Article 4(1) and maximum concentration values tolerated by weight in homogeneous materials, as detailed below:

Substance	Concentration
Lead	0.1%
Mercury	0.1%
Cadmium	0.01%
Hexavalent Chromium	0.1%
PBB (Polybrominated Biphenyls)	0.1%
PBDE (Polybrominated Diphenyl Ethers)	0.1%

For and on behalf of CROYDEX

P. Pegden
Product and Procurement Director
Date: 04-01-2016