

Hang 'N' Lock Mirrors

Thank you for purchasing this Croydex product. Please follow the fixing and care instructions to ensure your Hang 'N' Lock Mirror is fitted safely and retains its high quality finish. Please retain this leaflet for future reference.

This installation guide applies to the following mirrors:

MM701605 - Parkgate Rectangular Mirror with Brushed Stainless Steel Frame

MM701722 - Barton Square Steel Box Frame Mirror

MM701822 - Lydden Mirror and Steel Shelf

Tools required - not supplied

Pencil; Tape Measure; Philips Screwdriver; Flat Head Screwdriver; Drill; 8mm Drill Bit, 8mm Ceramic drill bit (optional).

KEEP DIY TOOLS OUT OF THE REACH OF CHILDREN

Home Safety Advice

- It is recommended that two people fit this product to ensure that it is fitted safely.
- Always take care when using power tools, particularly in the bathroom.
- Always check for hidden cables and pipework before drilling and take extreme care if there is any water in the working area.
- It is advisable to use a residual current circuit breaker (RCCB).
- Always wear suitable eye protection when drilling.
- If the product is to be fitted on a ceramic tiled wall, a ceramic drill bit should be used.
- Always ensure that the drill hole passes through the central tiled area rather than through the grouted area. To prevent damage to the tile, mask the area around the hole with tape before drilling.
- Do not strike the product with hard or sharp objects.

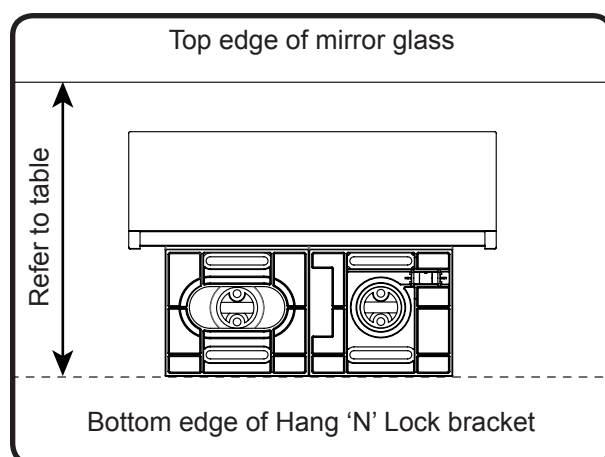
Product Care

To retain the best quality finish, clean product regularly with a soft damp cloth. Do not use abrasive or chemical cleaners as these will damage the product.

Hang 'N' Lock pre-installation guide

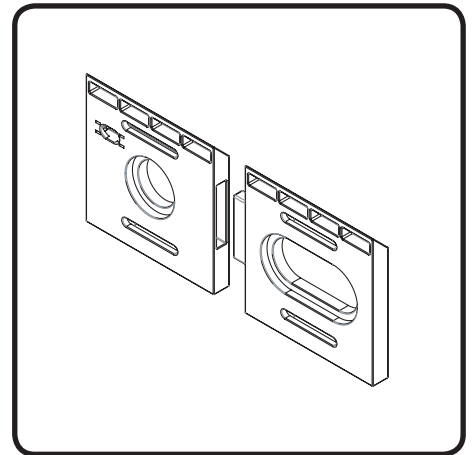
Refer to the dimensions below to position the Hang 'N' Lock bracket. (Dimension are for reference only. Please double check dimension against mirror).

Product Code	Portrait	Landscape
MM701605	110	110
MM701722	198	n/a
MM701822	210	n/a

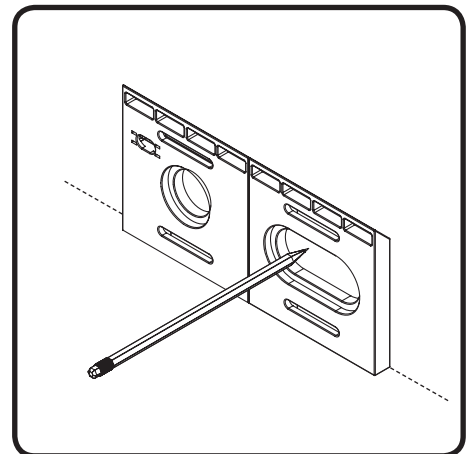


Installation Guide

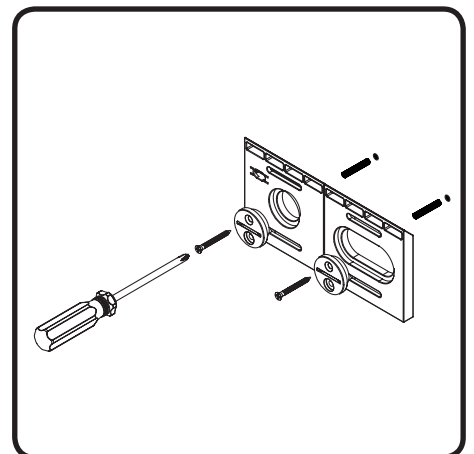
1. Assemble the Hang 'N' Lock bracket sections making sure all parts are slotted tightly together.



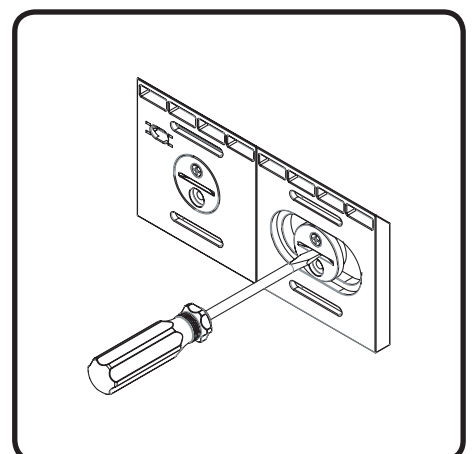
2. Place the bottom edge of the Hang 'N' Lock bracket onto the reference line and mark a screw hole position in each cam hole recess. Remove the bracket from the wall.



3. Drill holes to a depth of 45mm and insert the wall plugs level with the surface of the wall. (Note: if you are fitting the product to a tiled surface, insert the wall plugs below the surface of the tile to avoid cracking the tiles). Insert the countersink screws through the Hang 'N' Lock cams and loosely secure the Hang 'N' Lock bracket to the wall.



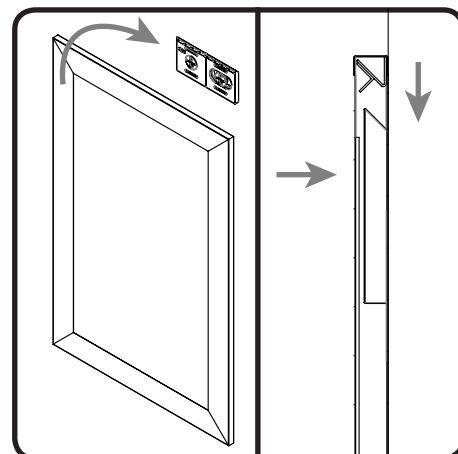
4. With the Hang 'N' Lock bracket loosely attached to the wall, adjust for height and level by rotating the cams with a flat head screwdriver, then use a Philips screwdriver to fully tighten the mounting screws, to securely fix the bracket into position.



Installation Guide

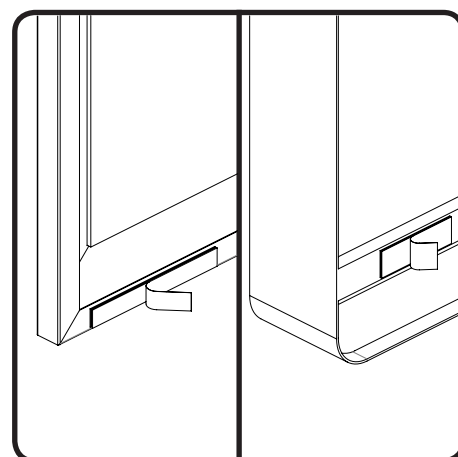
5. Align the centre of the mirror with the centre line of the Hang 'N' Lock bracket and the carefully hang the mirror on the bracket. Ensure the mirror is fully supported on the bracket before releasing it.

Check the level of the mirror and its position on the wall. Carefully ease the bottom of the mirror from the wall to access the back of the mirror frame. Make sure that the mirror is fully supported on the bracket at all times when doing this.



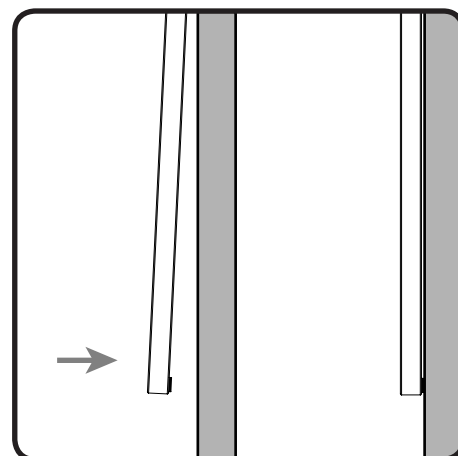
6. Peel off the protective cover strip from the back of the hook and loop fasteners.

(The adhesive tape is ideal for use on tiled and laminate surfaces but may cause damage to painted and papered walls.)



7. Carefully lower the mirror to a vertical position and press the adhesive pads against the wall.

The mirror can be removed by separating the hook and loop fastener between the mirror and wall.



For details of the other items in the Croydex range please visit our website: www.croydex.com

Croydex Ltd, Central Way, Andover, Hants, SP10 5AW, UK
Tel: +44 (0) 1264 365881
Fax: +44 (0) 1264 356437
Email: info@croydex.co.uk

Check out our full range of Bathroom Accessories

Bathroom Accessory Sets

Heated Towel Rails

Bathroom Extractor Fans

Bathroom Lighting

Shower Seats

Grab Rails

Shower Curtains

Toilet Brushes

Bathroom Cleaning Products

Wall Mounted Bathroom Accessories

Robe Hooks

Bathroom Tumblers

Toilet Roll Holders

Soap Dishes

Towel Rings

Shower Caddies

Bathroom Mirrors

Standard Bathroom Mirrors

LED Bathroom Mirrors

Shaving Mirrors

plumbworld
Big brands, small prices.