

FLEXI-FIX WIRE BATHROOM STORAGE



QM800641



QM805941



QM800541



QM803841



QM802841



QM810641



QM810941



QM810541



QM813841

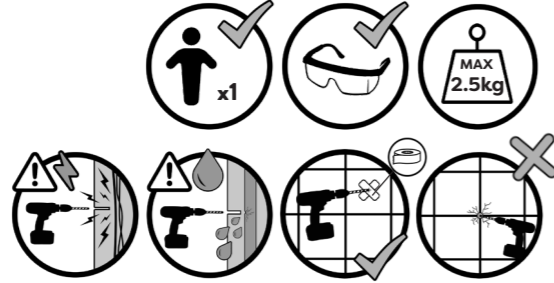
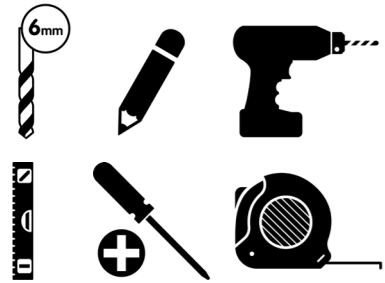


QM814341



SAFETY AND CARE

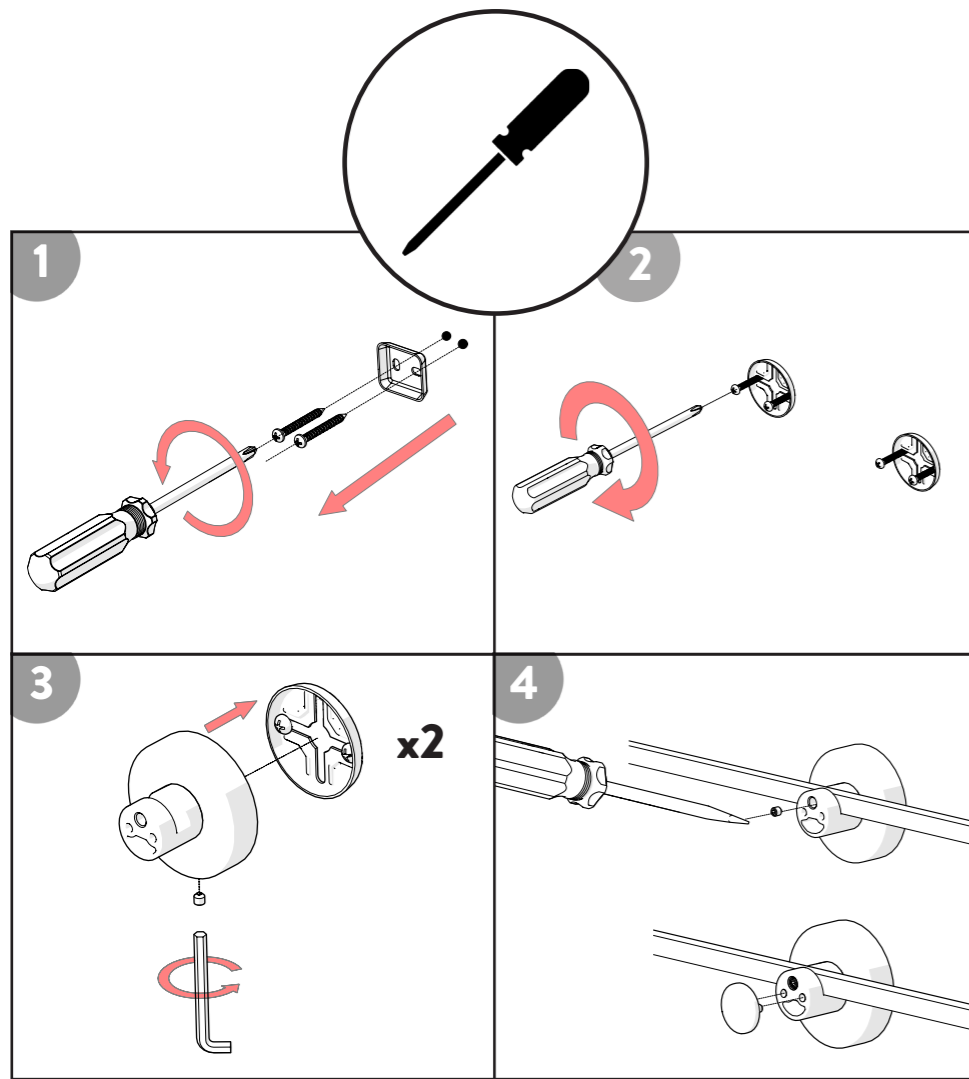
1. Always take care when using power tools, particularly if there is any water in the working area.
2. When drilling into a tiled surface do not use a hammer drill.
3. Always use a drill bit that is suitable for the surface that is being drilled.
4. The wall plugs supplied are for use on solid walls only. For cavity walls or plasterboard use specialist fixings that are suitable for the type of wall construction.
5. To retain the best quality finish, clean product regularly with a soft damp cloth.
6. Do not use abrasive or chemical cleaners, as these may damage the product.
7. Redecoration may be required on some painted surfaces after removal.
8. The maximum safe working load is 2.5kg distributed evenly. **DO NOT OVERLOAD.**
9. Do not use tile cleaning chemicals on or around this product as they may affect adhesion.



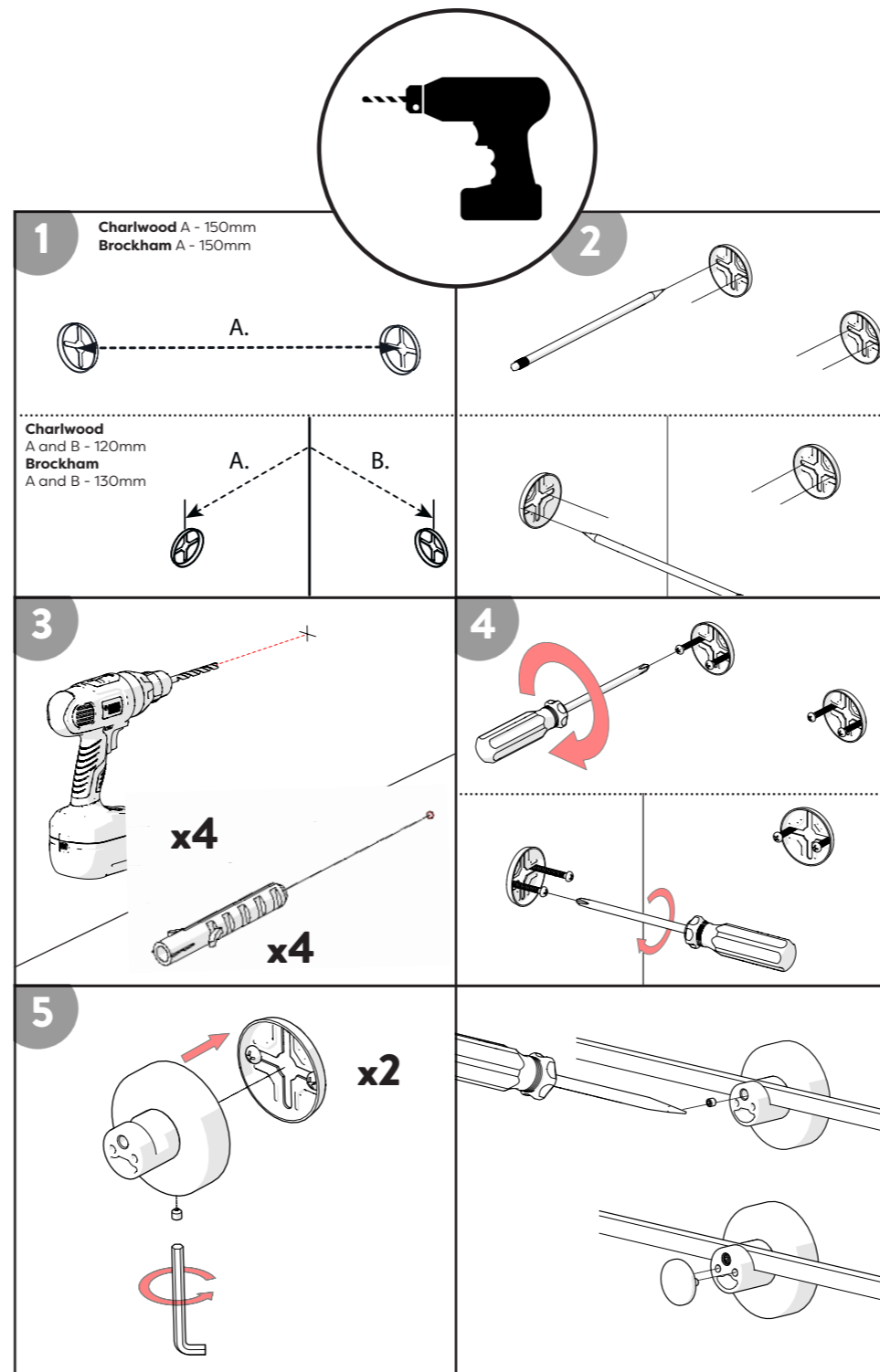
WARNING

The adhesive is suitable for use on most flat finished surfaces, such as gloss paint, tiles, polished stone, laminates and textured surfaces. **DO NOT USE ON DECORATIVE WALL PAPER FINISHES.** The adhesive is **NOT** suitable for unfinished materials such as brick, block-work, wood, emulsion paint, loose, flaky surfaces or surfaces contaminated with grease, wax or dust.

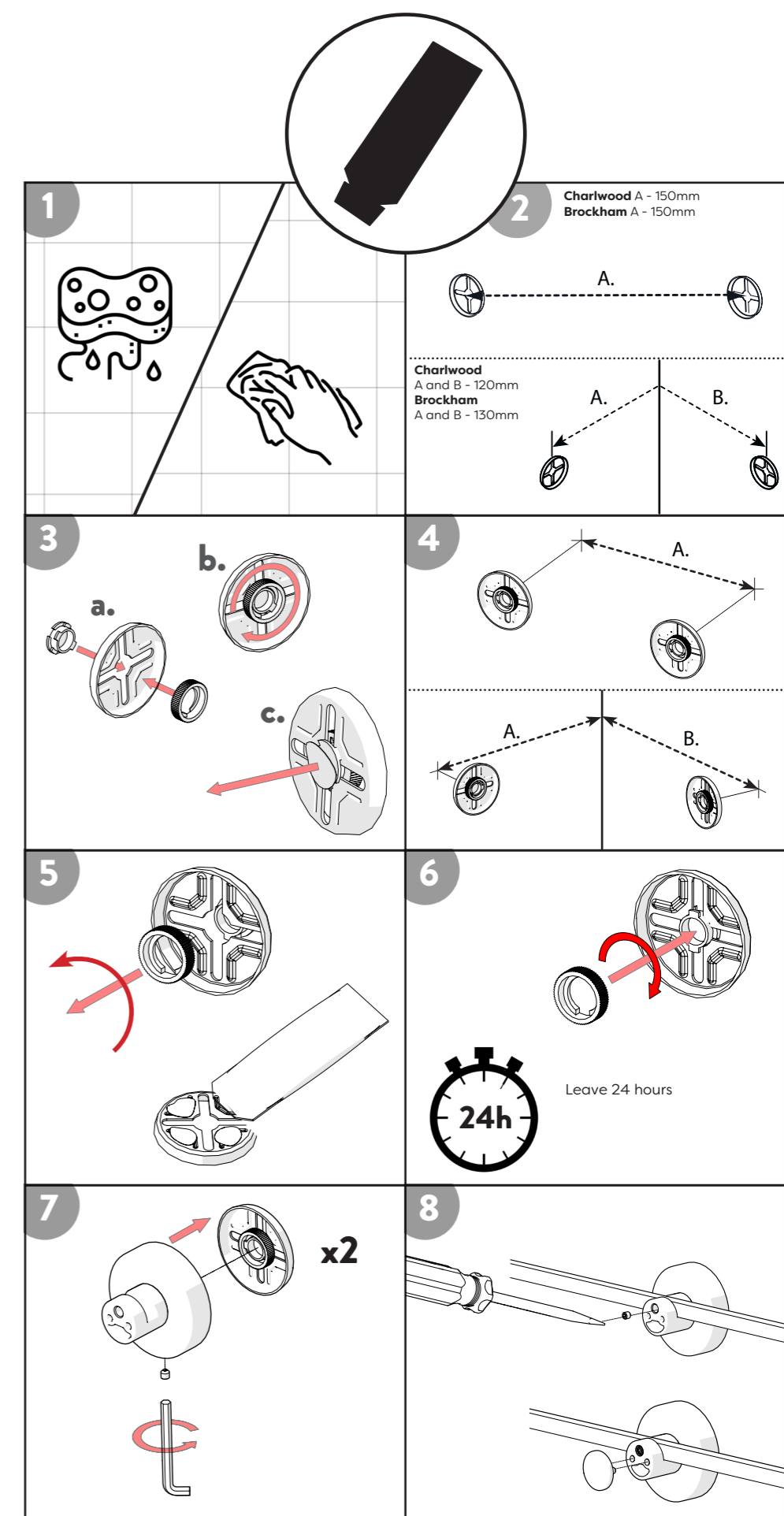
When using existing holes.



When drilling new holes.



When using adhesive fixing method.



UK: Croydex, Central Way, Andover, Hampshire, SP10 5AW, UK
 EU: MIL, Unit 8 Purcellsinch Ind Est, Dublin Road, Kilkenny, R95 HP71, Ireland



+44 (0) 1264 365881



+44 (0) 1264 356437



info@croydex.co.uk



www.croydex.com

