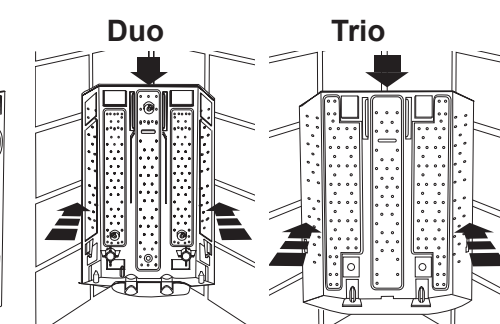
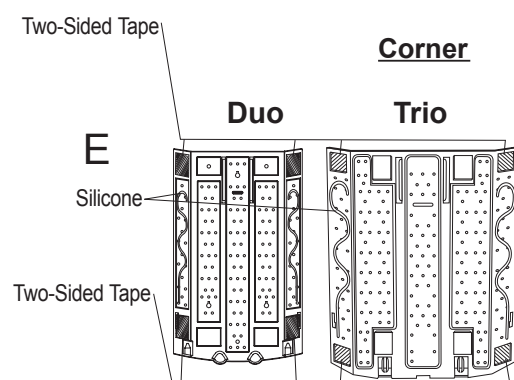
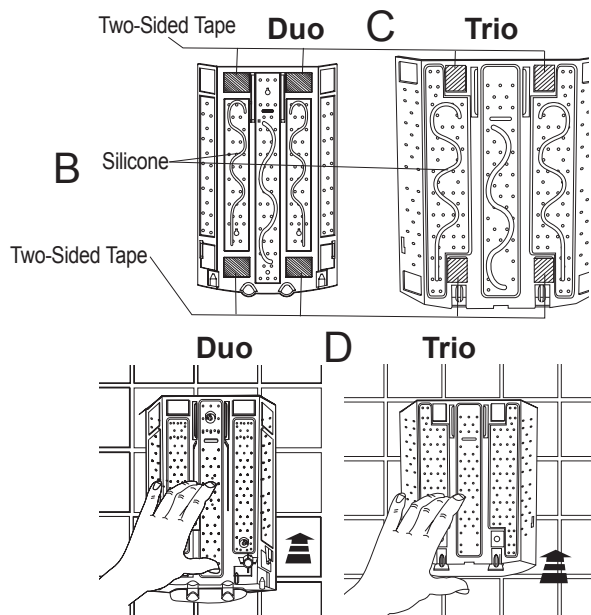
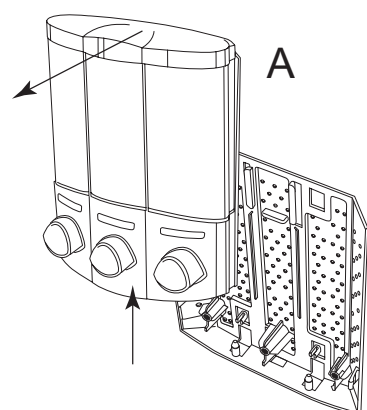


- Dispenser Components:**
- | | |
|--------------------|---------------------|
| 1. Container | 5. Mounting Bracket |
| 2. Lid | 6. Pump |
| 3. Button | 7. Valve |
| 4. Bottom Retainer | |

Installing Mounting Bracket

Flat wall

Removing Backplate



Silicone Adhesive – Warnings and Cautions

Use in a well ventilated area.

If the silicone adhesive contained within this pack gets into your eyes, immediately flush with water for 15 minutes and seek medical attention.

If the adhesive should get on your skin, remove immediately and wash thoroughly with soap and water. If an irritation should occur seek medical attention.

DO NOT SWALLOW - KEEP OUT OF THE REACH OF CHILDREN



Croydex, Central Way, Andover, Hampshire, SP10 5AW, UK
Tel: +44 (0) 1264 365881 Fax: +44 (0) 1264 367223
Sales: sales@croydex.co.uk Helpline: info@croydex.co.uk

www.croydex.co.uk

**MOUNTING INSTRUCTIONS:
(USING BOTH TAPE AND SILICONE)**

1. Make certain that the wall area provides a clean, dry mounting surface. Clean & rinse mounting surface thoroughly, to remove soap film and allow drying before beginning the installation. If mounting onto moulded fibreglass, surface should be cleaned with nail polish remover without oil to eliminate any wax residue from the fibreglass moulding process.
2. Place and mark the position of the dispenser on the wall allowing sufficient clearance above the product so that the soap container (1) can be easily removed.
3. Remove the Dispenser Container Assembly (1) from the Mounting Bracket (5) by sliding the container up and away from the bracket. (A)

For Flat Wall Installations

1. Install double faced tape tabs onto all mounting locations, as shown (B). Remove tape cover strips
2. Apply the entire contents of the silicone tube in a wavy pattern, as shown, (B). Be careful not to get silicone onto tape tabs as this will prevent adhesion to the wall.
3. Press the backplate securely into position on the wall (C). Press and hold firmly to ensure strong adhesion of the tape. You will likely see some silicone squeezing through the holes on the backplate. This is desirable.

For Corner Installations IMPORTANT:

For corner installations, it is essential that the backplate bracket fits perfectly into a square corner, so that the silicone can achieve a strong bond to the wall. Test the corner with the backplate (D) before applying tape or silicone to ensure the two application surfaces of the bracket make full contact to the wall. If this full surface contact is not possible (because the corner is not square) please install your dispenser on a flat wall instead (see above).

1. Install four double faced tape tabs onto mounting locations, as shown (E). Remove tape cover strips.
2. Apply the entire contents of the silicone tube in a wavy pattern, as shown (E). Be careful not to get silicone onto tape tabs as this will prevent adhesion to the wall.
3. Slide the dispenser unit back onto the backplate. This ensures that the backplate will not twist during installation. Press the backplate securely into position on the wall, ensuring full contact with both wall surfaces. Remove the dispenser from the backplate. Press and hold firmly to ensure

strong adhesion of the tape. You will likely see some silicone squeezing through the holes on the backplate. This is desirable.

**DO NOT FILL OR MOUNT
CONTAINER ONTO MOUNTING
BRACKET UNTIL SILICONE IS FULLY
CURED AFTER 24 HOURS.**

FILLING CHAMBERS AND PRIMING PUMPS:

1. Only after the silicone is fully cured can the mounting bracket support the weight of the liquids. Fill the chamber(s) with your choice of liquid(s)
2. Prime the Pump(s).
 - a. Push button in.
 - b. While holding the pump button in, place your finger over the spout of the pump to block the airflow up into the pump. (This creates a partial vacuum in the pump chamber, when the button is released).
 - c. Keep your finger over the spout and release the pump button.
 - d. Remove your finger from the spout and repeat these steps until you have a continuous flow of liquid. (This may take several cycles, especially when using very thick liquids).

MAINTENANCE:

Bathroom cleaners often contain aggressive chemicals and abrasives, designed to clean ceramic and porcelain surfaces. These cleaners are likely to damage, deteriorate or discolour the dispenser

Do not use chemical or abrasive cleaners.

**THE BEST METHOD FOR CLEANING
THE DISPENSER IS WITH A
SOFT DAMP CLOTH.**

Check out our full range of Bathroom Accessories

Bathroom Accessory Sets

Heated Towel Rails

Bathroom Extractor Fans

Bathroom Lighting

Shower Seats

Grab Rails

Shower Curtains

Toilet Brushes

Bathroom Cleaning Products

Wall Mounted Bathroom Accessories

Robe Hooks

Bathroom Tumblers

Toilet Roll Holders

Soap Dishes

Towel Rings

Shower Caddies

Bathroom Mirrors

Standard Bathroom Mirrors

LED Bathroom Mirrors

Shaving Mirrors

plumbworld
Big brands, small prices.