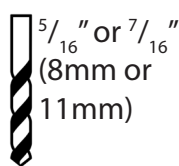
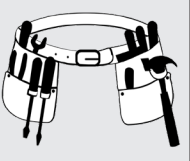
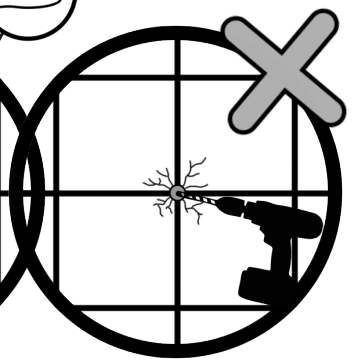
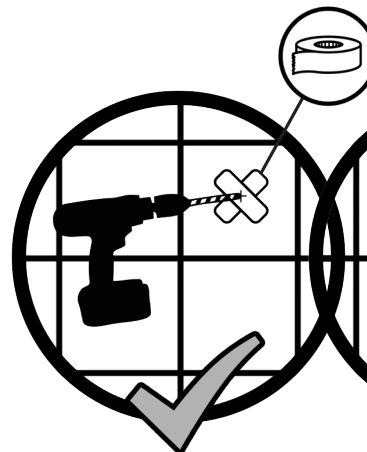
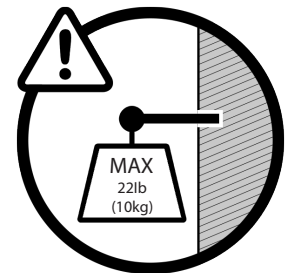
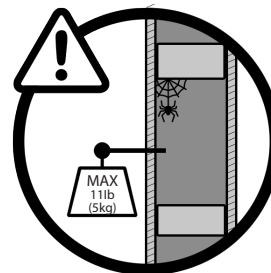
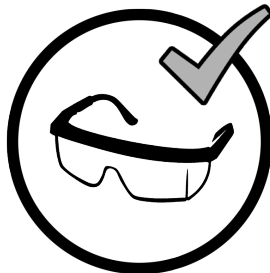


	A.	B.	C.
WC9300##	26 ³ / ₈ " (670mm)	15 ³ / ₄ " (400mm)	4 ³ / ₄ " (120mm)
WC9301##	26 ³ / ₈ " (670mm)	19 ¹¹ / ₁₆ " (500mm)	4 ³ / ₄ " (120mm)
WC9302##	26 ³ / ₈ " (670mm)	23 ⁵ / ₈ " (600mm)	4 ³ / ₄ " (120mm)
WC9303##	26 ³ / ₈ " (670mm)	31 ¹ / ₂ " (800mm)	4 ³ / ₄ " (120mm)
WC4516##	20 ³¹ / ₆₄ " (520mm)	11 ¹³ / ₁₆ " (300mm)	4 ⁴⁷ / ₆₄ " (120mm)
WC4518##	20 ³¹ / ₆₄ " (520mm)	17 ²³ / ₃₂ " (300mm)	4 ⁴⁷ / ₆₄ " (120mm)

Dimensions are approximate and shown for reference only.



EN. Please read the information sheet before proceeding.





For reference only



Parts may vary.
(Optional)

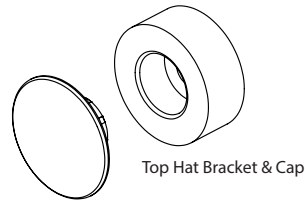
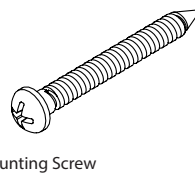
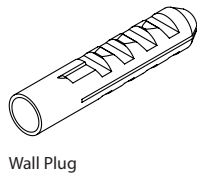


Warning! Please take special care.

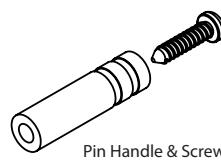
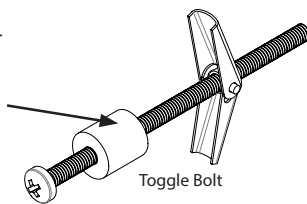
Please read all of the information carefully and refer back when you see the numbered icons throughout instructions.

Safety and Care **EN**

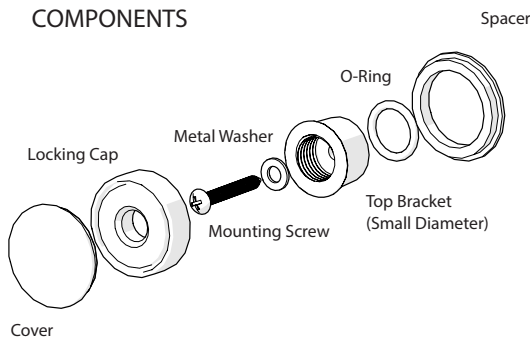
- 1 Always take care when using power tools, particularly if there is any water in the working area.
- 2 Always check for hidden cables and pipework before drilling and take extreme care if there is any water in the working area.
- 3 Always use a residual current circuit breaker (RCCB/GFCI).
- 4 Always wear suitable eye protection when drilling.
- 5 When drilling into a tiled surface do not use a hammer drill.
- 6 Always use a drill bit that is suitable for the surface that is being drilled.
- 7 The wall plugs supplied are for use on solid walls only. For cavity walls or plasterboard use specialist fixings that are suitable for the type of wall construction.
- 8 Do not use power tools for assembly.
- 9 To retain the best quality finish, clean product regularly with a soft damp cloth.
- 10 Do not use abrasive or chemical cleaners, as these may damage the product.
- 11 Redecoration may be required on some painted surfaces after removal.
- 12 The max load of the cabinet is 22lb (10kg) when fitted to a solid wall and 11lb (5kg) then fitted to a cavity wall.
- 13 Do not slam the door open, this may damage the hinge.



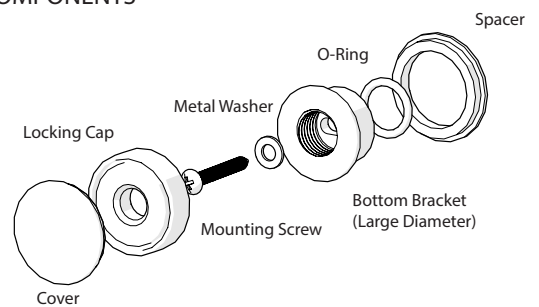
TOGGLE BOLT WALL INSERT
PUSH THE $\frac{7}{16}$ " (11MM)
DIAMETER WALL INSERT
INTO THE 11MM HOLE IN
THE PLASTER BOARD FOR
MAXIMUM LOAD BEARING
STRENGTH.



THIS IMAGE SHOWS THE
TOP BRACKET MOUNTING
COMPONENTS



THIS IMAGE SHOWS THE
BOTTOM BRACKET MOUNTING
COMPONENTS



1.

Place the cabinet in the desired position on the wall and mark the position of the top mounting hole. Note that single door cabinets can be positioned with either a left or right opening door. Simply turn the cabinet upside down to change the door opening direction.

2.

5/16" or 7/16" (8mm or 11mm) drill bit.

Top Bracket (Small Diameter)

Metal Washer

7/16" (11mm) diameter toggle bolt wall insert

For solid walls drill a 5/16" (8mm) diameter hole in the marked position and insert a wall plug flush to the surface of the wall. If fitting to a tiled surface, the wall plug should be inserted below the surface of the wall to avoid cracking the tiles.

For cavity walls drill an 7/16" (11mm) diameter hole and assemble the top bracket and metal washer onto the toggle bolt as shown above. Ensure the 11mm diameter toggle bolt insert is pushed into the hole in the plaster board wall for maximum strength.

3.

IMPORTANT!
If the wall plugs are not inserted flush with the wall surface, the O-ring will not contact the wall correctly. This will prevent the bracket from functioning properly.

Fasten the top bracket to the wall ensuring the O-ring is correctly seated at the back of the bracket. Do not overtighten!
(This image shows the solid wall installation.)

IMPORTANT NOTE: THE TOP BRACKET HAS A SMALLER DIAMETER OUTER FLANGE TO THE BOTTOM BRACKET.

4.

Image 1

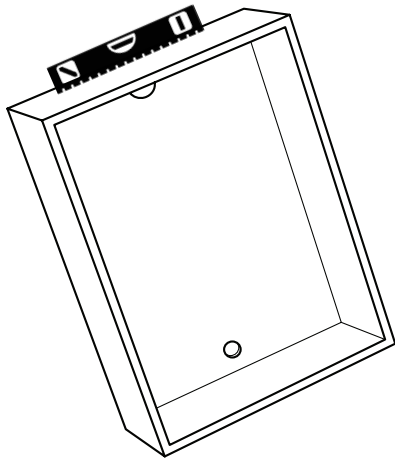
Image 2

Image 3

Hang the cabinet onto the top wall bracket, (see image 1) and secure in place by screwing the locking cap and spacer onto the top bracket, (see image 2).

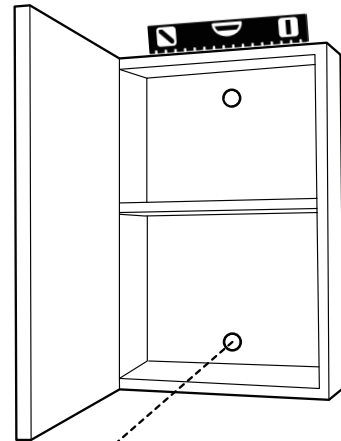
Place the cover onto the locking cap, (see image 3).

5.



Using a spirit level adjust the cabinet so it is level.

6.

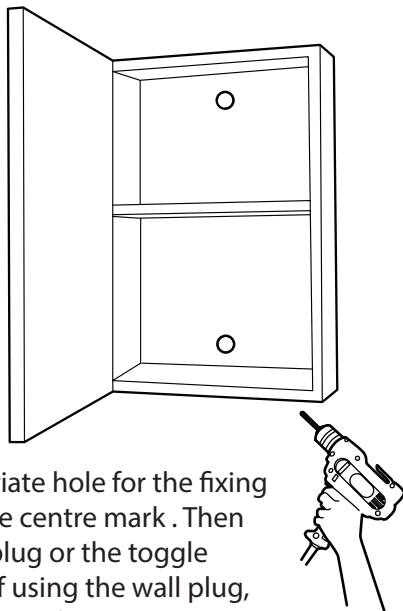


Mark centre of bottom hole.

When level accurately mark a hole in the centre of the bottom fixing hole using the bottom bracket as a guide.



7.



Drill an appropriate hole for the fixing to be used in the centre mark. Then insert the wall plug or the toggle bolt assembly. If using the wall plug, ensure it is inserted flush to the wall surface. If fitting to a tiled surface, the wall plug should be inserted below the surface of the tile to avoid cracking the tiles.

8.

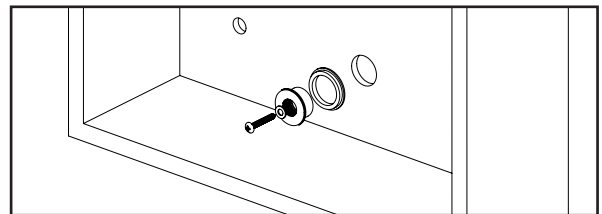


Image 1

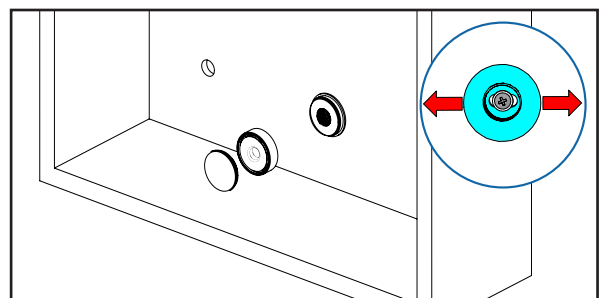
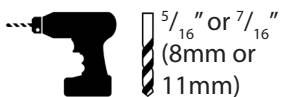
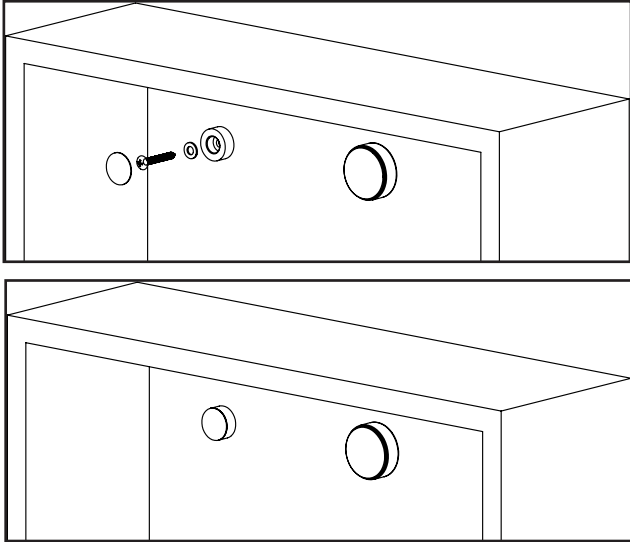


Image 2

Screw the bottom bracket and spacer in position as shown, (image 1). Do not overtighten! If the cabinet is not level, loosen the screw and adjust until it is level. The slot will allow for adjustment. Then screw the locking cap to the bottom bracket and fit the cover, (see image 2).



9.



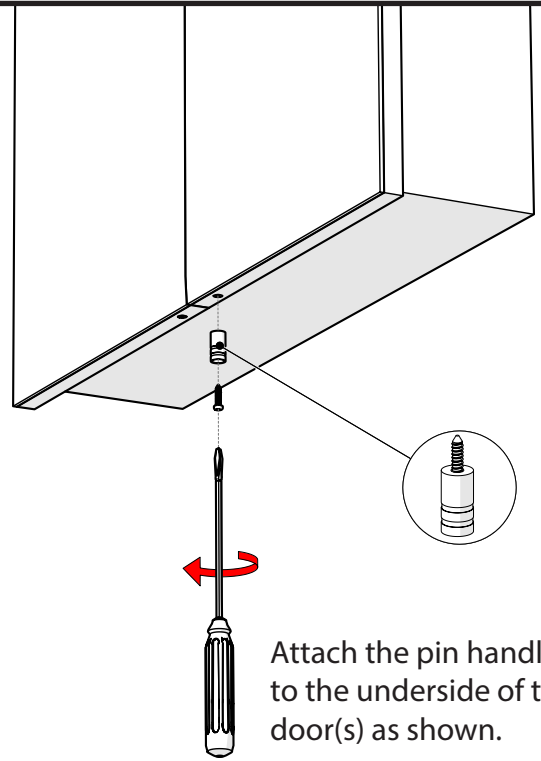
Additional top fixings are supplied if required and these can be fixed with wall plugs or toggle bolts. See images above for assembly details.



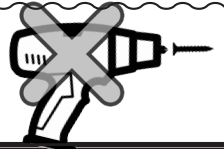
$\frac{5}{16}$ " or $\frac{7}{16}$ "
(8mm or
11mm)



10.



Attach the pin handle to the underside of the door(s) as shown.



11.

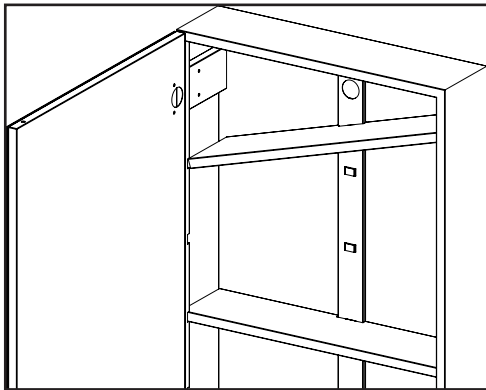


Image 1

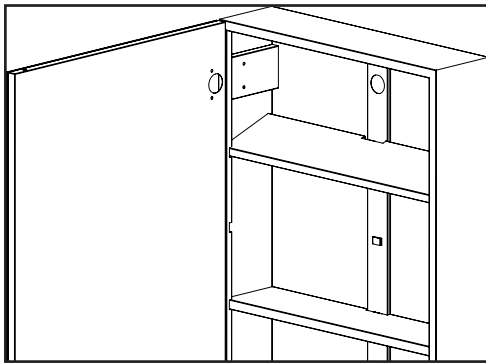
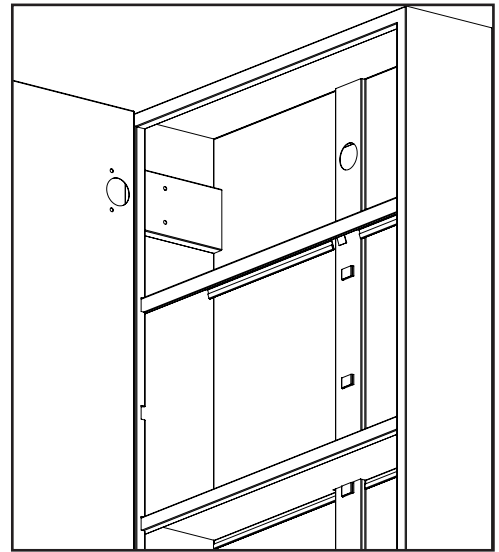


Image 2

12.



Assemble the shelf by inserting it into the carcass at an angle, (image 1) then locating the front edge into the side notches, (image 2). Push the tabs at the back of the shelf into the indentations on the back of the cabinet carcass to secure in place.



NOTE: WC4516## & WC4518## come supplied with one shelf only.



UK: Croydex, Central Way, Andover,
Hampshire, SP10 5AW, UK
EU: MIL, Unit 8 Purcellsinch Ind Est, Dublin
Road, Kilkenny, R95 HP71, Ireland



+44 (0) 1264 365881



info@croydex.co.uk

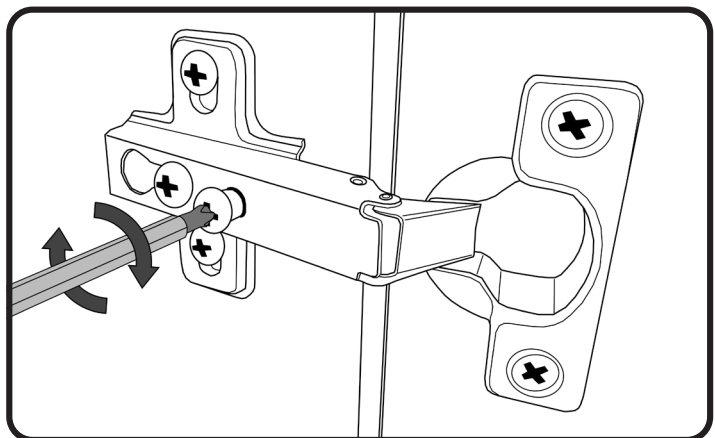
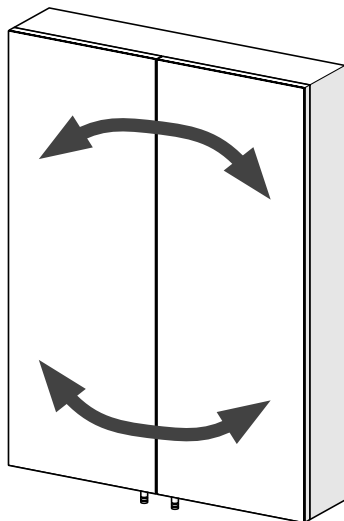
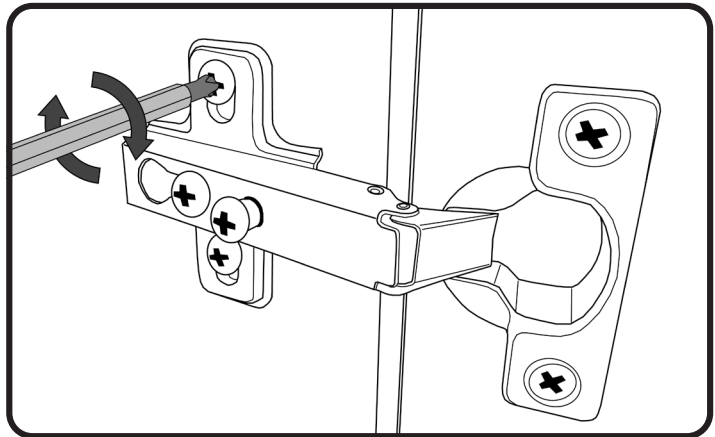
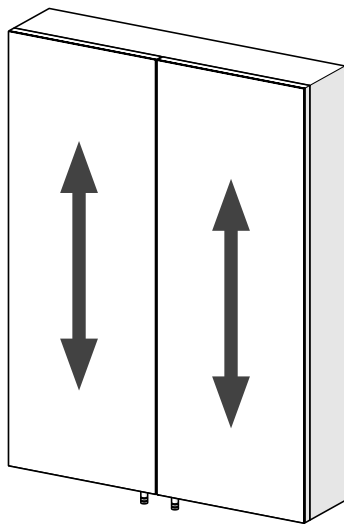
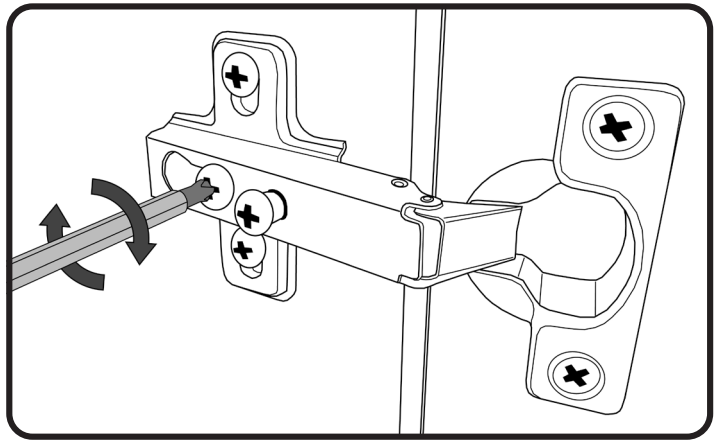
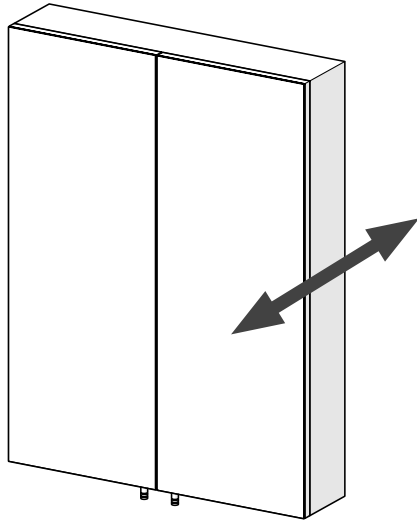


+44 (0) 1264 356437



www.croydex.com

13.



Croydex, Central Way, Andover,
Hampshire, SP10 5AW, UK



+44 (0) 1264 365881



+44 (0) 1264 356437



info@croydex.co.uk



www.croydex.com