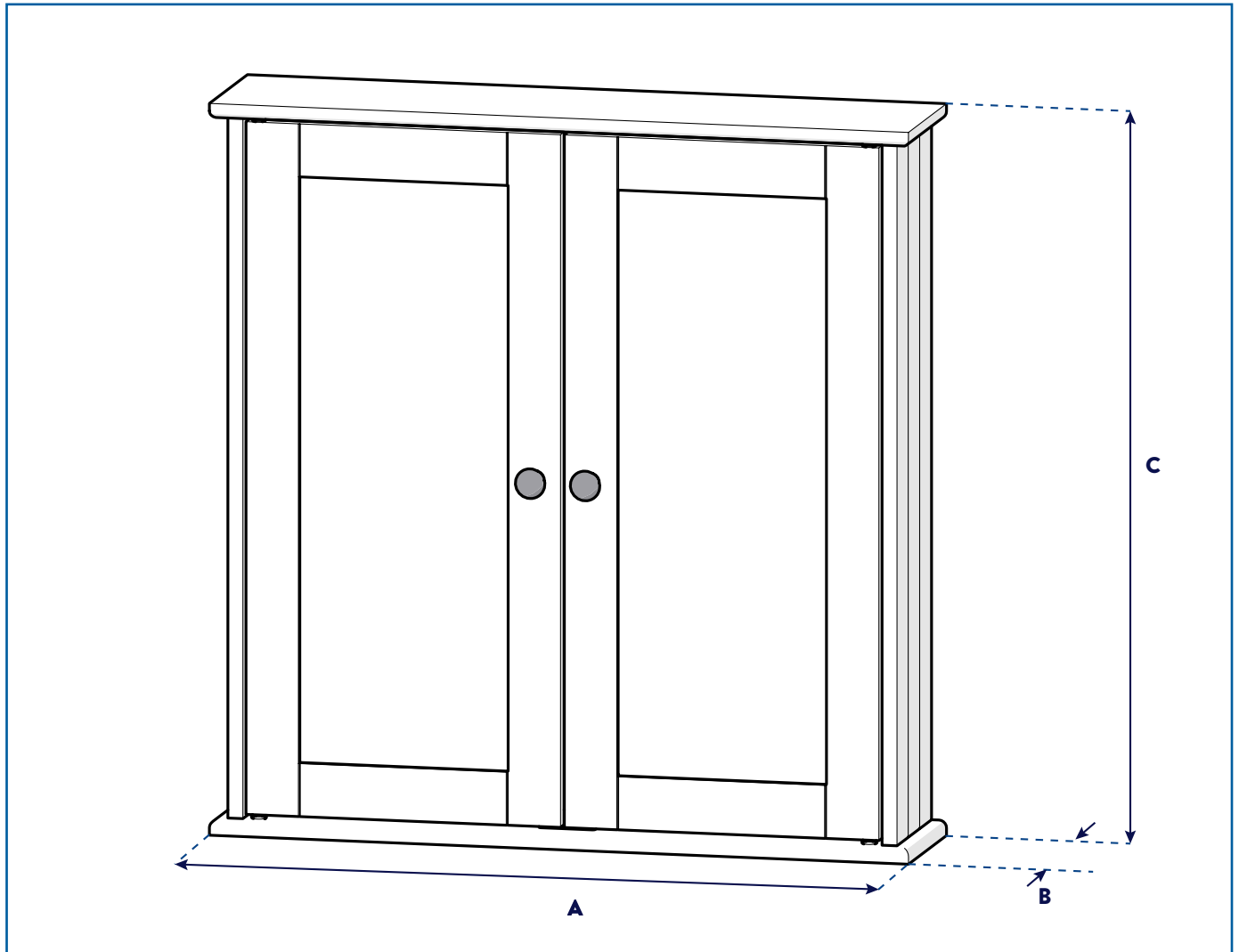


WC2800## ASHBY 2 DOOR CABINET



CONTACT DETAILS

Croydex
Central Way
Andover
Hampshire
SP10 5AW
UK

Tel: +44 (0)1264 365881
Email: info@croydex.co.uk

www.croydex.com

PRODUCT DIMENSIONS (SEE ABOVE)

A - 560MM
B - 130MM
C - 580MM

ALL ILLUSTRATIONS OF THE PRODUCT ARE FOR REFERENCE ONLY. COMPONENTS SUPPLIED WITH INDIVIDUAL PRODUCTS MAY DIFFER

ALL PRODUCT DIMENSIONS DETAILED IN THIS INSTALLATION AND MAINTENANCE MANUAL ARE APPROXIMATE

TABLE OF CONTENTS

SECTION	CONTENTS	PAGE
1	INTRODUCTION	2
2	PRE-INSTALLATION	3
3	CABINET ASSEMBLY	4 - 6
4	MOUNTING THE CABINET	7 - 8

SECTION 1 INTRODUCTION

Please follow all assembly and product care instructions to ensure that your product is assembled safely and retains it's high quality finish.

PLEASE RETAIN THIS MANUAL FOR FUTURE REFERENCE

SAFETY & PRODUCT CARE

- 1. ALWAYS** take care when using power tools, particularly if there is any water in the working area.
- 2. ALWAYS** wear eye protection when using power tools.
- 3. ALWAYS** check for pipes and cables before drilling into walls.
- 4. NEVER** use a hammer drill when drilling into tiled surfaces.
- 5. ALWAYS** use a drill bit that is suitable for the surface that is being drilled.
- 6.** The wall plugs supplied are for use on solid walls only. For cavity walls or plasterboard **ALWAYS** use specialist fixings that are suitable for the type of wall construction.
- 7.** Wall plugs should be inserted flush with wall surfaces. If fitting to a tiled surface, the wall plugs should be inserted below the surface of the tile to avoid cracking of the tiles.
- 8. DO NOT** slam the door open, as this may damage the hinge.
- 9. DO NOT** use power tools for assembling the product including power drills and power screwdrivers.
- 10. DO NOT** strike the product with hard or sharp objects.
- 11. DO NOT** use abrasive or chemical cleaners as these may damage the product.



SECTION 2 PRE-INSTALLATION

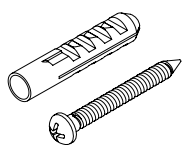
PRODUCT FITTING

IMPORTANT!

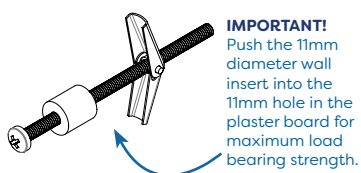
Before attempting to fit or use this product. Ensure that it can be properly installed in the location you wish it to be in. Refer to the product dimensions found on the front cover.

FIXING PACK

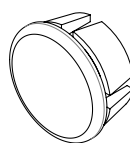
Wall Plug & Mounting Screw x4



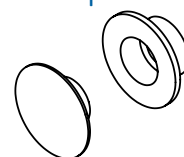
Toggle Bolt Wall Insert x4



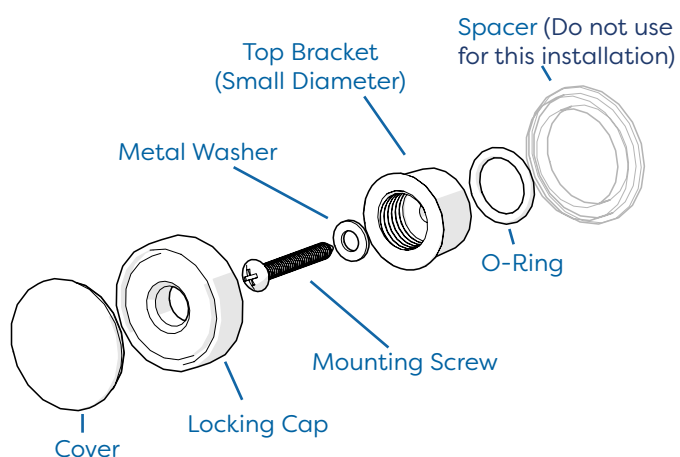
Hole Blanking Cap x2



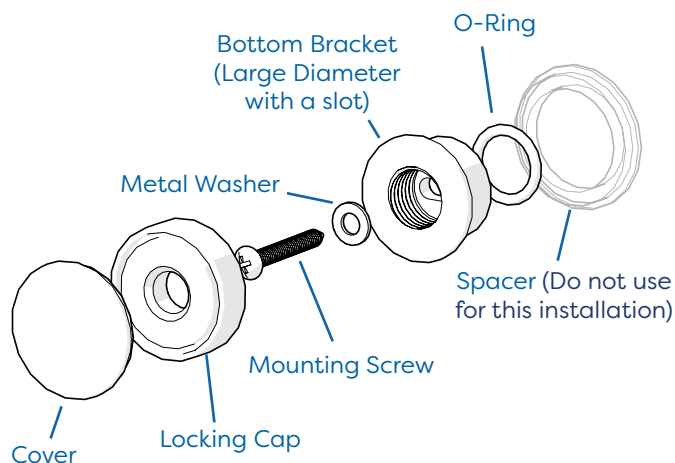
Top Hat Bracket & Cap x2



Top Bracket Mounting Components



Bottom Bracket Mounting Components



IMPORTANT! THE SPACER MOULDING IS NOT REQUIRED WITH THIS CABINET

CABINET ASSEMBLY KIT



x2 M3 x 13mm Countersunk Screw



x2 M3 x 9mm Countersunk Screw

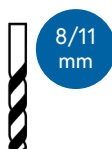


x2 M4 x 19mm Pan head machine Screw



x1 Wood Adhesive

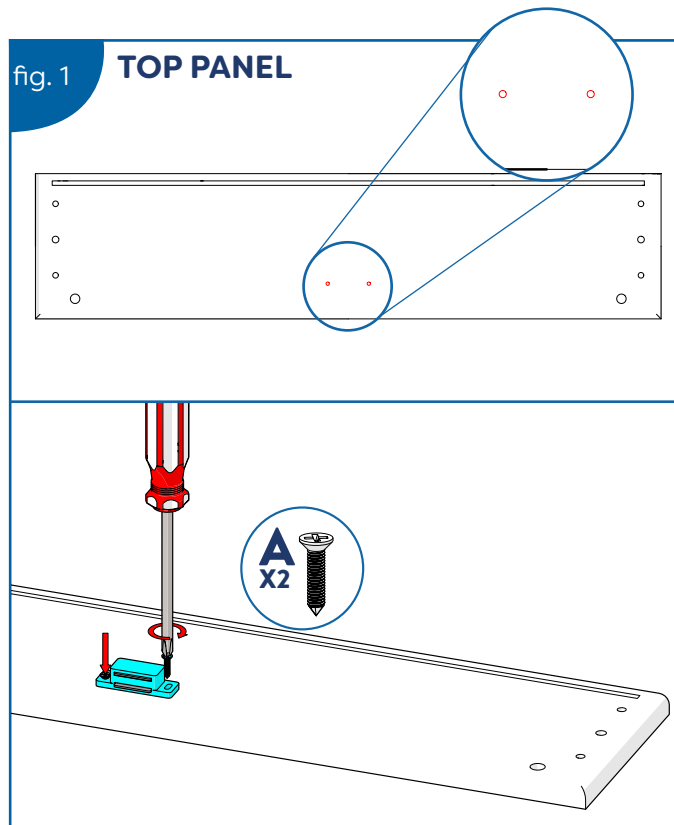
TOOLS REQUIRED



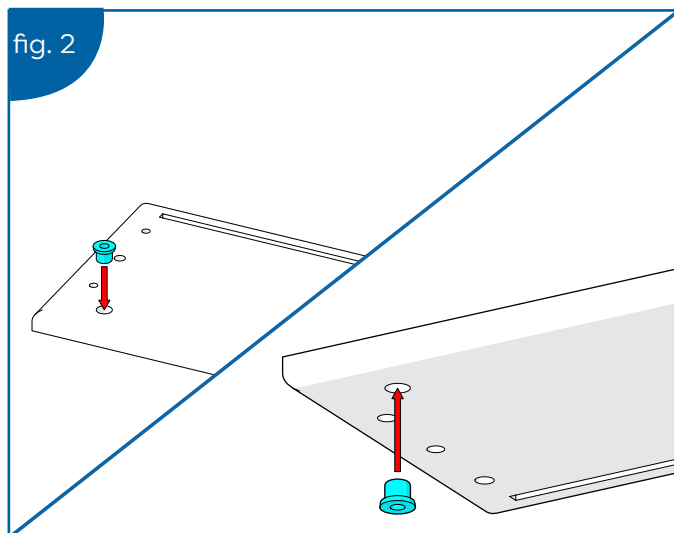
SECTION 3 - CABINET ASSEMBLY

ATTACHING COMPONENTS

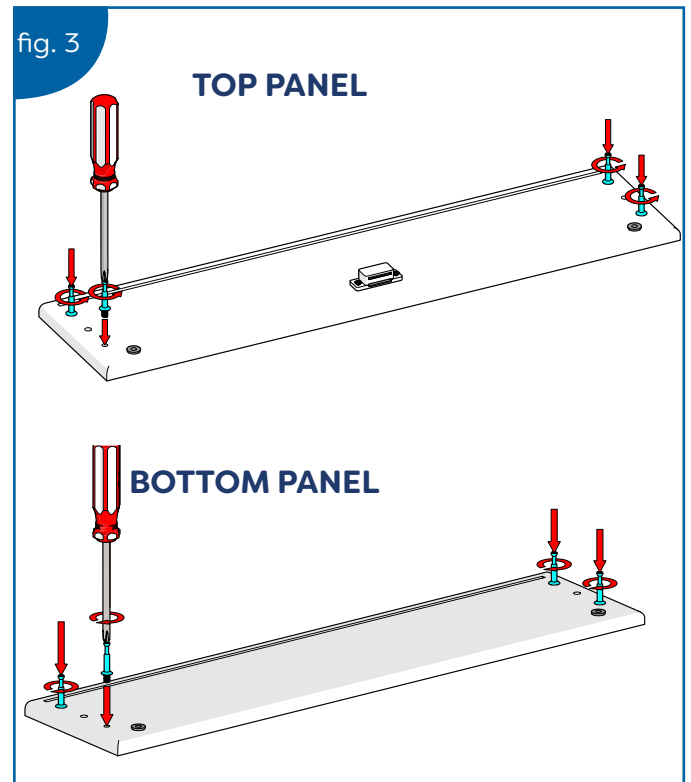
1. Identify the top panel of the cabinet with this pair of mounting holes for the magnetic door catch. Using the two screws **(A)**, mount the magnetic door catch to the top panel. (See Fig. 1)



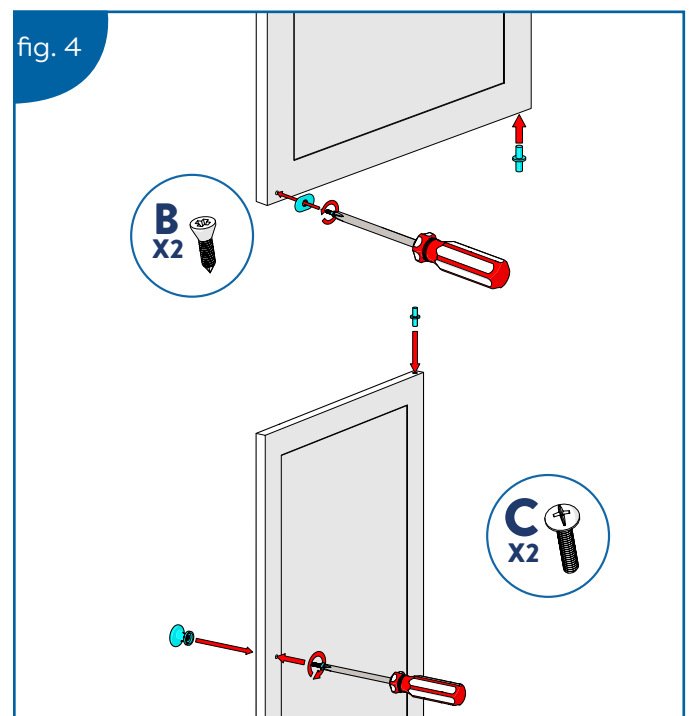
2. Insert the 4 door pivot bushings into both the top and bottom panel of the cabinet as shown. (See Fig. 2)



3. Screw in all 8 cam locking pins. 4 into the bottom panel, 4 into the top panel. (See Fig. 3)

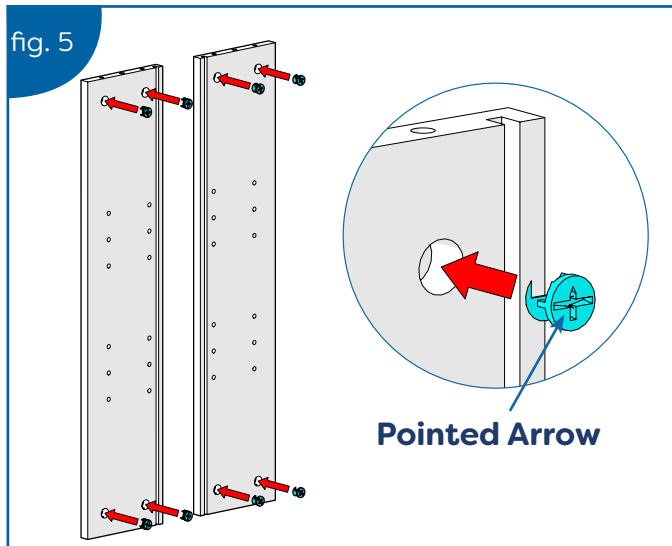


4. Insert a hinge pin into the hole at the top and bottom of both doors. Attach the magnetic door plates with the screws **(B)**. Then attach the door knobs using the screws **(C)**. (See Fig. 4)



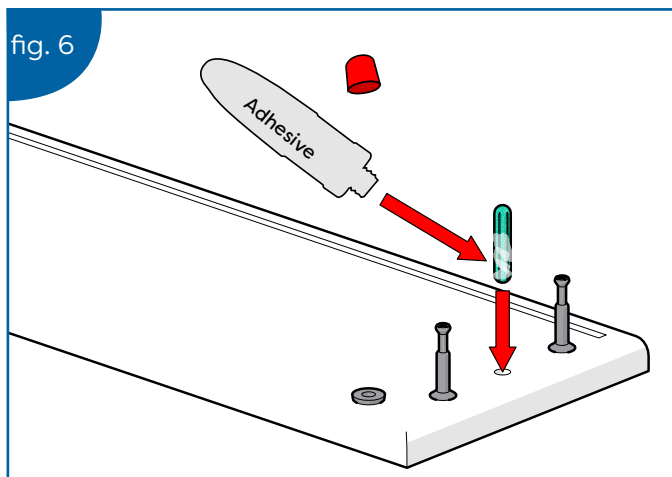
SECTION 3 - CABINET ASSEMBLY

5. Insert 4 cam locks into the recesses in each side of the cabinet. Ensure the pointed arrow is facing the ends of the panel as shown. (See Fig. 5)

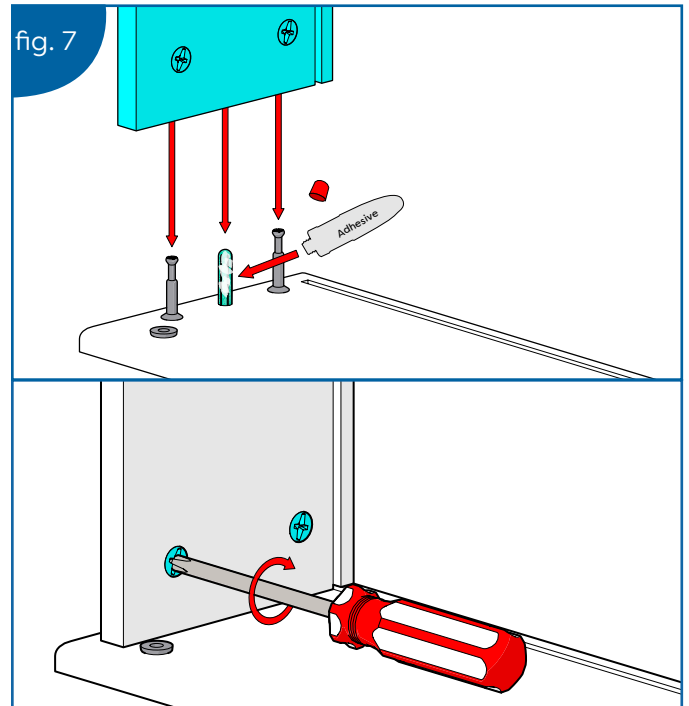


ASSEMBLING THE CABINET

6. Apply the adhesive (D) to one half of each dowel, then press firmly into the each of the two holes in the bottom panel. Repeat this for the two holes in the top panel. (See Fig. 6)

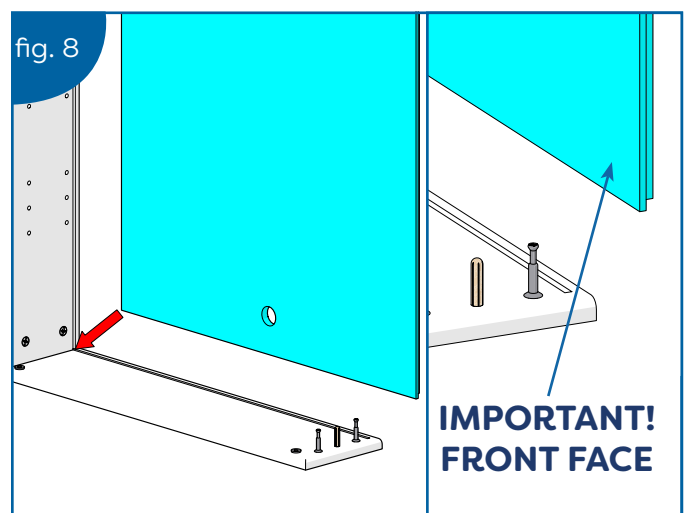


7. Apply adhesive (D) to the top half of the dowel on the left hand side of the bottom panel. Insert the left hand panel down onto the bottom panel, ensuring that it is flush with the bottom. Then tighten the locking cams clockwise to secure in place. **DO NOT OVERTIGHTEN!** Wipe away any excess adhesive. (See Fig. 7)



8. Insert the back panel ensuring it sits in the recesses properly.

IMPORTANT: Ensure the back panel is facing the correct direction. The larger face should be facing the front of the cabinet. (See Fig. 8)

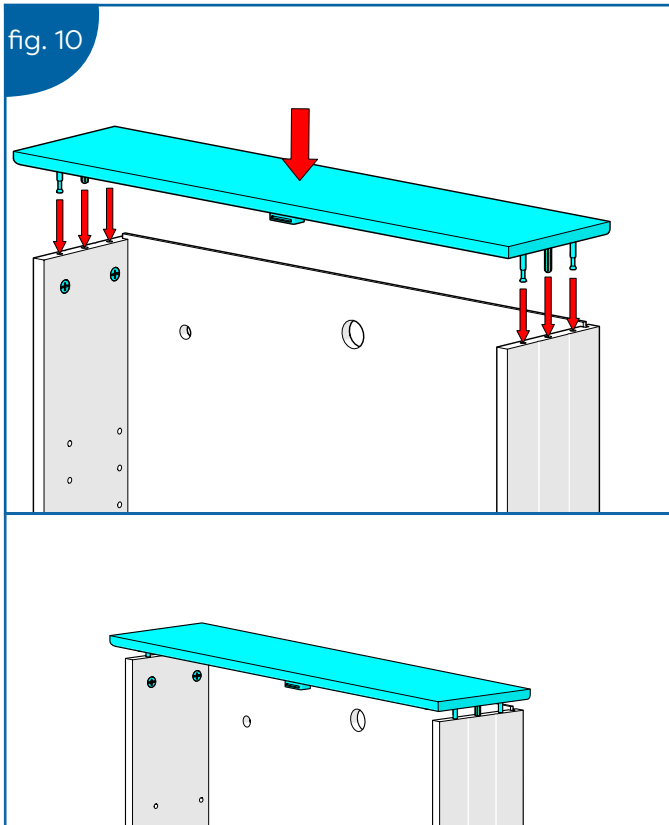


9. Repeat step 7 for the right hand panel, ensure that it slots together with the back panel. (See Fig. 7)

SECTION 3 - CABINET ASSEMBLY

10. Apply adhesive to the top half of both dowels on the top panel. Locate the top panel onto the side panels via the dowels and cam locking pins and press down until the top panel sits half way down on the cam locking pins.

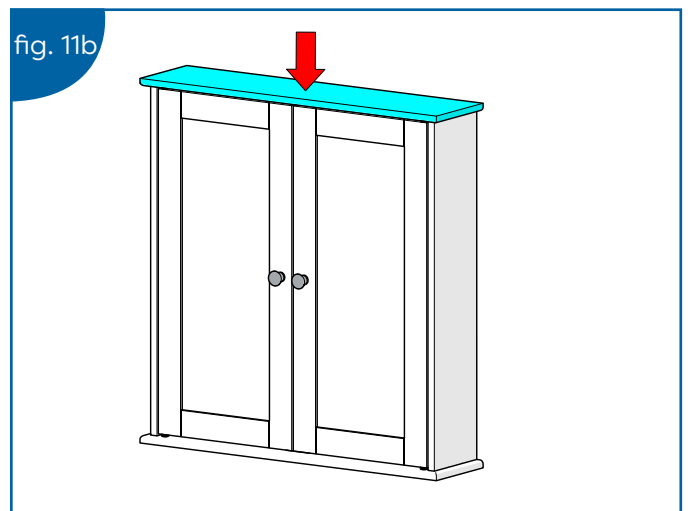
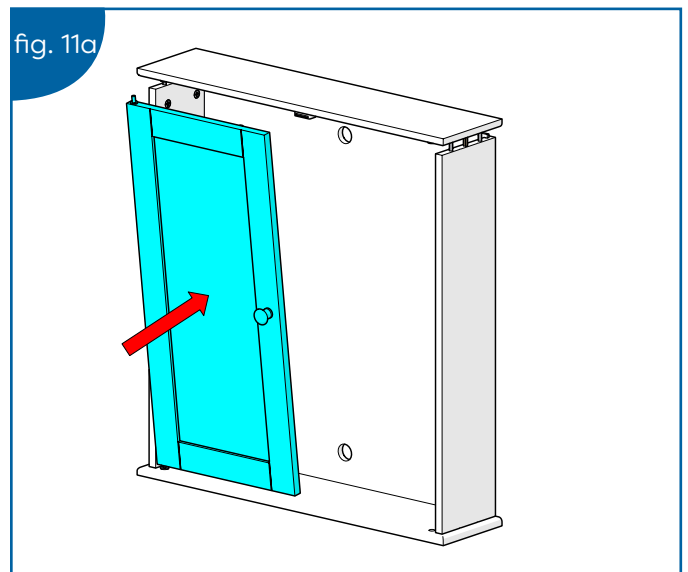
(See Fig. 10)



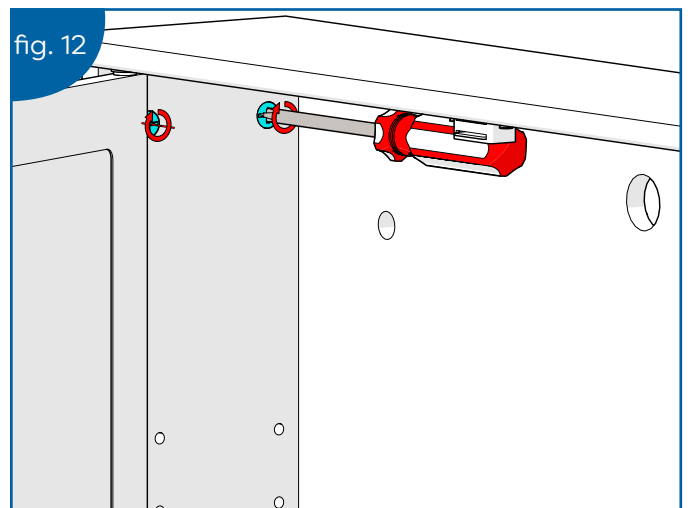
11. Identify the left hand door. To help with this - take note of the location on the door of the magnetic door plate. It must contact the magnetic door catch when the door swings closed. Then insert the door so that the hinge pins sit inside the top and bottom bushings.

Repeat this for the right hand door. Once both doors are in place. Push the top panel all the way down until it sits flush. Wipe away any excess adhesive.

(See Fig. 11a & Fig. 11b)



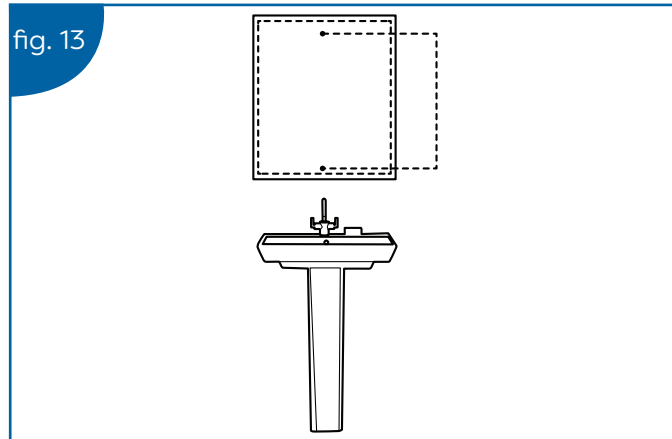
12. Tighten all four top locking cams. **DO NOT OVERTIGHTEN!** Wipe away any excess adhesive. **(See Fig. 12)**



SECTION 4 - MOUNTING THE CABINET

13. Place the cabinet in the desired position on the wall and mark the position of the top mounting hole.

(See Fig. 13)



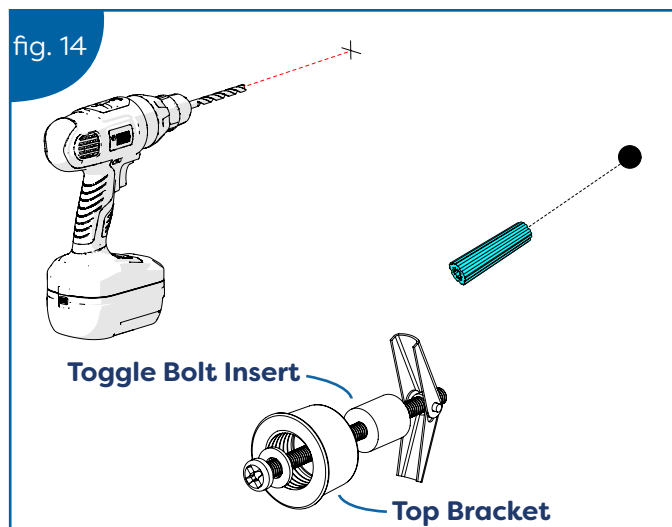
14. Drill an 8mm hole in the marked position. Then insert the wall plug **flush** to the surface of the wall. If fitting to a tiled surface, the wall plug should be inserted **below the surface** of the tile to avoid cracking.

For cavity walls drill an 11mm diameter hole and assemble the top bracket and metal washer onto the toggle bolt as shown. Ensure the 11mm diameter toggle bolt insert is pushed into the hole in the plaster board wall for maximum strength.

IMPORTANT!

If the wall plugs are not inserted flush with the wall surface, the O-ring will not contact the wall correctly. This will prevent the bracket from functioning properly.

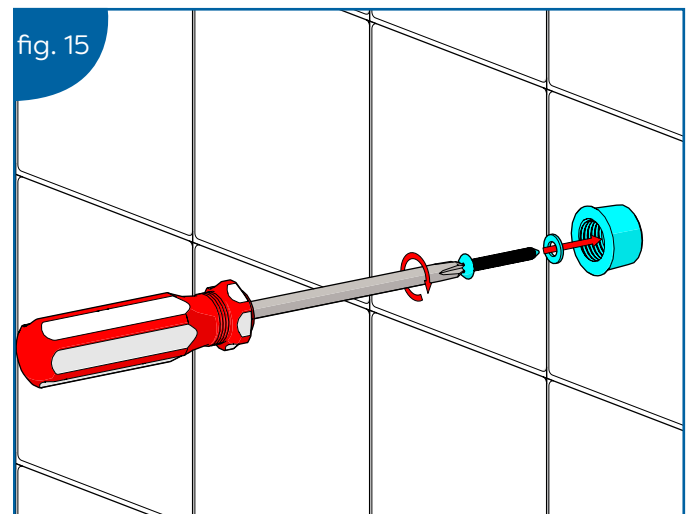
(See Fig. 14)



15. Fasten the top bracket to the wall **ensuring** the O-ring is correctly seated at the back of the bracket. **DO NOT OVERTIGHTEN.** (This image shows the solid wall installation.)

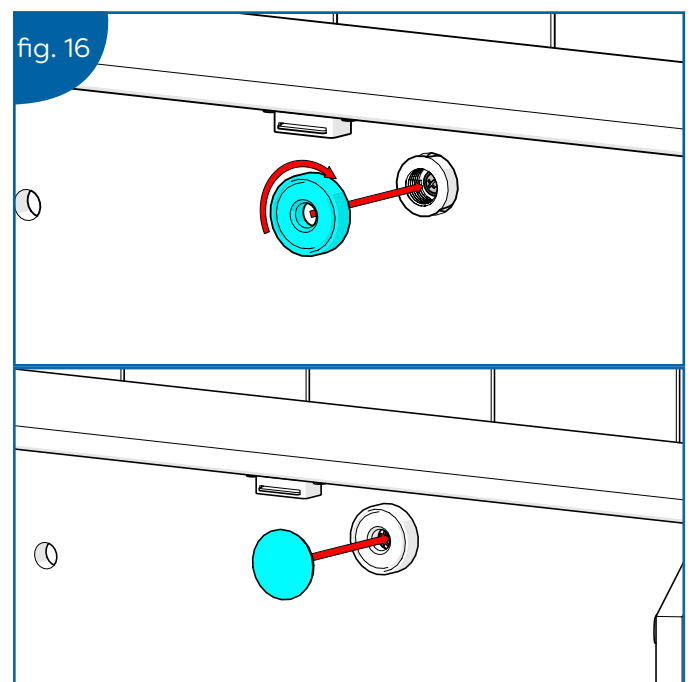
IMPORTANT: The top bracket has a smaller diameter outer flange to the bottom bracket.

(See Fig. 15)



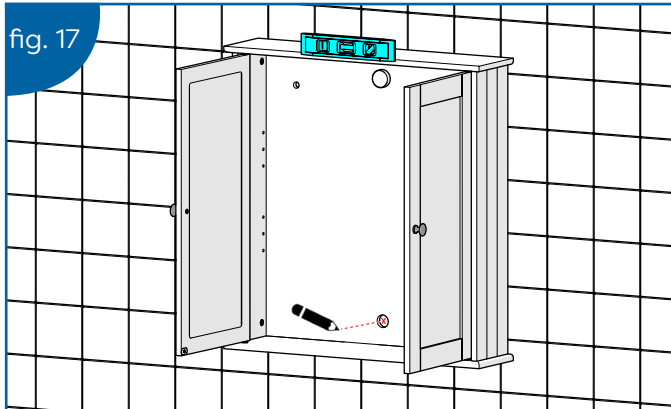
16. Hang the cabinet onto the top wall bracket and secure in place by screwing the locking cap onto the top bracket. Then, place the cover onto the locking cap.

(See Fig. 16)



SECTION 4 - MOUNTING THE CABINET

17. Using a spirit level, adjust the cabinet so that it is level. Once level, accurately mark a hole in the centre of the bottom fixing hole using the bottom bracket as a guide. (See Fig. 17)

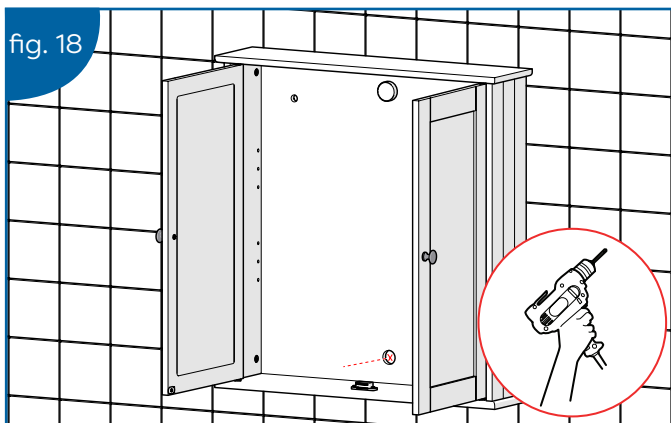


18. Drill an 8mm hole in the marked position. Then insert the wall plug flush to the surface of the wall. If fitting to a tiled surface, the wall plug should be inserted **below the surface** of the tile to avoid cracking.

For cavity walls drill an 11mm diameter hole and assemble the bottom bracket and metal washer onto the toggle bolt as shown. Ensure the 11mm diameter toggle bolt insert is pushed into the hole in the plaster board wall for maximum strength.

IMPORTANT!

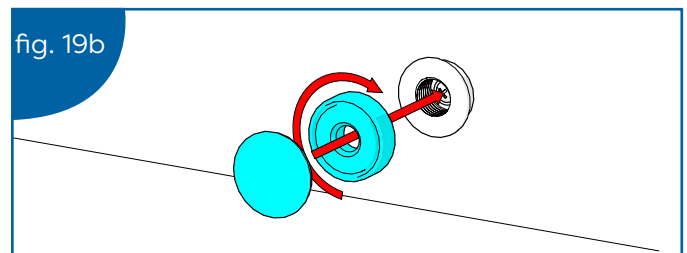
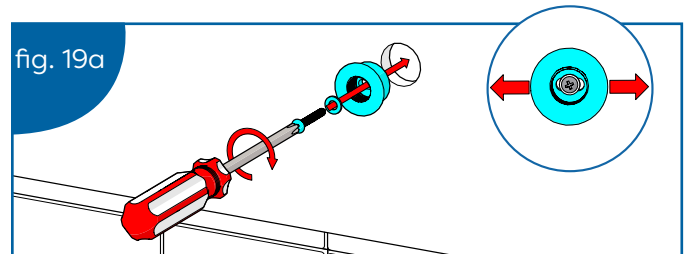
If the wall plugs are not inserted flush with the wall surface, the O-ring will not contact the wall correctly. This will prevent the bracket from functioning properly.



19. Screw the bottom bracket in position as shown and check that the cabinet is level. If the cabinet is not level, loosen the screw and adjust the cabinet until it is level. The slot will allow...

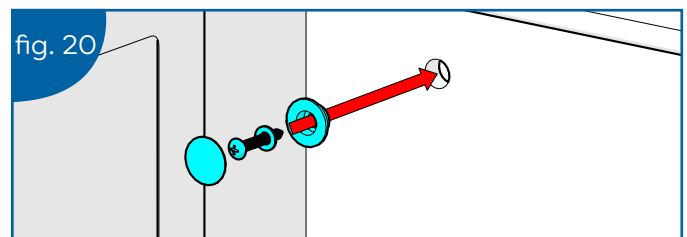
for adjustment. Once level, re-tighten the screw. Then screw the locking cap to the bottom bracket and fit the cover.

(See Fig. 19a & 19b)



20. Additional top fixings are supplied if required and these can be fixed with wall plugs or toggle bolts.

(See Fig. 20)



21. Assemble the shelf supports and shelf in the desired position.

(See Fig. 21)

