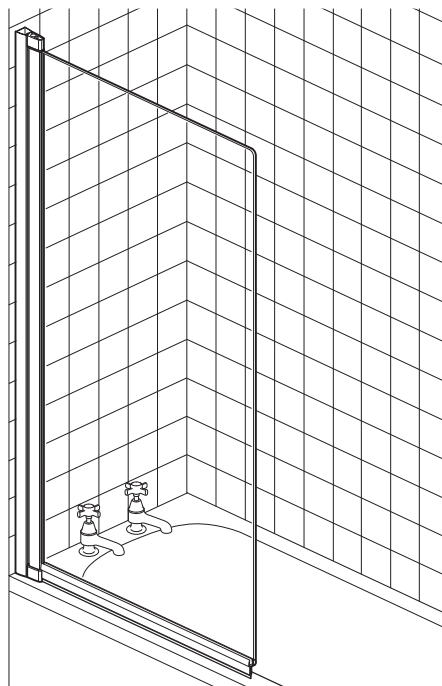


# GB BATHSCREEN



**Please read these instructions carefully and keep for future reference.  
Incorrect fitting will invalidate the guarantee.**

## SAFETY

- Handle glass with great care. Although the glass is very tough, sharp impacts can damage the bathscreen.
- Make sure there are no hidden pipes or cables hidden in the wall where you intend to drill.
- Wear safety goggles, shoes and appropriate clothing.
- If you have long hair, tie it back out of the way.

## BEFORE INSTALLATION

- Check the bath is perfectly level and does not sag or bow when you stand or sit in it.
- The bathscreen must only be fitted on water proof walls i.e. tiled walls which are sealed with waterproof grout.
- Check that the bath has a flat top edge with no protruding handles.
- Always check very carefully that components are vertical.
- Please correctly dispose of packaging properly after installation.

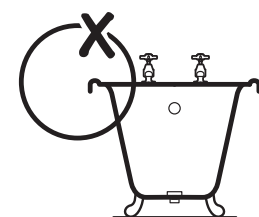
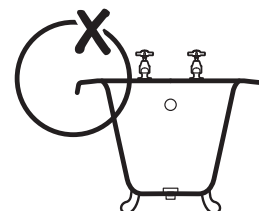
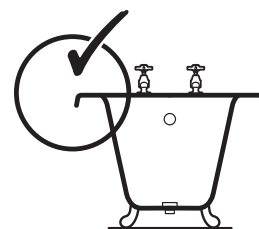
### Equipment needed:

Drill, 6.5mm Masonry Bit, Crosshead Screwdriver, Spirit Level, Pencil, Silicone Sealant, Tape Measure, Masking Tape.

**Note:** The screws and wall plugs supplied are for masonry walls. For lightweight walls i.e. stud partition, plasterboard etc, use the correct type of fixings.

## IMPORTANT

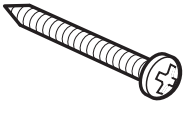
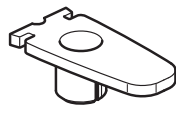
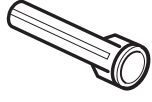
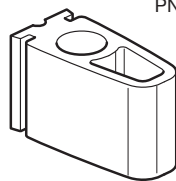

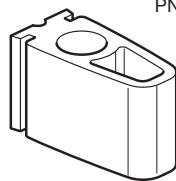
Bathscreens should not be fitted to drop-fronted baths or baths with lipped fronts (see diagrams below).

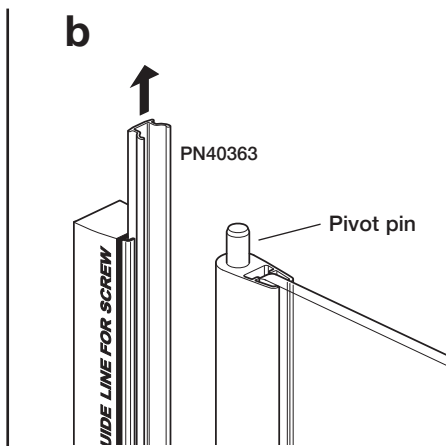
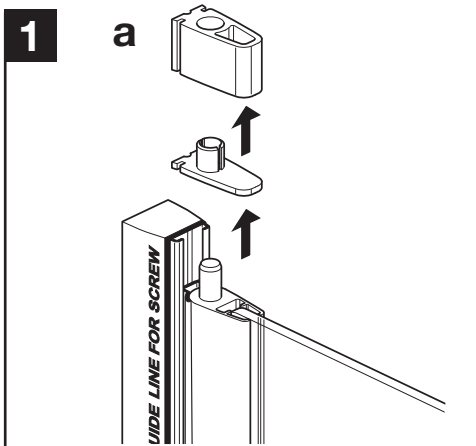
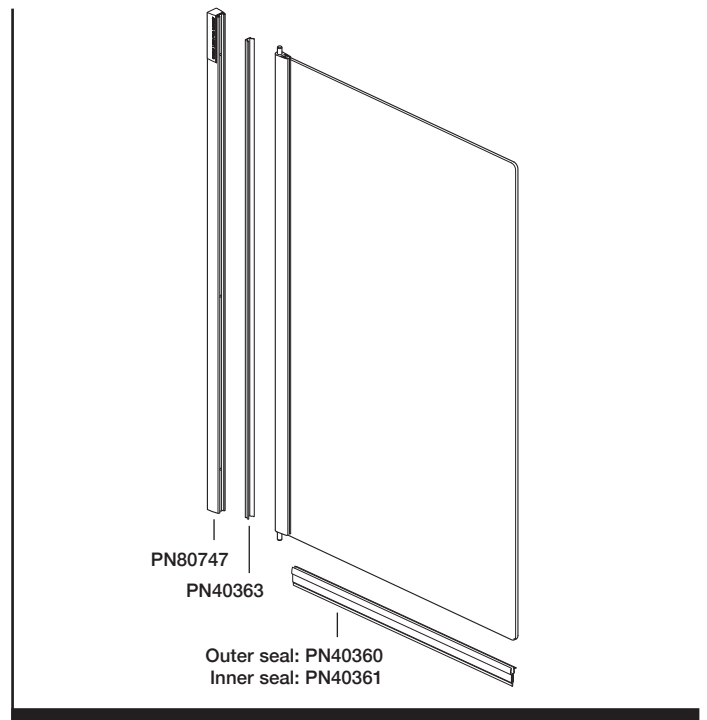


**CUSTOMER CARELINE 01746 713410**

Check contents of pack before installation.  
If there is anything missing, contact our Customer Careline for assistance.

**CUSTOMER CARELINE: 01746 713410**

 PN8203 32mm 3	 PN50531 2
 PN3230 Wall plug 3	 Pivot bush PN11237 2
 PN3222 10mm 2	 Pivot block 2

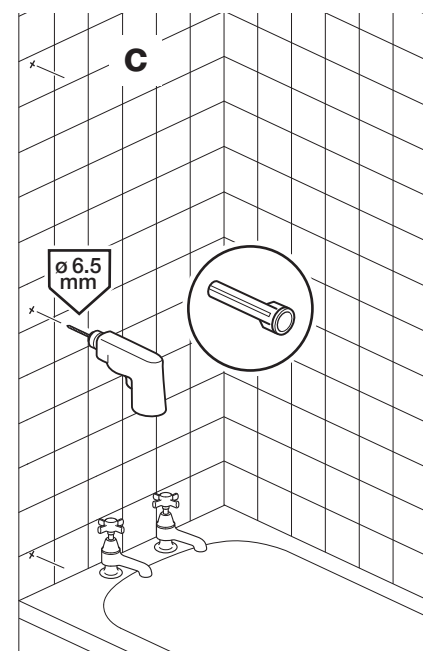
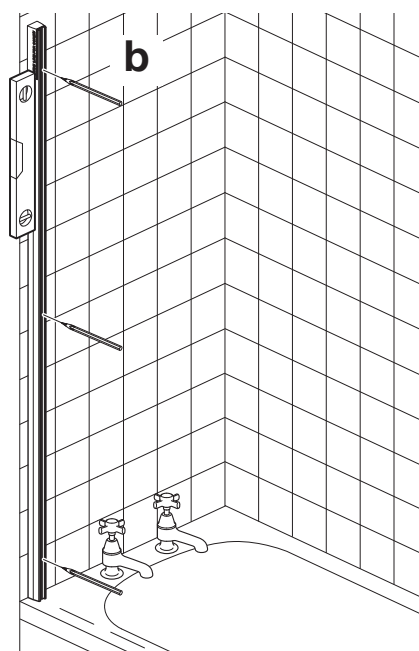
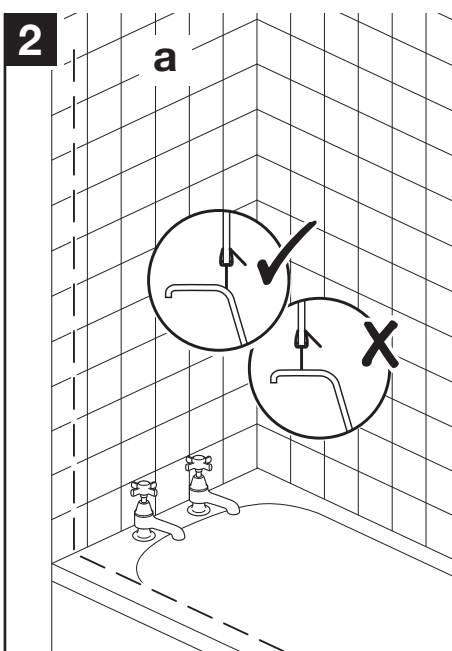


For protection during packaging and transport the panel has been partly assembled.

To disassemble, carefully slide off the top and bottom Pivot blocks (PN11237) and Pivot bushes (PN50531).

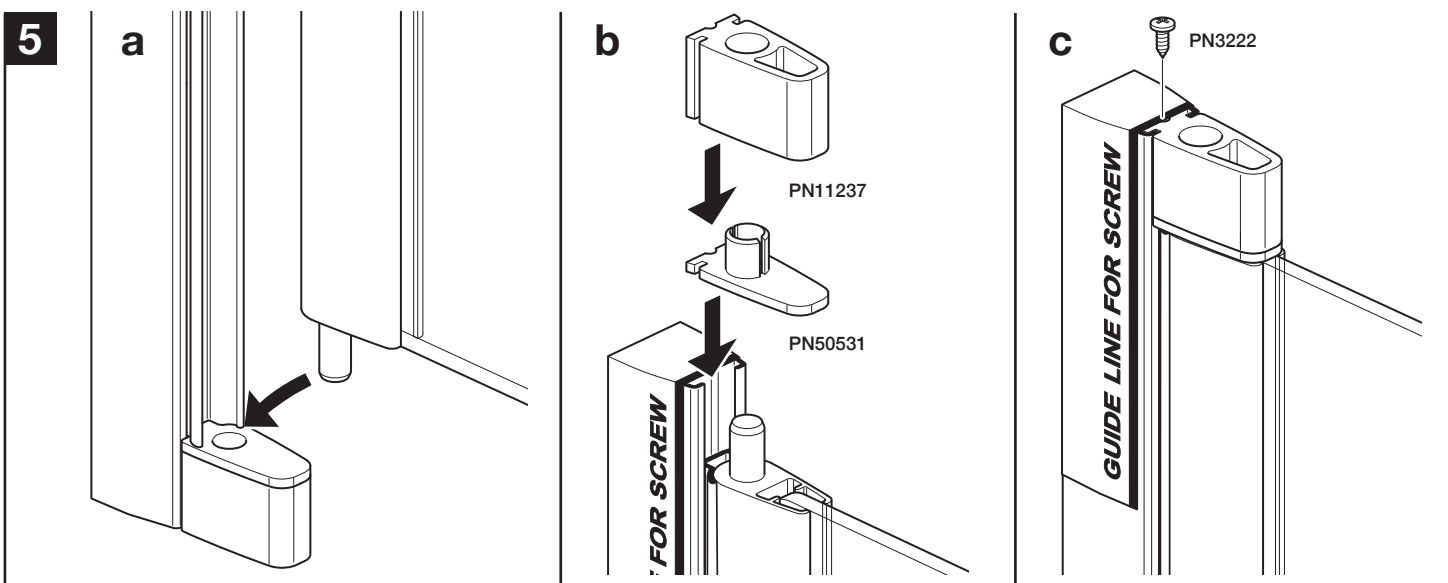
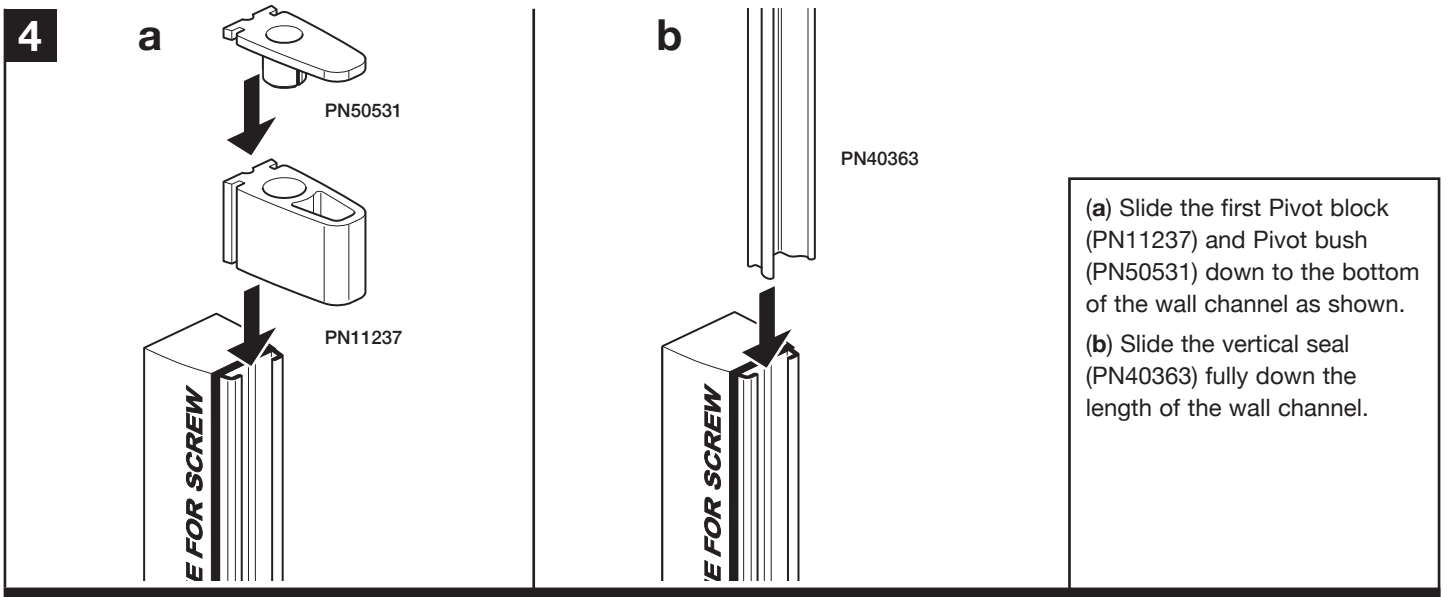
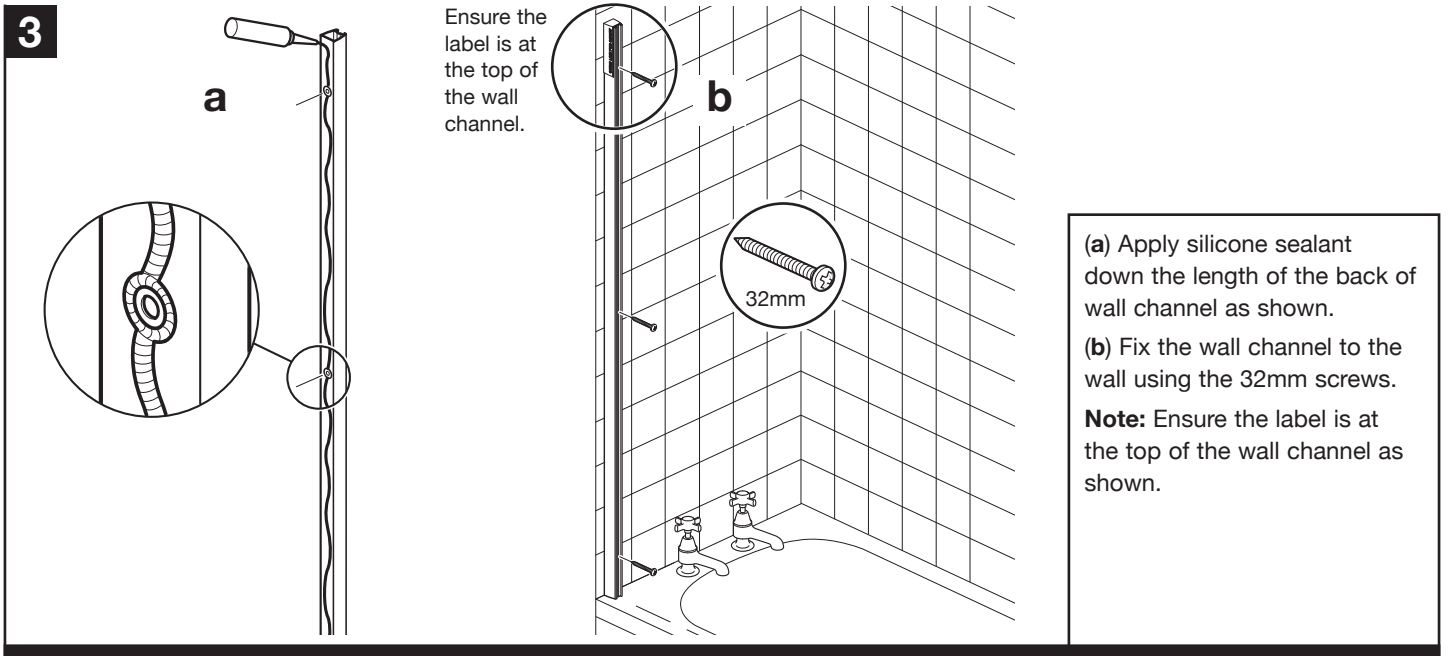
Remove the Seal (PN40363) from the Wall channel (PN80747).

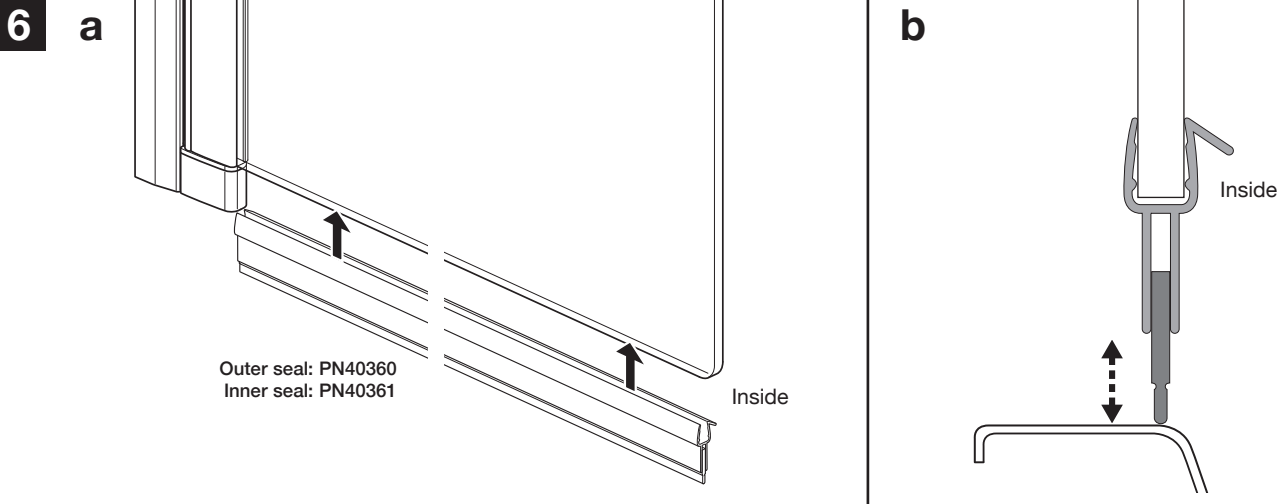
**Important:** Do not stand the panel on the pivot pins, as this may damage the pins.



**(a) Position the bathscreen so that it rests along the inner edge of the bath rim.**

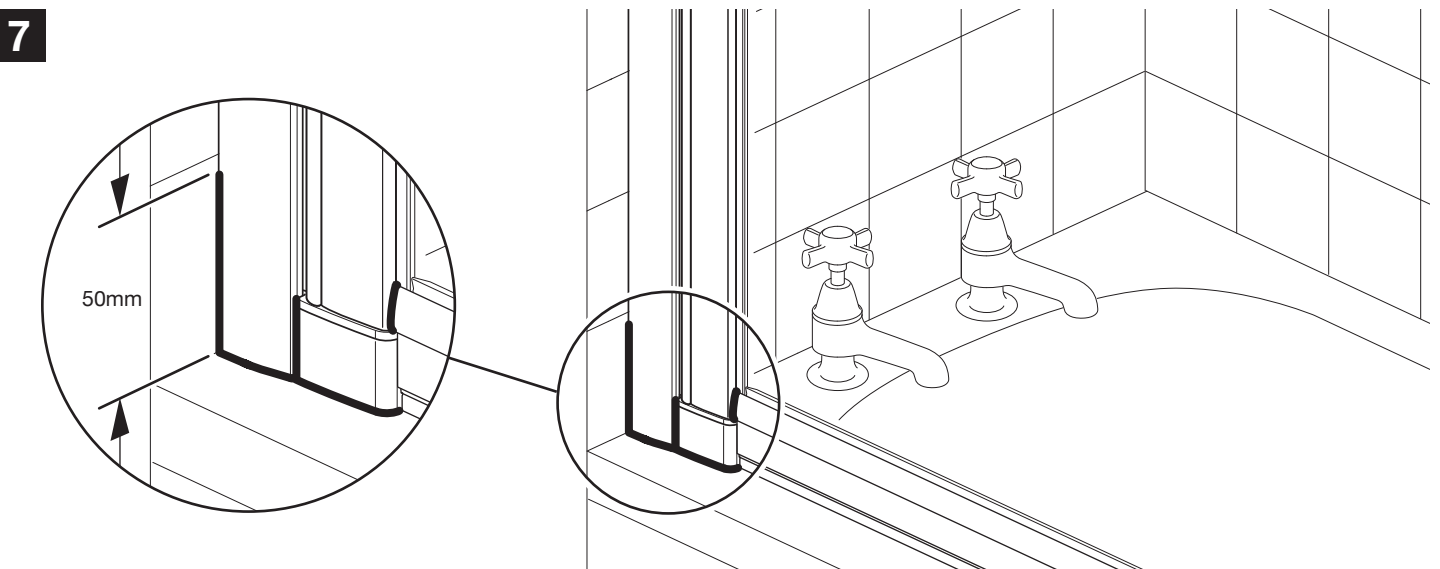
**(b) Position the wall channel, ensure it is perfectly vertical and mark off the drill hole positions against the wall. Place masking tape against the wall before you mark hole positions. (c) Drill 6.5mm holes to a depth of 30mm. Insert wall plugs.**





(a) Fit the bottom seal (Outer seal: PN40360, Inner seal: PN40361) to the screen ensuring the seal is pushed fully up against the screen vertical and with the angled flap on the inside.

(b) With the screen in position, adjust the Inner seal so that it makes even contact along the full length of the bath rim.



Apply silicone sealant to the outside of the bathscreen where shown.

**DO NOT** apply silicone sealant to the inside face of the bathscreen.

**IMPORTANT: You must not move or use the bathscreen or shower for 24 hours after installation to allow the silicone sealant to fully dry.**

### Recycling

**Packaging:-** The cardboard and polythene parts of this packaging can be recycled.

**End of life:-** This product contains materials such as aluminium and glass which can be recycled.

Please contact your local authority to find your nearest recycling centre.

### CARE AND MAINTENANCE

**IMPORTANT: You must not use the bath or shower for 24 hours after installation of the bathscreen.**

**DO NOT** use bleach, scouring powders, solvents or other aggressive cleaning agents. ● To clean, use warm soapy water and a clean cloth and rinse off. ● **DO NOT** apply weight or pressure to the bathscreen. ● Periodically check all fixings and fittings and tighten if necessary.

### CORAM SHOWERS LTD

Stanmore Industrial Estate, Bridgnorth, Shropshire WV15 5HP, UK • Tel: 01746 766466 • Fax: 01746 764140 • www.coram.co.uk

## **Check out our full range of Shower Enclosures**

Quadrant Shower Enclosures

Corner Entry Shower Enclosures

Walk in Shower Enclosures

Sliding Shower Doors

Bifold Shower Doors

Pivot Shower Doors

Hinged Shower Doors

Shower Screens

## **From Top Brands**

Coram Shower Enclosures

Mira Shower Enclosures

Hydrolux Shower Enclosures

Diamond Shower Enclosures

## **With quality shower trays to match your enclosure**

Square Shower Trays

Rectangular Shower Trays

Quadrant Shower Trays

Coram Shower Trays

Mira Flight Shower Trays

**plumbworld**  
**Big brands, small prices.**