

# CORATECH® SHOWERTRAY

900 x 760 / 760 / 800 / 900 SHOWERTRAY

Please read these instructions carefully and keep for future reference. Incorrect fitting will invalidate the guarantee.

Check contents of pack before installation. If there is anything missing, contact our Customer Careline for assistance: 01746 713410

### SAFETY

- Make sure there are no hidden pipes or cables in the floor or walls where you intend to drill.
- Wear safety goggles, shoes and appropriate clothing.

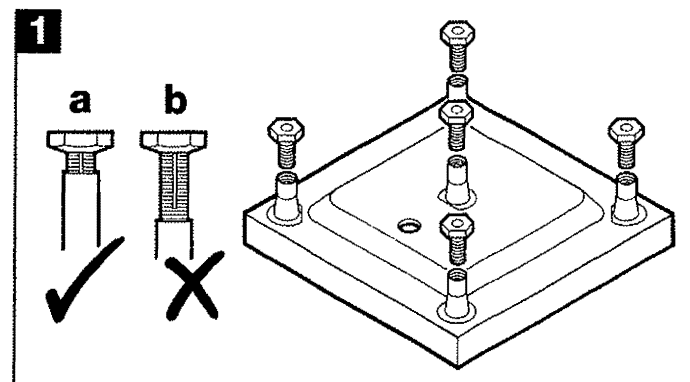
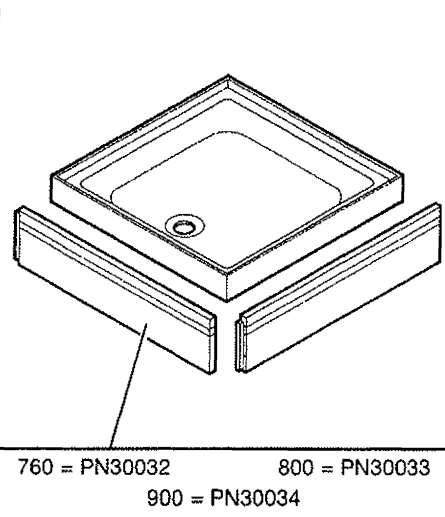
### EQUIPMENT NEEDED

Crosshead Screwdriver, Spirit Level, Pencil, Fine Tooth Saw, Ruler, Masking Tape, Silicone Sealant.

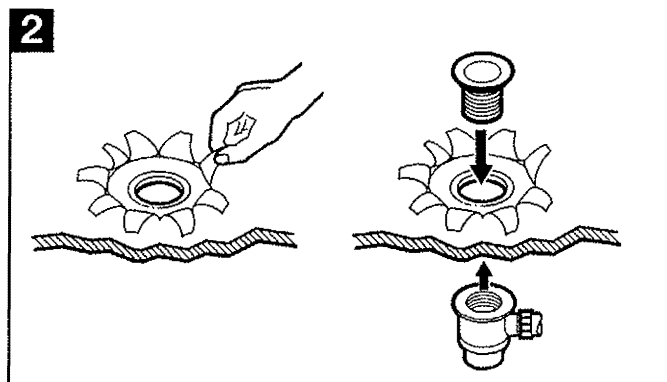
### FINISHING

- Once fitted the showertray must be tiled in place.
- Acrylic sealants, plumbers putty or mastic will damage the surface of the showertray.

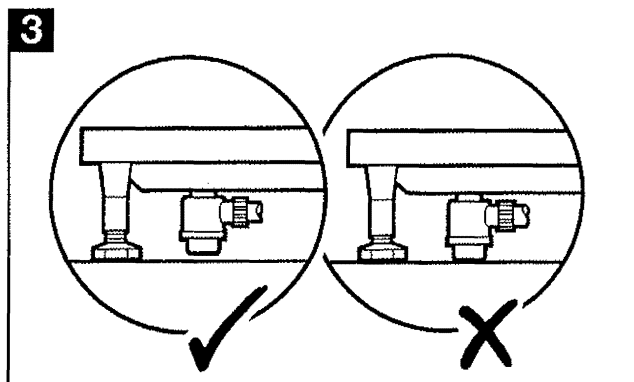
	PN60138	8
	16mm PN60139	6
	32mm PN50193	5
	PN50237	4
	PN60171	1
		4 Upstands
		2
		3 Upstands



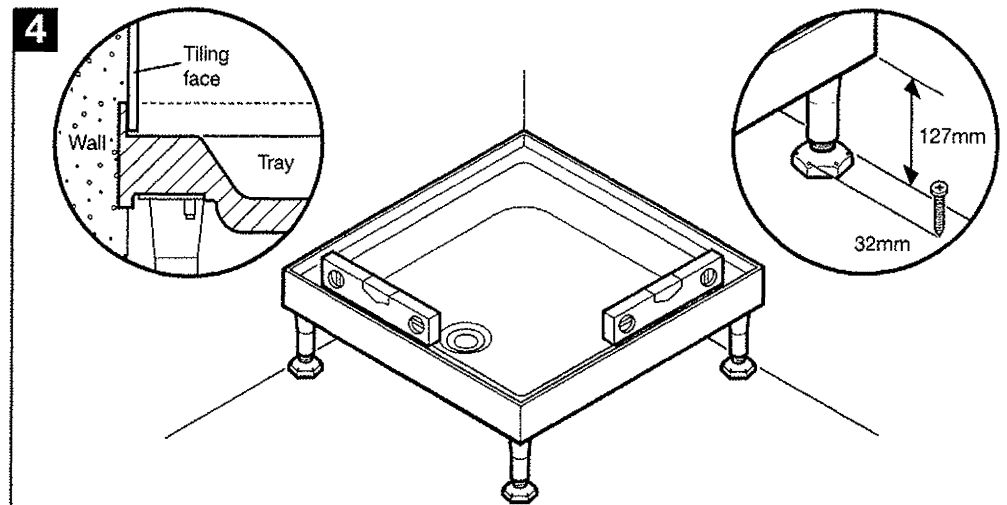
**Fit ALL legs, including the centre leg.**  
**NOTE:** The legs must be screwed in far enough that the end of the groove on the leg is **NOT** visible (a).



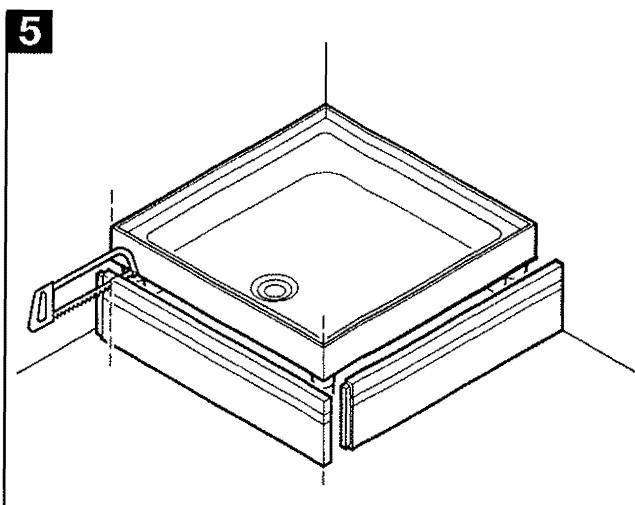
Peel back protective film from waste hole inside the tray and fit waste outlet. Fit the waste and trap as per the manufacturers instruction. **Do not apply any sealant to the underside of the tray as this will invalidate the guarantee.**



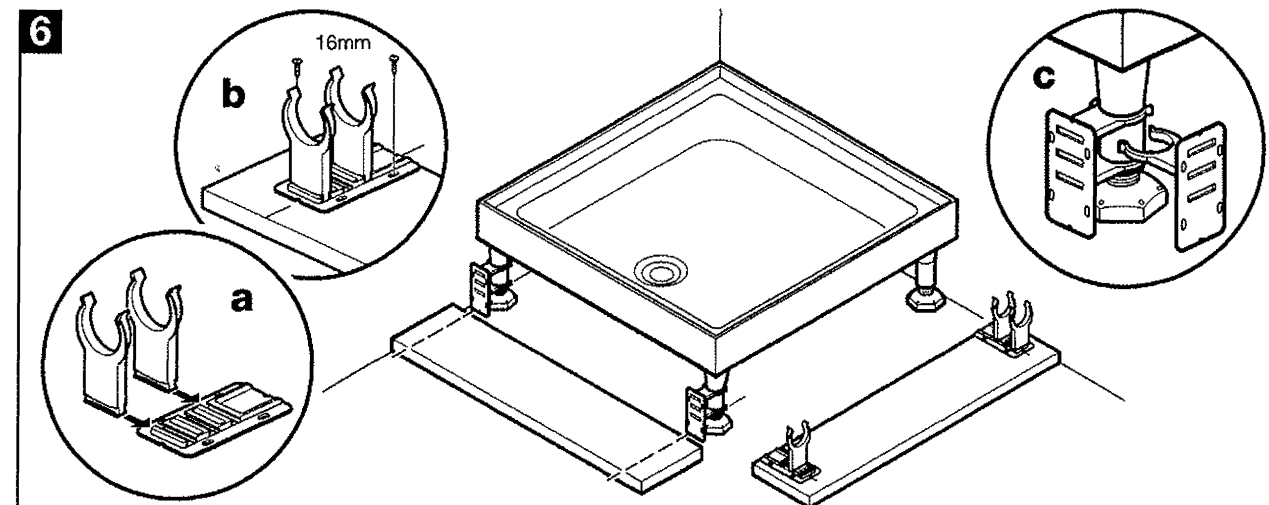
Place the tray in position and fit waste pipe. Make sure pipe work is clear of floor when standing in the tray. If necessary cut a hole in the floor to provide adequate clearance.



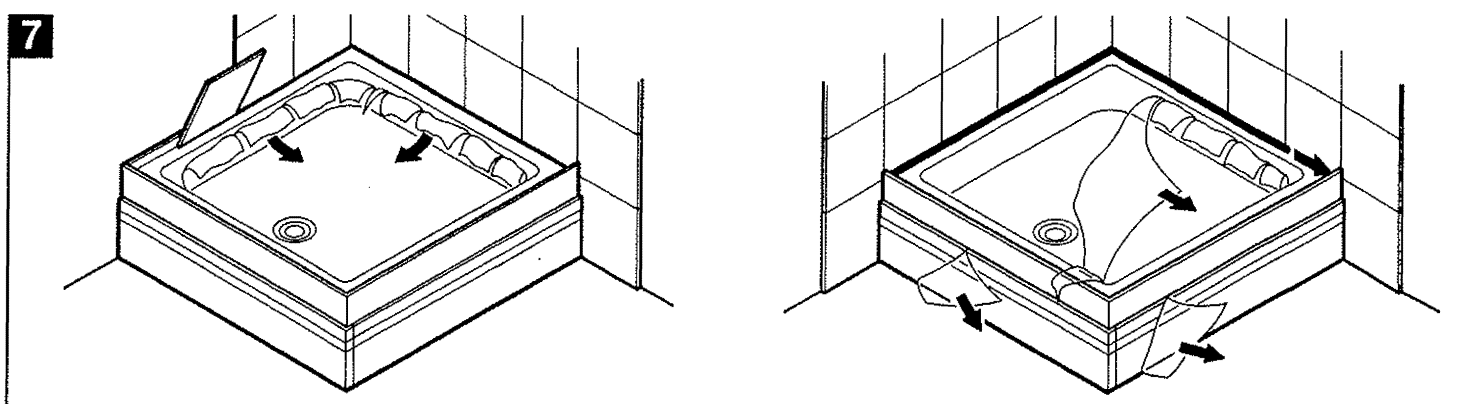
Ensure the tiling upstands are either recessed into the wall or boarded over so the tiling face is flush with the edge shown in the diagram. Adjust legs where necessary. Check tray is level in all directions (there is a built in fall on the tray for water drainage). Ensure all legs are wound down tight to the floor. Fix legs to the floor using 32mm screws, where accessible.



If necessary, carefully cut the outside edges of the panel/s to fit.



(a) Separate and assemble the panel brackets. Push fit the panel brackets onto the legs, align panel/s up with the brackets and mark the centre line of the brackets onto the back of the panel/s.  
 (b) Fix panel brackets flush with the bottom of the panel/s using 16mm screws.  
 (c) **Corner leg:** Panel brackets must be fitted to panel/s so they are staggered and do not clash with each other when fitted to the legs. To do this use only one clip inserted into the centre slot of one of the base plates. Push fit panel/s into place.



Peel back protective film from back edges of tray. **Tile over the upstands. Seal the wall edges of tray with silicone sealant.** When the final installation of the enclosure is complete, remove the remaining protective film.

### IMPORTANT

You must not use or work on the showertray for 24 hours after installation.  
**DO NOT** use bleach, scouring powders, solvents or other aggressive cleaning agents. To clean, use warm soapy water and a clean cloth and rinse off.  
**NOTE:** The tray should be inspected six months after installation, check for any floor movement. If necessary adjust all the legs to ensure they are resting on the floor.  
 Sealant should **ONLY** be applied to the surface of the tray, never to the underside, any sealant applied to the underside of the tray will invalidate the guarantee.

**CUSTOMER CARELINE: 01746 713410**

**CORAM SHOWERS LTD**

Stanmore Industrial Estate, Bridgnorth, Shropshire WV15 5HP, UK  
 Tel: 01746 766466 Fax: 01746 764140 www.coram.co.uk

## **Check out our full range of Shower Enclosures**

Quadrant Shower Enclosures

Corner Entry Shower Enclosures

Walk in Shower Enclosures

Sliding Shower Doors

Bifold Shower Doors

Pivot Shower Doors

Hinged Shower Doors

Shower Screens

## **From Top Brands**

Coram Shower Enclosures

Mira Shower Enclosures

Hydrolux Shower Enclosures

Diamond Shower Enclosures

## **With quality shower trays to match your enclosure**

Square Shower Trays

Rectangular Shower Trays

Quadrant Shower Trays

Coram Shower Trays

Mira Flight Shower Trays

**plumbworld**  
**Big brands, small prices.**