

Concept 170cm x 70cm Idealform Spacemaker Shower Bath RH No Taphole

ILLUSTRATED

- E0498** Concept 170cm x 70cm Idealform Spacemaker shower bath with no tapholes, right hand
- E0501** Concept 170cm Spacemaker shower bath front panel
- E3169** Unilux 70cm end panel
- S8970** Trap 1½" plastic P with 75mm seal, multi-purpose outlet suitable for plastic and BS copper pipe
- E1486** Luxury bath pop-up waste and overflow
- A5901** TMV thermostatic mixing valve, 22mm

OPTIONS

- BC707** Cerafine O dual control bath filler
- A7051** Connect Air single lever 2 tap hole bath filler
- BC708** Cerafine O dual control bath shower mixer with shower set
- BD267** Ceraplan single lever bath shower mixer
- A7216** Ceratherm T50 exposed thermostatic shower mixer valve

ILLUSTRATED PRODUCT DETAILS

Weights

- E0498** 21.07 KG
- E0501** 3.25 KG
- E3169** 2.58 KG
- S8970** 1.00 KG
- A5901** 0.60 KG

Materials

- E0498** Idealform
- E0501** High Impact Polystyrene
- E3169** High Impact Polystyrene
- S8970** Plastic
- E1486** Mixed Material
- A5901** Chrome Plated Metal

Finishes

- E0498** White (01)
- E0501** White (01)
- E3169** White (01)
- S8970** Neutral / No Finish (67)
- E1486** Chrome (AA)
- A5901** Chrome (AA)

Capacity

- E0498** 164.0 litres (to overflow)

Designer

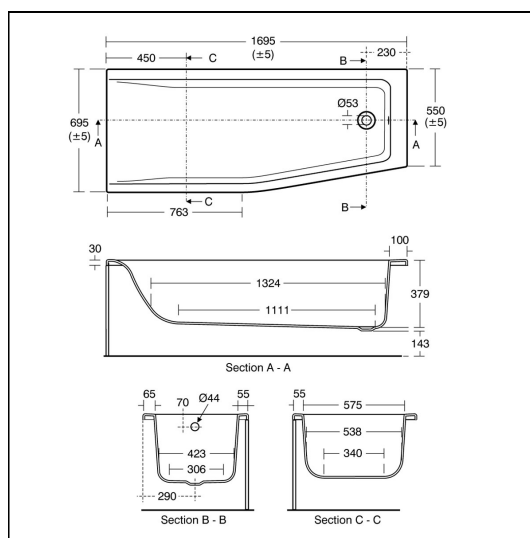
Robin Levien, RDI

Standards

Constructed to EN 198:2008. EN 14516

Special Notes

Consideration should be given to safe hot water delivery and the use of an appropriate temperature reduction device see A5901AA or part G for guidance. one taphole fittings require offsetting from the overflow. Check positioning and compatibility before specifying. Dedicated front panel is unhandled. Suitable for use with Connect bath screens.



FEATURES

