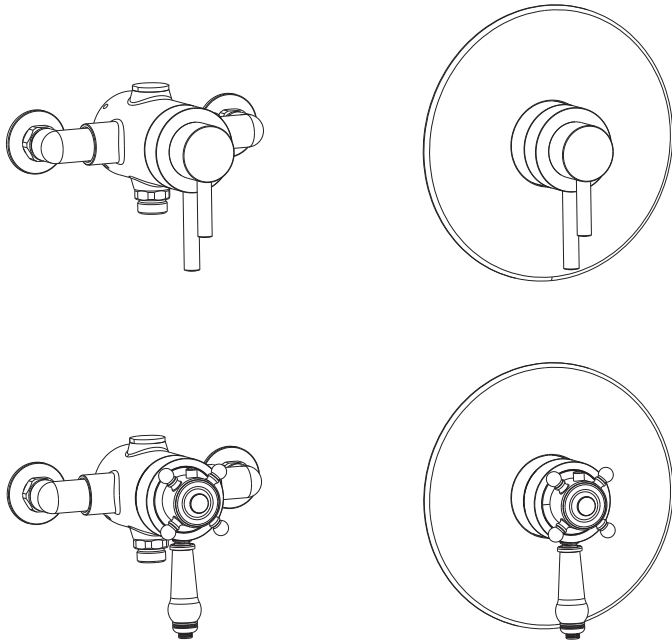


plumbworld

Big brands, small prices.

Concentric Thermostatic Shower Mixer General Installation Instruction



Handle & Plate may vary, depending on model chosen.

Email: customerservices@plumbworld.co.uk

Sales Hotline: 01386 800750

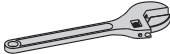


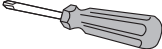
MUST READ – IMPORTANT

We recommend this instruction is read carefully before you start installation. Please retain it after installation for future reference and maintenance.

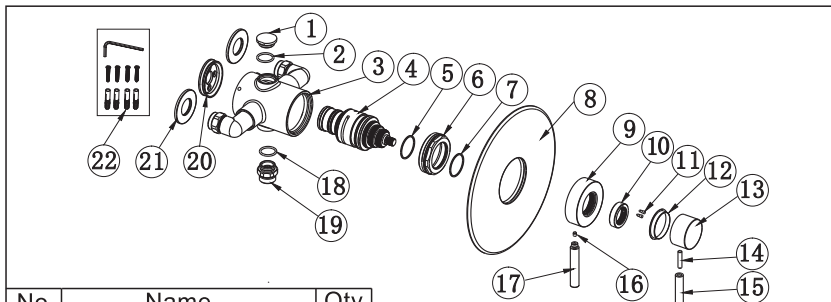
First, open the box and check all items are present as per this instruction. Also make sure any other items that you need are available too e.g. compression fittings, wrench, PTFE tape.

Installation must comply with Local/ National supply regulations/ Authority and byelaws inc. Building and Plumbing regulations.

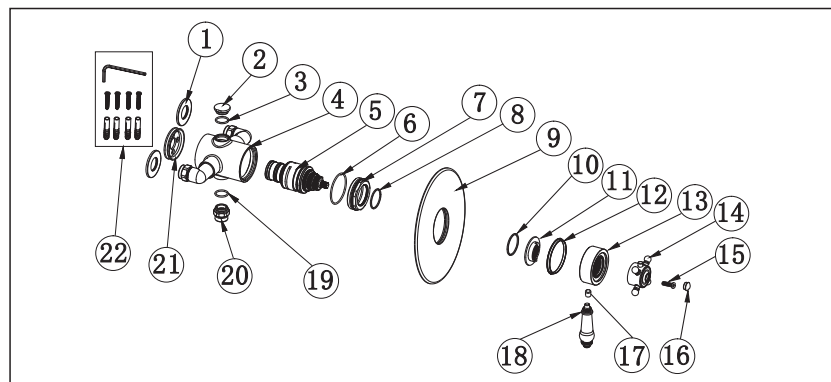
YOU MAY NEED

ASSEMBLY & PARTS LIST



No.	Name	Qty			
1	blanking plug	2	12	handle washer	1
2	O ring	1	13	thermostatic handle	1
3	mixer body	1	14	inner hexagon screw	1
4	thermostatic cartridge	1	15	thermostatic handle lever	1
5	O ring	1	16	inner hexagon screw	1
6	hexagon gland	1	17	flow handle lever	1
7	gasket	1	18	O ring	1
8	plate	1	19	outlet connector	1
9	flow handle	1	20	mounting bracket	1
10	thermostatic control ring	1	21	chrome cover discs	2
11	screw	1	22	fittings bag	1



No.	Name	Qty			
1	chrome cover discs	2	12	handle washer	1
2	blanking plug	1	13	flow handle	1
3	O ring	1	14	thermostatic cross handle	1
4	mixer body	1	15	cross slot screw	1
5	thermostatic cartridge	1	16	cover cap	1
6	O ring	1	17	inner hexagon screw	1
7	hexagon gland	1	18	flow handle lever	1
8	gasket	1	19	O ring	1
9	plate	1	20	outlet connector	1
10	gasket	1	21	mounting bracket	1
11	thermostatic control ring	1	22	fittings bag	1

OPERATING SPECIFICATIONS

Hot Water Supply Temperature

Maximum:85°C

Minimum hot water supply temperature:10°C higher than the maximum required mixer temperature.

Operating Pressures:

Maximum operating pressure 5 bar

Minimum operating pressure 0.5 bar

GENERAL INSTALLATION

This is a mixing system and hot and cold supplies must be reasonably balanced for proper flow (outlet).

Prior to making inlet connections; please ensure all pipes are properly and thoroughly flushed to clear off any debris etc.

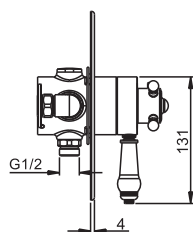
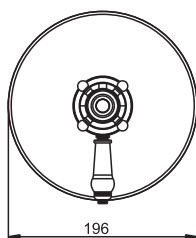
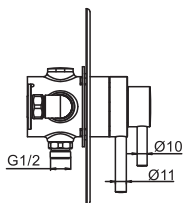
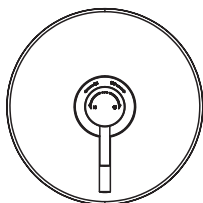
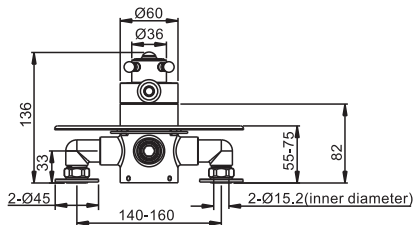
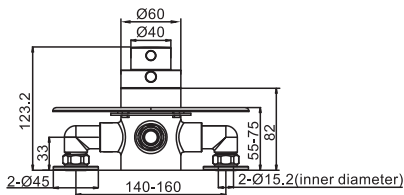
You should satisfy yourself that this is clean. Failure to do so may result in a low flow rate from mixing device.

We strongly recommend fitting of isolating valves to the inlet pipes to assist in future maintenance of the mixer.

Please take great care when installing this mixer not to damage its surface.

Use a reducer to the inlet feeds if water pressure is above 5 bar.

DIMENSIONS

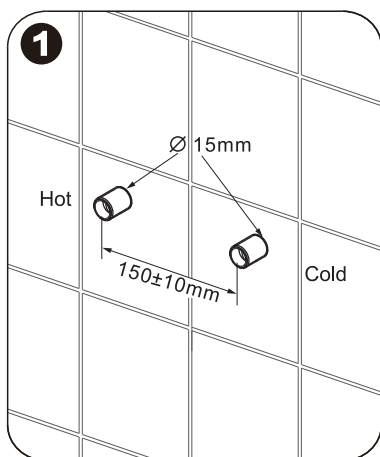


INSTALLATION

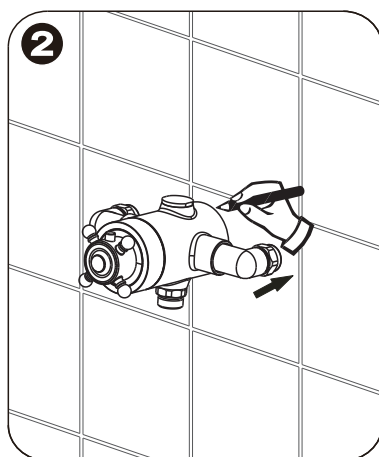
Clear/ Rinse pipework thoroughly and carefully for a reasonable amount of time prior to fitting the valve. No dirt, metal, wood shavings, debris or foreign material should block the filters fitted on the inlets of the mixer.

WARNING: Before drilling any holes, ensure no cables or pipes are in the way.

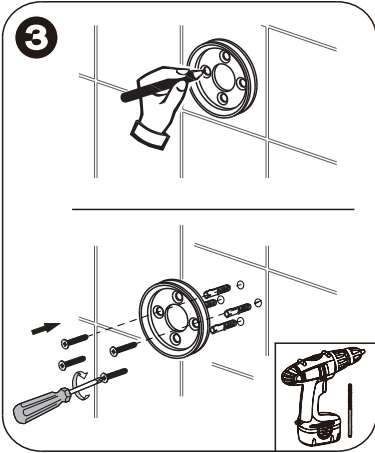
EXPOSED SHOWER INSTALLATION



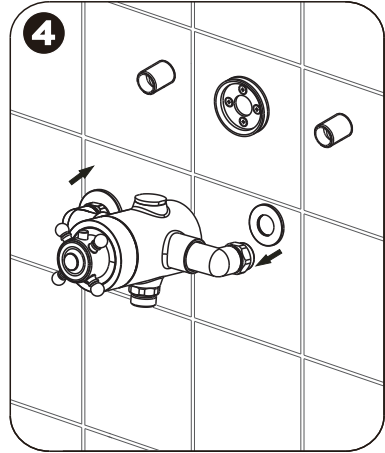
1. Leave $150\pm 10\text{mm}$ between inlet pipework centers and about 18mm out from the finished wall surface.



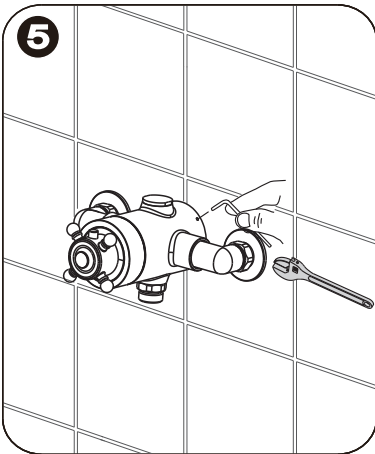
2. Put the shower mixer against the wall and mark the position of the mixer body. Then using a hexagon spanner unlock the securing grub screws to remove the mounting bracket from the shower mixer.



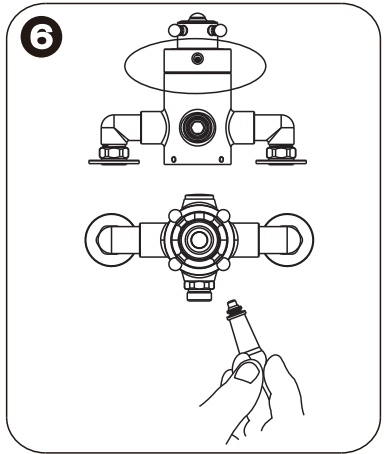
3. Using this mark as a guide mark 4 x fixing holes for the mounting bracket. Drill 4 x holes in the wall then insert the plastic wall plugs and attach the mounting bracket, using the supplied screws. Ensure the bracket is firmly attached to the wall.



4. Place the chrome cover discs over the compression nuts on either side of the shower mixer and align the mixer to the inlet pipes and onto the mounting bracket. (Make sure the red copper rings in compression nuts through the inlet pipes as well).



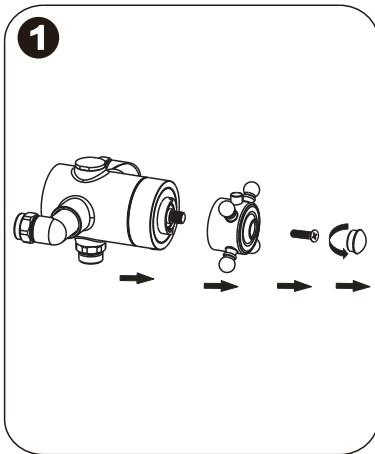
5. Carefully tighten up the compression nuts to hold the mixer in place. Ensure the shower mixer outlet is pointing in the correct direction (with the hot feed on the left side marked with a red indicator). Replace the locking screws to hold the mixer onto the wall bracket.



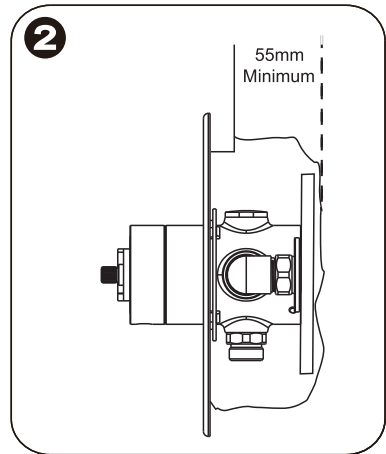
6. Take the separate control lever and screw it into the connection at the bottom of the "on/off" flow control handle, ready for the shower to be used.

7. Turn the flow control handle fully on to start the water flow.
8. Turn the thermostatic handle fully clockwise, this is the maximum cold temperature position, ensure that the water runs cold.
9. Turn the thermostatic handle and press the button to full anti-clockwise, this is the maximum hot temperature position, ensure that the water runs hot.
10. Turn the thermostatic handle back to the central stop position and check that the water temperature settles at 38 Celsius by running the water for 5 minutes.
11. To ensure correct operation check the temperature of the water taken at the normal flow rate after allowing for the water supply system to stabilize.

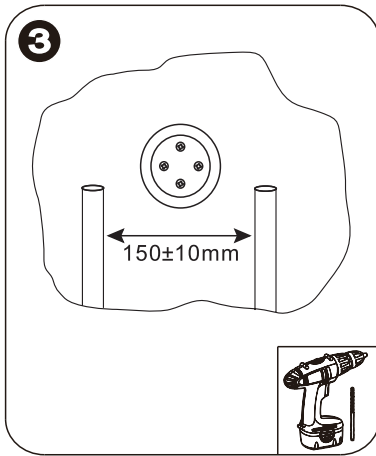
CONCEALED SHOWER INSTALLATION



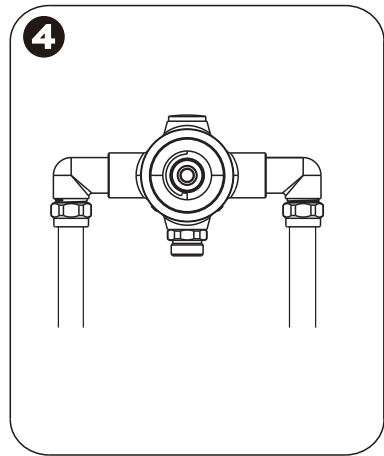
1. Remove the cover cap and screw anti clockwise to take out the handle.



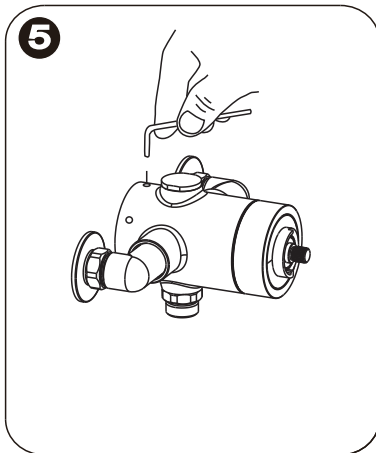
2. The shower control should be installed within the wall or paneled system between 55-75mm behind the finished wall surface.



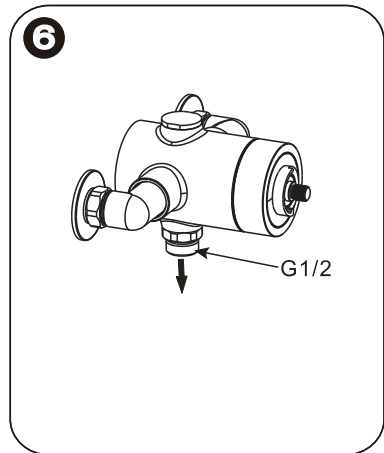
3. Leave $150\pm 10\text{mm}$ between inlet pipework centers as shown. Position the bracket centrally between the pipework and check this fits by holding the mixer. Drill plug and screw the bracket in position.



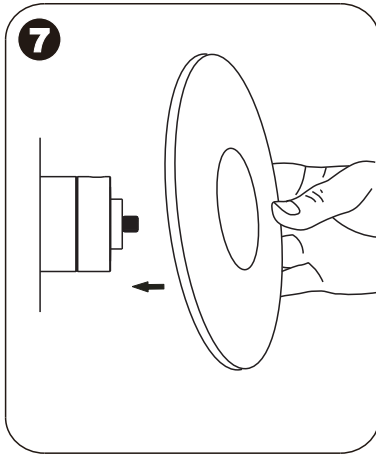
4. Carefully tighten up the compression nuts to hold the mixer in place, (Make sure the red copper rings in compression nuts through the inlet pipes as well).



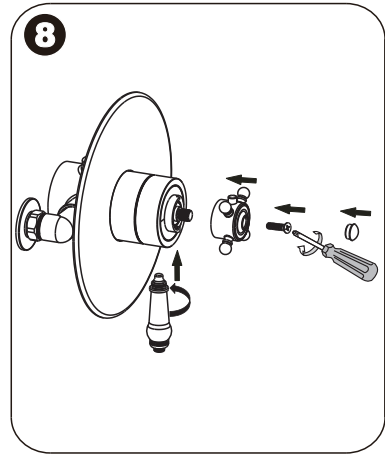
5. Ensure the mixer outlet is pointing in the correct direction (with the hot feed on the left side marked with a red indicator). Replace the locking screws to hold the mixer onto the mounting bracket.



6. A pipe must be fitted from the concealed shower outlet to the location of the head shower or hand shower (not supplied), check to ensure all connections are watertight.



7. Fit the concealing plate by pushing it over the control handle until it is flushed with the finished wall surface. Please note sufficient space should be left behind the concealing plate to allow for maintenance to be carried out.



8. Replace the handle and lever as shown and tighten with screw and replace cover cap.

9. Turn the flow control handle fully on to start the water flow.
10. Turn the thermostatic handle fully clockwise, this is the maximum cold temperature position, ensure that the water runs cold.
11. Turn the thermostatic handle and press the button to full anti-clockwise, this is the maximum hot temperature position, ensure that the water runs hot.
12. Turn the thermostatic handle back to the central stop position and check that the water temperature settles at 38 Celsius by running the water for 5 minutes.
13. To ensure correct operation check the temperature of the water taken at the normal flow rate after allowing for the water supply system to stabilize.

TEMPERATURE RESETTING

These mixers are factory set under balanced pressure with hot supply coming in at 65°Celsius. If your installations are significantly different then the water temperature may vary from setting.

If the difference is too much then we recommend you to calibrate the mixer to suit requirements of your installation as follows:-

1. Turn the thermostatic handle to the stop position, remove cover cap and loosen screw inside handle.
2. Pull the handle from the mixer; DO NOT remove the thermostatic control ring.

3. measure the water temperature on the outlet by thermometer, and turn the inner spindle until the 38 Celsius is achieved (turn the inner spindle anti-clockwise when the water tests colder; turn the inner spindle clockwise when the water tests hotter)
4. Once the temperature has been reached, replace the handle, so that the stop pin inside sits against the control ring.

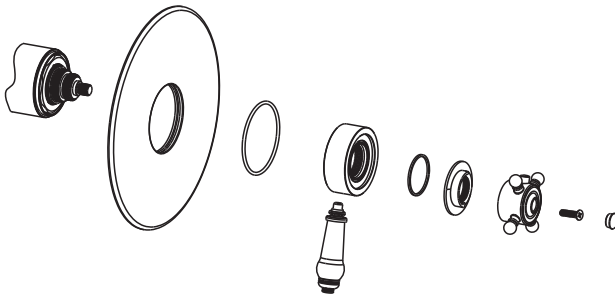
CARE OF THE MIXER

Due care is required to maintain the mixer and care must be taken whilst cleaning for brand new refreshing looks at all times. Cleaning of this item should only be done by using a soft cloth and clean water. Do not use any chemical cleaning products or abrasive items. If above instructions are not adhered to, this will invalidate your guarantees.

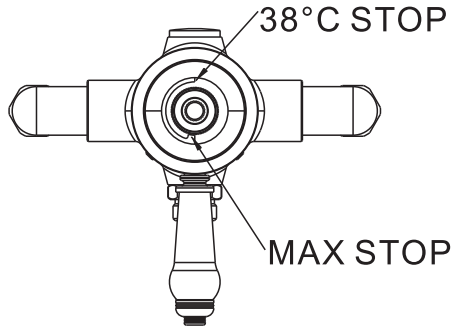
MAINTENANCE

As water quality is different all over, the filters of cartridges and other parts housed inside the mixer may become dirty / clogged which will result in reduced flow and inefficient valve operation.

To clean, please remove the thermostatic cartridge from the housing to clean its filters.



1. Shut off the water supply with isolating valves on both hot/cold inlets.
2. Unscrew the handles by unscrewing the cover and holding screws. And pull out the thermostatic handle, temperature control ring, washer, flow handle and O ring.
3. Now remove the cartridge with a wrench or similar tool.
4. Rinse the filters to remove dirt thoroughly, soak them in a de scaling agent or even vinegar. Do it as thoroughly as possible.
5. The housing of the thermostatic cartridge must also be cleaned thoroughly with a wet cloth. The O rings of the cartridge should be greased too.
6. Now reassemble the cartridge ensuring temperature control ring point to 12o'clock position.



7. Finally, make sure everything is secure and tight. Water supply can now be turned on from the isolating valves.
8. Ensure you are happy with it at this stage, check water temperature and if not ok then calibrate as explained above.

TROUBLE SHOOTING

If you followed the instructions carefully and your mixer still does not work properly, take these corrective steps.

Problem	Possible Cause	Action
Outlet temperature too cold	<ul style="list-style-type: none"> ● No hot water reaching mixer ● Filter block ● If the fault has been present since the mixer was installed it is possible that the inlets were installed incorrectly ● The water supply will be colder in winter months due to outside temperature 	<ul style="list-style-type: none"> ● Check the water supply for any blockages ● Remove filters and clean ● Check installation-Hot on the left /cold on the right ● It may be necessary to adjust the hot supply. i.e. increase the hot water temperature setting on boiler
Outlet temperature too hot	<ul style="list-style-type: none"> ● No cold water reaching mixer ● Filter block ● If the fault has been present since the mixer was installed it is possible that the inlets were installed incorrectly ● The water supply will be hotter in summer months due to outside temperature 	<ul style="list-style-type: none"> ● Check the water supply for any blockages ● Remove filters and clean ● Check installation-Hot on the left /cold on the right ● It may be necessary to adjust the hot supply. i.e. decrease the hot water temperature setting on boiler

<p>Only hot or cold water from valve outlet</p>	<ul style="list-style-type: none"> ● Possible that the inlets have been installed the incorrect way around ● If only cold water is coming out of the mixer it is possible there is a cartridge fault ● Filters blocked 	<ul style="list-style-type: none"> ● Check that the inlets are installed correctly-Hot on the left/cold on the right ● Remove and check the condition of the thermostatic cartridge ● Remove filters and clean
<p>Cannot Adjust temperature</p>	<ul style="list-style-type: none"> ● Possible that the cartridge is sticking due to a lime scale build up ● Over ride temperature manually 	<ul style="list-style-type: none"> ● Remove the thermostatic cartridge and service. ● Remove the temperature handle by removing the end cap and center retaining screw turn the flow of water on fully and turn the cartridge spindle anti-clockwise to increase the water temperature and clockwise to decrease the water temperature
<p>Poor flow rate</p>	<ul style="list-style-type: none"> ● Insufficient water pressure ● Filters partially blocked ● Flow valve not fully opening 	<ul style="list-style-type: none"> ● The required minimum water pressure is 0.5bar(5Mpa) ● Remove filter and clean ● Remove and check the condition of the flow mixer
<p>Water leaking from shower head when the valve is turned off/closed</p>	<ul style="list-style-type: none"> ● This can be normal for a short period of time after the shower has been used ● Check that the pressures do not exceed that stated for the product ● Flow valve leaking 	<ul style="list-style-type: none"> ● N/A ● If pressures are too high adjust as necessary, refer to technical data ● Remove and check the condition of the flow mixer
<p>Water leaking from shower valve /controls</p>	<ul style="list-style-type: none"> ● Leaking from flow mixer ● Leaking from thermostatic cartridge ● Check that the pressures do not exceed that stated for the product 	<ul style="list-style-type: none"> ● Remove and check the condition of the flow mixer. ● Remove and check the condition of the thermostatic cartridge. ● Check that the pressures do not exceed that stated. If pressures are too high adjust as necessary. Refer to technical data